

 **BOEING**
COMPONENT
MAINTENANCE MANUAL

TO: ALL HOLDERS OF NOSE LANDING GEAR ASSEMBLY COMPONENT MAINTENANCE MANUAL
32-21-21

REVISION NO. 48 DATED NOV 01/05

HIGHLIGHTS

Pages which have been added or revised are outlined below together with the highlights of the revision. Remove and insert the affected pages as listed and enter Revision No. and date on the Record of Revision Sheet.

CHAPTER/SECTION

AND PAGE NO.

DESCRIPTION OF CHANGE

REPAIR 8-1

Added clarifications and updated callouts.

601-602,604-606

703,713

1009,1066E,1066M,10840,

1086G,1086N,1086S,1088,

1088H,1088M,1088R

REPAIR 8-1

Added refinish of rod 69B81787-12.

603

713

Identified the brackets that hold the 284T0268-series sensors.

1010-1042J,1084J

714

Added cotter pins for bolts (155, 160, IPL Fig. 5).

1010-1042J,1084K,1086D

1010-1042J,1072,1072W

Added washer and nut for clamp (87, IPL Fig. 4).

1070K

Changed usage of lever 257T4402-6.

1072A

Changed the direction of clamp (323, IPL Fig. 4).

32-21-21

HIGHLIGHTS

01.1

Page 1

Nov 01/05

NOSE LANDING GEAR ASSEMBLY

PART NUMBERS 162T0000-203 THRU -222,
-224 THRU -248,-250,
-251,-255,-256,
-262 THRU -270,-272,
-274 THRU -277,
-279 THRU -283,-287,
-290,-291,-294,-300,
-306 THRU -321,-333,
-334,-337,-340,-341,
-344 THRU -352,-354,
-355,-357,-358,-369,
-376,-377,-379

COMPONENT MAINTENANCE MANUAL
WITH
ILLUSTRATED PARTS LIST

32-21-21

TITLE PAGE

Page 1

Dec 01/97

01.1



REVISION RECORD

- Retain this record in front of manual. On receipt of revision, insert revised pages in the manual, and enter revision number, date inserted and initial.

REVISION NUMBER	REVISION DATE	DATE FILED	BY	REVISION NUMBER	REVISION DATE	DATE FILED	BY


BOEING
 COMPONENT
 MAINTENANCE MANUAL
TEMPORARY REVISION AND SERVICE BULLETIN RECORD

BOEING SERVICE BULLETIN	BOEING TEMPORARY REVISION	OTHER DIRECTIVE	DATE OF INCORPORATION INTO MANUAL
		PRR VDCT0117	OCT 10/82
		PRR B10402	OCT 10/82
		PRR B10576	OCT 10/82
		MC B1290-001	OCT 10/82
		PRR VDCT0117-1	JUL 10/83
		PRR VDCT0235	JUL 10/83
		PRR B10937	JUL 10/83
		MC B1324-003	JAN 10/84
		MC B1324-004	JAN 10/84
32-1		PRR B10728	JAN 10/84
32-29		PRR B11189	OCT 10/85
32-29		PRR B11255	JUL 10/85
		PRR C12242	JUL 10/85
32-37		MC B1322-001K	JUL 10/85
		MC B1322-002	JUL 10/85
		PRR B11410	JAN 10/86
		PRR C12528	JAN 10/86
		PRR B11570	JAN 10/87
32-0056			JUL 01/88
32-0066R2		PRR B11682	JAN 01/92
32-0067		PRR B11765	APR 01/90
		PRR C12338	APR 01/90
		PRR C12071-4	APR 01/90
		PRR B12042	OCT 01/90
		PRR B11850	OCT 01/90
		PRR B11857	OCT 01/90
		PRR B12025	OCT 01/90
		PRR B11970	OCT 01/90
		MC 3221MP6001	OCT 01/90
32-0085		MC 3245MP6033	JAN 01/91
		PRR B11992	JAN 01/92
		PRR B12071	JAN 01/92
		RRB 41033-17	JAN 01/92
		MC3245MP6054	JAN 01/92
		PRR B11750-171	JAN 01/92

32-21-21

TR & SB RECORD

01.101

Page 1

Dec 01/97

BOEING SERVICE BULLETIN	BOEING TEMPORARY REVISION	OTHER DIRECTIVE	DATE OF INCORPORATION INTO MANUAL
32-0104		MC 3244MK6007 MC 3245MP6026 MC 3342MP6009 MC 0310MP6091 MC 3245MP6065 MC 3245MP6070 MC 3245MK6072 PRR B12709 PRR B12900-128 MC 3240MP6013K RR 41001-036	JAN 01/93 JUL 01/93 OCT 01/93 JUN 01/94 JUN 01/94 DEC 01/95 SEP 01/96 DEC 01/96 DEC 01/97 NOV 01/99 NOV 01/99

32-21-21

TR & SB RECORD

01.1

Page 2

Nov 01/99


BOEING
 COMPONENT
 MAINTENANCE MANUAL

PAGE	DATE	CODE	PAGE	DATE	CODE
32-21-21			CHECK		
			501	NOV 01/04	01.1
			502	BLANK	
TITLE PAGE			REPAIR-GENERAL		
1	DEC 01/97	01.1	601	JUL 01/03	01.1
2	BLANK		602	NOV 01/04	01.1
REVISION RECORD			603	NOV 01/04	01.1
1	JUL 10/83	01	604	BLANK	
2	BLANK		REPAIR 1-1		
TR & SB RECORD			601	JUL 10/85	01.1
1	DEC 01/97	01.101	602	MAR 01/04	01.1
2	NOV 01/99	01.1	REPAIR 1-2		
LIST OF EFFECTIVE PAGES			601	JAN 01/93	01.1
*1	NOV 01/05	01	602	NOV 01/04	01.1
THRU LAST PAGE			603	MAR 01/04	01.1
CONTENTS			604	MAR 01/04	01.1
1	JUL 10/83	01	605	JAN 01/93	01.101
2	BLANK		606	JUN 01/94	01.1
INTRODUCTION			607	JUN 01/94	01.1
1	JUL 10/85	01.101	608	JAN 01/93	01.1
2	BLANK		REPAIR 2-1		
DESCRIPTION & OPERATION			601	SEP 01/97	01.1
1	APR 01/90	01.1	602	BLANK	
2	BLANK		REPAIR 3-1		
DISASSEMBLY			601	MAR 01/04	01.1
301	APR 01/90	01.1	602	MAR 01/04	01.1
302	JUL 01/05	01.1	REPAIR 3-2		
303	JAN 01/91	01.1	601	JUL 01/99	01.1
304	BLANK		602	JUL 01/99	01.1
CLEANING			603	MAR 01/04	01.1
401	JUL 10/83	01	604	JUL 10/83	01
402	BLANK		605	MAR 01/04	01.1
			606	JUL 01/99	01.1

* = REVISED, ADDED OR DELETED

32-21-21
 EFFECTIVE PAGES
 CONTINUED Page 1
 01 Nov 01/05

PAGE	DATE	CODE	PAGE	DATE	CODE
REPAIR 4-1			REPAIR 7-1		
601	NOV 01/04	01.1	601	MAR 01/00	01.1
602	JUN 01/94	01.1	602	JUL 10/83	01
REPAIR 4-2			REPAIR 7-2		
601	JUN 01/94	01.1	601	JAN 01/92	01.1
602	JUL 01/98	01.1	602	BLANK	
603	JUL 01/98	01.1	REPAIR 8-1		
604	JUL 01/98	01.101	*601	NOV 01/05	01.1
605	JUL 01/98	01.101	*602	NOV 01/05	01.1
606	BLANK		*603	NOV 01/05	01.1
REPAIR 5-1			*604	NOV 01/05	01.1
601	JUN 01/96	01.1	*605	NOV 01/05	01.1
602	BLANK		*606	NOV 01/05	01.1
REPAIR 5-2			REPAIR 9-1		
601	SEP 01/97	01.1	601	NOV 01/04	01.1
602	JUN 01/96	01.1	602	BLANK	
603	JUN 01/96	01.1	REPAIR 10-1		
604	JUN 01/96	01.1	601	SEP 01/95	01.1
REPAIR 6-1			602	SEP 01/95	01.1
601	NOV 01/04	01.1	REPAIR 11-1		
602	JUN 01/96	01.1	601	NOV 01/98	01.1
REPAIR 6-2			602	JAN 01/93	01.1
601	NOV 01/03	01.1	REPAIR 12-1		
602	NOV 01/04	01.1	601	MAR 01/04	01.1
603	MAR 01/00	01.1	602	MAR 01/04	01.1
604	MAR 01/00	01.1	603	MAR 01/04	01.1
605	MAR 01/00	01.1	604	BLANK	
606	NOV 01/04	01.1	REPAIR 13-1		
607	MAR 01/00	01.1	601	JUL 01/03	01.1
608	MAR 01/00	01.1	602	JUL 01/03	01.1
609	MAR 01/00	01.1	603	JUL 01/03	01.1
610	MAR 01/00	01.1	604	BLANK	
611	JUL 01/02	01.1			
612	BLANK				

* = REVISED, ADDED OR DELETED

32-21-21

EFFECTIVE PAGES
 CONTINUED Page 2
 01 Nov 01/05


BOEING
 COMPONENT
 MAINTENANCE MANUAL

PAGE	DATE	CODE	PAGE	DATE	CODE
REPAIR 14-1			SPECIAL TOOLS		
601	MAR 01/04	01.1	901	APR 01/90	01.1
602	MAR 01/04	01.1	902	BLANK	
603	MAR 01/04	01.1	ILLUSTRATED PARTS LIST		
604	BLANK		1001	JUL 10/83	01
ASSEMBLY			1002	NOV 01/99	01.1
701	NOV 01/04	01.1	1003	NOV 01/99	01.1
702	NOV 01/04	01.1	1004	NOV 01/99	01.1
*703	NOV 01/05	01.1	1005	NOV 01/99	01.1
704	NOV 01/04	01.1	1006	NOV 01/99	01.1
705	MAR 01/00	01.1	1007	NOV 01/99	01.1
706	MAR 01/04	01.1	1008	NOV 01/99	01.1
707	MAR 01/00	01.101	*1009	NOV 01/05	01.1
708	JUL 01/03	01.1	*1010	NOV 01/05	01.1
709	NOV 01/04	01.1	*1011	NOV 01/05	01.1
710	JUL 01/03	01.1	*1012	NOV 01/05	01.1
711	JUL 01/04	01.1	*1013	NOV 01/05	01.1
712	JUL 01/04	01.1	*1014	NOV 01/05	01.1
*713	NOV 01/05	01.1	*1015	NOV 01/05	01.1
*714	NOV 01/05	01.1	*1016	NOV 01/05	01.1
715	JUL 01/04	01.1	*1017	NOV 01/05	01.1
716	JUL 01/04	01.1	*1018	NOV 01/05	01.1
717	NOV 01/04	01.1	*1019	NOV 01/05	01.1
718	JUL 01/04	01.101	*1020	NOV 01/05	01.1
719	JUL 01/04	01.101	*1021	NOV 01/05	01.1
720	JUL 01/04	01.101	*1022	NOV 01/05	01.1
721	JUL 01/04	01.101	*1023	NOV 01/05	01.1
722	JUL 01/04	01.101	*1024	NOV 01/05	01.1
723	JUL 01/04	01.101	*1025	NOV 01/05	01.1
724	JUL 01/04	01.101	*1026	NOV 01/05	01.1
725	JUL 01/04	01.101	*1027	NOV 01/05	01.1
726	JUL 01/04	01.101	*1028	NOV 01/05	01.1
727	JUL 01/04	01.101	*1029	NOV 01/05	01.1
728	JUL 01/04	01.101	*1030	NOV 01/05	01.1
FITS AND CLEARANCES			*1031	NOV 01/05	01.1
801	SEP 01/97	01.1	*1032	NOV 01/05	01.1
802	MAR 01/04	01.1	*1033	NOV 01/05	01.1
803	MAR 01/04	01.1	*1034	NOV 01/05	01.1
804	JUL 10/83	01.1	*1035	NOV 01/05	01.1
			*1036	NOV 01/05	01.1
			*1037	NOV 01/05	01.1
			*1038	NOV 01/05	01.1

* = REVISED, ADDED OR DELETED

32-21-21

 EFFECTIVE PAGES
 CONTINUED Page 3
 01 Nov 01/05

PAGE	DATE	CODE	PAGE	DATE	CODE
ILLUSTRATED PARTS LIST		CONT.	ILLUSTRATED PARTS LIST		CONT.
*1039	NOV 01/05	01.1	*1042M	NOV 01/05	01.101
*1040	NOV 01/05	01.1	*1042N	NOV 01/05	01.101
*1040A	NOV 01/05	01.1	*1042O	NOV 01/05	01.101
*1040B	NOV 01/05	01.1	*1042P	NOV 01/05	01.101
*1040C	NOV 01/05	01.1	*1042Q	NOV 01/05	01.101
*1040D	NOV 01/05	01.1	*1042R	NOV 01/05	01.101
*1040E	NOV 01/05	01.1	*1042S	NOV 01/05	01.101
*1040F	NOV 01/05	01.1	*1042T	NOV 01/05	01.101
*1040G	NOV 01/05	01.1	*1042U	NOV 01/05	01.101
*1040H	NOV 01/05	01.1	*1042V	NOV 01/05	01.101
*1040I	NOV 01/05	01.1	*1042W	NOV 01/05	01.101
*1040J	NOV 01/05	01.1	*1042X	NOV 01/05	01.101
*1040K	NOV 01/05	01.1	*1042Y	NOV 01/05	01.101
*1040L	NOV 01/05	01.1	*1042Z	NOV 01/05	01.101
*1040M	NOV 01/05	01.1	*1043	NOV 01/05	01.101
*1040N	NOV 01/05	01.1	*1044	NOV 01/05	01.101
*1040O	NOV 01/05	01.1	*1044A	NOV 01/05	01.101
*1040P	NOV 01/05	01.1	*1044B	NOV 01/05	01.101
*1040Q	NOV 01/05	01.1	*1044C	NOV 01/05	01.101
*1040R	NOV 01/05	01.1	*1044D	NOV 01/05	01.101
*1040S	NOV 01/05	01.1	*1044E	NOV 01/05	01.101
*1040T	NOV 01/05	01.1	*1044F	NOV 01/05	01.101
*1040U	NOV 01/05	01.1	*1044G	NOV 01/05	01.101
*1040V	NOV 01/05	01.1	*1044H	NOV 01/05	01.101
*1040W	NOV 01/05	01.1	*1044I	NOV 01/05	01.101
*1040X	NOV 01/05	01.1	*1044J	NOV 01/05	01.101
*1040Y	NOV 01/05	01.1	*1044K	NOV 01/05	01.101
*1040Z	NOV 01/05	01.1	*1044L	NOV 01/05	01.101
*1041	NOV 01/05	01.1	*1044M	NOV 01/05	01.101
*1042	NOV 01/05	01.1	*1044N	NOV 01/05	01.101
*1042A	NOV 01/05	01.1	*1044O	NOV 01/05	01.101
*1042B	NOV 01/05	01.1	*1044P	NOV 01/05	01.101
*1042C	NOV 01/05	01.1	*1044Q	NOV 01/05	01.101
*1042D	NOV 01/05	01.1	*1044R	NOV 01/05	01.101
*1042E	NOV 01/05	01.1	*1044S	NOV 01/05	01.101
*1042F	NOV 01/05	01.1	*1044T	NOV 01/05	01.101
*1042G	NOV 01/05	01.1	*1044U	NOV 01/05	01.101
*1042H	NOV 01/05	01.1	*1044V	NOV 01/05	01.101
*1042I	NOV 01/05	01.1	*1044W	NOV 01/05	01.101
*1042J	NOV 01/05	01.1	*1044X	NOV 01/05	01.101
*1042K	NOV 01/05	01.101	*1044Y	NOV 01/05	01.101
*1042L	NOV 01/05	01.101	*1044Z	NOV 01/05	01.101

* = REVISED, ADDED OR DELETED

32-21-21

 EFFECTIVE PAGES
 CONTINUED Page 4
 01 Nov 01/05


BOEING
 COMPONENT
 MAINTENANCE MANUAL

PAGE	DATE	CODE	PAGE	DATE	CODE
ILLUSTRATED PARTS LIST		CONT.	ILLUSTRATED PARTS LIST		CONT.
*1045	NOV 01/05	01.101	*1048M	NOV 01/05	01.101
*1046	NOV 01/05	01.101	*1048N	NOV 01/05	01.101
*1046A	NOV 01/05	01.101	*1048O	NOV 01/05	01.101
*1046B	NOV 01/05	01.101	*1048P	NOV 01/05	01.101
*1046C	NOV 01/05	01.101	*1048Q	NOV 01/05	01.101
*1046D	NOV 01/05	01.101	*1048R	NOV 01/05	01.101
*1046E	NOV 01/05	01.101	*1048S	NOV 01/05	01.101
*1046F	NOV 01/05	01.101	*1048T	NOV 01/05	01.101
*1046G	NOV 01/05	01.101	*1048U	NOV 01/05	01.101
*1046H	NOV 01/05	01.101	*1048V	NOV 01/05	01.101
*1046I	NOV 01/05	01.101	*1048W	NOV 01/05	01.101
*1046J	NOV 01/05	01.101	*1048X	NOV 01/05	01.101
*1046K	NOV 01/05	01.101	*1048Y	NOV 01/05	01.101
*1046L	NOV 01/05	01.101	*1048Z	NOV 01/05	01.101
*1046M	NOV 01/05	01.101	*1049	NOV 01/05	01.101
*1046N	NOV 01/05	01.101	*1050	NOV 01/05	01.101
*1046O	NOV 01/05	01.101	*1050A	NOV 01/05	01.101
*1046P	NOV 01/05	01.101	*1050B	NOV 01/05	01.101
*1046Q	NOV 01/05	01.101	*1050C	NOV 01/05	01.101
*1046R	NOV 01/05	01.101	*1050D	NOV 01/05	01.101
*1046S	NOV 01/05	01.101	*1050E	NOV 01/05	01.101
*1046T	NOV 01/05	01.101	*1050F	NOV 01/05	01.101
*1046U	NOV 01/05	01.101	*1050G	NOV 01/05	01.101
*1046V	NOV 01/05	01.101	*1050H	NOV 01/05	01.101
*1046W	NOV 01/05	01.101	*1050I	NOV 01/05	01.101
*1046X	NOV 01/05	01.101	*1050J	NOV 01/05	01.101
*1046Y	NOV 01/05	01.101	*1050K	NOV 01/05	01.101
*1046Z	NOV 01/05	01.101	*1050L	NOV 01/05	01.101
*1047	NOV 01/05	01.101	*1050M	NOV 01/05	01.101
*1048	NOV 01/05	01.101	*1050N	NOV 01/05	01.101
*1048A	NOV 01/05	01.101	*1050O	NOV 01/05	01.101
*1048B	NOV 01/05	01.101	*1050P	NOV 01/05	01.101
*1048C	NOV 01/05	01.101	*1050Q	NOV 01/05	01.101
*1048D	NOV 01/05	01.101	*1050R	NOV 01/05	01.101
*1048E	NOV 01/05	01.101	*1050S	NOV 01/05	01.101
*1048F	NOV 01/05	01.101	*1050T	NOV 01/05	01.101
*1048G	NOV 01/05	01.101	*1050U	NOV 01/05	01.101
*1048H	NOV 01/05	01.101	*1050V	NOV 01/05	01.101
*1048I	NOV 01/05	01.101	*1050W	NOV 01/05	01.101
*1048J	NOV 01/05	01.101	*1050X	NOV 01/05	01.101
*1048K	NOV 01/05	01.101	*1050Y	NOV 01/05	01.101
*1048L	NOV 01/05	01.101	*1050Z	NOV 01/05	01.101

* = REVISED, ADDED OR DELETED

32-21-21

EFFECTIVE PAGES

CONTINUED Page 5

01 Nov 01/05

PAGE	DATE	CODE	PAGE	DATE	CODE
ILLUSTRATED PARTS LIST		CONT.	ILLUSTRATED PARTS LIST		CONT.
*1051	NOV 01/05	01.101	*1054M	NOV 01/05	01.101
*1052	NOV 01/05	01.101	*1054N	NOV 01/05	01.101
*1052A	NOV 01/05	01.101	*1054O	NOV 01/05	01.101
*1052B	NOV 01/05	01.101	*1054P	NOV 01/05	01.101
*1052C	NOV 01/05	01.101	*1054Q	NOV 01/05	01.101
*1052D	NOV 01/05	01.101	*1054R	NOV 01/05	01.101
*1052E	NOV 01/05	01.101	*1054S	NOV 01/05	01.101
*1052F	NOV 01/05	01.101	*1054T	NOV 01/05	01.101
*1052G	NOV 01/05	01.101	*1054U	NOV 01/05	01.101
*1052H	NOV 01/05	01.101	*1054V	NOV 01/05	01.101
*1052I	NOV 01/05	01.101	*1054W	NOV 01/05	01.101
*1052J	NOV 01/05	01.101	*1054X	NOV 01/05	01.101
*1052K	NOV 01/05	01.101	*1054Y	NOV 01/05	01.101
*1052L	NOV 01/05	01.101	*1054Z	NOV 01/05	01.101
*1052M	NOV 01/05	01.101	*1055	NOV 01/05	01.101
*1052N	NOV 01/05	01.101	*1056	NOV 01/05	01.101
*1052O	NOV 01/05	01.101	*1056A	NOV 01/05	01.101
*1052P	NOV 01/05	01.101	*1056B	NOV 01/05	01.101
*1052Q	NOV 01/05	01.101	*1056C	NOV 01/05	01.101
*1052R	NOV 01/05	01.101	*1056D	NOV 01/05	01.101
*1052S	NOV 01/05	01.101	*1056E	NOV 01/05	01.101
*1052T	NOV 01/05	01.101	*1056F	NOV 01/05	01.101
*1052U	NOV 01/05	01.101	*1056G	NOV 01/05	01.101
*1052V	NOV 01/05	01.101	*1056H	NOV 01/05	01.101
*1052W	NOV 01/05	01.101	*1056I	NOV 01/05	01.101
*1052X	NOV 01/05	01.101	*1056J	NOV 01/05	01.101
*1052Y	NOV 01/05	01.101	*1056K	NOV 01/05	01.101
*1052Z	NOV 01/05	01.101	*1056L	NOV 01/05	01.101
*1053	NOV 01/05	01.101	*1056M	NOV 01/05	01.101
*1054	NOV 01/05	01.101	*1056N	NOV 01/05	01.101
*1054A	NOV 01/05	01.101	*1056O	NOV 01/05	01.101
*1054B	NOV 01/05	01.101	*1056P	NOV 01/05	01.101
*1054C	NOV 01/05	01.101	*1056Q	NOV 01/05	01.101
*1054D	NOV 01/05	01.101	*1056R	NOV 01/05	01.101
*1054E	NOV 01/05	01.101	*1056S	NOV 01/05	01.101
*1054F	NOV 01/05	01.101	*1056T	NOV 01/05	01.101
*1054G	NOV 01/05	01.101	*1056U	NOV 01/05	01.101
*1054H	NOV 01/05	01.101	*1056V	NOV 01/05	01.101
*1054I	NOV 01/05	01.101	*1056W	NOV 01/05	01.101
*1054J	NOV 01/05	01.101	*1056X	NOV 01/05	01.101
*1054K	NOV 01/05	01.101	*1056Y	NOV 01/05	01.101
*1054L	NOV 01/05	01.101	*1056Z	NOV 01/05	01.101

* = REVISED, ADDED OR DELETED

32-21-21

EFFECTIVE PAGES
CONTINUED Page 6
01 Nov 01/05


BOEING
 COMPONENT
 MAINTENANCE MANUAL

PAGE	DATE	CODE	PAGE	DATE	CODE
ILLUSTRATED PARTS LIST		CONT.	ILLUSTRATED PARTS LIST		CONT.
*1057	NOV 01/05	01.101	*1060M	NOV 01/05	01.101
*1058	NOV 01/05	01.101	*1060N	NOV 01/05	01.101
*1058A	NOV 01/05	01.101	*1060O	NOV 01/05	01.101
*1058B	NOV 01/05	01.101	*1060P	NOV 01/05	01.101
*1058C	NOV 01/05	01.101	*1060Q	NOV 01/05	01.101
*1058D	NOV 01/05	01.101	*1060R	NOV 01/05	01.101
*1058E	NOV 01/05	01.101	*1060S	NOV 01/05	01.101
*1058F	NOV 01/05	01.101	*1060T	NOV 01/05	01.101
*1058G	NOV 01/05	01.101	*1060U	NOV 01/05	01.101
*1058H	NOV 01/05	01.101	*1060V	NOV 01/05	01.101
*1058I	NOV 01/05	01.101	*1060W	NOV 01/05	01.101
*1058J	NOV 01/05	01.101	*1060X	NOV 01/05	01.101
*1058K	NOV 01/05	01.101	*1060Y	NOV 01/05	01.101
*1058L	NOV 01/05	01.101	*1060Z	NOV 01/05	01.101
*1058M	NOV 01/05	01.101	*1061	NOV 01/05	01.101
*1058N	NOV 01/05	01.101	*1062	BLANK	
*1058O	NOV 01/05	01.101	*1062A	NOV 01/05	01.101
*1058P	NOV 01/05	01.101	*1062B	NOV 01/05	01.101
*1058Q	NOV 01/05	01.101	*1062C	NOV 01/05	01.101
*1058R	NOV 01/05	01.101	*1062D	NOV 01/05	01.101
*1058S	NOV 01/05	01.101	*1062E	NOV 01/05	01.101
*1058T	NOV 01/05	01.101	*1062F	NOV 01/05	01.101
*1058U	NOV 01/05	01.101	*1062G	NOV 01/05	01.101
*1058V	NOV 01/05	01.101	*1062H	NOV 01/05	01.101
*1058W	NOV 01/05	01.101	*1062I	NOV 01/05	01.101
*1058X	NOV 01/05	01.101	*1062J	NOV 01/05	01.101
*1058Y	NOV 01/05	01.101	*1062K	NOV 01/05	01.101
*1058Z	NOV 01/05	01.101	*1062L	NOV 01/05	01.101
*1059	NOV 01/05	01.101	*1062M	NOV 01/05	01.101
*1060	NOV 01/05	01.101	*1062N	NOV 01/05	01.101
*1060A	NOV 01/05	01.101	*1062O	NOV 01/05	01.101
*1060B	NOV 01/05	01.101	*1062P	NOV 01/05	01.101
*1060C	NOV 01/05	01.101	*1062Q	NOV 01/05	01.101
*1060D	NOV 01/05	01.101	*1062R	NOV 01/05	01.101
*1060E	NOV 01/05	01.101	*1062S	NOV 01/05	01.101
*1060F	NOV 01/05	01.101	*1062T	NOV 01/05	01.101
*1060G	NOV 01/05	01.101	*1062U	NOV 01/05	01.101
*1060H	NOV 01/05	01.101	*1062V	NOV 01/05	01.101
*1060I	NOV 01/05	01.101	*1062W	NOV 01/05	01.101
*1060J	NOV 01/05	01.101	*1062X	NOV 01/05	01.101
*1060K	NOV 01/05	01.101	*1062Y	NOV 01/05	01.101
*1060L	NOV 01/05	01.101	*1062Z	NOV 01/05	01.101

* = REVISED, ADDED OR DELETED

32-21-21EFFECTIVE PAGES
CONTINUED Page 7
01 Nov 01/05

PAGE	DATE	CODE	PAGE	DATE	CODE
ILLUSTRATED PARTS LIST		CONT.	ILLUSTRATED PARTS LIST		CONT.
*1063	NOV 01/05	01.101	*1066M	NOV 01/05	01.1
*1064	NOV 01/05	01.101	*1066N	NOV 01/05	01.101
*1064A	NOV 01/05	01.101	*1066O	NOV 01/05	01.101
*1064B	NOV 01/05	01.101	*1066P	NOV 01/05	01.101
*1064C	NOV 01/05	01.101	*1066Q	NOV 01/05	01.101
*1064D	NOV 01/05	01.101	*1066R	NOV 01/05	01.101
*1064E	NOV 01/05	01.101	*1066S	NOV 01/05	01.101
*1064F	NOV 01/05	01.101	*1066T	NOV 01/05	01.101
*1064G	NOV 01/05	01.101	*1066U	NOV 01/05	01.101
*1064H	NOV 01/05	01.101	*1066V	NOV 01/05	01.101
*1064I	NOV 01/05	01.101	*1066W	NOV 01/05	01.101
*1064J	NOV 01/05	01.101	*1066X	NOV 01/05	01.101
*1064K	NOV 01/05	01.101	*1066Y	NOV 01/05	01.101
*1064L	NOV 01/05	01.101	*1066Z	NOV 01/05	01.101
*1064M	NOV 01/05	01.101	*1067	NOV 01/05	01.101
*1064N	NOV 01/05	01.101	*1068	NOV 01/05	01.101
*1064O	NOV 01/05	01.101	*1068A	NOV 01/05	01.101
*1064P	NOV 01/05	01.101	*1068B	NOV 01/05	01.101
*1064Q	NOV 01/05	01.101	*1068C	NOV 01/05	01.101
*1064R	NOV 01/05	01.101	*1068D	NOV 01/05	01.101
*1064S	NOV 01/05	01.101	*1068E	NOV 01/05	01.101
*1064T	NOV 01/05	01.101	*1068F	NOV 01/05	01.101
*1064U	NOV 01/05	01.101	*1068G	NOV 01/05	01.101
*1064V	NOV 01/05	01.101	*1068H	NOV 01/05	01.101
*1064W	NOV 01/05	01.101	*1068I	NOV 01/05	01.101
*1064X	NOV 01/05	01.101	*1068J	NOV 01/05	01.101
*1064Y	NOV 01/05	01.101	*1068K	NOV 01/05	01.101
*1064Z	NOV 01/05	01.101	*1068L	NOV 01/05	01.101
*1065	NOV 01/05	01.101	*1068M	NOV 01/05	01.101
*1066	NOV 01/05	01.101	*1068N	NOV 01/05	01.101
*1066A	NOV 01/05	01.101	*1068O	NOV 01/05	01.101
*1066B	NOV 01/05	01.101	*1068P	NOV 01/05	01.101
*1066C	NOV 01/05	01.101	*1068Q	NOV 01/05	01.101
*1066D	NOV 01/05	01.101	*1068R	NOV 01/05	01.101
*1066E	NOV 01/05	01.1	*1068S	NOV 01/05	01.101
*1066F	NOV 01/05	01.101	*1068T	NOV 01/05	01.101
*1066G	NOV 01/05	01.101	*1068U	NOV 01/05	01.101
*1066H	NOV 01/05	01.101	*1068V	NOV 01/05	01.101
*1066I	NOV 01/05	01.101	*1068W	NOV 01/05	01.101
*1066J	NOV 01/05	01.101	*1068X	NOV 01/05	01.101
*1066K	NOV 01/05	01.101	*1068Y	NOV 01/05	01.101
*1066L	NOV 01/05	01.101	*1068Z	NOV 01/05	01.101

* = REVISED, ADDED OR DELETED

32-21-21

EFFECTIVE PAGES
CONTINUED Page 8
01 Nov 01/05


BOEING
 COMPONENT
 MAINTENANCE MANUAL

PAGE	DATE	CODE	PAGE	DATE	CODE
ILLUSTRATED PARTS LIST		CONT.	ILLUSTRATED PARTS LIST		CONT.
*1069	NOV 01/05	01.101	*1072M	NOV 01/05	01.101
*1070	NOV 01/05	01.101	*1072N	NOV 01/05	01.101
*1070A	NOV 01/05	01.101	*1072O	NOV 01/05	01.101
*1070B	NOV 01/05	01.101	*1072P	NOV 01/05	01.101
*1070C	NOV 01/05	01.101	*1072Q	NOV 01/05	01.101
*1070D	NOV 01/05	01.101	*1072R	NOV 01/05	01.101
*1070E	NOV 01/05	01.101	*1072S	NOV 01/05	01.101
*1070F	NOV 01/05	01.101	*1072T	NOV 01/05	01.101
*1070G	NOV 01/05	01.101	*1072U	NOV 01/05	01.101
*1070H	NOV 01/05	01.101	*1072V	NOV 01/05	01.101
*1070I	NOV 01/05	01.101	*1072W	NOV 01/05	01.1
*1070J	NOV 01/05	01.101	*1072X	NOV 01/05	01.101
*1070K	NOV 01/05	01.1	*1072Y	NOV 01/05	01.101
*1070L	NOV 01/05	01.101	*1072Z	NOV 01/05	01.101
*1070M	NOV 01/05	01.101	*1073	NOV 01/05	01.101
*1070N	NOV 01/05	01.101	*1074	NOV 01/05	01.101
*1070O	NOV 01/05	01.101	*1074A	NOV 01/05	01.101
*1070P	NOV 01/05	01.101	*1074B	NOV 01/05	01.101
*1070Q	NOV 01/05	01.101	*1074C	NOV 01/05	01.101
*1070R	NOV 01/05	01.101	*1074D	NOV 01/05	01.101
*1070S	NOV 01/05	01.101	*1074E	NOV 01/05	01.101
*1070T	NOV 01/05	01.101	*1074F	NOV 01/05	01.101
*1070U	NOV 01/05	01.101	*1074G	NOV 01/05	01.101
*1070V	NOV 01/05	01.101	*1074H	NOV 01/05	01.101
*1070W	NOV 01/05	01.101	*1074I	NOV 01/05	01.101
*1070X	NOV 01/05	01.101	*1074J	NOV 01/05	01.101
*1070Y	NOV 01/05	01.101	*1074K	NOV 01/05	01.101
*1070Z	NOV 01/05	01.101	*1074L	NOV 01/05	01.101
*1071	NOV 01/05	01.101	*1074M	NOV 01/05	01.101
*1072	NOV 01/05	01.1	*1074N	NOV 01/05	01.101
*1072A	NOV 01/05	01.1	*1074O	NOV 01/05	01.101
*1072B	NOV 01/05	01.101	*1074P	NOV 01/05	01.101
*1072C	NOV 01/05	01.101	*1074Q	NOV 01/05	01.101
*1072D	NOV 01/05	01.101	*1074R	NOV 01/05	01.101
*1072E	NOV 01/05	01.101	*1074S	NOV 01/05	01.101
*1072F	NOV 01/05	01.101	*1074T	NOV 01/05	01.101
*1072G	NOV 01/05	01.101	*1074U	NOV 01/05	01.101
*1072H	NOV 01/05	01.101	*1074V	NOV 01/05	01.101
*1072I	NOV 01/05	01.101	*1074W	NOV 01/05	01.101
*1072J	NOV 01/05	01.101	*1074X	NOV 01/05	01.101
*1072K	NOV 01/05	01.101	*1074Y	NOV 01/05	01.101
*1072L	NOV 01/05	01.101	*1074Z	NOV 01/05	01.101

* = REVISED, ADDED OR DELETED

32-21-21

EFFECTIVE PAGES

CONTINUED Page 9

01 Nov 01/05

PAGE	DATE	CODE	PAGE	DATE	CODE
ILLUSTRATED PARTS LIST		CONT.	ILLUSTRATED PARTS LIST		CONT.
*1075	NOV 01/05	01.101	*1078M	NOV 01/05	01.101
*1076	NOV 01/05	01.101	*1078N	NOV 01/05	01.101
*1076A	NOV 01/05	01.101	*1078O	NOV 01/05	01.101
*1076B	NOV 01/05	01.101	*1078P	NOV 01/05	01.101
*1076C	NOV 01/05	01.101	*1078Q	NOV 01/05	01.101
*1076D	NOV 01/05	01.101	*1078R	NOV 01/05	01.101
*1076E	NOV 01/05	01.101	*1078S	NOV 01/05	01.101
*1076F	NOV 01/05	01.101	*1078T	NOV 01/05	01.101
*1076G	NOV 01/05	01.101	*1078U	NOV 01/05	01.101
*1076H	NOV 01/05	01.101	*1078V	NOV 01/05	01.101
*1076I	NOV 01/05	01.101	*1078W	NOV 01/05	01.101
*1076J	NOV 01/05	01.101	*1078X	NOV 01/05	01.101
*1076K	NOV 01/05	01.101	*1078Y	NOV 01/05	01.101
*1076L	NOV 01/05	01.101	*1078Z	NOV 01/05	01.101
*1076M	NOV 01/05	01.101	*1079	NOV 01/05	01.101
*1076N	NOV 01/05	01.101	*1080	NOV 01/05	01.101
*1076O	NOV 01/05	01.101	*1080A	NOV 01/05	01.101
*1076P	NOV 01/05	01.101	*1080B	NOV 01/05	01.101
*1076Q	NOV 01/05	01.101	*1080C	NOV 01/05	01.101
*1076R	NOV 01/05	01.101	*1080D	NOV 01/05	01.101
*1076S	NOV 01/05	01.101	*1080E	NOV 01/05	01.101
*1076T	NOV 01/05	01.101	*1080F	NOV 01/05	01.101
*1076U	NOV 01/05	01.101	*1080G	NOV 01/05	01.101
*1076V	NOV 01/05	01.101	*1080H	NOV 01/05	01.101
*1076W	NOV 01/05	01.101	*1080I	NOV 01/05	01.101
*1076X	NOV 01/05	01.101	*1080J	NOV 01/05	01.101
*1076Y	NOV 01/05	01.101	*1080K	NOV 01/05	01.101
*1076Z	NOV 01/05	01.101	*1080L	NOV 01/05	01.101
*1077	NOV 01/05	01.101	*1080M	NOV 01/05	01.101
*1078	NOV 01/05	01.101	*1080N	NOV 01/05	01.101
*1078A	NOV 01/05	01.101	*1080O	NOV 01/05	01.101
*1078B	NOV 01/05	01.101	*1080P	NOV 01/05	01.101
*1078C	NOV 01/05	01.101	*1080Q	NOV 01/05	01.101
*1078D	NOV 01/05	01.101	*1080R	NOV 01/05	01.101
*1078E	NOV 01/05	01.101	*1080S	NOV 01/05	01.101
*1078F	NOV 01/05	01.101	*1080T	NOV 01/05	01.101
*1078G	NOV 01/05	01.101	*1080U	NOV 01/05	01.101
*1078H	NOV 01/05	01.101	*1080V	NOV 01/05	01.101
*1078I	NOV 01/05	01.101	*1080W	NOV 01/05	01.101
*1078J	NOV 01/05	01.101	*1080X	NOV 01/05	01.101
*1078K	NOV 01/05	01.101	*1080Y	NOV 01/05	01.101
*1078L	NOV 01/05	01.101	*1080Z	NOV 01/05	01.101

* = REVISED, ADDED OR DELETED

32-21-21

 EFFECTIVE PAGES
 CONTINUED Page 10
 01 Nov 01/05


BOEING
 COMPONENT
 MAINTENANCE MANUAL

PAGE	DATE	CODE	PAGE	DATE	CODE
ILLUSTRATED PARTS LIST		CONT.	ILLUSTRATED PARTS LIST		CONT.
*1081	NOV 01/05	01.101	*1084M	NOV 01/05	01.101
*1082	NOV 01/05	01.101	*1084N	NOV 01/05	01.101
*1082A	NOV 01/05	01.101	*1084O	NOV 01/05	01.1
*1082B	NOV 01/05	01.101	*1084P	NOV 01/05	01.101
*1082C	NOV 01/05	01.101	*1084Q	NOV 01/05	01.101
*1082D	NOV 01/05	01.101	*1084R	NOV 01/05	01.101
*1082E	NOV 01/05	01.101	*1084S	NOV 01/05	01.101
*1082F	NOV 01/05	01.101	*1084T	NOV 01/05	01.101
*1082G	NOV 01/05	01.101	*1084U	NOV 01/05	01.101
*1082H	NOV 01/05	01.101	*1084V	NOV 01/05	01.101
*1082I	NOV 01/05	01.101	*1084W	NOV 01/05	01.101
*1082J	NOV 01/05	01.101	*1084X	NOV 01/05	01.101
*1082K	NOV 01/05	01.101	*1084Y	NOV 01/05	01.101
*1082L	NOV 01/05	01.101	*1084Z	NOV 01/05	01.101
*1082M	NOV 01/05	01.101	*1085	NOV 01/05	01.101
*1082N	NOV 01/05	01.101	*1086	NOV 01/05	01.101
*1082O	NOV 01/05	01.101	*1086A	NOV 01/05	01.101
*1082P	NOV 01/05	01.101	*1086B	NOV 01/05	01.101
*1082Q	NOV 01/05	01.101	*1086C	NOV 01/05	01.101
*1082R	NOV 01/05	01.101	*1086D	NOV 01/05	01.1
*1082S	NOV 01/05	01.101	*1086E	NOV 01/05	01.101
*1082T	NOV 01/05	01.101	*1086F	NOV 01/05	01.101
*1082U	NOV 01/05	01.101	*1086G	NOV 01/05	01.1
*1082V	NOV 01/05	01.101	*1086H	NOV 01/05	01.101
*1082W	NOV 01/05	01.101	*1086I	NOV 01/05	01.101
*1082X	NOV 01/05	01.101	*1086J	NOV 01/05	01.101
*1082Y	NOV 01/05	01.101	*1086K	NOV 01/05	01.101
*1082Z	NOV 01/05	01.101	*1086L	NOV 01/05	01.101
*1083	NOV 01/05	01.101	*1086M	NOV 01/05	01.101
*1084	NOV 01/05	01.101	*1086N	NOV 01/05	01.1
*1084A	NOV 01/05	01.101	*1086O	NOV 01/05	01.101
*1084B	NOV 01/05	01.101	*1086P	NOV 01/05	01.101
*1084C	NOV 01/05	01.101	*1086Q	NOV 01/05	01.101
*1084D	NOV 01/05	01.101	*1086R	NOV 01/05	01.101
*1084E	NOV 01/05	01.101	*1086S	NOV 01/05	01.1
*1084F	NOV 01/05	01.101	*1086T	NOV 01/05	01.101
*1084G	NOV 01/05	01.101	*1086U	NOV 01/05	01.101
*1084H	NOV 01/05	01.101	*1086V	NOV 01/05	01.101
*1084I	BLANK		*1086W	NOV 01/05	01.101
*1084J	NOV 01/05	01.1	*1086X	NOV 01/05	01.101
*1084K	NOV 01/05	01.1	*1086Y	NOV 01/05	01.101
*1084L	NOV 01/05	01.101	*1086Z	NOV 01/05	01.101

* = REVISED, ADDED OR DELETED

32-21-21

EFFECTIVE PAGES

CONTINUED Page 11

01 Nov 01/05

PAGE	DATE	CODE	PAGE	DATE	CODE
ILLUSTRATED PARTS LIST		CONT.	ILLUSTRATED PARTS LIST		CONT.
*1087	NOV 01/05	01.101	*1090M	NOV 01/05	01.101
*1088	NOV 01/05	01.1	*1090N	NOV 01/05	01.101
*1088A	NOV 01/05	01.101	*1090O	NOV 01/05	01.101
*1088B	NOV 01/05	01.101	*1090P	NOV 01/05	01.101
*1088C	NOV 01/05	01.101	*1090Q	NOV 01/05	01.101
*1088D	NOV 01/05	01.101	*1090R	NOV 01/05	01.101
*1088E	NOV 01/05	01.101	*1090S	NOV 01/05	01.101
*1088F	NOV 01/05	01.101	*1090T	NOV 01/05	01.101
*1088G	NOV 01/05	01.101	*1090U	NOV 01/05	01.101
*1088H	NOV 01/05	01.1	*1090V	NOV 01/05	01.101
*1088I	NOV 01/05	01.101	*1090W	NOV 01/05	01.101
*1088J	NOV 01/05	01.101	*1090X	NOV 01/05	01.101
*1088K	NOV 01/05	01.101	*1090Y	NOV 01/05	01.101
*1088L	NOV 01/05	01.101	*1090Z	NOV 01/05	01.101
*1088M	NOV 01/05	01.1	*1091	NOV 01/05	01.101
*1088N	NOV 01/05	01.101	*1092	NOV 01/05	01.101
*1088O	NOV 01/05	01.101	*1092A	NOV 01/05	01.101
*1088P	NOV 01/05	01.101	*1092B	NOV 01/05	01.101
*1088Q	NOV 01/05	01.101	*1092C	NOV 01/05	01.101
*1088R	NOV 01/05	01.1	*1092D	NOV 01/05	01.101
*1088S	NOV 01/05	01.101	*1092E	NOV 01/05	01.101
*1088T	NOV 01/05	01.101	*1092F	NOV 01/05	01.101
*1088U	NOV 01/05	01.101	*1092G	NOV 01/05	01.101
*1088V	NOV 01/05	01.101	*1092H	NOV 01/05	01.101
*1088W	NOV 01/05	01.101	*1092I	NOV 01/05	01.101
*1088X	NOV 01/05	01.101	*1092J	NOV 01/05	01.101
*1088Y	NOV 01/05	01.101	*1092K	NOV 01/05	01.101
*1088Z	NOV 01/05	01.101	*1092L	NOV 01/05	01.101
*1089	NOV 01/05	01.101	*1092M	NOV 01/05	01.101
*1090	NOV 01/05	01.101	*1092N	NOV 01/05	01.101
*1090A	NOV 01/05	01.101	*1092O	NOV 01/05	01.101
*1090B	NOV 01/05	01.101	*1092P	NOV 01/05	01.101
*1090C	NOV 01/05	01.101	*1092Q	NOV 01/05	01.101
*1090D	NOV 01/05	01.101	*1092R	NOV 01/05	01.101
*1090E	NOV 01/05	01.101	*1092S	NOV 01/05	01.101
*1090F	NOV 01/05	01.101	*1092T	NOV 01/05	01.101
*1090G	NOV 01/05	01.101	*1092U	NOV 01/05	01.101
*1090H	NOV 01/05	01.101	*1092V	NOV 01/05	01.101
*1090I	NOV 01/05	01.101	*1092W	NOV 01/05	01.101
*1090J	NOV 01/05	01.101	*1092X	NOV 01/05	01.101
*1090K	NOV 01/05	01.101	*1092Y	NOV 01/05	01.101
*1090L	BLANK		*1092Z	NOV 01/05	01.101

* = REVISED, ADDED OR DELETED

32-21-21

 EFFECTIVE PAGES
 CONTINUED Page 12
 01 Nov 01/05


BOEING
 COMPONENT
 MAINTENANCE MANUAL

PAGE	DATE	CODE	PAGE	DATE	CODE
ILLUSTRATED PARTS LIST		CONT.	ILLUSTRATED PARTS LIST		CONT.
*1093	NOV 01/05	01.101	*1096M	DELETED	01.1
*1094	NOV 01/05	01.101	*1096N	DELETED	01.1
*1094A	NOV 01/05	01.101	*1096O	DELETED	01.1
*1094B	NOV 01/05	01.101	*1096P	DELETED	01.1
*1094C	NOV 01/05	01.101	*1096Q	DELETED	01.1
*1094D	NOV 01/05	01.101	*1096R	DELETED	01.1
*1094E	NOV 01/05	01.101	*1096S	DELETED	01.1
*1094F	NOV 01/05	01.101	*1096T	DELETED	01.1
*1094G	NOV 01/05	01.101	*1096U	DELETED	01.1
*1094H	NOV 01/05	01.101	*1096V	DELETED	01.1
*1094I	NOV 01/05	01.101	*1096W	DELETED	01.1
*1094J	NOV 01/05	01.101	*1096X	DELETED	01.1
*1094K	NOV 01/05	01.101	*1096Y	DELETED	01.1
*1094L	NOV 01/05	01.101	*1096Z	DELETED	01.1
*1094M	NOV 01/05	01.101	*1097	DELETED	01.1
*1094N	NOV 01/05	01.101	*1098	DELETED	01.1
*1094O	NOV 01/05	01.101	*1098A	DELETED	01.1
*1094P	NOV 01/05	01.101	*1098B	DELETED	01.1
*1094Q	NOV 01/05	01.101	*1098C	DELETED	01.1
*1094R	NOV 01/05	01.101	*1098D	DELETED	01.1
*1094S	NOV 01/05	01.101	*1098E	DELETED	01.1
*1094T	NOV 01/05	01.101	*1098F	DELETED	01.1
*1094U	NOV 01/05	01.101	*1098G	DELETED	01.1
*1094V	NOV 01/05	01.101	*1098H	DELETED	01.1
*1094W	NOV 01/05	01.101	*1098I	DELETED	01.1
*1094X	NOV 01/05	01.101	*1098J	DELETED	01.1
*1094Y	NOV 01/05	01.101	*1098K	DELETED	01.1
*1094Z	NOV 01/05	01.101	*1098L	DELETED	01.1
*1095	NOV 01/05	01.101	*1098M	DELETED	01.1
*1096	NOV 01/05	01.101	*1098N	DELETED	01.1
*1096A	NOV 01/05	01.101	*1098O	DELETED	01.1
*1096B	NOV 01/05	01.101	*1098P	DELETED	01.1
*1096C	NOV 01/05	01.101	*1098Q	DELETED	01.1
*1096D	NOV 01/05	01.101	*1098R	DELETED	01.1
*1096E	NOV 01/05	01.101	*1098S	DELETED	01.1
*1096F	NOV 01/05	01.101	*1098T	DELETED	01.1
*1096G	NOV 01/05	01.101	*1098U	DELETED	01.1
*1096H	NOV 01/05	01.101	*1098V	DELETED	01.1
*1096I	NOV 01/05	01.101	*1098W	DELETED	01.1
*1096J	NOV 01/05	01.101	*1098X	DELETED	01.1
*1096K	NOV 01/05	01.101	*1098Y	DELETED	01.1
*1096L	BLANK		*1098Z	DELETED	01.1

* = REVISED, ADDED OR DELETED

32-21-21

EFFECTIVE PAGES
CONTINUED Page 13
01 Nov 01/05

PAGE	DATE	CODE	PAGE	DATE	CODE
ILLUSTRATED PARTS LIST		CONT.	ILLUSTRATED PARTS LIST		CONT.
*1099	DELETED	01.1	*1102M	DELETED	01.1
*1100	DELETED	01.1	*1102N	DELETED	01.1
*1100A	DELETED	01.1	*1102O	DELETED	01.1
*1100B	DELETED	01.1	*1102P	DELETED	01.1
*1100C	DELETED	01.1	*1102Q	DELETED	01.1
*1100D	DELETED	01.1	*1102R	DELETED	01.1
*1100E	DELETED	01.1	*1102S	DELETED	01.1
*1100F	DELETED	01.1	*1102T	DELETED	01.1
*1100G	DELETED	01.1	*1102U	DELETED	01.1
*1100H	DELETED	01.1	*1102V	DELETED	01.1
*1100I	DELETED	01.1	*1102W	DELETED	01.1
*1100J	DELETED	01.1	*1102X	DELETED	01.1
*1100K	DELETED	01.1	*1102Y	DELETED	01.1
*1100L	DELETED	01.1	*1102Z	DELETED	01.1
*1100M	DELETED	01.1	*1103	DELETED	01.1
*1100N	DELETED	01.1	*1104	DELETED	01.101
*1100O	DELETED	01.1	*1104A	DELETED	01.101
*1100P	DELETED	01.1	*1104B	DELETED	01.1
*1100Q	DELETED	01.1	*1104C	DELETED	01.1
*1100R	DELETED	01.1	*1104D	DELETED	01.1
*1100S	DELETED	01.1	*1104E	DELETED	01.1
*1100T	DELETED	01.1	*1104F	DELETED	01.1
*1100U	DELETED	01.1	*1104G	DELETED	01.1
*1100V	DELETED	01.1	*1104H	DELETED	01.1
*1100W	DELETED	01.1	*1104I	DELETED	01.1
*1100X	DELETED	01.1	*1104J	DELETED	01.1
*1100Y	DELETED	01.1	*1104K	DELETED	01.1
*1100Z	DELETED	01.1	*1104L	DELETED	01.1
*1101	DELETED	01.1	*1104M	DELETED	01.1
*1102	DELETED	01.1	*1104N	DELETED	01.1
*1102A	DELETED	01.1	*1104O	DELETED	01.1
*1102B	DELETED	01.1	*1104P	DELETED	01.1
*1102C	DELETED	01.1	*1104Q	DELETED	01.1
*1102D	DELETED	01.1	*1104R	DELETED	01.1
*1102E	DELETED	01.1	*1104S	DELETED	01.1
*1102F	DELETED	01.1	*1104T	DELETED	01.1
*1102G	DELETED		*1104U	DELETED	01.1
*1102H	DELETED	01.1	*1104V	DELETED	01.1
*1102I	DELETED	01.1	*1104W	DELETED	01.1
*1102J	DELETED	01.1	*1104X	DELETED	01.1
*1102K	DELETED	01.1	*1104Y	DELETED	01.1
*1102L	DELETED	01.1	*1104Z	DELETED	01.1

* = REVISED, ADDED OR DELETED

32-21-21

EFFECTIVE PAGES
 CONTINUED Page 14
 01 Nov 01/05


BOEING
 COMPONENT
 MAINTENANCE MANUAL

PAGE	DATE	CODE	PAGE	DATE	CODE
ILLUSTRATED PARTS LIST		CONT.	ILLUSTRATED PARTS LIST		CONT.
*1105	DELETED	01.1	*1108M	DELETED	01.1
*1106	DELETED	01.1	*1108N	DELETED	01.1
*1106A	DELETED	01.1	*1108O	DELETED	01.1
*1106B	DELETED	01.1	*1108P	DELETED	01.1
*1106C	DELETED	01.1	*1108Q	DELETED	01.1
*1106D	DELETED	01.1	*1108R	DELETED	01.1
*1106E	DELETED	01.1	*1108S	DELETED	01.1
*1106F	DELETED	01.1	*1108T	DELETED	01.1
*1106G	DELETED	01.1	*1108U	DELETED	01.1
*1106H	DELETED	01.1	*1108V	DELETED	01.1
*1106I	DELETED	01.1	*1108W	DELETED	01.1
*1106J	DELETED	01.1	*1108X	DELETED	01.1
*1106K	DELETED	01.1	*1108Y	DELETED	01.1
*1106L	DELETED	01.1	*1108Z	DELETED	01.1
*1106M	DELETED	01.1	*1109	DELETED	01.1
*1106N	DELETED	01.1	*1110	DELETED	01.1
*1106O	DELETED	01.1	*1110A	DELETED	01.1
*1106P	DELETED	01.1	*1110B	DELETED	01.1
*1106Q	DELETED	01.1	*1110C	DELETED	01.1
*1106R	DELETED	01.1	*1110D	DELETED	01.1
*1106S	DELETED	01.1	*1110E	DELETED	01.1
*1106T	DELETED	01.1	*1110F	DELETED	01.1
*1106U	DELETED	01.1	*1110G	DELETED	01.1
*1106V	DELETED	01.1	*1110H	DELETED	01.1
*1106W	DELETED	01.1	*1110I	DELETED	01.1
*1106X	DELETED	01.1	*1110J	DELETED	01.1
*1106Y	DELETED	01.1	*1110K	DELETED	01.1
*1106Z	DELETED	01.1	*1110L	DELETED	01.1
*1107	DELETED	01.1	*1110M	DELETED	01.1
*1108	DELETED	01.1	*1110N	DELETED	01.1
*1108A	DELETED	01.1	*1110O	DELETED	01.1
*1108B	DELETED	01.1	*1110P	DELETED	01.1
*1108C	DELETED	01.1	*1110Q	DELETED	01.1
*1108D	DELETED	01.1	*1110R	DELETED	01.1
*1108E	DELETED	01.1	*1110S	DELETED	01.1
*1108F	DELETED	01.1	*1110T	DELETED	01.1
*1108G	DELETED	01.1	*1110U	DELETED	01.1
*1108H	DELETED	01.1	*1110V	DELETED	01.1
*1108I	DELETED	01.1	*1110W	DELETED	01.1
*1108J	DELETED	01.1	*1110X	DELETED	01.1
*1108K	DELETED	01.1	*1110Y	DELETED	01.1
*1108L	DELETED	01.1	*1110Z	DELETED	01.1

* = REVISED, ADDED OR DELETED

32-21-21

EFFECTIVE PAGES
 CONTINUED Page 15
 01 Nov 01/05

PAGE	DATE	CODE	PAGE	DATE	CODE
ILLUSTRATED PARTS LIST		CONT.			
*1111	DELETED	01.1			
*1112	DELETED	01.1			
*1112A	DELETED	01.1			
*1112B	DELETED	01.1			
*1112C	DELETED	01.1			
*1112D	DELETED	01.1			
*1112E	DELETED	01.1			
*1112F	DELETED	01.1			
*1112G	DELETED	01.1			
*1112H	DELETED	01.1			
*1112I	DELETED	01.1			
*1112J	DELETED	01.1			
*1112K	DELETED	01.1			
*1112L	DELETED	01.1			
*1112M	DELETED	01.1			
*1112N	DELETED	01.1			
*1112O	DELETED	01.1			
*1112P	DELETED	01.1			
*1112Q	DELETED	01.1			
*1112R	DELETED	01.1			
*1112S	DELETED	01.1			
*1112T	DELETED	01.1			
*1112U	DELETED	01.1			
*1112V	DELETED	01.1			
*1112W	DELETED	01.1			
*1112X	DELETED	01.1			
*1112Y	DELETED	01.1			
*1112Z	DELETED	01.1			
*1113	DELETED	01.1			
*1114	DELETED	01.1			
*1114A	DELETED	01.1			
*1114B	DELETED	01.1			
*1114C	DELETED	01.1			
*1114D	DELETED	01.1			
*1114E	DELETED	01.1			
*1114F	DELETED	01.1			
*1114G	DELETED	01.1			
*1114H	DELETED	01.1			
*1114I	DELETED	01.1			
*1114J	DELETED				

* = REVISED, ADDED OR DELETED

32-21-21

EFFECTIVE PAGES
 LAST PAGE Page 16
 01 Nov 01/05



TABLE OF CONTENTS

<u>Paragraph Title</u>	<u>Page</u>
Description and Operation	1
Testing and Trouble Shooting (not applicable)	
Disassembly	301
Cleaning.	401
Check	501
Repair.	601
Assembly.	701
Fits and Clearances	801
Special Tools	901
Illustrated Parts List.	1001

32-21-21



INTRODUCTION

The instructions in this manual provide the information necessary to perform maintenance functions ranging from simple checks and replacement to complete shop-type repair.

This manual is divided into separate sections:

- | | |
|--|------------------------------|
| 1. Title Page | 4. List of Effective Pages |
| 2. Record of Revisions | 5. Table of Contents |
| 3. Temporary Revision &
Service Bulletin Record | 6. Introduction |
| | 7. Procedures & IPL Sections |

Refer to the Table of Contents for the page location of applicable sections. An asterisked flagnote *[] in place of the page number indicates that no special instructions are provided since the function can be performed using standard industry practices.

The beginning of the REPAIR section includes a list of the separate repairs, a list of applicable standard Boeing practices, and an explanation of the True Position Dimensioning symbols used.

An explanation of the use of the Illustrated Parts List is provided in the Introduction to that section.

All weights and measurements used in the manual are in English units, unless otherwise stated. When metric equivalents are given they will be in parentheses following the English units.

Design changes, optional parts, configuration differences and Service Bulletin modifications create alternate part numbers. These are identified in the Illustrated Parts List (IPL) by adding an alphabetical character to the basic item number. The resulting item number is called an alpha-variant. Throughout the manual, IPL basic item number references also apply to alpha-variants unless otherwise indicated.

Verification:

Disassembly
Assembly

32-21-21

INTRODUCTION

01.101

Page 1

Jul 10/85



NOSE LANDING GEAR ASSEMBLY

DESCRIPTION AND OPERATION

1. Description

A. The Nose Landing Gear Assembly is composed of components, assembled to allow an interchangeable unit which can be easily installed on the airplane. The nose gear assembly consists of tow fittings, wheel and tire assemblies, wire harnesses and conduits, hydraulic tube assemblies, steering actuators, steering module and summing mechanism, taxi lights, and tire pressure indicating system.

2. Operation

- A. The unit allows rolling support with shock absorbing and steering capabilities. Steering inputs are transferred to the steering actuators through control cables to the steering metering valve to provide steering control.
- B. Electrical associated components provide control and operation of taxi lights and various sensors used in the steering and retraction-extension of the nose landing gear.

32-21-21

DESCRIPTION & OPERATION

01.1

Page 1

Apr 01/90

DISASSEMBLY

NOTE: Disassemble this component only as necessary to complete fault isolation, determine the serviceability of parts, perform required repairs, and restore the unit to serviceable condition.

1. Equipment

NOTE: Equivalent substitutes may be used.

- A. Nose Landing Gear Buildup Stand -- A32057-1 or -40
- B. Nose Landing Gear Wheel Retaining Axle Nut Wrench Adapter -- A32025-1
- C. Spanner Wrench -- F72959-6
- D. Nose Landing Gear Axle Protector -- A32022-1
- E. Nose Landing Gear Steering Actuator Wrench -- A32035-1
- F. Nose Landing Gear Handling Sling -- A32019-1 (replaced by A32036-43)
- G. Nose Landing Gear Inner Cylinder Retention Strap -- A32028-6
- H. Nose Landing Gear Removal/Installation Hoist Equipment -- A32036-43
(replaces A32019-1)
- I. Nose Landing Gear Steering Nut Wrench Adapter -- A32034-1

2. Parts Replacement (IPL Fig. 1 thru 6)

NOTE: The following parts are recommended for replacement. Unless otherwise specified, actual replacement of parts may be based on in-service experience.

- A. Lockwire
- B. All Packings and Backup Rings
- C. All Cotter Pins
- D. Nuts (85, 90, 115, 325, 379, 420, 450, Fig. 1)(60, 170, Fig. 2)(75, 135, 160, 225, 285, 310, 410, 465, 565, 645, 690, 705, 725, Fig. 3)(30, 80, 105, 135, 175, 205, 240, 270, 295, 315, 330, 410, 640, 660, 675, 735, 830, 860, 895, Fig. 4)(200, 235, 280, 292J, 310, 322J, Fig. 5)(120, Fig. 6).

32-21-21

DISASSEMBLY

01.1

Page 301

Apr 01/90

WARNING: DO NOT START DISASSEMBLY OF NOSE GEAR ASSEMBLY UNTIL ALL AIR IS REMOVED FROM THE UNIT TO PREVENT INJURY TO PERSONNEL OR DAMAGE TO PARTS.

3. Disassembly

NOTE: Do not remove flanged bushings, lube fittings or rivets and riveted assemblies unless necessary for repair or replacement.

- A. Release air pressure from shock strut assembly by turning swivel nut on air valve one or two turns counterclockwise; then open valve fully.
- B. With retention strap A32028-3, hold the inner cylinder in the compressed position.
- C. Hang the unit in sling A32019-1 or A32036-43, and put the nose landing gear assembly in buildup stand A32057-1 or -40.

WARNING: DO NOT REMOVE WHEEL AND TIRE ASSEMBLIES UNTIL TIRES HAVE BEEN DEFLATED OR INJURY TO PERSONNEL MAY RESULT.

- D. Release air in wheel and tire assembly (130, 485, Fig. 1). Remove fill valve assembly (145, 495, Fig. 1). On buildups that have the tire pressure indicating system, disconnect the conduit plug of the pressure sensor (115, IPL Fig. 8) and install seal cap (47) on the pressure holder (42).

NOTE: The seal cap should be stored as flyaway equipment on the airplane.

- E. Wheel equipment assembly (60, IPL Fig. 8) with tire pressure indication system.

- (1) Remove and disassemble hubcap assembly (85).

32-21-21

DISASSEMBLY

01.1

Page 302

Jul 01/05

**BOEING**
COMPONENT
MAINTENANCE MANUAL

CAUTION: DO NOT PULL ON THE CONDUIT OF THE PRESSURE SENSOR (115) WHEN THE HUBCAP ASSEMBLY IS IN PLACE.

- (a) Remove bolts (65, 70, 90), washers (75, 95), nuts (80, 100) and hubcap assembly (85).
- (2) Remove bolts (145), washers (150), and nuts (155), and carefully slide wheel interface unit (160) out of wheel with attached sensor (115), spacer (110), and grommet (105). Do not disassemble wheel interface unit (160) unless repair or replacement is necessary.
- F. Remove nuts (115, Fig. 1 or 9, Fig. 8), washers (110, Fig. 1 or 8, Fig. 8) and bolts (105, Fig. 1 or 7, Fig. 8).
- G. Using wrench adapter A32025-1, remove axle nut (120 or 122, Fig. 1). Carefully remove axle washer (125 or 127, Fig. 1).
- H. Carefully slide wheel and tire assembly (130, 480, Fig. 1) from axle and install axle protector A32022-1.
- I. Remove tube assemblies (15, 20, Fig. 2) from valve assembly (150A, Fig. 2) by loosening sleeves (25, Fig. 2) and nuts (30, Fig. 2).
- CAUTION:** VALVE (150A, FIG. 2) IS A PRECISION PART. AVOID ALL UNNECESSARY HANDLING. PROTECT PACKING GROOVE AREAS AT ALL TIMES WHEN NOT IN WORK.
- J. Using spanner wrench F72959-6, carefully loosen valve assembly (150A, Fig. 2) retaining nuts.
- K. Remove bolts (155, 160, Fig. 2), washers (165, Fig. 2) and nuts (170, Fig. 2).
- L. Carefully slide valve installation (125, Fig. 2) from steering actuator assemblies (215, Fig. 2).
- CAUTION:** BEARING (210, FIG. 2) CONTAINS DELICATE SIDE SHIELDS AND SEALS WHICH MAY BE DAMAGED BY CARELESS HANDLING.
- DO NOT ALLOW BEARING TO MISALIGN BETWEEN INNER AND OUTER RACES BEYOND ONE DEGREE.
- HAMMERING OR TAPPING ON BEARINGS IS NOT ALLOWED. BEARING SHALL BE REMOVED WITH HAND PRESSURE ONLY.
- M. Using actuator wrench A32035-1, remove nuts (205, Fig. 2) and carefully slide bearing (210, Fig. 2) from actuator mounting holes.
- N. Remove and disassemble remaining components (Fig. 1 thru 6) using standard industry practices.

32-21-21

DISASSEMBLY

01.1

Page 303

Jan 01/91



CLEANING

1. Clean all parts, except bearings (210, Fig. 2; 480, 815, 825, Fig. 3), using standard industry practices (Ref 20-30-03).

CAUTION: BEARINGS (210, FIG. 2; 480, 815, 825, FIG. 3) HAVE SEALS. CLEAN ONLY PER MANUFACTURER'S INSTRUCTIONS.

2. Clean bearings (210, Fig. 2; 480, 815, 825, Fig. 3) per manufacturer's instructions.

32-21-21

01
CLEANING
Page 401
Jul 10/83

CHECK

- | 1. Examine all parts for defects by standard industry practices. Refer to FITS AND CLEARANCES for design dimensions and wear limits. Refer to ILLUSTRATED PARTS LIST for item numbers.
- | 2. Examine all pin and bolt shanks for wear. Carefully examine areas around lubrication and pin retention holes for hairline cracks.
- | 3. Magnetic particle check (SOPM 20-20-01) the following parts:
 - A. Washer (125, Fig. 1)
 - B. Axle Nut (120, 122, Fig. 1)
 - C. Washer (270, Fig. 1)
 - D. Pin (185, 190, Fig. 1)
 - E. Cap (95, 100, Fig. 1)
 - F. Latch Assembly (395B, Fig. 1, 365A, 915, Fig. 4)
- | 4. Penetrant check (SOPM 20-20-02) the following parts:
 - A. Bracket (254, 255, Fig. 1)
 - B. Tow Fitting (180, Fig. 1)
 - C. Bracket (90, Fig. 2)
 - D. Rod (610, Fig. 3)
 - E. Shaft Assembly (360, Fig. 1)
 - F. Levers (383, 383M, Fig. 1)
- | 5. Examine spring (382, Fig. 1) for the following values:
 - A. Minimum torque at 31 degrees - 0.65 to 0.85 pound-inches
 - B. Maximum torque at 120 degrees - 2.60 to 3.20 pound-inches

32-21-21

CHECK

01.1

Page 501

Nov 01/04

REPAIR – GENERAL1. Content

- A. Repair, refinish and replacement procedures are included in separate repair sections as follows:

<u>P/N</u>	<u>NAME</u>	<u>REPAIR</u>
162T1301	TOW FITTING ASSEMBLY	1-1, 1-2
162T1603	AXLE WASHER	2-1
162T4014	BRACKET ASSEMBLY	3-1, 3-2
162T4019	PIN ASSEMBLY	4-1, 4-2
257T4401	PULLEY BRACKET	5-1, 5-2
257T4402	LEVER ASSEMBLY	6-1, 6-2
257T4403	MOUNTING PLATE ASSEMBLY	7-1, 7-2
- -	MISCELLANEOUS PARTS REFINISH	8-1
- -	BUSHING SEALING	9-1
166T0201	SPIDER	10-1
162T1303	TOW PIN	11-1
162T1602	AXLE NUT	12-1
69-21227-3	TAXI LIGHT HOUSING ASSEMBLY	13-1

2. Standard Practices

- A. Refer to the following standard practices, as applicable, for details of procedures in individual repairs.

32-21-21

REPAIR-GENERAL

01.1

Page 601

Jul 01/03

20-00-00	Introduction
20-10-03	Shot Peening
20-10-04	Grinding of Chrome Plated Parts
20-30-02	Stripping of Protective Finishes
20-30-03	General Cleaning Procedures
20-41-01	Decoding Table for Boeing Finish Codes
20-41-02	Application of Chemical and Solvent Resistant Finishes
20-42-02	Low Hydrogen Embrittlement Cadmium-Titanium Alloy Plating
20-42-03	Hard Chrome Plating
20-42-05	Bright Cadmium Plating
20-43-03	Chemical Conversion Coatings for Aluminum
20-50-03	Bearing and Bushing Replacement
20-60-02	Finishing Materials
20-60-03	Lubricants
20-60-04	Miscellaneous Materials
32-00-03	Landing Gear Parts - Lubrication Fitting Replacement

32-21-21

REPAIR-GENERAL

01.1

Page 602

Nov 01/04

3. Materials

NOTE: Equivalent substitutes can be used.

- | A. Enamel -- BMS 10-60, Gloss, Color Gray (707)(SOPM 20-60-02)
- | B. Grease -- BMS 3-33 or MIL-G-23827 (SOPM 20-60-03)
- | C. Primer -- BMS 10-11, Type 1 (SOPM 20-60-02)
- | D. Sealant -- BMS 5-95 (Replaces BMS 5-79) (SOPM 20-60-04)
- | E. Aliphatic Naphtha -- TT-N-95 Type 1 (Replaces BMS 3-2, Type 1)
(SOPM 20-60-01)

4. Dimensioning Symbols

- A. Standard True Position Dimensioning Symbols used in applicable repair procedures are shown in SOPM 20-00-00.

32-21-21

REPAIR-GENERAL

01.1

Page 603

Nov 01/04

TOW FITTING ASSEMBLY - REPAIR 1-1

162T1301-1

NOTE: Refer to REPAIR-GEN for list of applicable standard practices and to IPL Fig. 1 for item numbers.

1. Bushing Replacement (Fig. 601)

- A. Remove existing bushings (170, 175).
- B. Install replacement bushings using shrink-fit method per 20-50-03.
- C. Check dimensions and machine as necessary.

NOTE: Machining of bushings after installation is not normally required, since bushings and lug faces are premachined to provide dimensions shown.

- D. Seal bushings per REPAIR 9-1.
- E. Apply grease to all lube fittings until grease appears at ID of bushings (to ensure clear lube passages).

2. Lube Fitting Replacement

- A. Replace lube fittings (165) per 32-00-03.

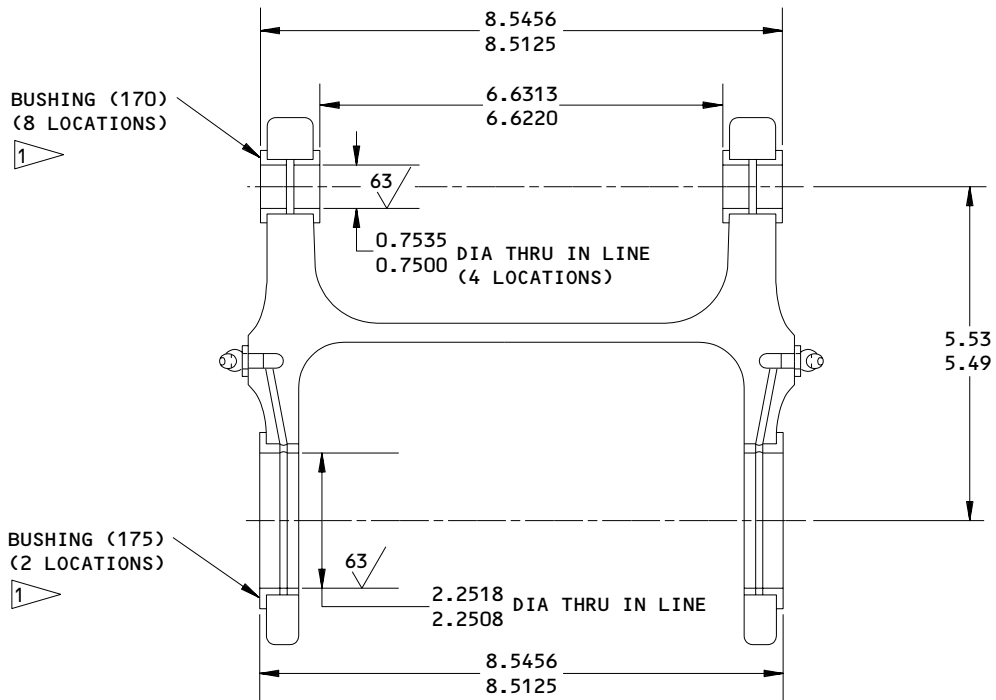
32-21-21

REPAIR 1-1

01.1

Page 601

Jul 10/85



1 APPLY FILLET SEAL PER FIG. 601, REPAIR 9-1.

ALL DIMENSIONS ARE IN INCHES

162T1301-1
 Bushing Replacement
 Figure 601

32-21-21

REPAIR 1-1

01.1

Page 602

Mar 01/04

TOW FITTING - REPAIR 1-2

162T1301-2

NOTE: Refer to REPAIR-GEN for list of applicable standard practices. For repair of surfaces which may require only restoration of original finish, refer to Refinish instructions, Fig. 601.

1. Lug Faces and Holes (Fig. 601)

A. Method 1 -- Removal of Corrosion in Center of Lug ID.

NOTE: This procedure enables corrosion to be removed without machining the entire bore oversize, if corrosion is localized at the center area which is exposed between two bushings.

- (1) Determine repair diameter and width of groove required to remove corrosion (Fig. 602).
- (2) Machine center area as required.
- (3) Chromic acid anodize and apply primer, BMS 10-11, type 1.
- (4) Install bushings per REPAIR 1-1.

B. Method 2 -- Installation of Oversized Bushings

- (1) Machine as required, within repair limits, to remove defects.
- (2) Shot peen, chromic acid anodize and apply primer, BMS 10-11, type 1.
- (3) Make bushings (Fig. 603, 604) as required to make allowance for amount of material removed in step (1).
- (4) Install bushings per REPAIR 1-1.

32-21-21

REPAIR 1-2

01.1

Page 601

Jan 01/93

2. Holes for Lube Fittings (Fig. 601)

- A. Machine as required, within repair limits, to remove defects.
- B. Make a repair sleeve (Fig. 605) as required to adjust for the material removed in step (1).
- C. Install the sleeve by the shrink fit method, with BMS 5-95 sealant. Be sure the lube passages are clear.
- D. Install replacement lube fittings per CMM 32-00-03.

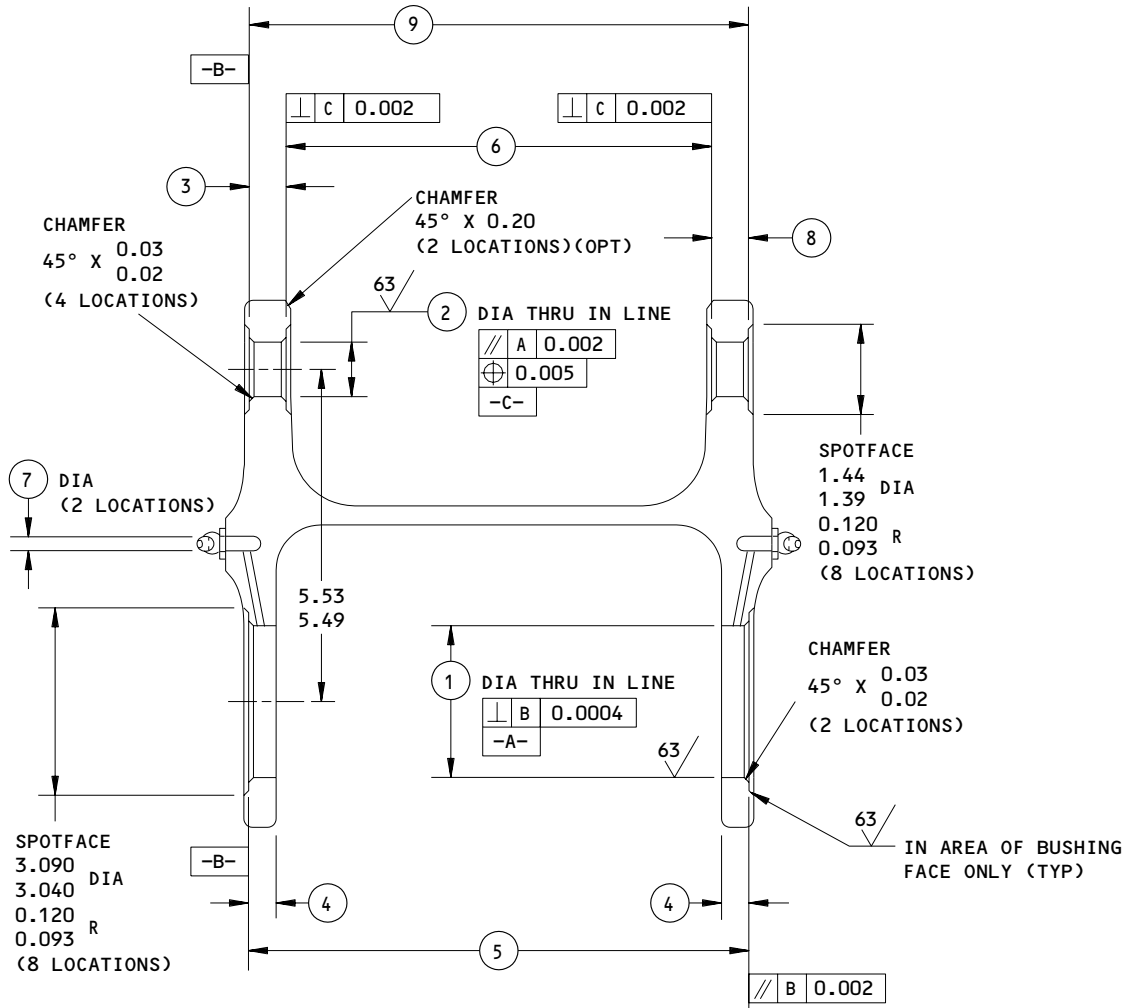
32-21-21

REPAIR 1-2

01.1

Page 602

Nov 01/04



162T1301-2
 Tow Fitting Repair and Refinish
 Figure 601 (Sheet 1)

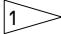
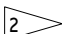
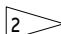
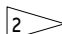
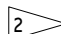
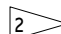
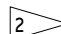
32-21-21

REPAIR 1-2

Page 603

Mar 01/04

01.1

REFERENCE NUMBER	①	②	③	④	⑤	⑥	⑦	⑧	⑨
DESIGN DIMENSION	2.4515 2.4500	0.8765 0.8750	0.810 0.790	0.560 0.540	8.410 8.390	6.7536 6.7486	0.249 0.248	0.8714 0.8264	8.410 8.390
REPAIR LIMIT 	2.630	1.021	0.730 	0.510 	8.360 	6.834 	0.380	0.7300 	8.360 

REFINISH

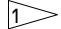
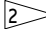
CHROMIC ACID ANODIZE (F-17.04) AND APPLY BMS 10-11 TYPE 1 PRIMER (F-20.02) ALL OVER. AFTER BUSHING INSTALLATION, APPLY ENAMEL BMS 10-60 (SRF-14.9813) ALL OVER EXCEPT ON BUSHINGS AND LUBE FITTINGS.

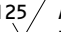
 LIMIT FOR INSTALLATION OF OVERSIZE BUSHINGS OR REPAIR SLEEVES

 LUG FACE MACHINING REQUIREMENTS:

1. MATERIAL REMOVED FROM ANY FACE MUST NOT EXCEED HALF THE DIFFERENCE BETWEEN THE DESIGN DIM AND REPAIR LIMIT
2. FLAT SURFACE MUST BE MINIMUM OF 0.02 LARGER THAN FLANGE DIAMETER OF BUSHING TO BE INSTALLED
3. BLEND MISMATCH STEPS TO 0.18-0.26 R, OR IF WITHIN 0.10 OF LUG FILLET RADIUS USE SAME RADIUS AS LUG FILLET. BREAK SHARP EDGES 0.03-0.07 R

REPAIR

REF  

125/  ALL MACHINED SURFACES UNLESS SHOWN DIFFERENTLY

SHOT PEEN: 0.0230-0.0550 SHOT SIZE
0.010A2 INTENSITY

MATERIAL: AL ALLOY

ALL DIMENSIONS ARE IN INCHES

162T1301-2
 Tow Fitting Repair and Refinish
 Figure 601 (Sheet 2)

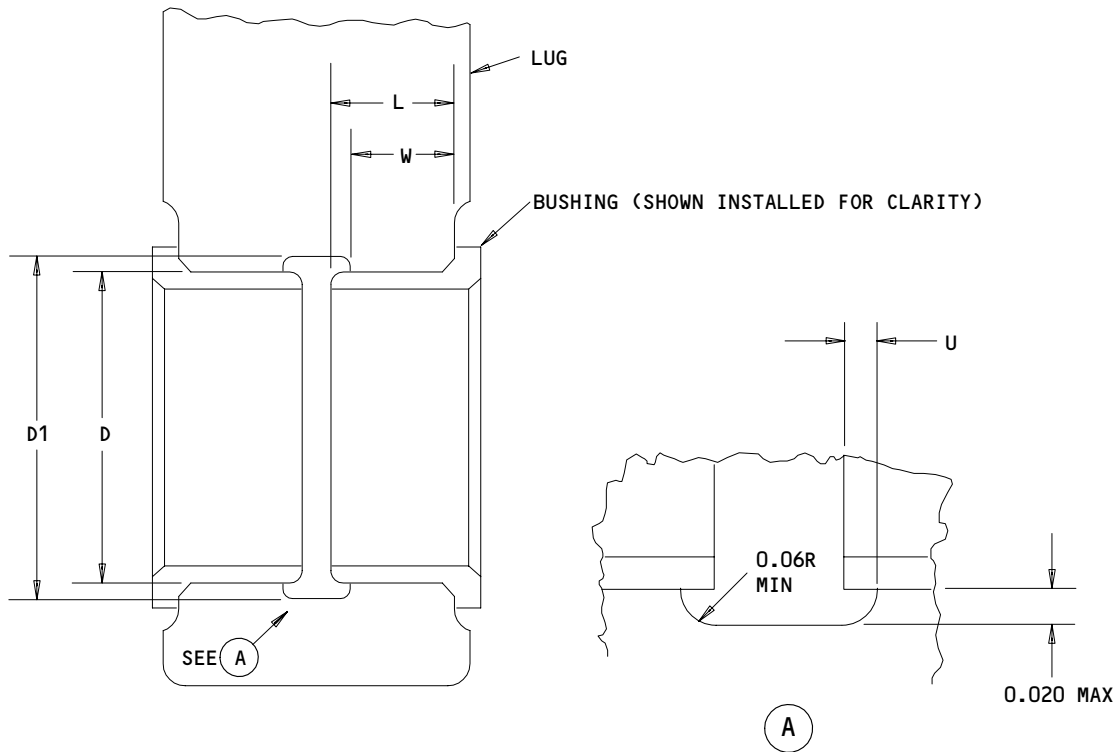
32-21-21

REPAIR 1-2

Page 604

Mar 01/04

01.1



D = MAX REPAIR DIA OF HOLE (SEE FIG. 601)

D1 = MAX REPAIR DIA OF GROOVE = (D + 0.040)

L = LENGTH OF BUSHING (SEE FIG. 603)

U = UNDERCUT = (L X 0.1) (0.06 MAX)

W = LUG DIM TO EDGE OF GROOVE = (L-U)

ALL DIMENSIONS ARE IN INCHES

Lug Hole Diameter - Corrosion Removal from Area Between Bushings
 Figure 602

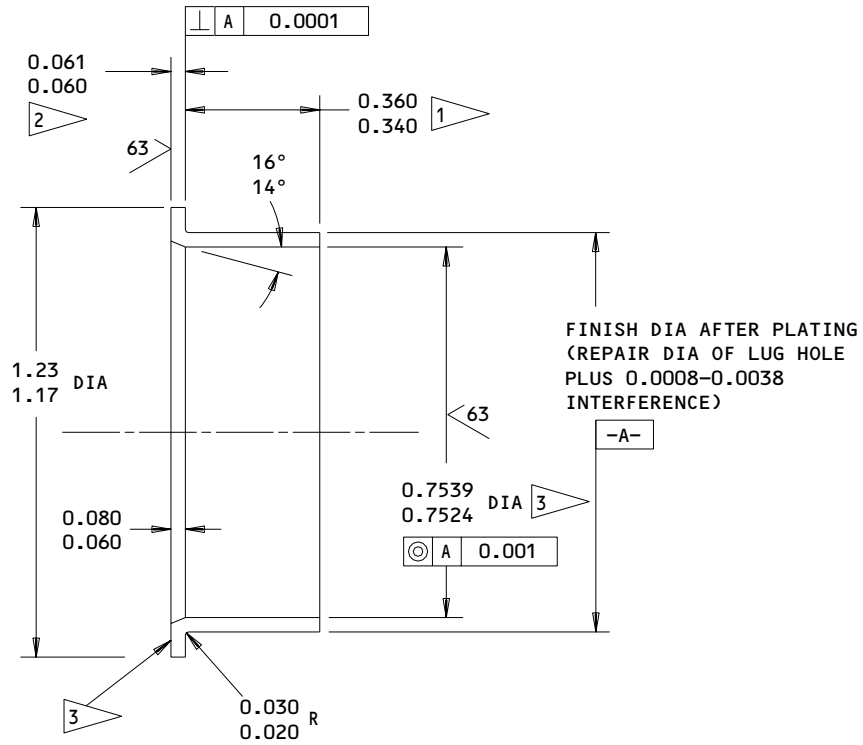
32-21-21

REPAIR 1-2

01.101

Page 605

Jan 01/93



REPAIR

125/ ALL MACHINED SURFACES EXCEPT AS NOTED

BREAK SHARP EDGES 0.01-0.02R

CADMIUM PLATE (F-15.06, 0.0003 MIN) ALL OVER EXCEPT AS NOTED

MATERIAL: AL-NI-BRZ PER AMS 4640 OR 4880

ALL DIMENSIONS ARE IN INCHES

- 1 MINUS AMOUNT REMOVED FROM LUG FACE
- 2 PLUS AMOUNT REMOVED FROM LUG FACE
- 3 DO NOT PLATE

HOLE LOCATION (2) FIG. 601 - REPLACES BUSHING (170) 161T1210-37

Oversize Bushing Details
 Figure 603

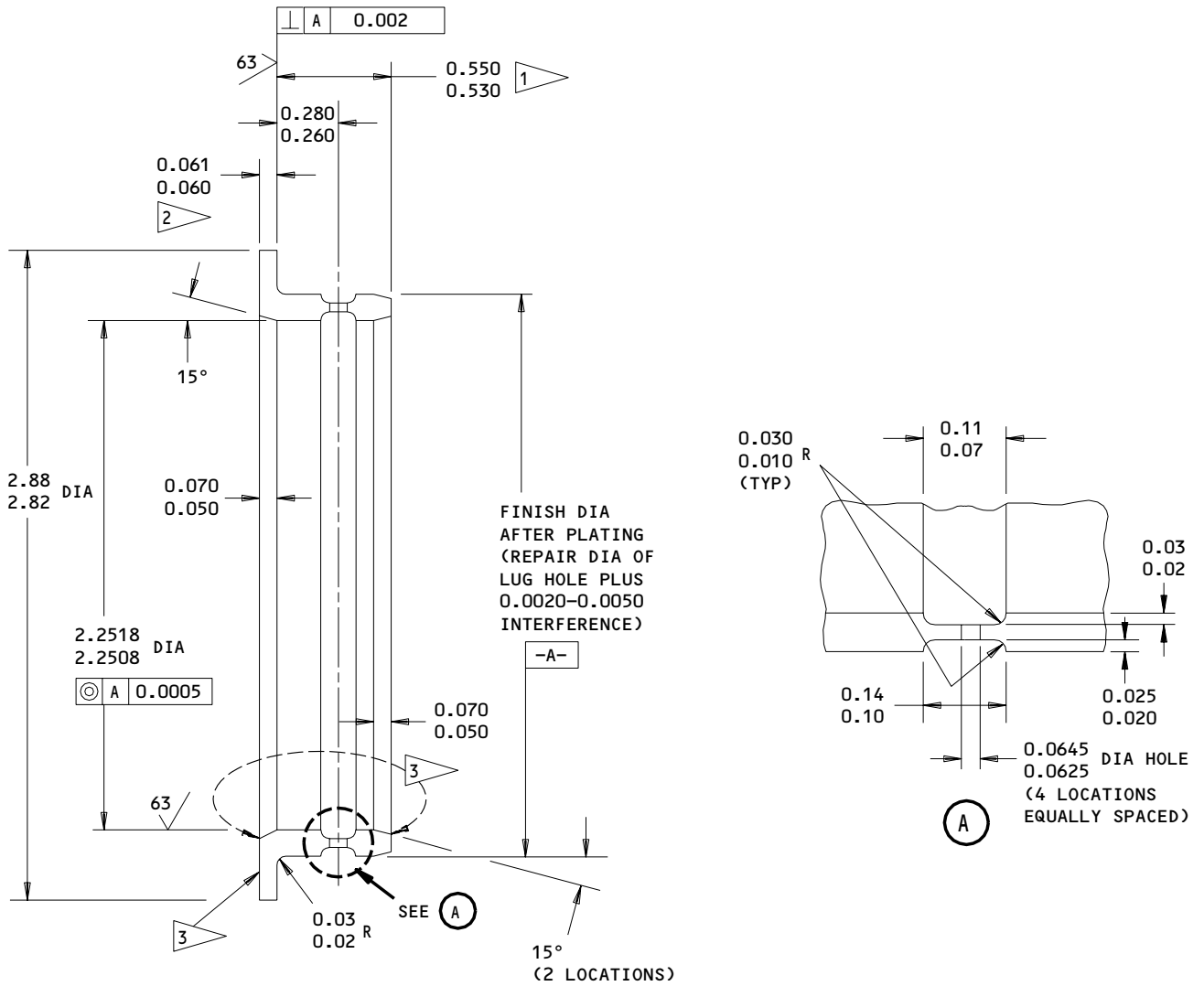
32-21-21

REPAIR 1-2

01.1

Page 606

Jun 01/94



- 1 MINUS AMOUNT REMOVED FROM LUG FACE
- 2 PLUS AMOUNT REMOVED FROM LUG FACE
- 3 DO NOT PLATE

REPAIR

125/ ALL MACHINED SURFACES EXCEPT AS NOTED

BREAK SHARP EDGES 0.01-0.02R

CADMIUM PLATE (F-15.06, 0.0003 MIN) ALL OVER EXCEPT AS NOTED

MATERIAL: AL-NI-BRZ PER AMS 4640 OR 4880

ALL DIMENSIONS ARE IN INCHES

HOLE LOCATION 1 FIG. 601 - REPLACES BUSHING (175) 162T1300-1

Oversize Bushing Details
 Figure 604

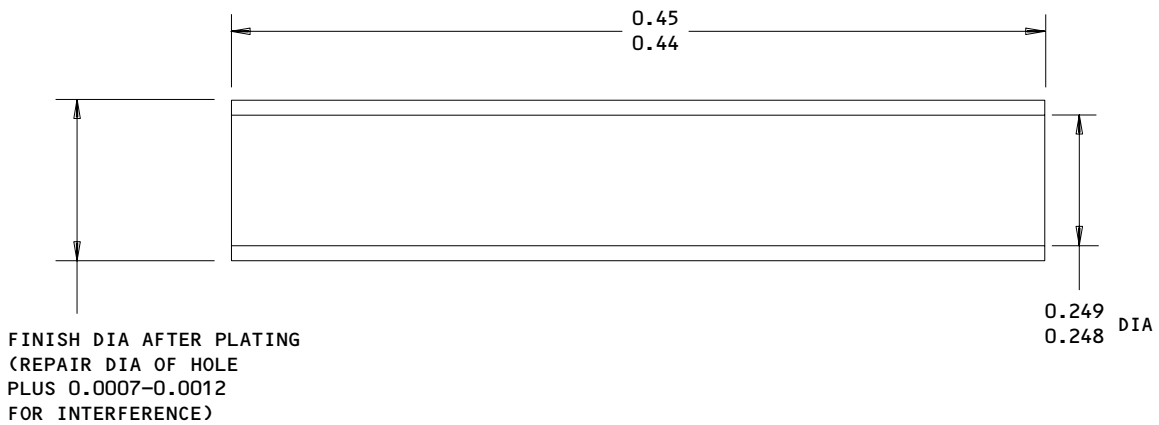
32-21-21

REPAIR 1-2

01.1

Page 607

Jun 01/94



REFINISH

CADMIUM PLATE (F-15.06), 0.0003-0.0005
 THICK EXCEPT NO PLATING IN ID

REPAIR

125/ MACHINE FINISH

BREAK SHARP EDGES 0.01-0.02 R

MATERIAL: AL-NI-BRZ PER AMS 4640 OR 4880

ALL DIMENSIONS ARE IN INCHES

HOLE LOCATION (7) FIG. 601

Repair Sleeve Details
 Figure 605

32-21-21

REPAIR 1-2

Page 608

Jan 01/93

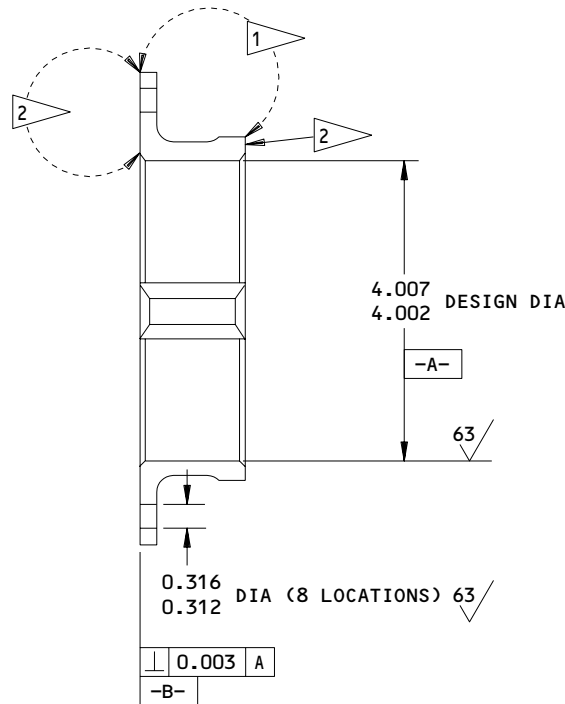
01.1

AXLE WASHER – REPAIR 2-1

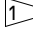
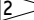
162T1603-1

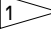
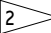
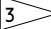
1. Plating Repair

NOTE: Repair is only replacement of the original finish. Refer to Refinish instructions in Fig. 601. Refer to REPAIR – GENERAL for a list of applicable standard practices.




REFINISH

CADMIUM PLATE (F-15.02) ALL OVER.
 APPLY PRIMER AND ENAMEL PER  .
 APPLY WIPE ON PRIMER PER 

-  APPLY BMS 10-11, TYPE 1 PRIMER (F-20.02) FOLLOWED BY BMS 10-60 GRAY GLOSS ENAMEL (SRF-14.9813).
-  WIPE THESE AREAS WITH PRIMER (F-19.45).
-  APPLY NO FINISH TO HOLES.

REPAIR

SAME AS REFINISH
 125  ALL MACHINED SURFACES UNLESS SHOWN DIFFERENTLY
 MATERIAL: 4340 STEEL (180-200 KSI)
 ALL DIMENSIONS ARE IN INCHES

162T1603-1
 Axle Washer Refinish
 Figure 601

32-21-21

REPAIR 2-1

01.1

Page 601

Sep 01/97

BRACKET ASSEMBLY – REPAIR 3-1

162T4014-1, -2

NOTE: Refer to REPAIR – GENERAL for a list of applicable standard practices and to IPL Fig. 1 for item numbers.

1. Bushing Replacement (Fig. 601)

- A. Remove the old bushings (253).
- B. If you find defects on hole surfaces, refer to REPAIR 3-2 for repair instructions.
- C. Install replacement bushings by the shrink-fit method of SOPM 20-50-03.
- D. Make a check of the dimensions and machine them as necessary.

NOTE: Machining of bushings after installation is not usually necessary because bushings and lug faces are premachined to give the dimensions shown.

- E. Seal the bushings per REPAIR 9-1.
- F. Apply grease to all lube fittings until grease appears at ID of bushings, make sure the lube passages are clear.

2. Lube Fitting Replacement

- A. Replace lube fitting (252) per CMM 32-00-03.

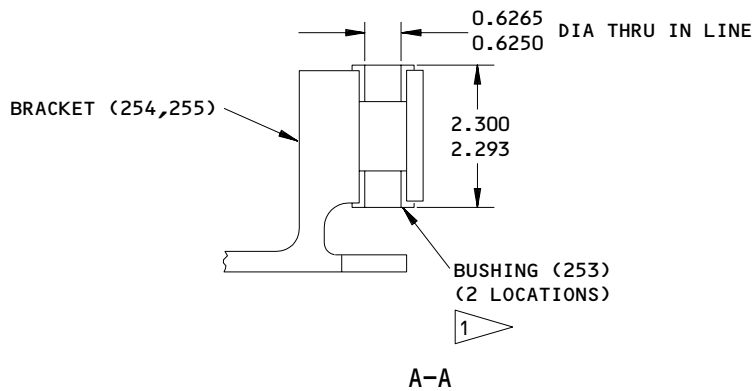
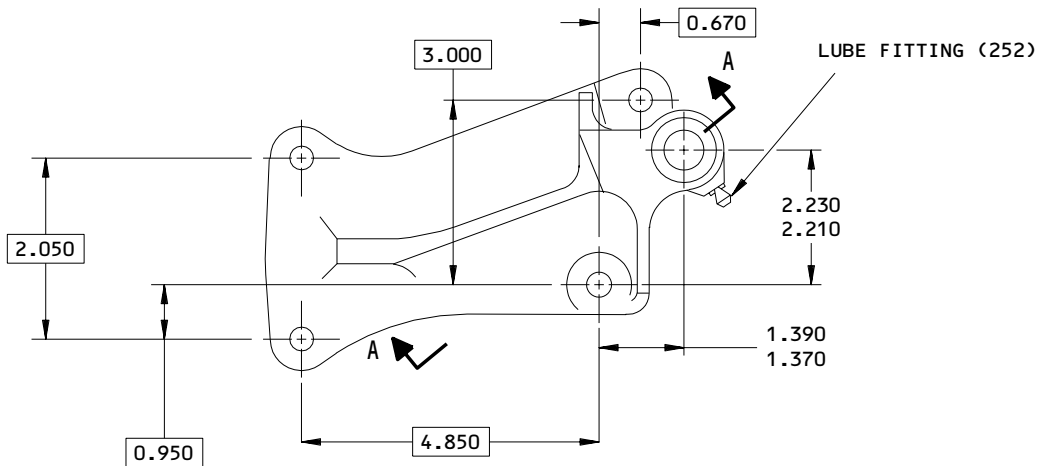
32-21-21

REPAIR 3-1

01.1

Page 601

Mar 01/04



1 APPLY FILLET OF SEAL BMS 5-95 SEALANT PER FIG. 601, REPAIR 9-1

ITEM NUMBERS REFER TO IPL FIG. 1
 ALL DIMENSIONS ARE IN INCHES

162T4014-1,-2
 Bushing Replacement
 Figure 601

32-21-21
 REPAIR 3-1
 Page 602
 Mar 01/04

01.1

BRACKET - REPAIR 3-2

162T4014-3, -4

NOTE: Refer to REPAIR - GENERAL for a list of applicable standard practices. For repair of surfaces which is only replacement of the original finish, refer to Refinish instructions, Fig. 601.

1. Lug Faces and Holes (Fig. 601)

A. Method 1 -- Removal of corrosion in center of lug ID.

NOTE: This procedure lets you remove corrosion without machining the entire bore oversize, if corrosion is only in the center area between two bushings.

(1) Calculate the repair diameter and width of groove necessary to remove corrosion (Fig. 602).

(2) Machine the center area as necessary.

(3) Chromic acid anodize and apply primer, BMS 10-11, type 1.

(4) Install replacement bushings per REPAIR 3-1.

B. Method 2 -- Installation of oversized bushings or repair sleeves.

(1) Machine as required, within repair limits, to remove defects.

(2) Shot peen, chromic acid anodize and apply primer, BMS 10-11, type 1.

(3) Make oversize bushings or repair sleeves (Fig. 603 and on) as required, to adjust for the material removed in step (1).

(4) Install the bushings or sleeves per REPAIR 3-1.

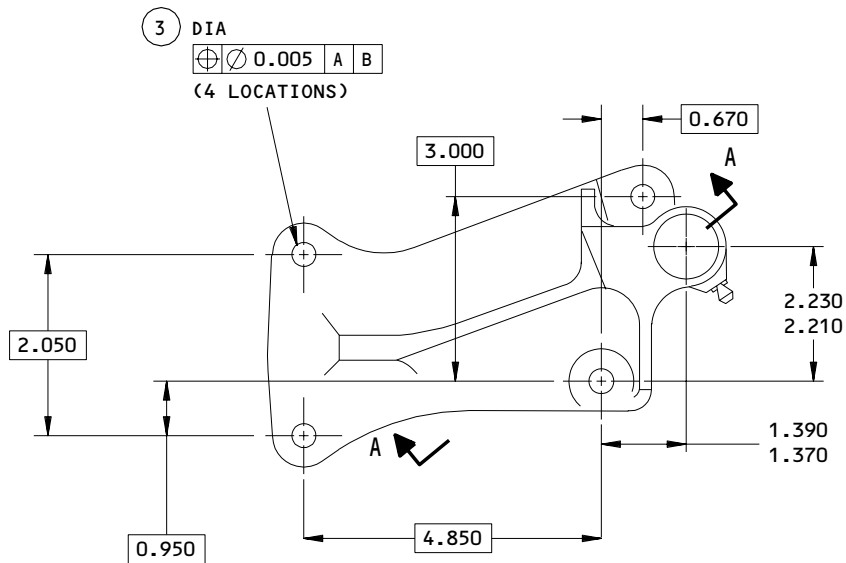
32-21-21

REPAIR 3-2

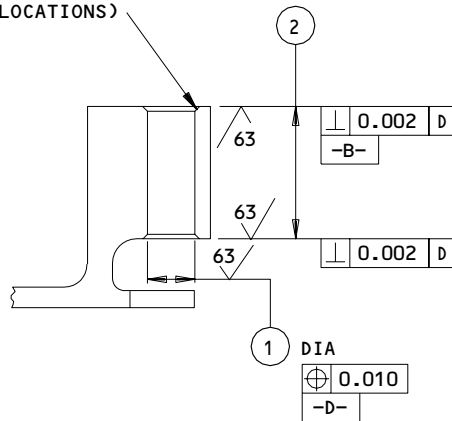
01.1

Page 601

Jul 01/99



CHAMFER
 45° X 0.03
 0.02
 (2 LOCATIONS)



A-A

162T4014-3,-4
 Bracket Repair and Refinish
 Figure 601 (Sheet 1)

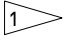
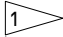
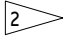

32-21-21

REPAIR 3-2

Page 602


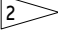
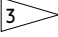
Jul 01/99

01.1




	①	②	③
DESIGN DIM	0.7515 0.7500	2.1748 2.1698	0.379 0.375
REPAIR LIMIT	0.8116 	2.1398  	0.460 

REFINISH

CHROMIC ACID ANODIZE (F-17.04) AND APPLY BMS 10-11 TYPE 1 PRIMER (F-20.02) ALL OVER. AFTER BUSHING INSTALLATION, APPLY ENAMEL, BMS 10-60 GRAY GLOSS (F-14.9813, WHICH REPLACES SRF-14.9813) ALL OVER BUT NOT ON BUSHINGS AND LUBE FITTINGS

-  LIMIT FOR INSTALLATION OF OVERSIZE BUSHINGS (FIG. 603)
-  LUG FACE MACHINING REQUIREMENTS:
 1. MATERIAL REMOVED FROM ANY FACE MUST NOT BE MORE THAN HALF THE DIFFERENCE BETWEEN THE DESIGN DIMENSION AND REPAIR LIMIT
 2. FLAT SURFACE MUST BE MINIMUM OF 0.02 LARGER THAN FLANGE DIAMETER OF BUSHING TO BE INSTALLED
 3. BLEND MISMATCH STEPS TO 0.18-0.26 R, OR IF WITHIN 0.10 OF LUG FILLET RADIUS USE SAME RADIUS AS LUG FILLET. BREAK SHARP EDGES 0.03-0.07 R
-  LIMIT FOR INSTALLATION OF REPAIR SLEEVE (FIG. 604)

REPAIR

REF   

125 ✓ ALL MACHINED SURFACES UNLESS SHOWN DIFFERENTLY

BREAK SHARP EDGES EQUIVALENT TO 0.2-0.3 R UNLESS SHOWN DIFFERENTLY

SHOT PEEN: 0.023-0.055 SHOT SIZE
0.014A2 INTENSITY

MATERIAL: AL ALLOY

ALL DIMENSIONS ARE IN INCHES

162T4014-3,-4
 Bracket Repair and Refinish
 Figure 601 (Sheet 2)

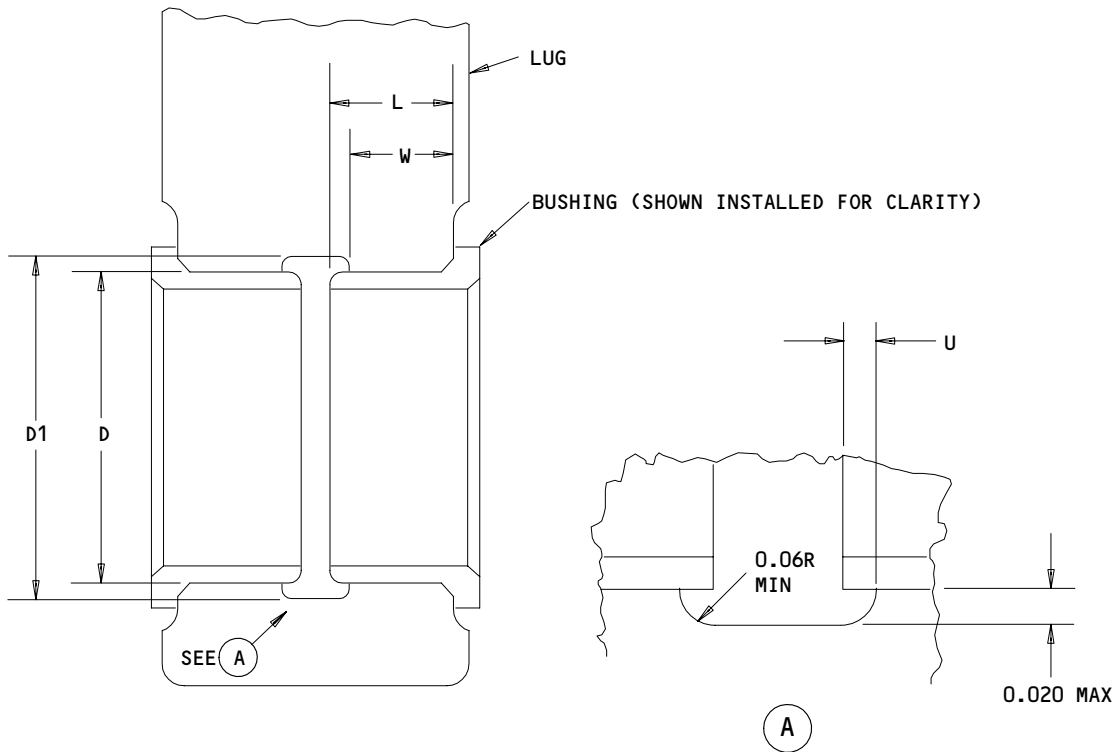
32-21-21

REPAIR 3-2

Page 603

Mar 01/04

01.1



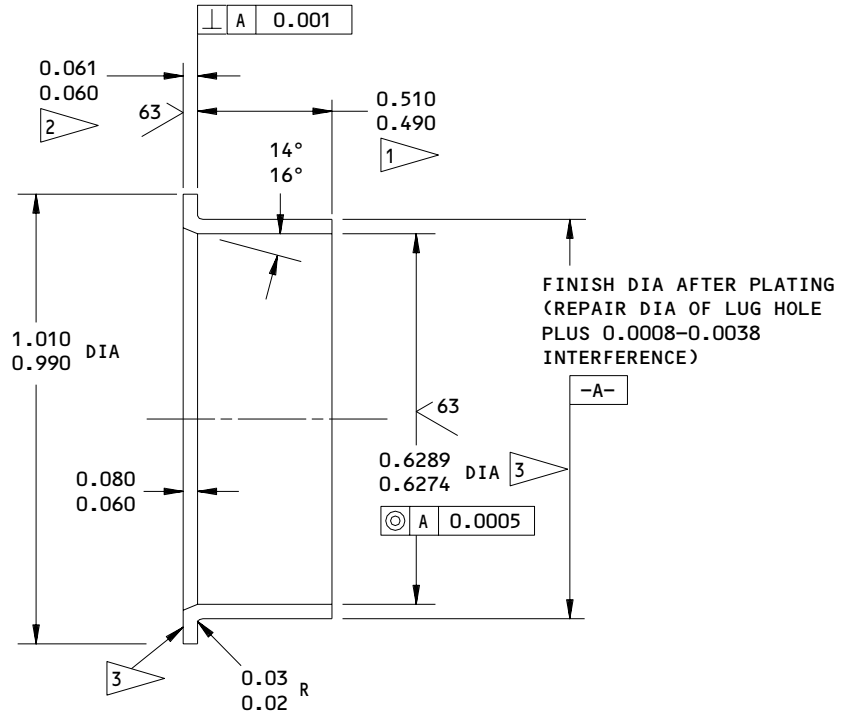
- D = MAX REPAIR DIA OF HOLE (SEE FIG. 601)
- D1 = MAX REPAIR DIA OF GROOVE = (D +0.040)
- L = LENGTH OF BUSHING (SEE FIG. 603)
- U = UNDERCUT = (L X 0.1) (0.06 MAX)
- W = LUG DIM TO EDGE OF GROOVE = (L-U)
- ALL DIMENSIONS ARE IN INCHES

Lug Hole Diameter - Corrosion Removal from Area Between Bushings
 Figure 602

32-21-21

REPAIR 3-2
 Page 604
 Jul 10/83

01



- 1 MINUS AMOUNT REMOVED FROM LUG FACE
- 2 PLUS AMOUNT REMOVED FROM LUG FACE
- 3 DO NOT PLATE

125/ ALL MACHINED SURFACES UNLESS SHOWN DIFFERENTLY

BREAK SHARP EDGES 0.01-0.02R

CADMIUM PLATE (F-15.06, 0.0003 MIN) ALL OVER UNLESS SHOWN DIFFERENTLY BY 3

MATERIAL: AL-NI-BRZ PER AMS 4640 OR 4880

ALL DIMENSIONS ARE IN INCHES

HOLE LOCATION ① FIG. 601 - REPLACES BUSHING (253) 161T1210-40

Oversize Bushing Details
 Figure 603

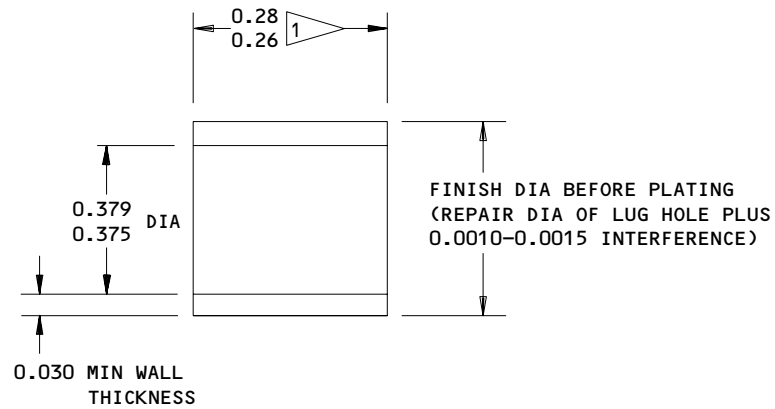
32-21-21

REPAIR 3-2

Page 605

Mar 01/04

01.1



1 ADJUST LENGTH OF SLEEVE FOR A FIT FLUSH WITH OR 0.010 MAXIMUM BELOW SURFACE OF LUG

REPAIR

125 ✓ ALL MACHINED SURFACES UNLESS SHOWN DIFFERENTLY

BREAK SHARP EDGES 0.01-0.02 R

CADMIUM PLATE (0.0003-0.0005 THICK, F-15.06)(OPTIONAL ON INTERNAL SURFACES)

MATERIAL: AL-NI-BRZ, AMS 4640 OR 4880

DIMENSIONS APPLY BEFORE PLATING

ALL DIMENSIONS ARE IN INCHES

HOLE LOCATION (3) FIG. 601

Repair Sleeve Details
 Figure 604

32-21-21

REPAIR 3-2

01.1

Page 606

Jul 01/99

SWIVEL PIN ASSEMBLY - REPAIR 4-1

162T4019-1

NOTE: Refer to REPAIR-GEN for list of applicable standard practices and to IPL Fig. 1 for item numbers.

1. Bushing Replacement (Fig. 601)

- A. Remove the bushings (290).
- B. Install replacement bushings by the shrink-fit method per 20-50-03.
- C. Make a check of the dimensions and machine them as necessary.

NOTE: Machining of bushings after installation is not usually necessary, because bushings and lug faces were made to give the dimensions shown.

- D. Seal bushings per REPAIR 9-1.
- E. Apply grease at the lube fitting until you see grease at the ID of the bushings, to be sure the lube passages are clear.

2. Lube Fitting Replacement (Fig. 601)

- A. Replace lube fitting (285) per CMM 32-00-03.

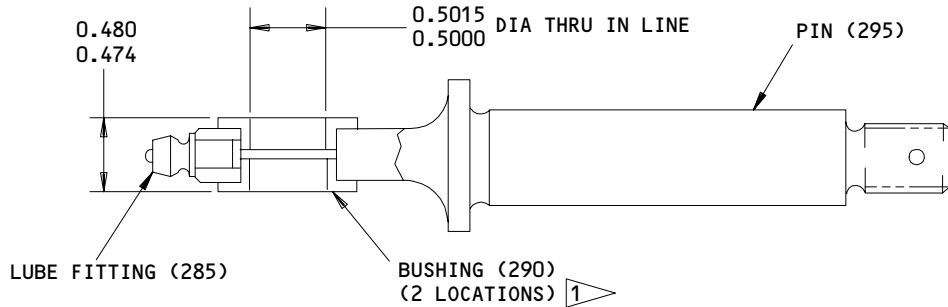
32-21-21

REPAIR 4-1

01.1

Page 601

Nov 01/04



1 SEAL WITH BMS 5-95 SEALANT AS SHOWN IN
FIG. 601, REPAIR 9-1

ITEM NUMBERS REFER TO IPL FIG. 1
ALL DIMENSIONS ARE IN INCHES

162T4019-1

Parts Replacement
Figure 601

60743

32-21-21

REPAIR 4-1

01.1

Page 602

Jun 01/94

SWIVEL PIN ASSEMBLY - REPAIR 4-2

162T4019-2

NOTE: Refer to REPAIR-GEN for a list of applicable standard practices. For repair of surfaces which is only replacement of the original finish, refer to Refinish instructions (Fig. 601).

1. Lug Faces and Holes (Fig. 601)

A. Method 1 -- Removal of Corrosion in Center of Lug ID.

NOTE: This procedure enables corrosion to be removed without machining the entire bore oversize, if corrosion is localized at the center area which is exposed between two bushings.

- (1) Determine repair diameter and width of groove required to remove corrosion (Fig. 602).
- (2) Machine center area as required.
- (3) Cadmium-titanium plate and apply primer, BMS 10-11, type 1.
- (4) Install bushings per REPAIR 4-1.

B. Method 2 -- Installation of Oversize Bushings.

- (1) Machine as required, within repair limits, to remove defects.
- (2) Shot peen. Cadmium-titanium plate. Apply primer, BMS 10-11, type 1.
- (3) Make bushings (Fig. 603) as required, to make allowance for the amount of material removed in step (1).
- (4) Install bushings per REPAIR 4-1.

32-21-21

REPAIR 4-2

01.1

Page 601

Jun 01/94

2. Shank -- Diameter A (Fig. 601)

- A. Machine as required, within repair limits, to remove defects.
- B. Shot peen.
- C. Build up the surface with chrome plate. Grind to design dimensions and finish. Chrome plate thickness must not be more than 0.015 inch after grinding.

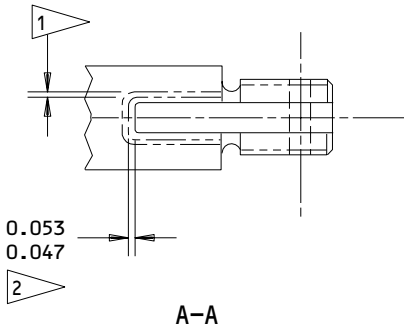
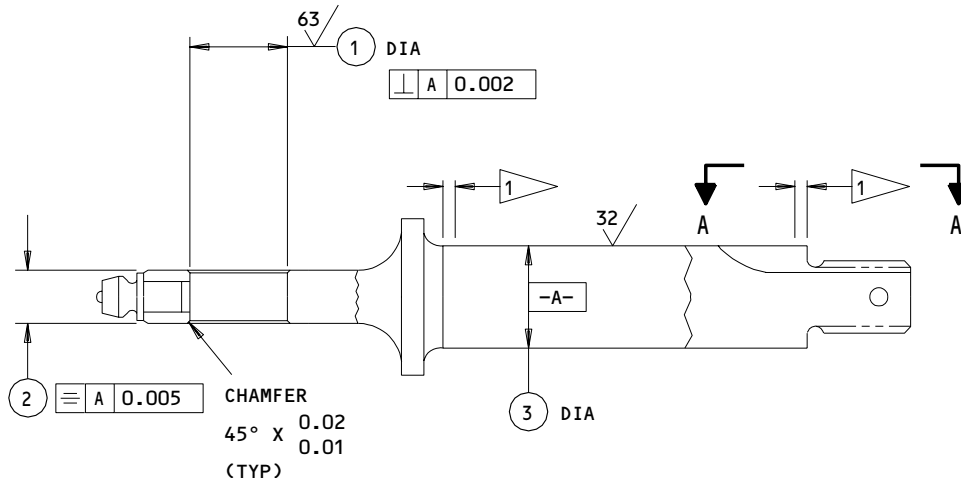
32-21-21

REPAIR 4-2

Page 602

Jul 01/98

01.1



REFERENCE NUMBER	1	2	3
DESIGN DIMENSION	0.6265 0.6250	0.3534 0.3484	0.6245 0.6235 4
REPAIR LIMIT	0.6400 3	0.330 3	0.5935 5

REFINISH

CHROME PLATE (F-15.34) DIA -A-, 0.003 MIN THICKNESS WITH PLATING RUNOUT AS SHOWN BY 1. CADMIUM-TITANIUM PLATE (F-15.01) 0.0005 MIN THICKNESS ON OTHER SURFACES, BUT NOT IN HOLES.

- 1 0.08 MAX CHROME PLATE RUNOUT
- 2 NO CHROME PLATE
- 3 LIMIT FOR INSTALLATION OF OVERSIZE BUSHING
- 4 AFTER PLATING DIMENSION. (BEFORE PLATING DIMENSION IS 0.6165-0.6175)
- 5 LIMIT FOR CHROME PLATE BUILDUP AND GRIND TO DESIGN DIMENSIONS AND FINISH WITH 0.08 MAXIMUM CHROME PLATE RUNOUT AT EDGES AND RELIEFS

REPAIR

REF 3 5

125 ALL MACHINED SURFACES UNLESS SHOWN DIFFERENTLY

SHOT PEEN: RC 55-65 SHOT HEAT TREAT
 0.016-0.033 SHOT SIZE
 0.014-0.018 A2 INTENSITY

MATERIAL: 4340M STEEL, 275-300 KSI
 ALL DIMENSIONS ARE IN INCHES

162T4019-2
 Swivel Pin Repair and Refinish
 Figure 601

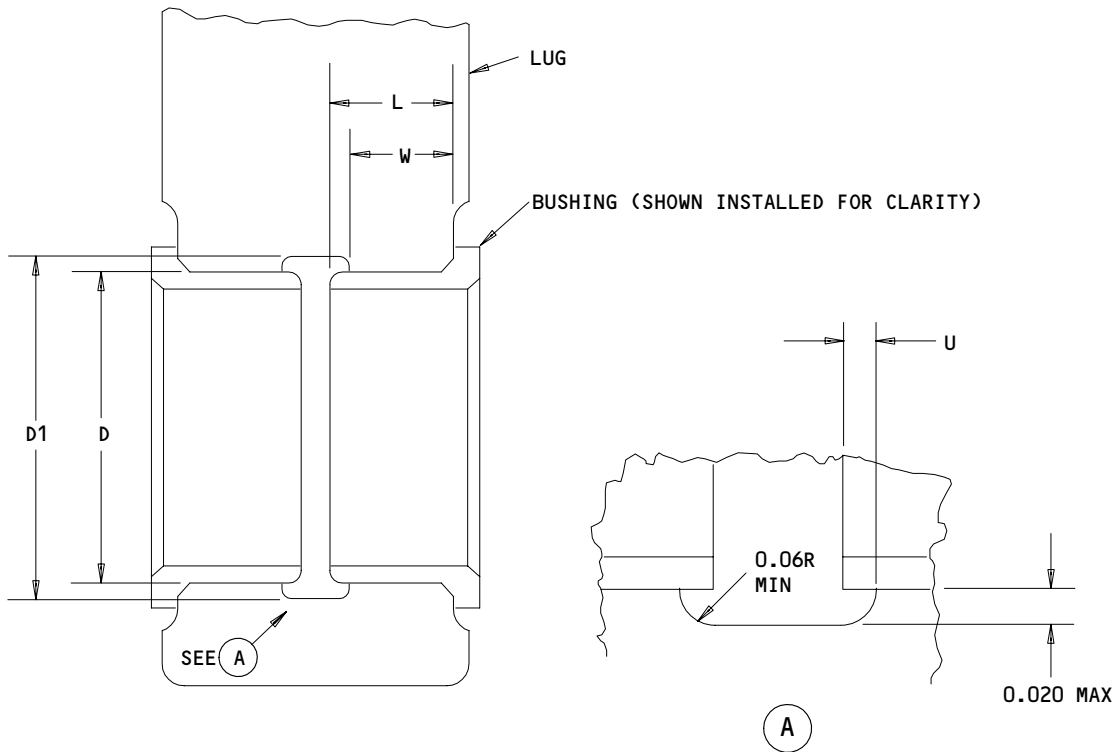
32-21-21

REPAIR 4-2

Page 603

Jul 01/98

01.1



D = MAX REPAIR DIA OF HOLE (SEE FIG. 601)

$D1$ = MAX REPAIR DIA OF GROOVE = $(D + 0.040)$

L = LENGTH OF BUSHING (SEE FIG. 603)

U = UNDERCUT = $(L \times 0.1)$ (0.06 MAX)

W = LUG DIM TO EDGE OF GROOVE = $(L - U)$

ALL DIMENSIONS ARE IN INCHES

Lug Hole Diameter - Corrosion Removal from Area Between Bushings
 Figure 602

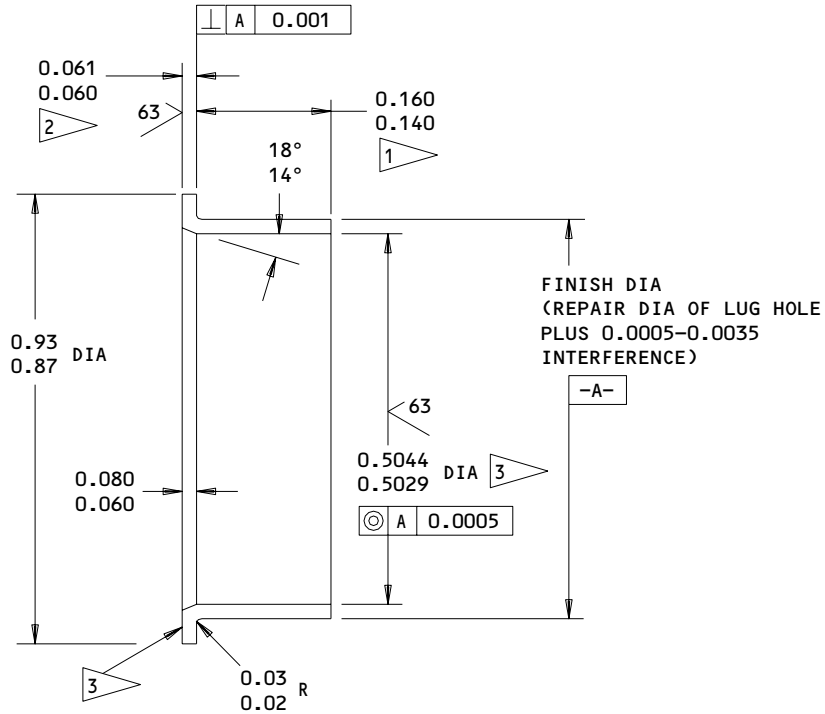
32-21-21

REPAIR 4-2

01.101

Page 604

Jul 01/98



- 1 MINUS AMOUNT REMOVED FROM LUG FACE
- 2 PLUS AMOUNT REMOVED FROM LUG FACE
- 3 DO NOT PLATE

125/ ALL MACHINED SURFACES UNLESS SHOWN DIFFERENTLY

BREAK SHARP EDGES 0.01-0.02 R

CADMIUM PLATE (F-15.06, 0.0003 MIN) ALL OVER UNLESS SHOWN BY 3

MATERIAL: AL-NI-BRZ PER AMS 4640 OR 4880

DIMENSIONS APPLY BEFORE PLATING

ALL DIMENSIONS ARE IN INCHES

HOLE LOCATION ① - REPLACES BUSHING (IPL FIG. 1; 290) 161T1210-15

Oversize Bushing Details
 Figure 603

32-21-21

REPAIR 4-2

01.101

Page 605

Jul 01/98

PULLEY BRACKET ASSEMBLY – REPAIR 5-1

257T4401-1

NOTE: Refer to REPAIR-GENERAL for a list of applicable standard practices. For repair of surfaces which is only replacement of the original finish, refer to Refinish instructions in REPAIR 5-2.

1. Bearing Replacement

- A. Remove the old bearing (480).
- B. If you find defects on the bracket surfaces, refer to REPAIR 5-2 for repair instructions.
- C. Install a replacement bearing with wet BMS 5-95 sealant.
- D. Roller swage the bearing on each side

32-21-21

REPAIR 5-1

01.1

Page 601

Jun 01/96



PULLEY BRACKET - REPAIR 5-2

257T4401-2

NOTE: Refer to REPAIR-GENERAL for a list of applicable standard practices. For repair of surfaces which is only replacement of the original finish, refer to Refinish instructions (Fig. 601).

1. Bore for Bearing (Fig. 601)

- A. Machine the bore as required, within repair limits, to remove defects.
- B. Penetrant examine.
- C. Make a repair sleeve (Fig. 602).
- D. Install the sleeve in the bracket by the shrink-fit method with BMS 5-95 sealant. Then chemical treat the bore of the sleeve.
- E. Install the bearing into the sleeve by the shrink-fit method with BMS 5-95 sealant.
- F. Roller swage the sleeve over the bearing and the bracket. Machine the sleeve surfaces, if necessary.

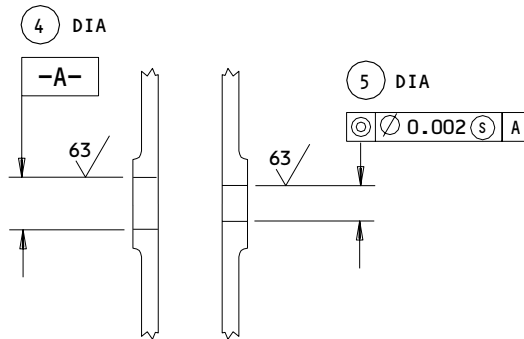
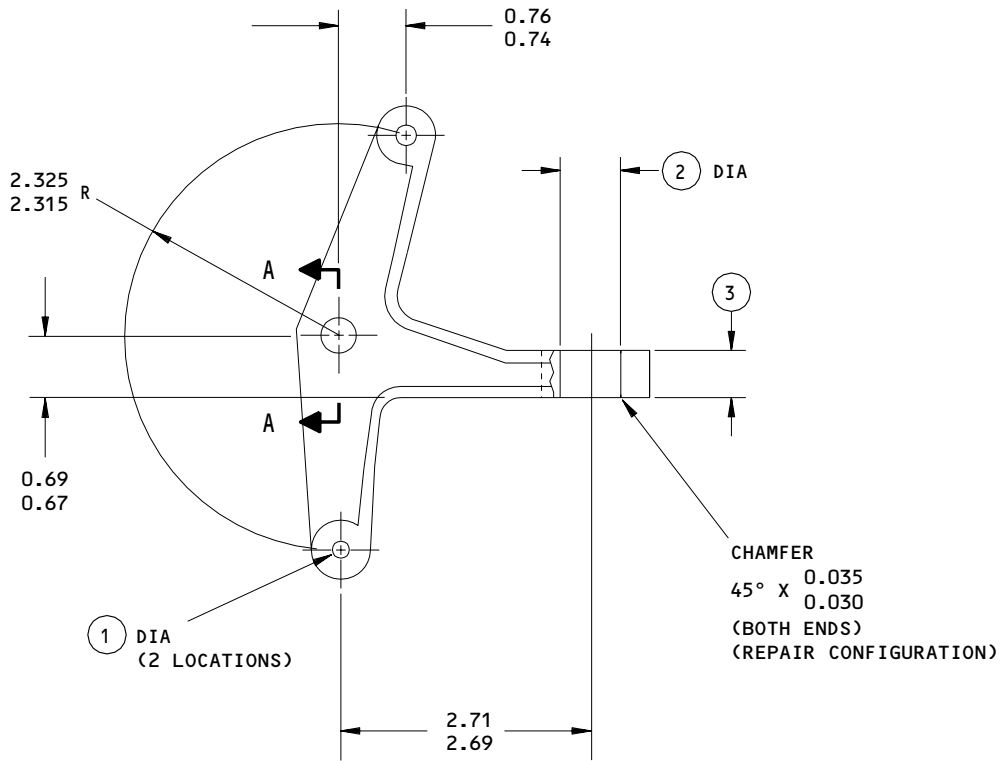
32-21-21

REPAIR 5-2

01.1

Page 601

Sep 01/97



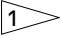
A-A

257T4401-2
 Pulley Bracket Repair and Refinish
 Figure 601 (Sheet 1)

32-21-21

REPAIR 5-2
 Page 602
 Jun 01/96

01.1

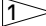
REFERENCE NUMBER	①	②	③	④	⑤
DESIGN DIMENSION	0.194 0.190	0.6243 0.6238	0.515 0.500	0.379 0.375	0.254 0.250
REPAIR LIMIT 	----	0.6853 0.6828	----	----	----

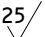
REFINISH

CHROMIC ACID ANODIZE (F-17.05) ALL OVER.
 APPLY BMS 10-11, TYPE 1 PRIMER (F-20.02) ALL OVER, BUT NOT IN THE HOLES. AFTER BEARING INSTALLATION, APPLY GRAY GLOSS ENAMEL BMS 10-60 (SRF-14.9813) ALL OVER, BUT NOT IN HOLES.

 RANGE FOR INSTALLATION OF REPAIR SLEEVE (FIG. 602) AND STANDARD BEARING (480).

REPAIR

REF 

125/  ALL MACHINED SURFACES UNLESS SHOWN DIFFERENTLY

MATERIAL: AL ALLOY

ITEM NUMBERS REFER TO IPL FIG. 3

ALL DIMENSIONS ARE IN INCHES

257T4401-2
 Pulley Bracket Repair and Refinish
 Figure 601 (Sheet 2)

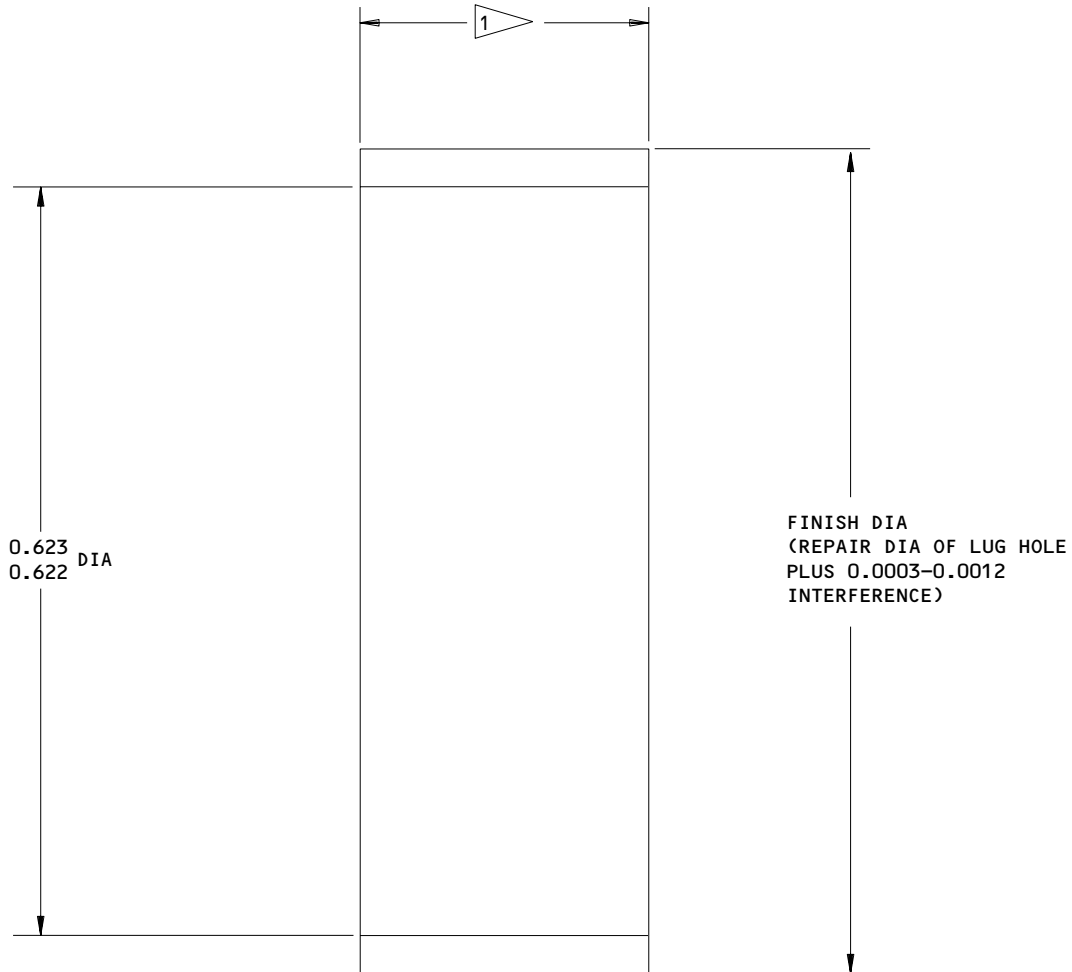
32-21-21

REPAIR 5-2

Page 603

Jun 01/96

01.1



FINISH

CHROMIC ACID ANODIZE (REF 20-43-01)

1 LUG THICKNESS PLUS 0.158
 0.152

125/ ALL MACHINED SURFACES UNLESS SHOWN
 DIFFERENTLY

BREAK SHARP EDGES

MATERIAL: AL ALLOY 6061-T6

ALL DIMENSIONS ARE IN INCHES

HOLE LOCATION **2** FIG. 601

Repair Sleeve Details
 Figure 602

32-21-21

REPAIR 5-2

Page 604

Jun 01/96

01.1

LEVER ASSEMBLY – REPAIR 6-1

257T4402-4, -6

NOTE: Refer to REPAIR-GEN for a list of applicable standard practices. Refer to IPL Fig. 3 for item numbers. For repair of surfaces which is only replacement of the original finish, refer to Refinish instructions in REPAIR 6-2.

1. Bushing Replacement (Fig. 601)

- A. Remove the old bushings.
- B. If you find defects on the lever surfaces, refer to REPAIR 6-2 for repair instructions.
- C. Install replacement bushings (830) by the shrink fit method (SOPM 20-50-03).
- D. Install replacement bushing (835). Roller swage this bushing as shown.
- E. Make a check of the dimensions and machine them as necessary.

NOTE: Machining of bushings after installation is not usually necessary, because bushings and lug faces come machined to give dimensions shown.

2. Bearing (825) Replacement (Fig. 601)

- A. Remove the old bearing.
- B. If you find defects on the lever surfaces, refer to REPAIR 6-2 for repair instructions.
- C. Install the replacement bearing with wet sealant BMS 5-95, and roller swage it per 20-50-03.

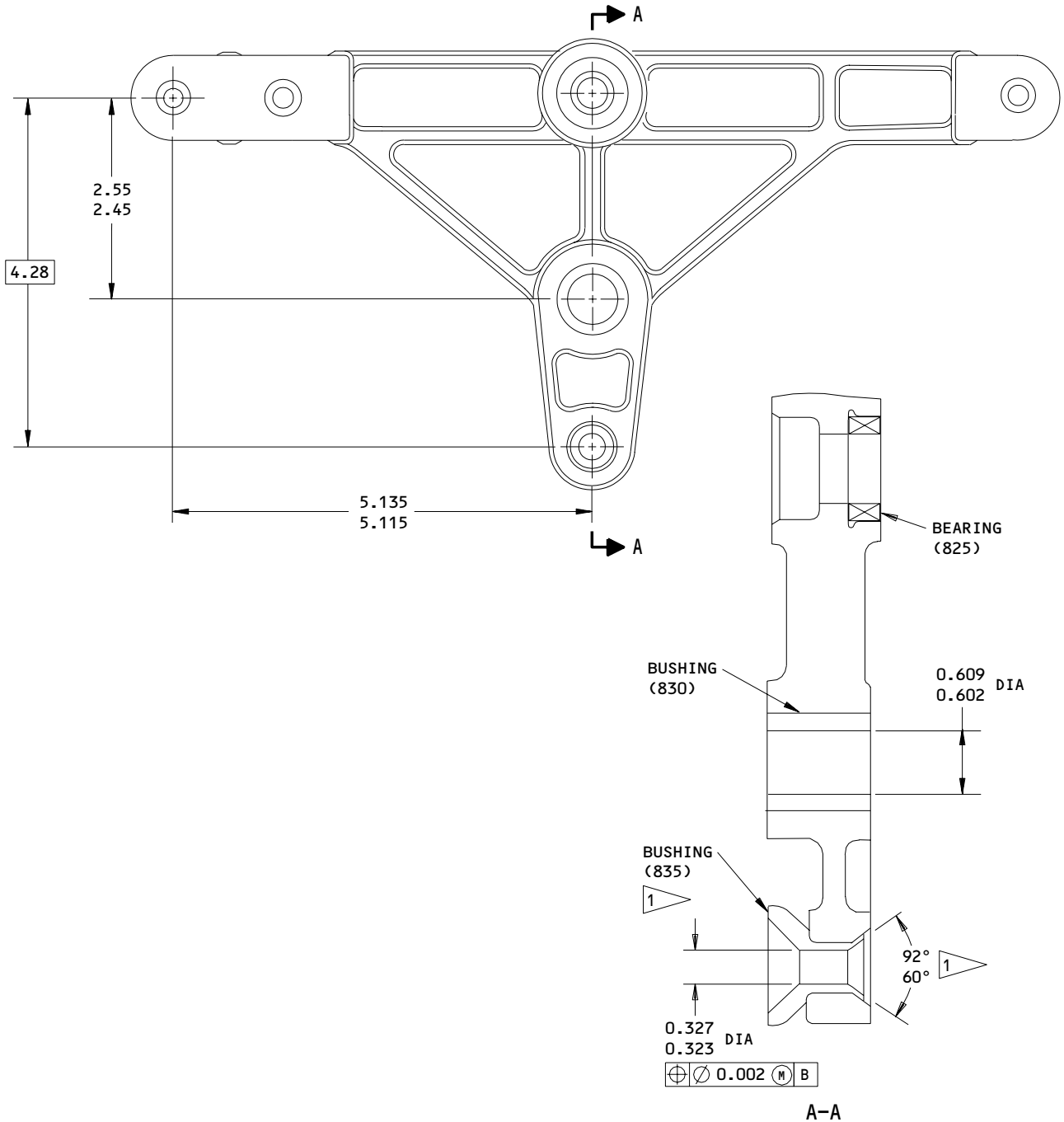
32-21-21

REPAIR 6-1

01.1

Page 601

Nov 01/04



1 SWAGE INTO COUNTERSINK AS SHOWN.
 CIRCUMFERENTIAL CRACKS ARE NOT
 PERMITTED IN THE FORMED AREA OF THE
 BUSHING AFTER SWAGING. SMALL RADIAL
 SURFACE CRACKS ARE PERMITTED

ITEM NUMBERS REFER TO IPL FIG. 3
 ALL DIMENSIONS ARE IN INCHES

257T4402-4,-6
 Lever Parts Replacement
 Figure 601

32-21-21

REPAIR 6-1

Page 602

Jun 01/96

01.1

LEVER - REPAIR 6-2

257T4402-5, -7

NOTE: Refer to REPAIR - GENERAL for a list of applicable standard practices. Refer to IPL Fig. 3 for item numbers. For repair of surfaces which is only replacement of the original finish, refer to Refinish instructions in Fig. 601.

1. Diameters 2, 3, 4, 8, 9 (Fig. 601)

- A. Machine as required, within repair limits, to remove defects.
- B. Make repair bushings (Fig. 602, 603) as required to adjust for the material removed.
- C. Install the repair bushings by the shrink-fit method (SOPM 20-50-03).
- D. Machine the bushings to design dimensions and finish.

2. Diameter 5 - Bore for Bearing (825) (Fig. 601)

- A. Machine as required, within repair limits, to remove defects.
- B. Penetrant examine.
- C. Make a split repair sleeve (Fig. 604).
- D. Install the sleeve with BMS 5-95 sealant. Then fill the split with BMS 5-95 sealant.
- E. Press fit the bearing into the sleeve.
- F. Roller swage the sleeve over the bearing. Machine the sleeve surfaces, if necessary.
- G. Do a push-out load test of the bearing.
- H. Fill all gaps between the sleeve and the lever with BMS 5-95 sealant.

32-21-21

REPAIR 6-2

01.1

Page 601

Nov 01/03

3. Diameter 6 (Fig. 601)

A. Method 1 – Split sleeve (Optional to Method 2)

- (1) Machine as required, within repair limits, to remove defects.
- (2) Penetrant examine.
- (3) Make a split repair sleeve (Fig. 605).
- (4) Install a replacement bearing (825) in the Diameter 5 bore per REPAIR 6-1 or, if Diameter 5 is also oversized, after you install its repair sleeve per par. 2. above.
- (5) Install a replacement spacer (715) in the central bore from the Diameter 6 end, down against the installed bearing (825).
- (6) Install the sleeve with BMS 5-95 sealant. Then fill the split with BMS 5-95 sealant.
- (7) Press fit a replacement bearing (815) into the sleeve.
- (8) Roller swage the sleeve over the bearing. Machine the sleeve surfaces, if necessary.
- (9) Do a push-out load test of the bearing.
- (10) Fill all gaps between the sleeve and the lever with BMS 5-95 sealant.

B. Method 2 – Installation of repair sleeve (Preferred)

- (1) Machine as required, within repair limits, to remove defects.
- (2) Make a repair sleeve (Fig. 602) as required to adjust for the material removed.
- (3) Install the repair sleeve by the shrink-fit method (SOPM 20-50-03).
- (4) Machine the sleeve to design dimensions and finish.
- (5) Install a replacement spacer (715) and bearing (815) after you install bearing (825) in the Diameter 5 bore per REPAIR 6-1 or, if Diameter 5 is also oversized, after you install bearing (825) per par. 2. above.

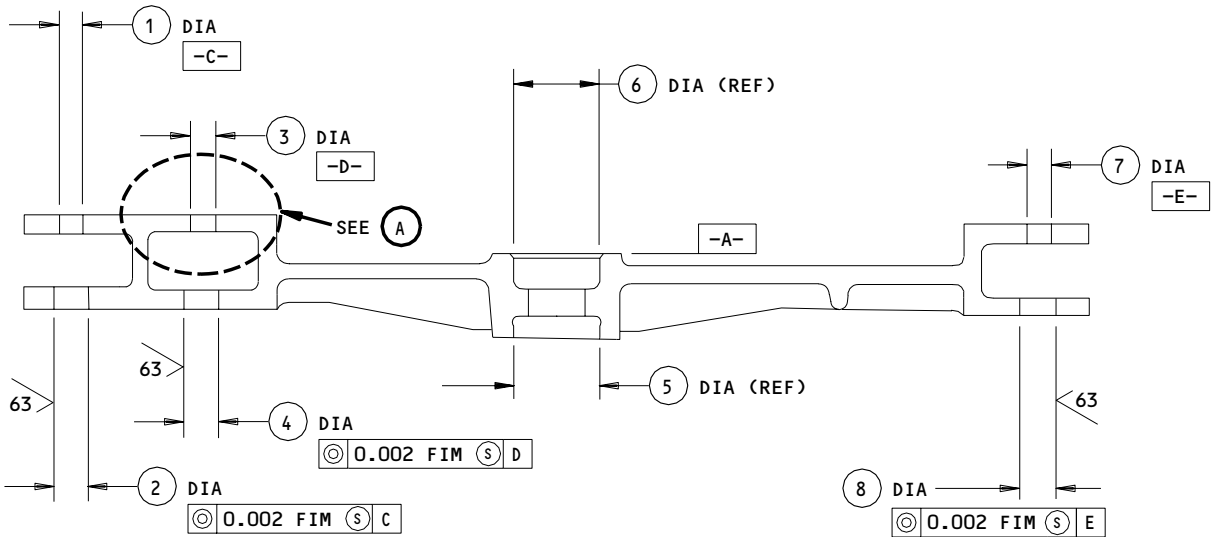
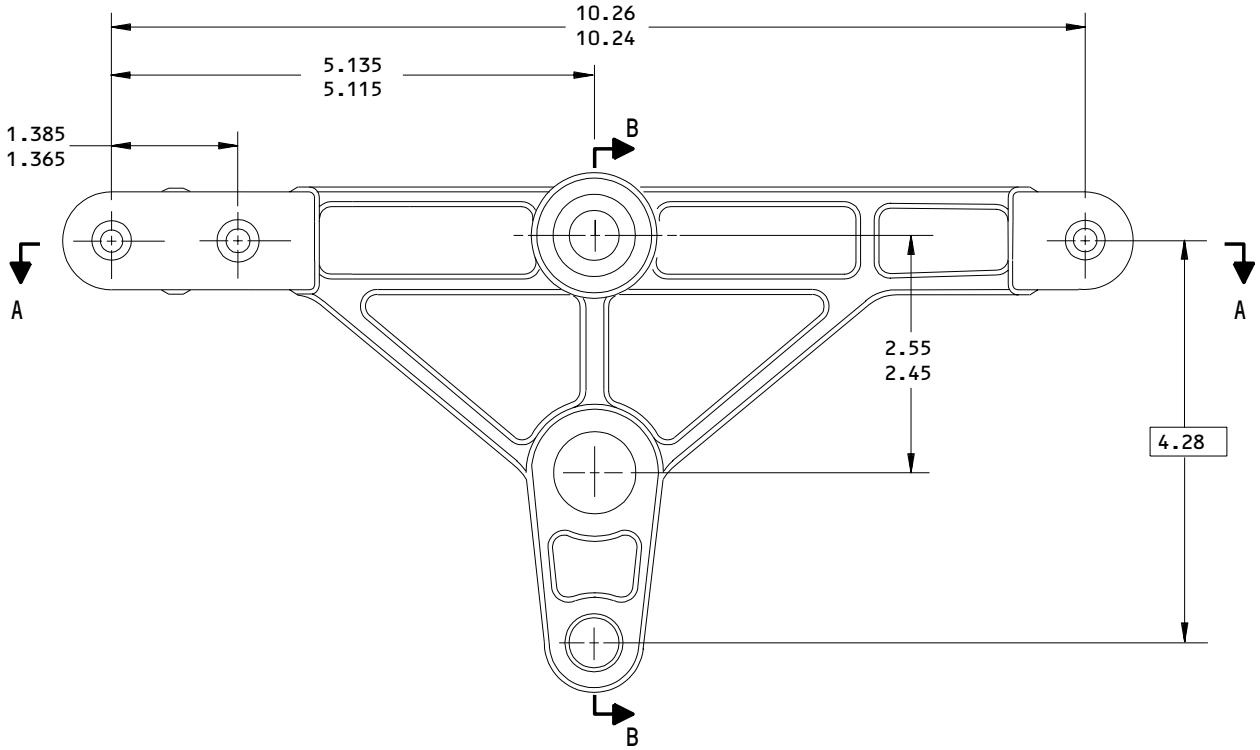
32-21-21

REPAIR 6-2

01.1

Page 602

Nov 01/04



A-A

ALL DIMENSIONS ARE IN INCHES

257T4402-5,-7
Lever Repair and Refinish
Figure 601 (Sheet 1)

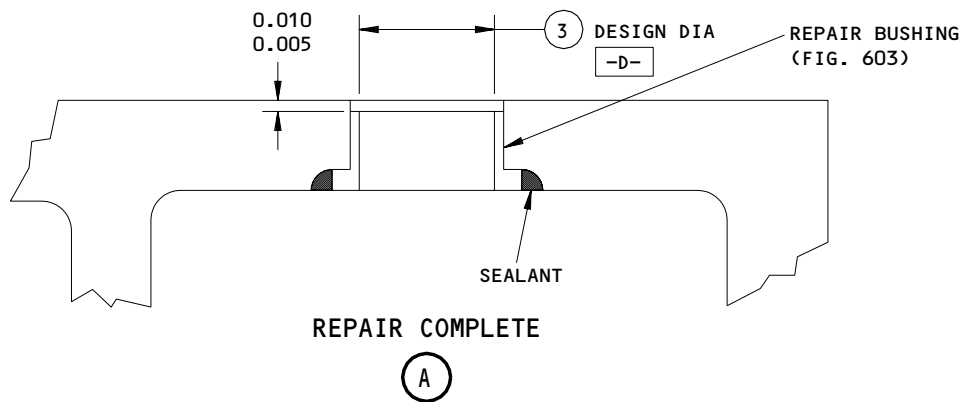
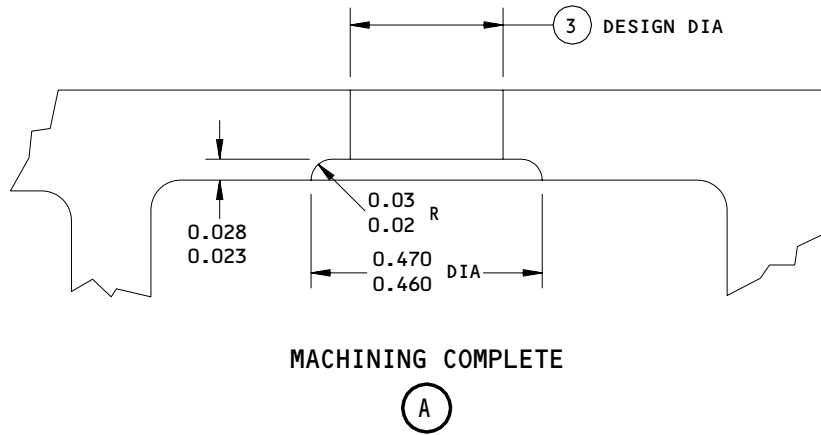
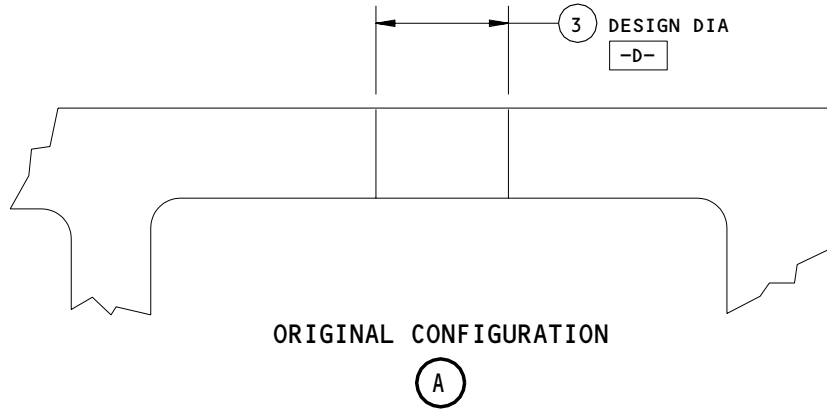
32-21-21

REPAIR 6-2

Page 603

Mar 01/00

01.1



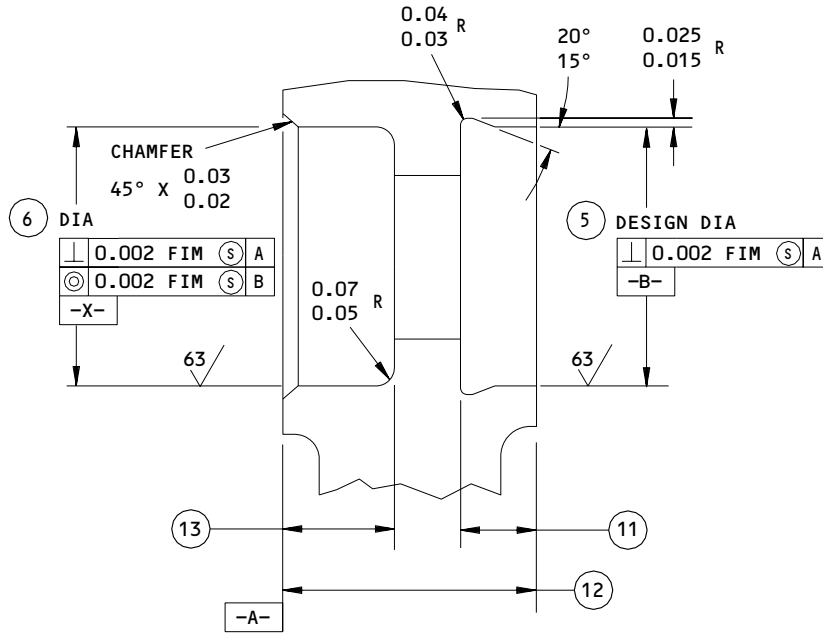
257T4402-5,-7
 Lever Repair and Refinish
 Figure 601 (Sheet 2)

32-21-21

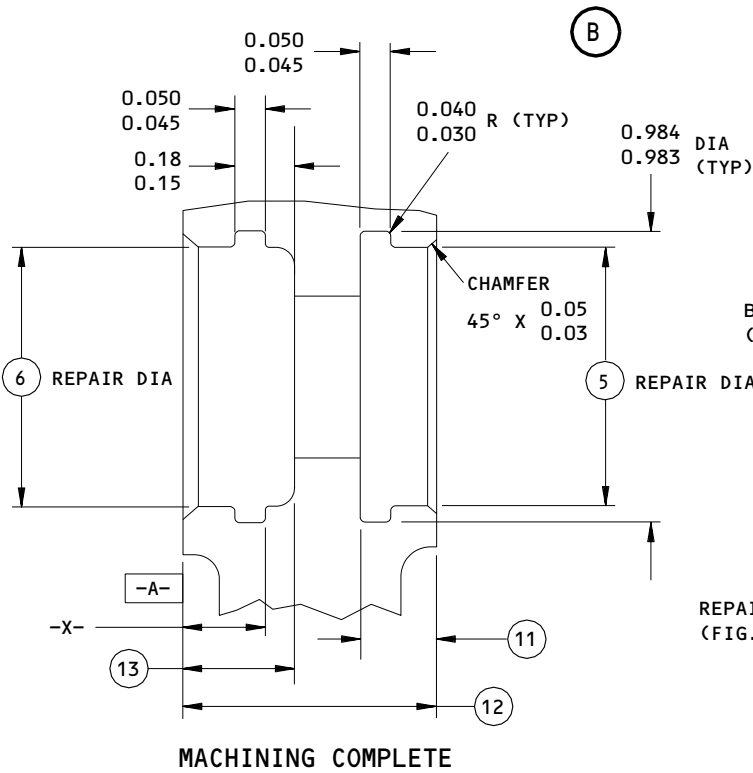
REPAIR 6-2
 Page 604
 Mar 01/00

01.1

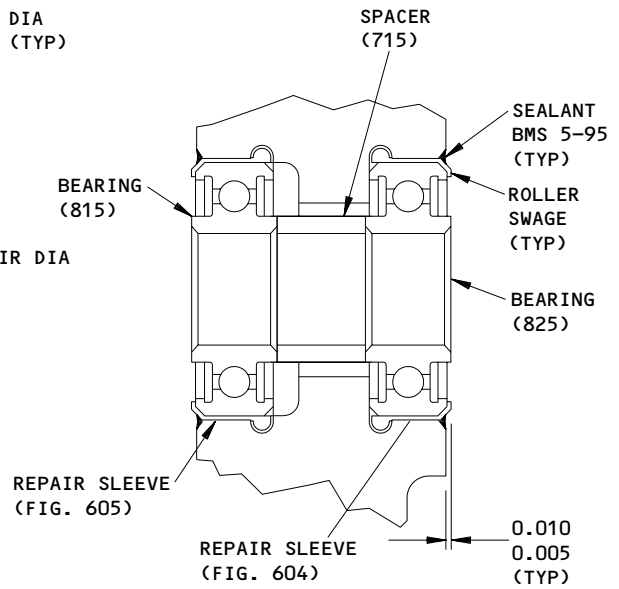
COMPONENT
MAINTENANCE MANUAL



ORIGINAL CONFIGURATION



MACHINING COMPLETE



REPAIR COMPLETE

257T4402-5,-7
Lever Repair and Refinish
Figure 601 (Sheet 4)

32-21-21

REPAIR 6-2

Page 606

Nov 01/04

01.1

REFERENCE NUMBER	①	②	③	④	⑤	⑥	⑦	⑧	⑨
DESIGN DIMENSION	0.254 0.250	0.379 0.377	0.254 0.250	0.379 0.377	0.8743 0.8738	0.8743 0.8738	0.254 0.250	0.379 0.377	0.8132 0.8125
REPAIR LIMIT	----	0.440 1	0.313 1	0.440 1	0.9750 0.9338 2	0.9750 1 0.9750 0.9338 2	----	0.440 1	0.830 1

REFERENCE NUMBER	⑩	⑪	⑫	⑬
DESIGN DIMENSION	0.4380 0.4375	0.265 0.250	0.90 0.88	0.39 0.37
REPAIR LIMIT	----	----	----	----

REFINISH

CHROMIC ACID ANODIZE AND APPLY BMS 10-11, TYPE 1 PRIMER (F-18.13) ALL OVER BUT NOT IN HOLES. APPLY BMS 10-60 GRAY GLOSS ENAMEL (F-14.9813, WHICH REPLACES SRF-14.9813) ALL OVER AFTER BUSHING AND BEARING INSTALLATION, BUT NOT IN BUSHING AND BEARING BORES OR HOLES.

- 1 LIMIT FOR INSTALLATION OF REPAIR BUSHING (FIG. 602,603)
- 2 RANGE FOR INSTALLATION OF SPLIT SLEEVE (FIG. 604,605) AND STANDARD BEARING ((815,825)

REPAIR

REF 1 2

125/ ALL MACHINED SURFACES UNLESS SHOWN DIFFERENTLY

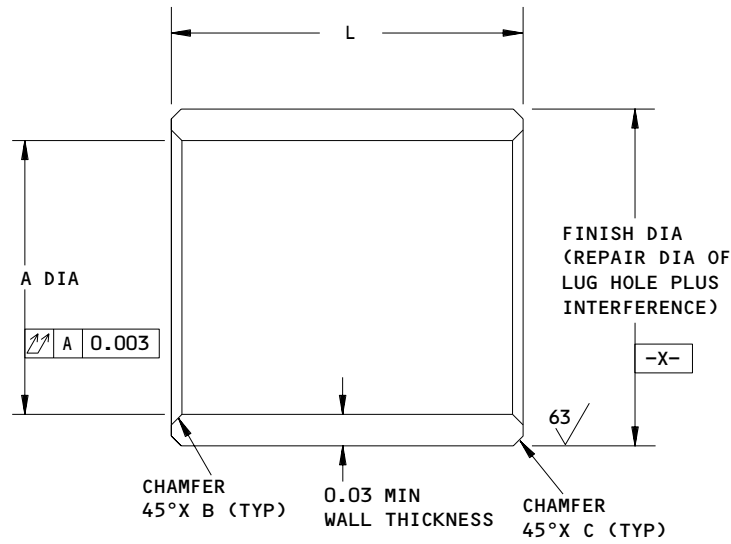
MATERIAL: AL ALLOY

ALL DIMENSIONS ARE IN INCHES

257T4402-5,-7
 Lever Repair and Refinish
 Figure 601 (Sheet 5)

32-21-21
 REPAIR 6-2
 Page 607
 Mar 01/00

01.1



HOLE LOCATION (FIG. 601)	A	B	C	L	INTERFERENCE	MATERIAL	FINISH
② ④ ⑧	0.379 0.377	--	0.015 0.005	0.19 0.17 ¹	0.0014 0.0003	AL-NI-BRZ AMS 4640	F-15.06
⑥ (OPT)	0.8743 0.8738	0.035 0.025	0.07 0.06	0.39 0.37 ¹	0.0021 0.0008	2024T3 AL ALLOY	F-17.02
⑨	0.616 0.607	0.02 0.01	0.015 0.005	0.840 0.835	0.0017 0.0000	17-4PH 180-200 KSI	F-17.13

¹ LENGTH AS REQUIRED FOR 0.005-0.010 FIT BELOW LUG SURFACE (FIG. 601)

¹²⁵ ALL MACHINED SURFACES UNLESS SHOWN DIFFERENTLY

BREAK SHARP EDGES 0.01-0.02R

MATERIAL: AS NOTED

FINISH: AS NOTED

ALL DIMENSIONS ARE IN INCHES

Repair Bushing Details
 Figure 602

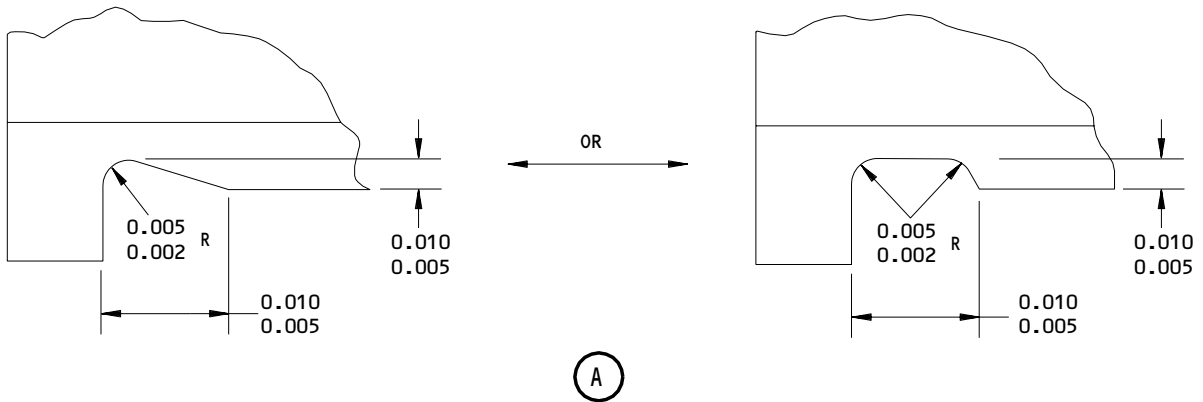
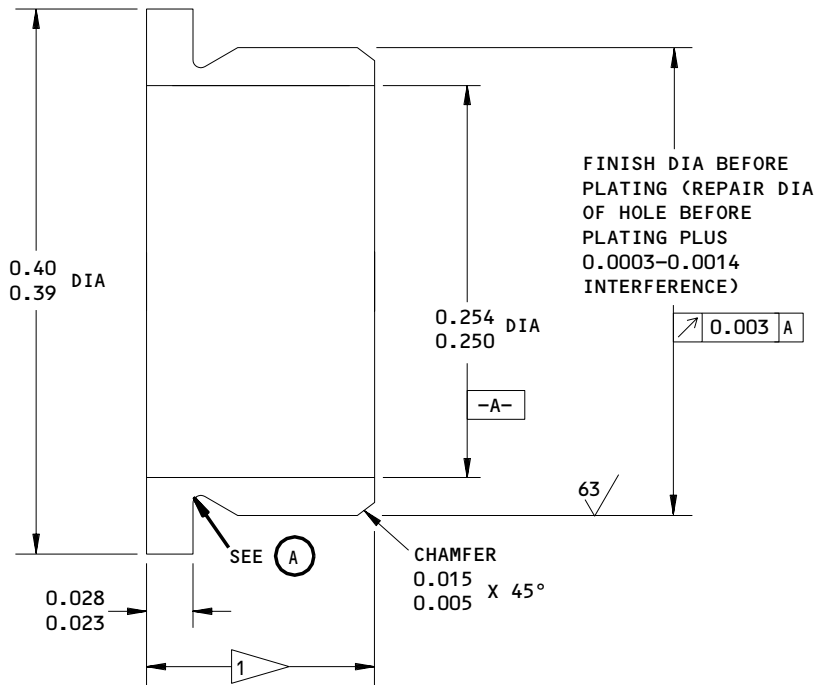
32-21-21

REPAIR 6-2

Page 608

Mar 01/00

01.1



1 LENGTH AS REQUIRED FOR 0.005-0.010 FIT BELOW LUG SURFACE (FIG. 601)

125 ALL MACHINED SURFACES UNLESS SHOWN DIFFERENTLY

BREAK SHARP EDGES

CADMIUM PLATE (F-15.06) ALL OVER BUT NOT IN BORE

MATERIAL: 15-5PH OR 17-4PH CRES, 180-200 KSI

DIMENSIONS AFTER PLATING

ALL DIMENSIONS ARE IN INCHES

HOLE LOCATION (3) FIG. 601

Repair Bushing Details
 Figure 603

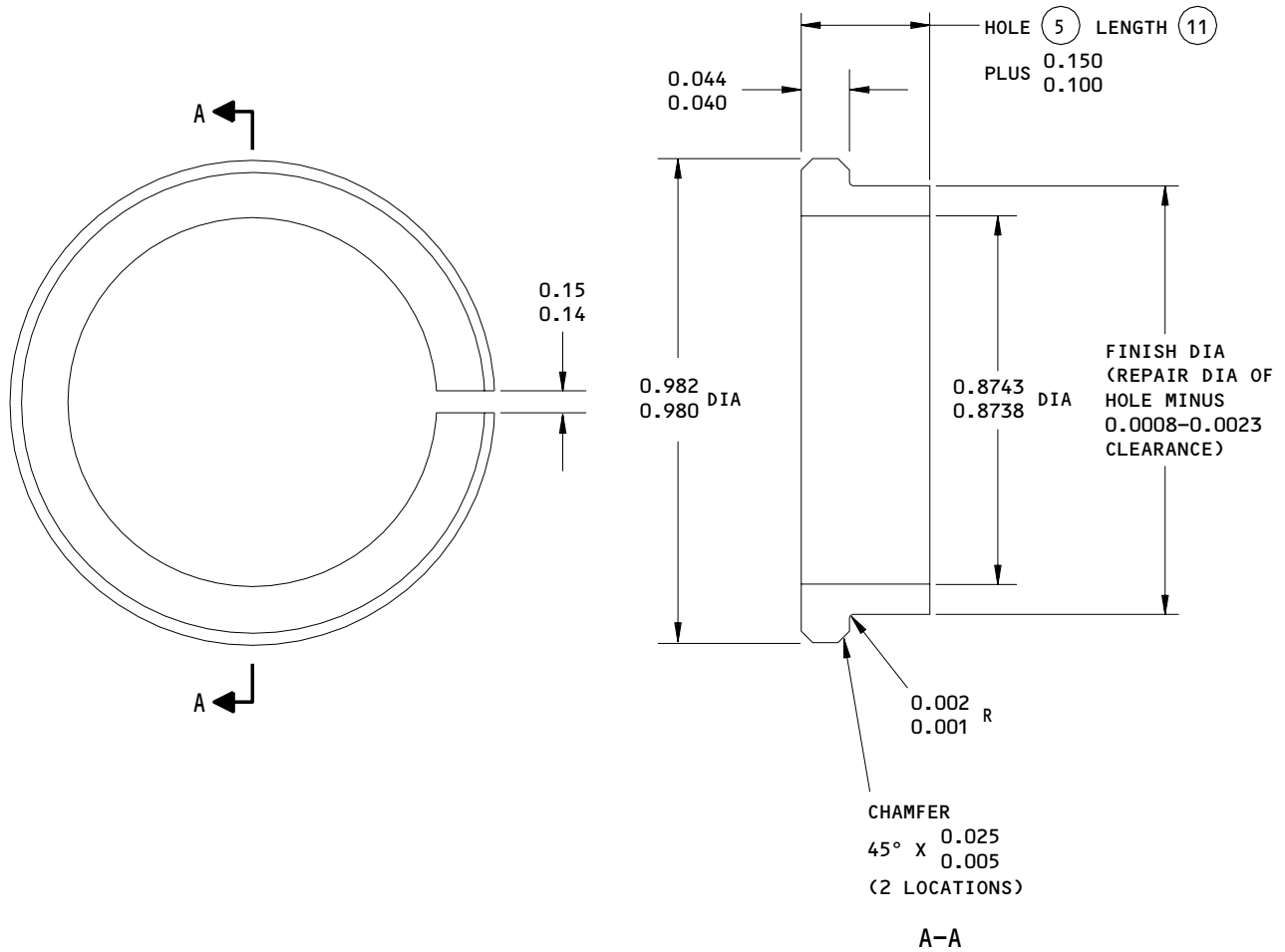
32-21-21

REPAIR 6-2

01.1

Page 609

Mar 01/00



FINISH

CHROMIC ACID ANODIZE (F-17.02)

REPAIR

125/ ALL MACHINED SURFACES UNLESS SHOWN
 DIFFERENTLY

BREAK SHARP EDGES

MATERIAL: 2024T3 AL ALLOY

DIMENSIONS APPLY BEFORE SPLIT

ALL DIMENSIONS ARE IN INCHES

HOLE LOCATION (5) FIG. 601

Repair Sleeve Details
 Figure 604

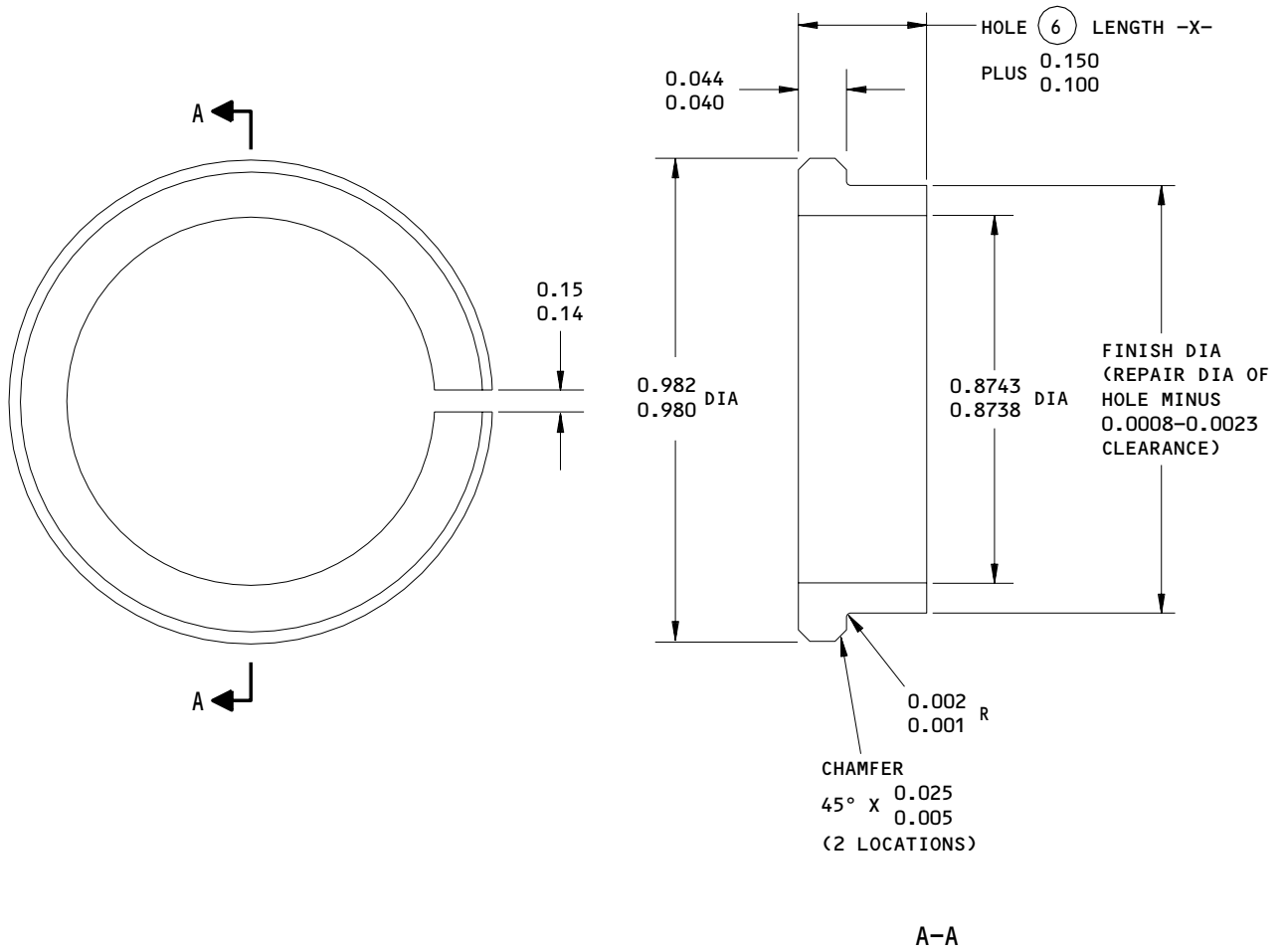
32-21-21

REPAIR 6-2

01.1

Page 610

Mar 01/00



FINISH

CHROMIC ACID ANODIZE (F-17.02)

REPAIR

125/ ALL MACHINED SURFACES UNLESS SHOWN
DIFFERENTLY

BREAK SHARP EDGES

MATERIAL: 2024T3 AL ALLOY

DIMENSIONS APPLY BEFORE SPLIT

ALL DIMENSIONS ARE IN INCHES

HOLE LOCATION (6) FIG. 601

Repair Sleeve Details
 Figure 605

32-21-21

REPAIR 6-2

Page 611

Jul 01/02

01.1

MOUNTING PLATE ASSEMBLY -- REPAIR 7-1

257T4403-1

NOTE: Refer to REPAIR-GENERAL for a list of applicable standard practices. For repair of surfaces which is only replacement of the original finish, refer to Refinish instructions in REPAIR 7-2.

1. Bushing Replacement (Fig. 601)

- A. Remove the old bushings.
- B. If you find defects on the mounting plate, refer to REPAIR 7-2 for repair instructions.
- C. Install replacement bushings and roller swage them in position per SOPM 20-50-03.
- D. Make a check of the dimensions and machine them as necessary.

NOTE: Machining of bushings after installation is not usually necessary because bushings and lug faces are premachined to give the dimensions shown.

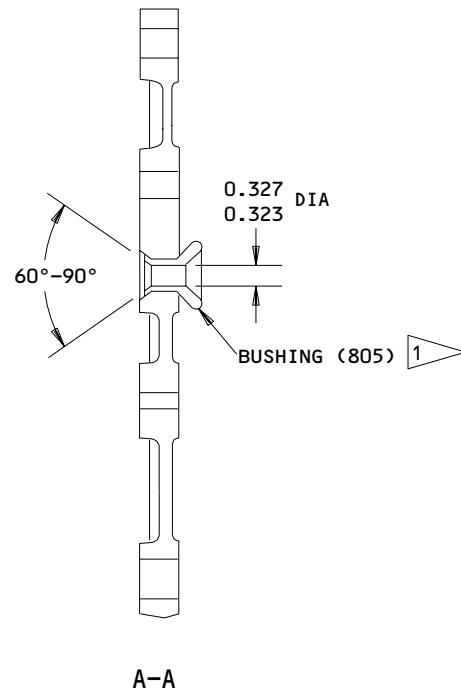
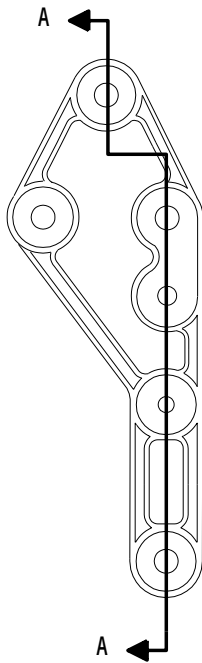
32-21-21

REPAIR 7-1

01.1

Page 601

Mar 01/00



1 SWAGE INTO COUNTERSINK AS SHOWN. THERE SHALL BE NO CIRCUMFERENTIAL CRACKS IN THE FORMED AREA OF THE BUSHING AFTER SWAGING. SMALL RADIAL SURFACE CRACKS ARE PERMITTED

257T4403-1
 Bushing Replacement
 Figure 601

32-21-21

REPAIR 7-1
 Page 602
 Jul 10/83

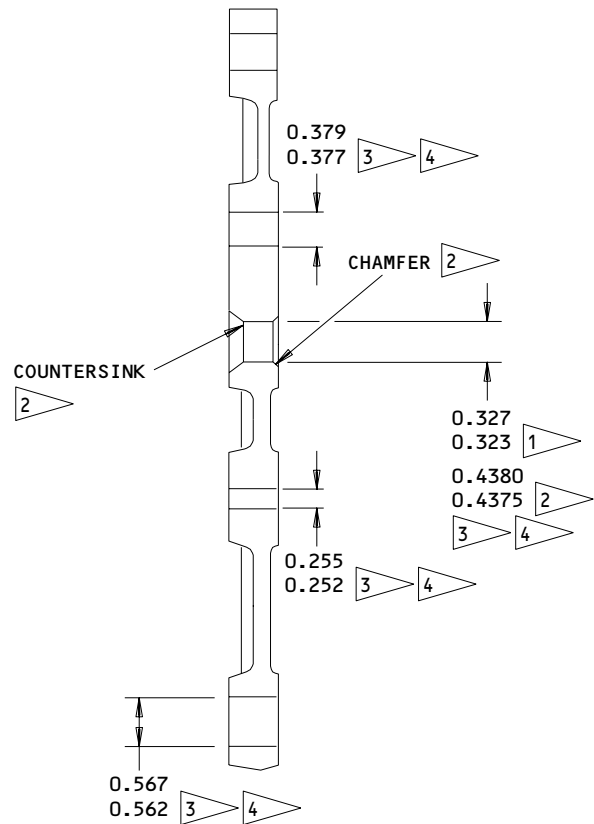
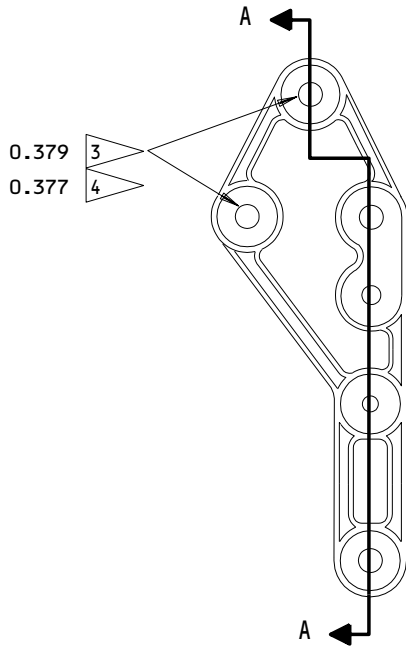
01

MOUNTING PLATE – REPAIR 7-2

257T4403-2, -3

1. Repair

A. Repair consists of stripping and restoration of original finish. Refer to Refinish instructions in Fig. 601 and to REPAIR-GEN for list of applicable standard practices.



A-A

MATERIAL: 7075-T73 AL ALLOY

ALL DIMENSIONS ARE IN INCHES

REFINISH

CHROMIC ACID ANODIZE AND APPLY ONE COAT BMS 10-11, TYPE 1 PRIMER (F-18.13) ALL OVER EXCEPT AS NOTED BY 3. APPLY GRAY GLOSS BMS 10-60 ENAMEL ALL OVER (AFTER BUSHING INSTALLATION ON 257T4403-2) EXCEPT AS NOTED BY 4

- 1 257T4403-3 ONLY
- 2 257T4403-2 ONLY
- 3 APPLY NO PRIMER
- 4 APPLY NO ENAMEL

257T4403-2,-3
 Mounting Plate Refinish
 Figure 601

32-21-21

REPAIR 7-2

01.1

Page 601

Jan 01/92

MISCELLANEOUS PARTS REFINISH – REPAIR 8-1

1. Repair of these parts is only replacement of the original finish. Refer to REPAIR-GENERAL for a list of applicable standard practices.

IPL FIG. & ITEM	MATERIAL	FINISH
<u>Fig. 1</u>		
Caps (95,100)	15-5PH CRES 180-200 ksi	Passivate (F-17.25, which replaces F-17.09) all over.
Axle Nut (122)	4340M Steel 180-200 ksi	Cadmium plate (F-15.02). Apply BMS 10-11, Type 1 primer (F-20.02) and BMS 10-60 enamel (F-14.9813, which replaces SRF-14.9813) but not on threads. Wipe threads with primer (F-19.45).
Axle washer (127)	17-4PH CRES	Passivate (F-17.25, which replaces F-17.09) all over. Cadmium plate (F-15.06) all over.
Washer (270)	4340M Steel 180-200 ksi	Cadmium plate and apply BMS 10-11, Type 1 primer (F-16.01) to ID and washer faces. Apply BMS 10-60 enamel (F-14.9813, which replaces SRF-14.9813) to OD of washer only.
Terminal (315)	Phosphor-Bronze	Cadmium plate (F-15.06) all over.
Shaft Assy (360, 362)	Al Alloy	Apply BMS 10-60 gray gloss enamel (F-14.9813, which replaces SRF-14.9813) but not on bushing, bolt, nut, washers, spring, or in holes.
Shaft (375), Arm (370)	Al alloy	Chromic acid anodize and apply BMS 10-11, Type 1 primer (F-18.13).

Refinish Details
 Figure 601 (Sheet 1)

32-21-21

REPAIR 8-1

01.1

Page 601

Nov 01/05

IPL FIG. & ITEM	MATERIAL	FINISH
Spring (382)	17-7PH CRES Wire	Passivate (F-17.25, which replaces F-17.09) all over.
Lever (383,383M), Latch (422)	Al alloy	Chromic acid anodize and apply BMS 10-11, Type 1, primer (F-18.13).
Plate (550), Channel (595,635, 665,685), Bracket (610)	Al alloy	Chemical treat and apply BMS 10-11, Type 1, primer (F-18.06) and BMS 10-60 gray gloss enamel (F-14.9813, which replaces SRF-14.9813) all over.
Channel Assy (570), Bracket Assy (600)		Apply BMS 10-11, Type 1 primer (F-14.995, which replaces SRF-14.995) and BMS 10-60 enamel (F-14.9813, which replaces SRF-14.9813) to bare areas.
<u>Fig. 2</u>		
Channel (65)	Al alloy	Chromic acid anodize and apply BMS 10-11, Type 1 primer (F-18.05) all over.
Bracket (90)	Al alloy	Chromic acid anodize (F-17.04) and apply BMS 10-11, Type 1 primer (F-20.02) and BMS 10-60 gray gloss enamel (F-14.9813, which replaces SRF-14.9813) all over.
Bracket (110)	Al alloy	Chemical treat and apply BMS 10-11, Type 1 primer (F-18.06) and BMS 10-60 enamel (F-14.9813, which replaces SRF-14.9813) all over.
Bracket (120)	15-5PH CRES 150-170 ksi	Cadmium plate (F-15.06) and apply BMS 10-11, Type 1 primer (F-20.02) and BMS 10-60 enamel (F-14.9813 which replaces SRF-14.9813) all over.

Refinish Details
 Figure 601 (Sheet 2)

32-21-21

REPAIR 8-1

01.1 Page 602

Nov 01/05


BOEING
 COMPONENT
 MAINTENANCE MANUAL

IPL FIG. & ITEM	MATERIAL	FINISH
<u>Fig. 3</u>		
Cover (85A,235A)	Al alloy	Chemical treat and apply BMS 10-11, Type 1 primer (F-18.06) and BMS 10-60 enamel (F-14.9813, which replaces SRF-14.9813) all over.
Gusset (100,105, 250,255), Angle Support (120,270), Side Brace (140, 290), Support Bracket (200A, 205,350A,355)	Al alloy	Chromic acid anodize and apply BMS 10-11, Type 1 primer (F-18.13) and BMS 10-60 enamel (F-14.9813, which replaces SRF-14.9813) all over.
Cover (380, 435)	Fiberglass	Prepare the surface (SRF-14.672). Apply BMS 10-11, Type 1 primer (F-20.02) and BMS 10-60 enamel (F-14.9813, which replaces SRF-14.9813) all over.
Retainer (470,615)	Al alloy	Chromic acid anodize and apply BMS 10-11, Type 1 primer (F-18.05) and BMS 10-60 enamel (F-14.9813, which replaces SRF-14.9813) all over.
Rod (610)	Al alloy	Chromic acid anodize and apply BMS 10-11, Type 1 primer (F-18.05) on all external surfaces. Chemical treat (F-17.01) internal surfaces and apply MIL-C-16173, grade 1, corrosion preventive compound (F-14.13) to ID bore surfaces.
Rod (610A)	Al alloy	Chemical treat and apply BMS 10-11, Type 1 primer (F-18.07) on interior and exterior surfaces. Apply MIL-C-11796, Class 1 corrosion preventive compound (F-19.03) to interior surfaces.

Refinish Details
 Figure 601 (Sheet 3)

32-21-21

REPAIR 8-1

01.1

Page 603

Nov 01/05

IPL FIG. & ITEM	MATERIAL	FINISH
Clip Support (670, 885, 890), Angle Support (755, 780, 875, 900, 905), Bracket (675, 775, 785), Channel (895)	Al alloy	Chemical treat and apply BMS 10-11, Type 1 primer (F-18.06) all over.
Retainer (745) <u>Fig. 4</u>	Al alloy	Chromic acid anodize and BMS 10-11, Type 1 primer (F-18.13) all over.
Angle (180, 345, 515, 835), Bracket 350A, 645), Filler (540), Channel (545, 570)	Al alloy	Chromic acid anodize and apply BMS 10-11, Type 1 primer (F-18.13) and BMS 10-60 enamel (F-14.9813, which replaces SRF-14.9813) all over.
Bracket (185, 275, 455, 580, 680, 840, 956, 964) Plate (215, 320, 415, 415A, 870), Angle (225, 880, 900, 905), Channel (485, 610) Filler (958)	Al alloy	Chemical treat and apply BMS 10-11, Type 1 primer (F-18.06) and BMS 10-60 gray gloss enamel (F-14.9813, which replaces SRF-14.9813) all over.
Bracket (260, 385, 630)	Al alloy	Chemical treat and apply BMS 10-11, Type 1 primer (F-18.06) all over.
Bracket Assy (230, 370A, 490, 490A, 615A), Angle Assy (190, 845), Channel Assy (460, 460A, 487)	Al alloy	Apply BMS 10-11, Type 1 primer (F-14.995, which replaces SRF-14.995) and BMS 10-60 enamel (F-14.9813, which replaces SRF-14.9813) to bare area but not threads.
Latch (368, 940), Plate (367, 935)	17-7PH (180-200 ksi)	Passivate all over (F-17.25, which replaces F-17.09). Apply BMS 10-11, Type 1 primer (F-20.03) to bottom mounting surface of latch (368, 940).

Refinish Details
 Figure 601 (Sheet 4)

32-21-21

REPAIR 8-1

01.1

Page 604

Nov 01/05


BOEING
 COMPONENT
 MAINTENANCE MANUAL

IPL FIG. & ITEM	MATERIAL	FINISH
Latch (287)	Al alloy	Chromic acid anodize and apply BMS 10-11, Type 1 primer (F-18.13).
Brackets (645,680,682)	Al alloy	Chromic acid anodize and apply BMS 10-11, Type 2 primer (F-18.13) and BMS 10-60 enamel (F-14.9813, which replaces SRF-14.9813).
<u>Fig. 5</u>		
Support Zee (175,180)	Al alloy	Chromic acid anodize and apply BMS 10-11, Type 1 primer (F-18.13) and BMS 10-60 enamel (F-14.9813, which replaces SRF-14.9813) all over.
Support Bracket (185)	Al alloy	Chemical treat and apply BMS 10-11, Type 1 primer (F-18.06) and BMS 10-60 enamel (F-14.9813, which replaces SRF-14.9813) all over.
Support (370,425)	Al alloy	Anodize (F-17.05) and apply BMS 10-11, Type 1 primer (F-20.02) and BMS 10-60 enamel (F-14.9813, which replaces SRF-14.9813) all over.

Refinish Details
 Figure 601 (Sheet 5)

32-21-21

REPAIR 8-1

01.1

Page 605

Nov 01/05

IPL FIG. & ITEM	MATERIAL	FINISH
<u>Fig. 6</u>		
Support Angle (30, 35, 75, 80), Support (55)	Al alloy	Chemical treat and apply BMS 10-11, Type 1 primer (F-18.06) and BMS 10-60 enamel (F-14.9813, which replaces SRF-14.9813) all over.
Bracket (180), Angle (305)	Al alloy	Chemical treat and apply BMS 10-11, Type 1 primer (F-18.06) all over.
Bracket Assy (160)	Al alloy	Apply BMS 10-60 enamel (F-14.9813, which replaces SRF-14.9813) but not on threads.
Housing Assy (140)	Al alloy	Apply BMS 10-60 enamel (F-14.9813, which replaces SRF-14.9813) but not on Heat Sink Assy (240).
Grounding Plate (235)	304 CRES	Passivate (F-17.25, which replaces F-17.09).
Channel (270)	Al alloy	Anodize and dye black (F-2.24) all over.
Cover (320), Housing (325)	Fiberglass	Prepare the surface (F-14.672). Apply BMS 10-11, Type 1 primer (F-20.02) all over.
<u>Fig. 7</u>		
Hubcap Assy (85)	Al alloy	Anodize (F-17.05). Apply BMS 10-11, Type 1, primer (F-20.02) and BMS 10-60 (F-14.9813, which replaces SRF-14.9813) to outer surfaces only.

Refinish Details
 Figure 601 (Sheet 6)

32-21-21

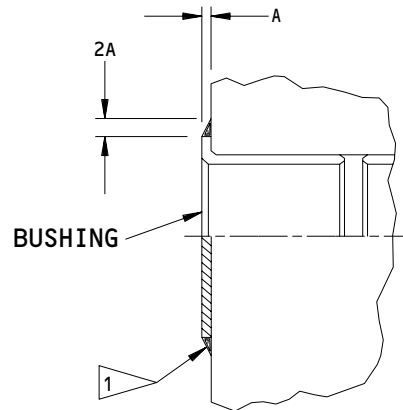
REPAIR 8-1

01.1 Page 606

Nov 01/05

BUSHING SEALING – REPAIR 9-1

1. All paint applications must be completed, and the final gray topcoat, before you apply this sealant.
2. Solvent clean the area to be sealed and the adjacent area (SOPM 20-30-03).
3. Apply a fillet of BMS 5-95 sealant as shown in Fig. 601 or per SOPM 20-50-19.
4. Apply BMS 10-60 gray gloss enamel (F-14.9813, which replaces SRF-14.9813) over the sealant and the areas around the sealant. Be careful not to paint bushing faces.



1 A CONTINUOUS FILLET SEAL MUST EXTEND TO THE TOP OF THE BUSHING FLANGE EDGE AND BE IN THE PROPORTIONS SHOWN. OPTIONAL: SEAL AS SHOWN IN SOPM 20-50-19, FIGURE 8. DO NOT APPLY SEALANT TO THE BUSHING FACE

Bushing Sealing Details
 Figure 601

60610

32-21-21

REPAIR 9-1

01.1

Page 601

Nov 01/04



SPIDER - REPAIR 10-1

166T0201-2

| 1. Repair (Fig. 601)

- | A. Repair is only replacement of the original finish. Refer to Refinish instructions for details.

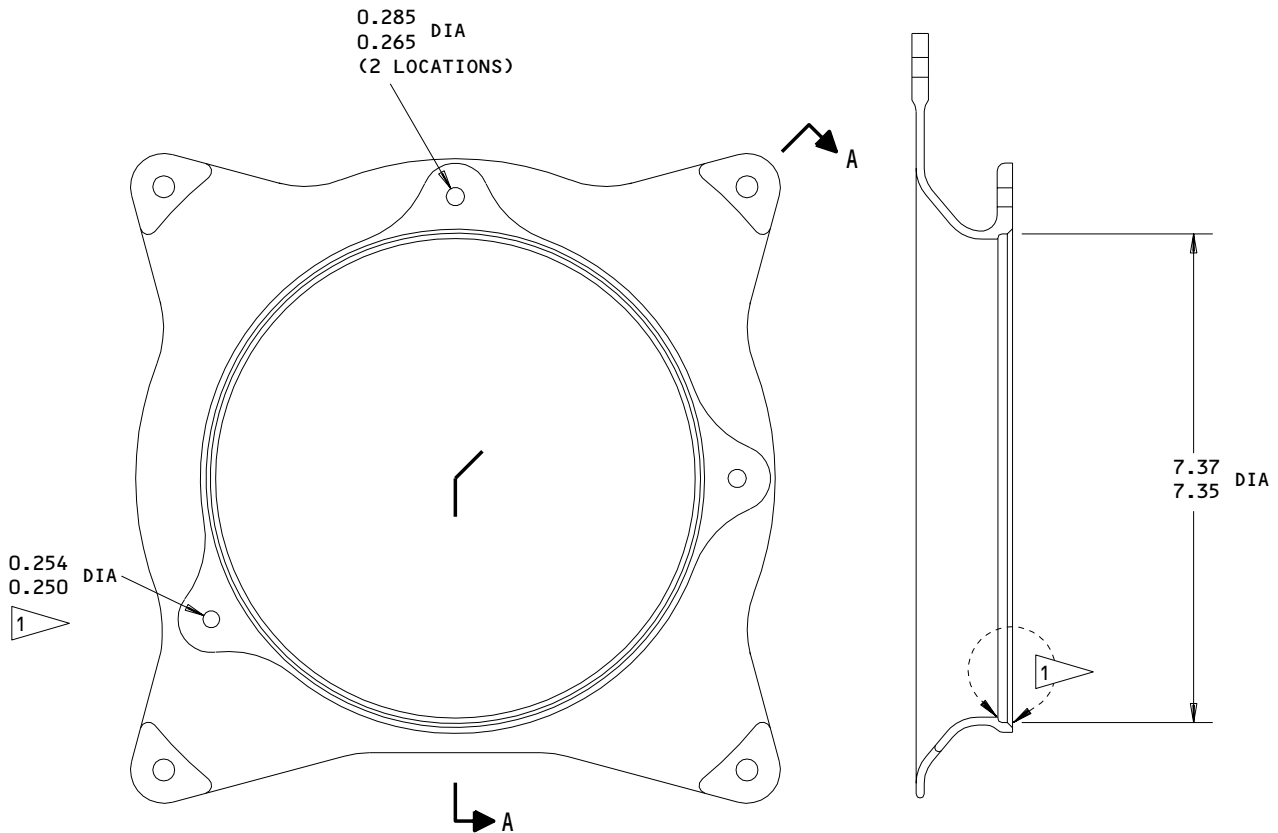
32-21-21

REPAIR 10-1


01.1


Page 601

Sep 01/95




REFINISH

CHROMIC ACID OR SULFURIC ACID ANODIZE (F-17.05).
 APPLY BMS 10-11 TYPE 1 PRIMER (F-20.02) AND
 BMS 10-60 GRAY GLOSS ENAMEL (SRF-14.9813)
 UNLESS SHOWN BY 

 NO ENAMEL ON THESE SURFACES

REPAIR

(SAME AS REFINISH)

125  ALL MACHINED SURFACES

MATERIAL: AL ALLOY

ALL DIMENSIONS ARE IN INCHES

166T0201-2
 Spider Repair and Refinish
 Figure 601

32-21-21

REPAIR 10-1

Page 602

Sep 01/95

01.1



PIN, TOW - REPAIR 11-1

162T1303-1

NOTE: Refer to REPAIR-GEN for a list of applicable standard practices. For repair of surfaces which is only replacement of the original finish, refer to Refinish instructions in Fig. 601.

1. OD - Diameter A (Fig. 601)

- A. Machine as required, within repair limits, to remove defects.
- B. Shot peen as indicated.
- C. Build up machined surfaces with chrome plate. Grind to design dimensions and finish. Chrome plate thickness must not be more than 0.015 inch after the grind.

2. ID (Fig. 601)

- A. Machine as required, within repair limits, to remove defects.
- B. Shot peen. Passivate.

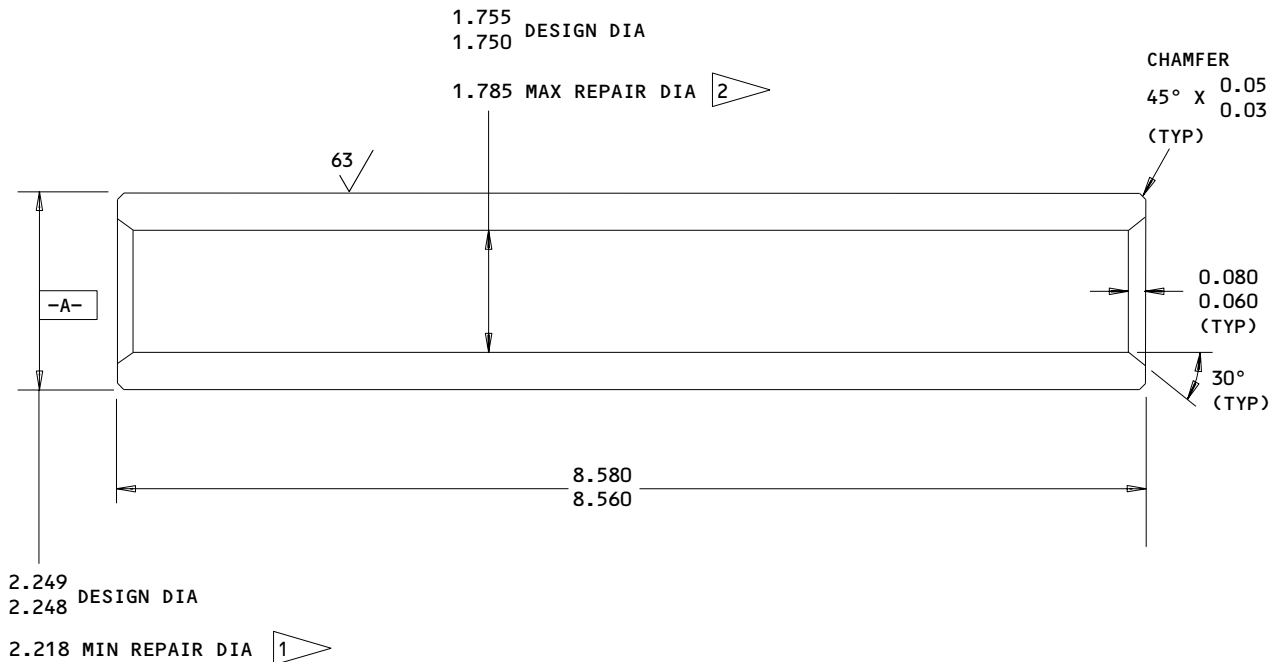
32-21-21

REPAIR 11-1

01.1

Page 601

Nov 01/98



REFINISH

PASSIVATE (F-17.09)

- 1 LIMIT FOR CHROME PLATE BUILDUP AND GRIND TO DESIGN DIMENSION AND FINISH
- 2 RESTORATION TO DESIGN DIM NOT REQUIRED

REPAIR

REF 1 2

125 MACHINE FINISH EXCEPT AS NOTED

SHOT PEEN:
 0.016-0.033 SHOT SIZE
 0.014-0.016 A2 INTENSITY

BREAK SHARP EDGES 0.02-0.03 R

MATERIAL: 15-5PH CRES, 180-200 KSI

ALL DIMENSIONS ARE IN INCHES

162T1303-1
 Pin Repair and Refinish
 Figure 601

32-21-21

REPAIR 11-1

Page 602

Jan 01/93

01.1

AXLE NUT – REPAIR 12-1

162T1602-1

NOTE: Refer to REPAIR-GENERAL for a list of applicable standard practices.

1. Coating Repair (Fig. 601)

A. Repair is only replacment of the original finish. Refer to Refinish for details.

2. Oversize Threads (Fig. 601)

A. If you cut the inner cylinder axle threads oversize (CMM 32-21-43 or 32-21-47, REPAIR 2-3), make an oversize nut as shown. If you cut the inner cylinder axle threads undersize (CMM 32-21-47, REPAIR 2-3), make an undersize nut (REPAIR 14-1).

B. Be sure to keep the nut and the inner cylinder together as a matched set. We recommend you vibro-engage MATCHED SET-DO NOT SEPARATE on the nut and the inner cylinder, and paint these parts with yellow enamel.

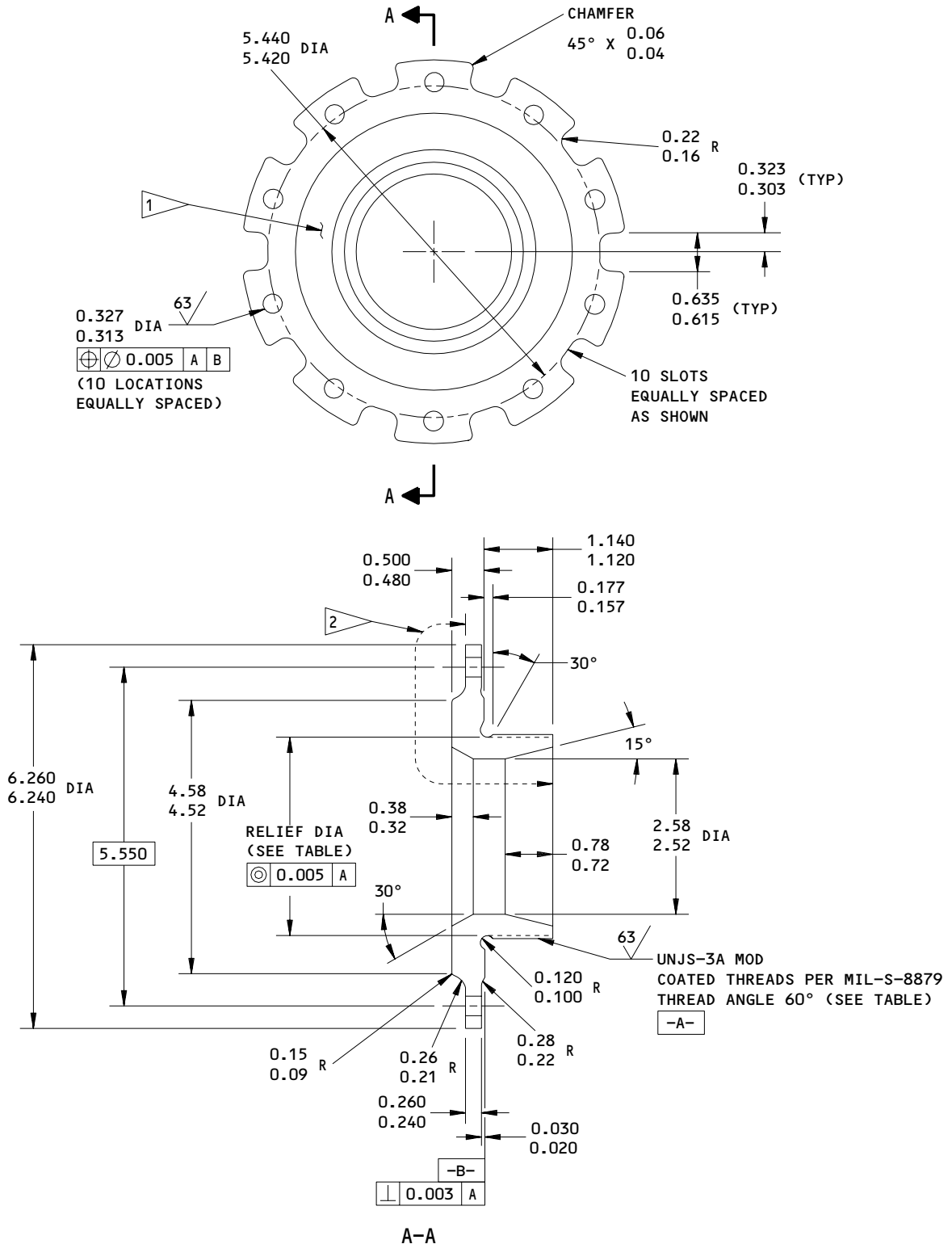
32-21-21

REPAIR 12-1

01.1

Page 601

Mar 01/04



162T1602-1
 Axle Nut Details
 Figure 601 (Sheet 1)

32-21-21

REPAIR 12-1

01.1


Page 602

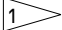
Mar 01/04



BOEING
 COMPONENT
 MAINTENANCE MANUAL

UNJS-3A MOD THREAD SIZE	3.375-12 (DESIGN) (REF)	3.500-12 (1/8 OVERSIZE)
MAJOR DIA	3.3479 3.3379	3.4729 3.4629
PITCH DIA	3.3209 3.3161	3.4459 3.4411
MINOR DIA	3.2788 3.2690	3.4038 3.3940
ROOT RADIUS	0.0150 0.0125	0.0150 0.0125
LENGTH ENGAGEMENT	0.93 0.87	0.93 0.87
RELIEF DIA	3.255 3.245	3.380 3.370

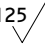
REFINISH

CADMIUM PLATE (F-15.02). APPLY BMS 10-11, TYPE 1 PRIMER (F-20.02) BUT NOT ON THREADS OR IN 0.313-0.327 DIA HOLE. WIPE THREADS AND HOLES WITH PRIMER (F-19.45). APPLY ENAMEL AS SHOWN BY .

 ON NUTS WITH OVERSIZE THREADS, VIBRO-ENGRAVE "MATCHED SET - DO NOT SEPARATE" IN THIS LOCATION

 APPLY BMS 10-60 ENAMEL (F-14.9813, WHICH REPLACES SRF-14.9813) IN THIS AREA. USE YELLOW ENAMEL ON NUTS WITH OVERSIZE THREADS

REPAIR

125  ALL MACHINED SURFACES UNLESS SHOWN DIFFERENTLY

BREAK SHARP EDGES 0.02-0.03 R UNLESS SHOWN DIFFERENTLY

MAGNETIC PARTICLE EXAMINE, CLASS B (SOPM 20-20-01)

MATERIAL: 4330M STEEL, 180-200 KSI

ALL DIMENSIONS ARE IN INCHES

162T1602-1
 Axle Nut Details
 Figure 601 (Sheet 2)

32-21-21

REPAIR 12-1

Page 603

Mar 01/04

01.1

TAXI LIGHT HOUSING ASSEMBLY – REPAIR 13-1

69-21227-3

1. Bushing A7124-1 (Fig. 601)

A. Method 1 – Installation of Replacement A7124-1 Bushing

- (1) Remove the old bushing.
- (2) Install a replacement bushing in the hole. Flare the shoulder and ball stake it in four locations.
- (3) If after this repair the bushing is loose, remove it and install an AN3064-6 electrical box connector in the hole by the Method 2 procedure.

B. Method 2 – Installation of AN3064-6 Electrical Box Connector

- (1) Remove the old A7124-1 bushing.
- (2) Machine the hole in the housing oversize to 0.750-0.760 inch diameter.
- (3) Chemical treat the bare aluminum surfaces. Apply BMS 10-11 Type 1 primer.
- (4) Get an AN3064-6 electrical box connector, a BACW10P148AL washer, a BACW10P173AL washer, and an AN3066-6 nut.
- (5) Install the BACW10P173AL washer on the connector.
- (6) Put the connector through the hole in the housing from the inside, with the threaded part of the connector on the outside of the housing.
- (7) Install the BACW10P148AL washer and the AN3066-6 nut on the threaded part of the connector. Tighten the nut.
- (8) Chemical treat the exposed surfaces of the washers, the nut, and the connector, and apply BMS 10-11 Type 1 primer (F-20.02) and BMS 10-11 Type 2 enamel (SRF-12.63).

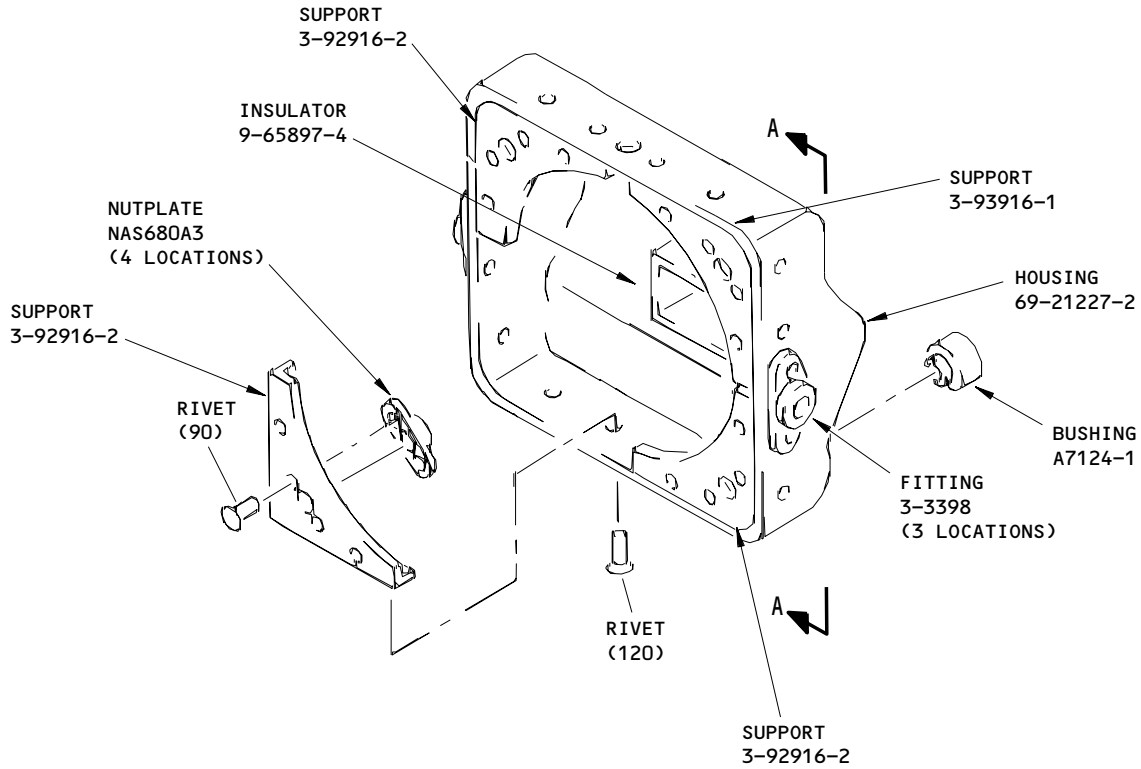
32-21-21

REPAIR 13-1

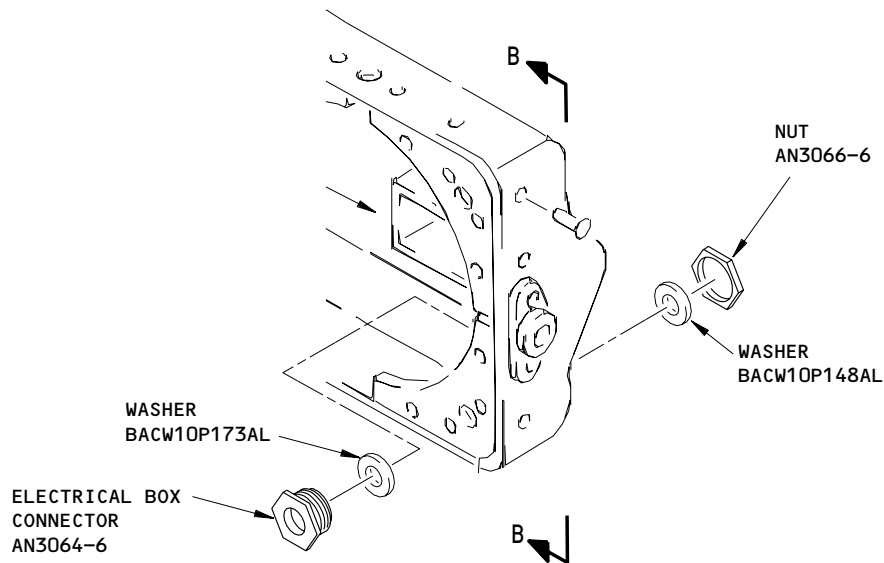
01.1

Page 601

Jul 01/03



ORIGINAL CONFIGURATION



REPAIRED CONFIGURATION

69-21227-3
 Nose Gear Taxi Light Housing Assembly Parts Replacement
 Figure 601 (Sheet 1)

32-21-21

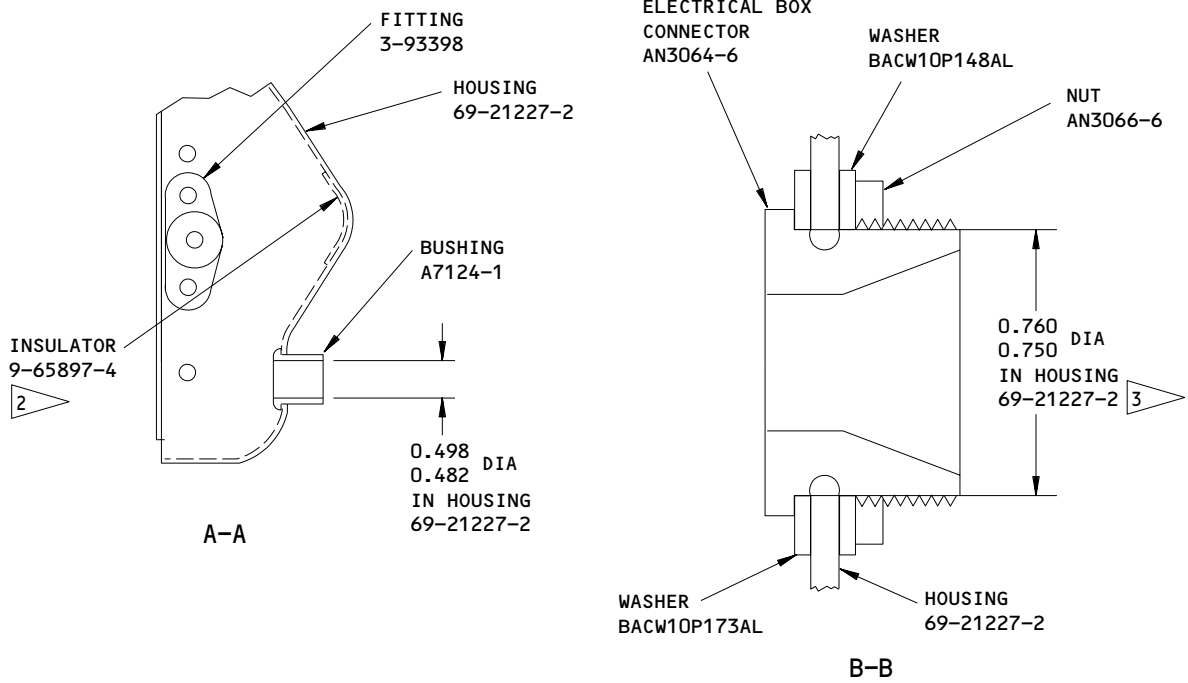
REPAIR 13-1

01.1

Page 602

Jul 01/03

BOEING
COMPONENT
MAINTENANCE MANUAL



REFINISH

HOUSING 69-21227-2: CHEMICAL TREAT OR CHROMIC ACID ANODIZE AND APPLY BMS 10-11 TYPE 1 PRIMER (SRF-2.30)

HOUSING ASSEMBLY 69-21227-3: APPLY BMS 10-11 TYPE 2 ENAMEL (SRF-12.63)

- 1 FLARE BUSHING SHOULDER 90° AND BALL STAKE 4 LOCATIONS EQUALLY SPACED
- 2 BOND IN POSITION WITH TYPE 5 ADHESIVE (SOPM 20-50-12)
- 3 RANGE FOR INSTALLATION OF ELECTRICAL BOX CONNECTOR AN3064-6

125/ ALL MACHINED SURFACES UNLESS SHOWN DIFFERENTLY

BREAK ALL SHARP EDGES

MATERIAL: (HOUSING): AL ALLOY

ALL DIMENSIONS ARE IN INCHES

69-21227-3
 Nose Gear Taxi Light Housing Assembly Parts Replacement
 Figure 601 (Sheet 2)

32-21-21

REPAIR 13-1

01.1

Page 603

Jul 01/03

AXLE NUT – REPAIR 14-1

162T1622-1

NOTE: Refer to REPAIR-GENERAL for a list of applicable standard practices.

1. Coating Repair (Fig. 601)

A. Repair is only replacement of the original finish. Refer to Refinish for details.

2. Oversize Threads (Fig. 601)

A. If you cut the inner cylinder axle threads undersize (CMM 32-21-43 or 32-21-47, REPAIR 2-3), make an undersize nut as shown.

B. Be sure to keep the nut and the inner cylinder together as a matched set. We recommend you vibro-engage **MATCHED SET-DO NOT SEPARATE** on the nut and the inner cylinder, and paint these parts with yellow enamel.

32-21-21

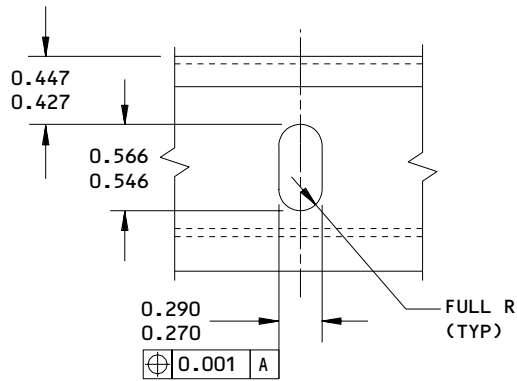
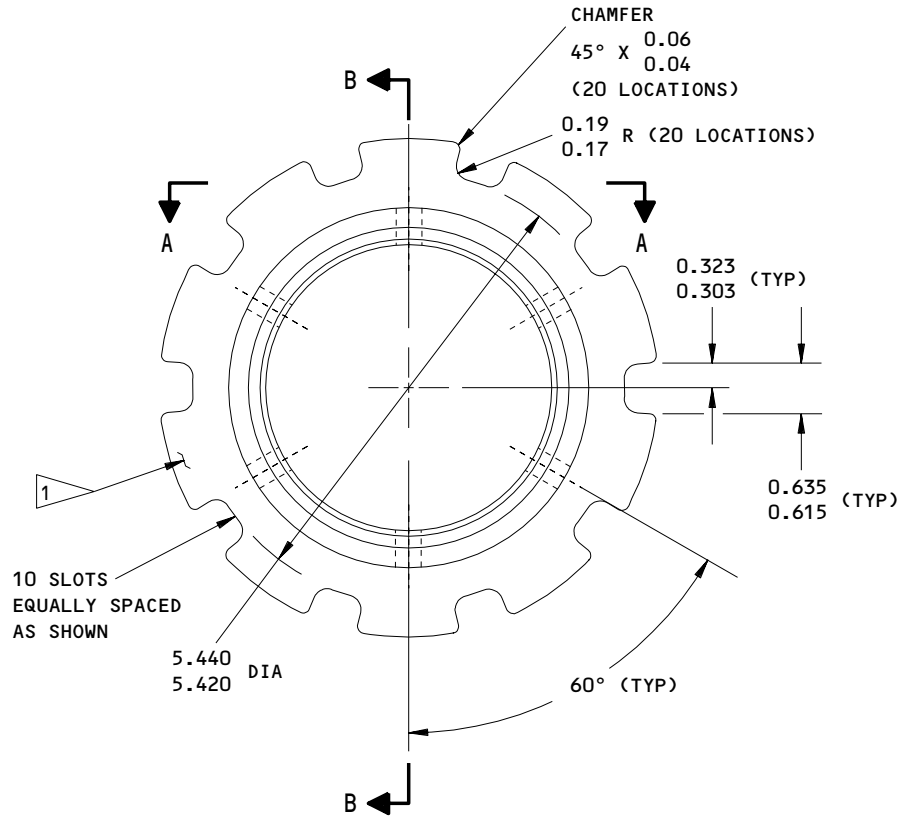
REPAIR 14-1

01.1

Page 601

Mar 01/04

**COMPONENT
MAINTENANCE MANUAL**



A-A
(TYPICAL 6 LOCATIONS)

162T1622-1
Axle Nut Details
Figure 601 (Sheet 1)

32-21-21

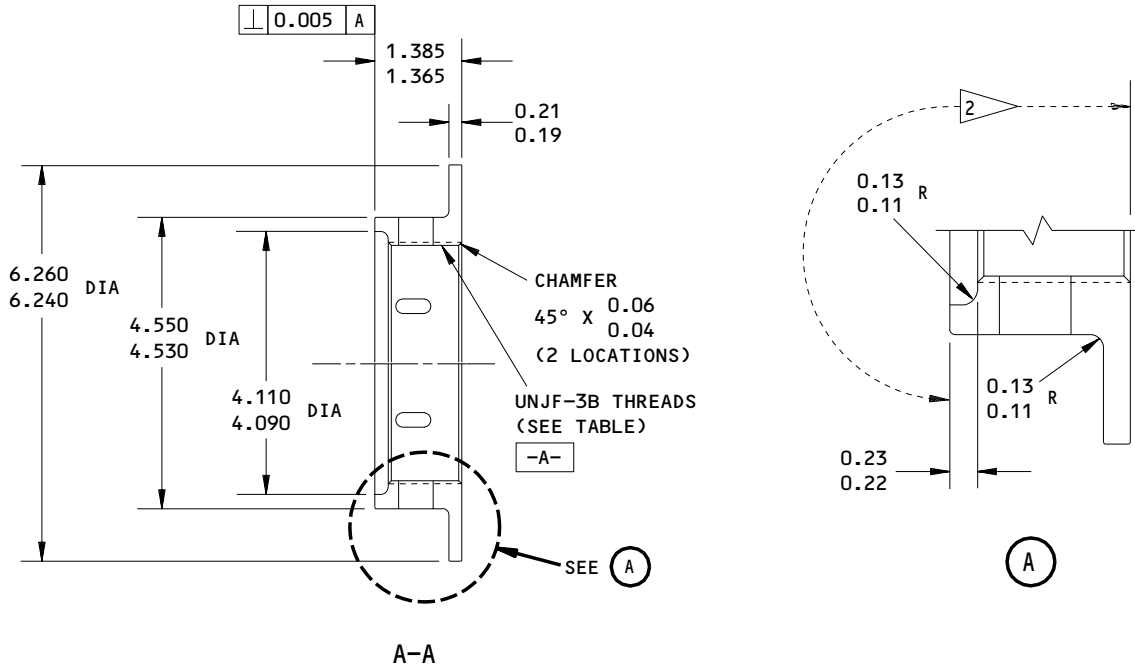
REPAIR 14-1

Page 602

Mar 01/04

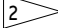
01.1


BOEING
 COMPONENT
 MAINTENANCE MANUAL

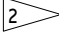


UNJF-3B THREAD SIZE	3.750-12 (DESIGN) (REF)	3.625-12 (1/8 UNDERSIZE)
MAJOR DIA	3.7500	3.6250
PITCH DIA	3.7022 3.6959	3.5772 3.5709
MINOR DIA	3.6789 3.6689	3.5539 3.5439
ROOT RADIUS	0.0150 0.0125	0.0150 0.0125

REFINISH

CADMIUM PLATE (F-15.02). WIPE AREAS SHOWN BY  WITH PRIMER (F-19.45). APPLY BMS 10-11, TYPE 1 PRIMER (F-20.02) AND BMS 10-60 ENAMEL (F-14.9813, WHICH REPLACES SRF-14.9813) TO OTHER AREAS, USE YELLOW ENAMEL ON NUTS WITH OVERSIZE THREADS

 ON NUTS WITH OVERSIZE THREADS, VIBRO-ENGRAVE "MATCHED SET - DO NOT SEPARATE" IN THIS LOCATION

 WIPE THESE AREAS WITH PRIMER (F-19.45)

REPAIR

125/ ALL MACHINED SURFACES UNLESS SHOWN DIFFERENTLY

BREAK SHARP EDGES 0.02-0.03 R UNLESS SHOWN DIFFERENTLY

MAGNETIC PARTICLE EXAMINE, CLASS B (SOPM 20-20-01)

MATERIAL: 4330M STEEL, 180-200 KSI

ALL DIMENSIONS ARE IN INCHES

162T1622-1
 Axle Nut Details
 Figure 601 (Sheet 2)

32-21-21

REPAIR 14-1

01.1

Page 603

Mar 01/04

ASSEMBLY1. Materials

NOTE: Equivalent substitutes can be used.

| A. Adhesives (SOPM 20-50-12)

| (1) Type 44

| (2) Type 60

B. Assembly Lube -- MCS352 (SOPM 20-60-03)

C. Corrosion Preventive Compound -- MIL-C-11796, Class 3 (SOPM 20-60-02)

D. Corrosion Preventive Compound -- MIL-C-16173, Grade 2 (SOPM 20-60-02)

E. Enamel -- BMS 10-60, color black (SOPM 20-60-02)

F. Enamel -- BMS 10-60, color red (SOPM 20-60-02)

G. Grease -- Aeroshell No. 5 (SOPM 20-60-03)

H. Grease -- BMS 3-24 (SOPM 20-60-03)

I. Grease -- BMS 3-33 (SOPM 20-60-03)

J. Grease -- MIL-G-23827 (SOPM 20-60-03)

K. Hydraulic Fluid -- BMS 3-11 (SOPM 20-60-03)

L. Lockwire -- MS20995C32 (SOPM 20-60-04)

M. Lubricant, Silicone Compound -- DC 200 (SOPM 20-60-03)

N. Potting Compound -- See par. H., Table 1

O. Primer - See par. H., Table 1

P. Protective Finish -- Type 41 (SOPM 20-60-02)

| Q. Sealant -- BMS 5-45 (Replaces BMS 5-26) (SOPM 20-60-04)

R. Sealant -- BMS 5-95 (SOPM 20-60-04)

S. Tamperproof Putty -- BMS 8-45 (SOPM 20-60-04)

T. Solvent -- Aliphatic Naphtha TT-N-95, Type 1 or 2 (Replaces BMS 3-2, Type 1 and 2) (SOPM 20-60-01)

32-21-21

ASSEMBLY

01.1

Page 701

Nov 01/04

U. Tape, Mylar -- Scotch 5421, Y-8412 or 8412 (Replaces Mystik 7355)
(SOPM 20-60-04)

V. Tape, Silicone -- Scotch 70 (SOPM 20-60-04)

2. Equipment

NOTE: Equivalent substitutes can be used.

A. A32057-1 or -40 -- Nose Landing Gear Buildup Stand

B. A32025-1 -- Nose Landing Gear Wheel Retaining Axle Nut Wrench Adapter

C. A32022-1 -- Nose Landing Gear Axle Protector

D. F72959-6 -- Spanner Wrench

E. A32035-1 -- Nose Landing Gear Steering Actuator Wrench

F. A32034-1 -- Steering Nut Wrench Adapter

3. Assembly (IPL Figures 1 thru 7, as applicable)

A. Installation of valve (150A) and actuators (215, IPL Fig. 2) (Fig. 701).

(1) Apply a thin layer of hydraulic fluid or assembly lube to packings (130, 140, 180, 190) and retainers (135, 145).

CAUTION: VALVE (150A) IS A PRECISION PART. PROTECT PACKING GROOVE AREAS AT ALL TIMES WHEN NOT IN WORK.

(2) Install packings (130, 140, 180, 190), retainers (135, 145), union (175) and reducer (185) on valve (195A).

(3) Remove the bolt, washer and lockplate on steering nut (CMM 32-21-43 or 32-21-47).

CAUTION: DO NOT LET THE STEERING COLLAR MOVE DOWN WHEN YOU LOWER THE SUPPORT PLATE.

(4) Remove steering nut with adapter A32034-1 and lower the support plate only to let you install the steering actuators.

32-21-21

ASSEMBLY

01.1

Page 702

Nov 01/04


BOEING
 COMPONENT
 MAINTENANCE MANUAL

CAUTION: BEARING (210) CONTAINS DELICATE SIDE SHIELDS AND SEALS WHICH COULD BE DAMAGED IF YOU ARE NOT CAREFUL.

DO NOT LET THE BEARING TO MISALIGN BETWEEN INNER AND OUTER RACES MORE THEN ONE DEGREE.

DO NOT LET RETAINING NUT (205) TOUCH THE BEARING SEALS OR SHIELDS AT ANY TIME. DO NOT HIT OR TAP ON THE BEARING. USE ONLY HAND PRESSURE TO INSTALL THE BEARING. FINAL SEATING SHALL BE DONE BY ROTATING RETAINING NUT (205) ONLY.

- (5) Install bearings (210) with MIL-C-11796 corrosion preventive compound on bearing ID and OD, housing ID (shock strut lower support plate and support torque tube assembly), and trunnion journal OD. Be careful to apply hand pressure only.

CAUTION: INSTALL ACTUATORS (215) WITH EQUAL TRUNNION THREAD VISIBLE ABOVE NUTS (205). MAKE SURE THE CLEARANCE BETWEEN THE FACE OF THE ROD END SPHERICAL BEARING AND THE FACE OF THE STEERING COLLAR CLEVIS BUSHING AT TOP AND BOTTOM IS EQUAL WITHIN 0.003 INCH OR DAMAGE TO THE ACTUATORS COULD OCCUR.

- (6) Apply BMS 5-45 sealant to exposed male threads of actuator (215) and, while the sealant is wet, slowly install nuts (205) with wrench A32035-1 until the nut touches inner race of bearing (210).

CAUTION: DO NOT OVERLOAD BEARINGS (210) WHILE YOU TIGHTEN NUTS (205). DO NOT TURN THE NUT MORE THAN 8 DEGREES OR DAMAGE WILL OCCUR TO BEARINGS.

- (7) Completely fill cavity between nuts (205) and thread relief with BMS 5-45 sealant. Fillet seal the nut with this sealant.

- (8) Install steering nut and tighten to 75-100 pound-feet with adapter A32034-1.

- (9) Back off the steering nut as necessary to let you install the lockplate with the bolt and washer. Install lockwire by the double-twist method and apply BMS 8-45 tamper-proof putty.

- (10) Lightly lubricate valve (195A) retainer nuts with hydraulic fluid or assembly lube.

32-21-21

ASSEMBLY

01.1

Page 703

Nov 01/05

CAUTION: MAKE SURE THE INDEX PINS ON THE SWIVEL VALVES ARE CORRECTLY ALIGNED WITH THE MATING HOLES IN THE TRUNNION SOCKETS. IF THEY ARE NOT ALIGNED CORRECTLY, IT IS POSSIBLE THE STEERING SYSTEM WILL NOT OPERATE CORRECTLY.

(11) Put the swivel valves for the metering valve assembly into the steering actuator trunnions. Make sure the valve index pins are installed in the locator pin holes in the left and right trunnions, as shown.

(12) Apply hydraulic fluid to the threads on the retainer nuts for the left and right metering valves (195A).

CAUTION: KEEP THE TWO ENDS OF THE METERING VALVE ASSEMBLY LEVEL DURING INSTALLATION. IF YOU DO NOT TIGHTEN THE RETAINER NUTS EQUALLY, THIS CAN CAUSE DAMAGE TO THE VALVE ASSEMBLY TUBE.

(13) With spanner wrench F72959-6, tighten the retainer nuts for the metering valve equally at each end. Tighten the retainer nuts to 700-750 pound-inches.

(14) Make sure that the clearance between the top swivel valve washer(s) on the left and right sides and the valve body is as shown.

(15) Apply BMS 5-45 sealant between the trunnion and the retainer nut.

(16) Install bolts (155, 160), washers (165) and nuts (170).

(17) Install bracket (90), swivel joint assembly (85) and nuts (80).

(18) Install tube assemblies (15, 20), bracket installation components (100, 105, 110), bracket (115) and block assembly components (45 thru 70).

32-21-21

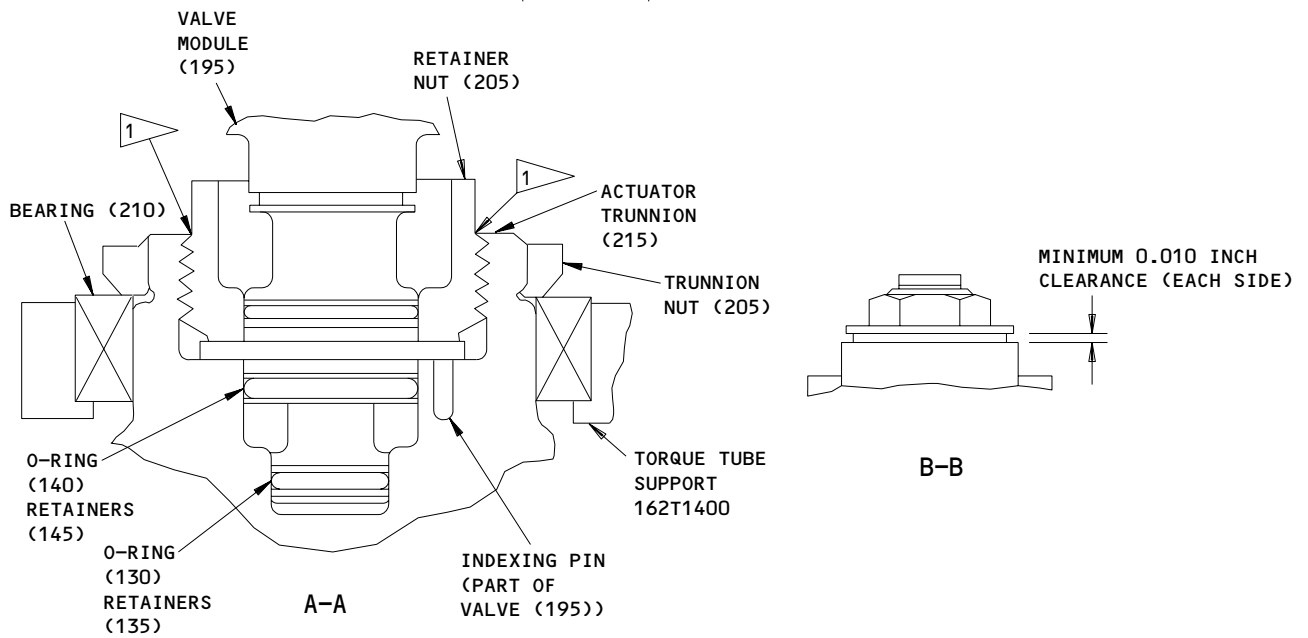
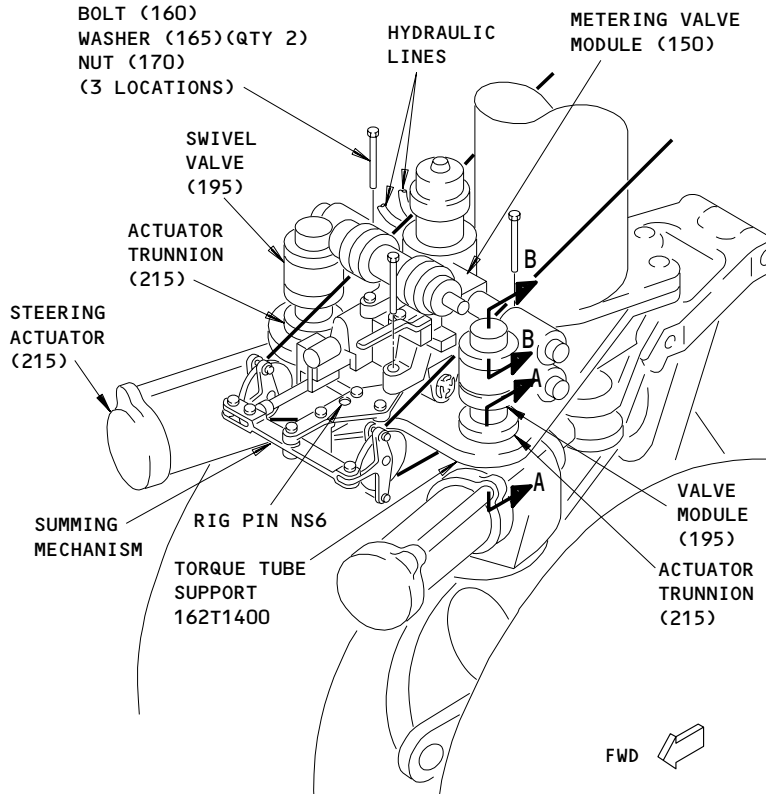
ASSEMBLY

01.1

Page 704

Nov 01/04

BOEING
**COMPONENT
 MAINTENANCE MANUAL**



1 APPLY SEALANT AT THE JOINT, ALL AROUND

ITEM NUMBERS REFER TO IPL FIG. 2

**Nose Landing Gear Steering Metering Valve Module Installation
 Figure 700**

32-21-21

ASSEMBLY
 Page 705
 Mar 01/00

01.1

- B. Install tow fittings (155, 160), bracket assemblies (250A, 251, 440), swivel pin assembly (260) grounding terminal (315), washers (305, 310) shaft assembly (360) and bumper stop assembly (505) (IPL Fig. 1).
- (1) Install grounding terminal (315) with washers (320, 330) and nut (325).
 - (2) Install washers (305, 310) and tighten associated nut and bolt per 20-50-01.
 - (3) Install swivel pin assembly (260) into bracket assembly (250A, 251) and secure with washers (270, 275), nut (280A) and cotter pin (265).
 - (4) Mount bracket assemblies (250A, 251) on shock strut with bolts (195, 200), washers (210), nuts (220A) and cotter pins (215).

NOTE: Bolts (200) are to be installed after pulley bracket assemblies (60A, 210A, Fig. 3) are fully assembled.
 - (5) Mount tow fittings (155, 160) on shock strut and install bolts (45, 50) with wet BMS 5-95 sealant, washers (55, 60, 65, 70), nuts (85, 90) and cotter pins (75, 80). Tighten nuts to standard torque (SOPM 20-50-01).
 - (6) Install pins (185, 190), caps (95, 100), bolts (5, 10), washers (15, 20), nuts (35A, 40A) and cotter pins (25, 30).

NOTE: Items installed in steps (7) thru (11) apply to limited nose gear assemblies. Install these parts only as required.
 - (7) Remove upper torsion link retaining bolt, washers and nut from steering collar and install shaft assembly (360) or support assembly (362) per Fig. 701. Re-install bolt, washers and nut. Tighten nut, install cotter pin and apply tamperproof putty.
 - (8) Bond pad (384) to lower torsion link per Fig. 701.
 - (9) Clean with solvent those areas on upper torsion link which will contact mounting blocks (425, 430, 435) and bumper stop assembly (505). Install one layer of tape on contact areas.
 - (10) Install bumper stop assembly (505) with spacer (530), bolts (510, 515) and washers (520, 525).
 - (11) Install plate (550) with bolts (535), washers (540) and nuts (545).

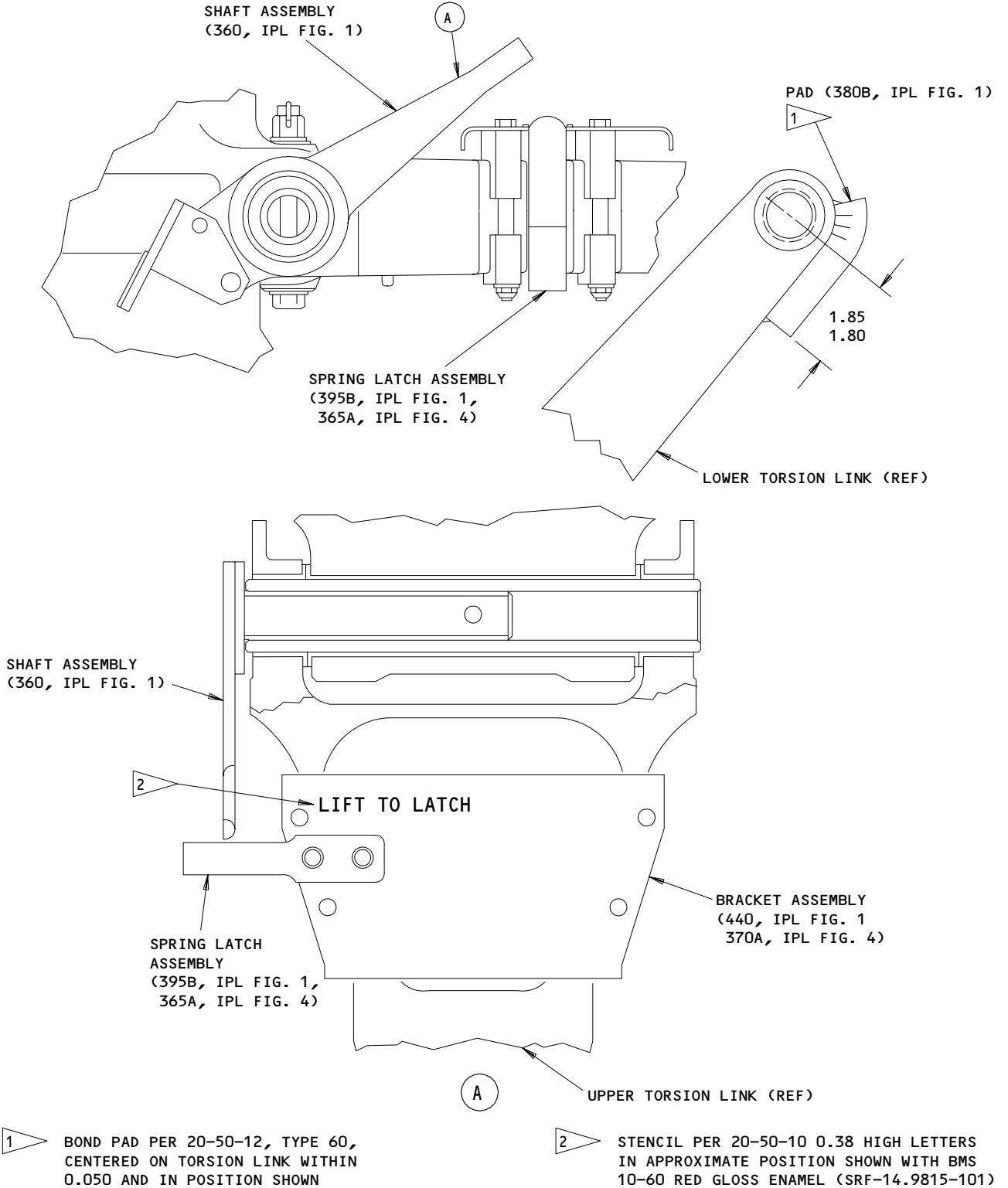
32-21-21

ASSEMBLY

01.1

Page 706

Mar 01/04



Shaft Assembly and Stenciling Details
 Figure 701

32-21-21

ASSEMBLY
 Page 707
 Mar 01/00

01.101

- (12) Attach bracket assembly (440) to upper torsion link with bolts (400), blocks (425, 430, 435), spacers (410, 415), washers (405) and nuts (420).
- (13) Install spring latch assembly (395B, 422) on bracket assembly (440) with bolts (385, 386, 388, 400) and washers (389, 390).
- C. Assemble and install lockout assembly (390), pulley bracket (60A, 210A, 475), supports (730, 850), cable assembly (35), plate assembly (800), rod assembly (545), lever assembly (820) and associated supports and angles (IPL Fig. 3).
- (1) Install lockout assembly (390) on shock strut with bolts (395, 400) washers (405) and nuts (410).
- (2) Install cover (380) with screws (370) and grommets (375).
- (3) Install bearing (175, 325, 510) into sheave assemblies (185, 335, 520) and roller swage bearing into place.
- (4) Assemble support brackets (200A, 205, 350A, 355), pulley assemblies (170, 320), pulley guard (165, 315) and side brace (140, 290) with bolts (110, 125, 145, 260, 275, 295), spacers (150, 300), washers (155, 130, 280, 305), nuts (135, 160, 285, 310) and collar (115, 265).
- (5) Install pulley bracket assemblies (60A, 210A) to shock strut with bolts (205, Fig. 1), washers (210, Fig. 1), nuts (220A, Fig. 1) and cotter pins (215, Fig. 1).
- (6) Install bolts (65, 215), washers (70, 220) and nuts (75, 225).
- (7) Install rod end bearings (585, 605) into rod (610) with locking devices (575, 580, 595, 600) and nuts (570, 590).
- (8) Install bushing (540, 620) with BMS 3-33 or BMS 3-24 grease and attach rod assembly (545) to lever assembly (820) with bolt (555), washer (560), retainer (615) and nut (565) coating all mating surfaces with this grease.

32-21-21

ASSEMBLY

01.1

Page 708

Jul 01/03

**BOEING**
COMPONENT
MAINTENANCE MANUAL

- (9) Install spacer (715) in lever assy (820), against bearing (825), with BMS 3-33 or BMS 3-24 grease. Then install bearing (815) with a press fit against this spacer with BMS 3-33 or MIL-G-23827 grease.
 - (10) Install bushing (535) with BMS 3-33 or BMS 3-24 grease and attach pulley assembly (505) to pulley bracket assembly (475) with bolt (450), washer (460) and nut (465) coating all mating surfaces with this grease.
 - (11) Attach pulley bracket assembly (475) to lever assy (820) with retainer (470), bolts (455), washers (460) and nuts (465). Coat mating surfaces with BMS 3-33 or BMS 3-24 grease.
 - (12) Install bolts (695, 710), bushings (790, 795), washers (700, 720) and nuts (705, 725) with BMS 3-33 or BMS 3-24 grease through plate assembly (800), plate (845) and lever assembly (820).
 - (13) Install plate (845) and plate assembly (800) on shock strut with bolts (710), washers (720), nuts (725), bolt (155, Fig. 2), washers (165, Fig. 2) and nut (170, Fig. 2).
 - (14) Install support assemblies (730, 850) with screws (680), washers (685) and nuts (690).
 - (15) Install support assembly (630) with screws (635), washers (640) and nuts (645).
 - (16) Install cover assembly (420) with screws (423, 425), washers (424).
- D. Assemble and install wire provisioning installations (IPL Fig. 4).
- NOTE:** Items installed in steps (1) thru (17) are used only on limited wire provision installations. Install these parts only as required.
- (1) Clean two bands 1.5 - 2.0 inch wide around shock strut at 5.5 and 10.5 inches above steering actuator upper mounting plate with solvent (SOPM 20-30-03) and apply two layers of Mylar tape.

32-21-21ASSEMBLY
Page 709
Nov 01/04

- (2) Install clamps (60, 65) and components (20, 25, 26, 28, 40, 55) on shock strut where Mylar tape has been applied step 3.D.(1).
- (3) Install bracket (185) with bolts (165). Install angle (180) with bolts (165), screws (160), washers (170) and nuts (175).
- (4) Install bracket assembly (230) with bolts (235) and nuts (240).
- (5) Install bracket (275) with bolts (265) and nuts (270).
- (6) Install plate (320) with screws (310) and nuts (315) (installations 5A, 5B only).
- (7) Install plate (322) with screws (312) and nuts (315) (installation 5D only).
- (8) Install angle assembly (190) with screws (195), washers (200) and nuts (205).
- (9) Clean with solvent those areas on upper and lower torsion links which have surfaces of contact with bracket assemblies (370A, 372, 615A), bracket (680) and apply one layer of Mylar tape.
- (10) Attach bracket assembly (615A) to upper torsion link with bolts (280), blocks (300, 305, 307), spacers (290, 292), washers (285A) and nuts (295).
- (11) Attach bracket (680) to lower torsion link with bolts (650, 665), spacers (670), washer (655) and nuts (660, 675).
- (12) Attach brackets (645) to bracket (680) with screws (635) and nuts (640).
- (13) Attach bracket assemblies (370A, 372) with bolts (280), block (300, 305, 307), spacers (290, 292), washers (285A) and nuts (295).

32-21-21ASSEMBLY
Page 710
Jul 01/03

01.1

**BOEING**
COMPONENT
MAINTENANCE MANUAL

- (14) Install spring latch (287, 365A, 915), bracket (347, 350A, 352), angle (345) on bracket assemblies (370A, 372) with bolts (277, 279, 337, 338, 355, 920), screws (335), washers (286, 340A, 341, 342, 343, 360, 925). Install screws (325) and nuts (330) on angle.
- (15) Attach channel assemblies (460, 487) to stop bracket assemblies (490, 490A) with screws (465, 467, 468), bolts (487E), and washers (470A, 470B). Install pad assembly (435) with screws (440) and washers (445A, 445B).
- (16) Attach stop bracket assemblies (490, 490A) to lower torsion link with bolts (390, 400, 420), washers (395A, 405A, 425A, 487K), spacer (430), plate (415, 415A) and nuts (410).

NOTE: Step 3.D.(17) applies to installation (5D) only.

- (17) Install dummy receptacle (486) on stop bracket assembly (490A) with bolts (486E) and washers (486K).

NOTE: Steps 3.D.(18) thru 3.D.(23) apply to wire provision installation (5) only.

- (18) Install angle assemblies (845) with screws (850), washers (855) and nuts (860).
- (19) Install bracket (840) with bolt (820). Install angle (835) with screws (815), bolts (820), washers (825) and nuts (830).
- (20) Install angles (900, 905) with bolts (885), washers (890) and nuts (895).
- (21) Install locknut (790).
- (22) Clean two bands 1.5–2.0 inches wide around shock strut at 5.0 and 5.5 inches above steering actuator upper mounting plate with solvent (SOPM 20–30–03) and apply two layers of Mylar tape.
- (23) Install clamps (770, 775) and components (720, 725, 735, 740, 765) on shock strut over the Mylar tape you applied in step 3.D.(22).

E. Install locked sensor installation (230, IPL Fig. 5) (Fig. 702).

- (1) Install nut (210, 245, Fig. 5)
- (2) To adjust shims (215, 250, Fig. 5), remove 0.002-inch laminations from the shim to get the dimension shown in Fig. 702.

32-21-21ASSEMBLY
Page 711
Jul 01/04

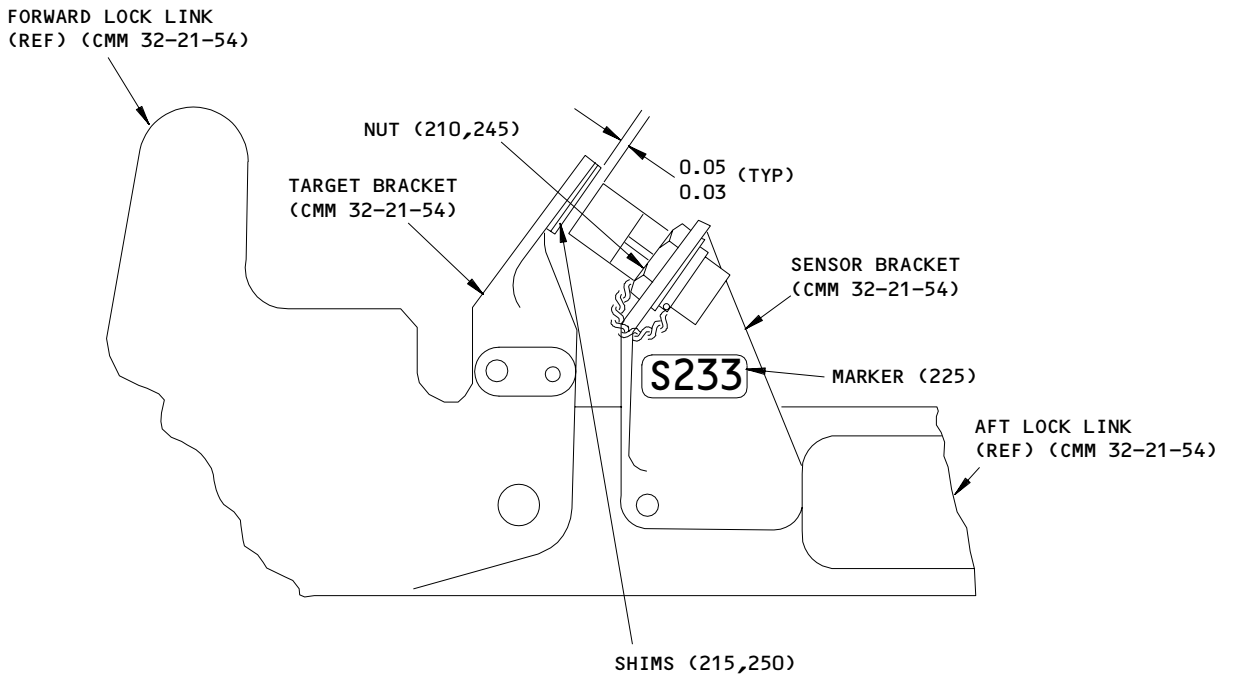
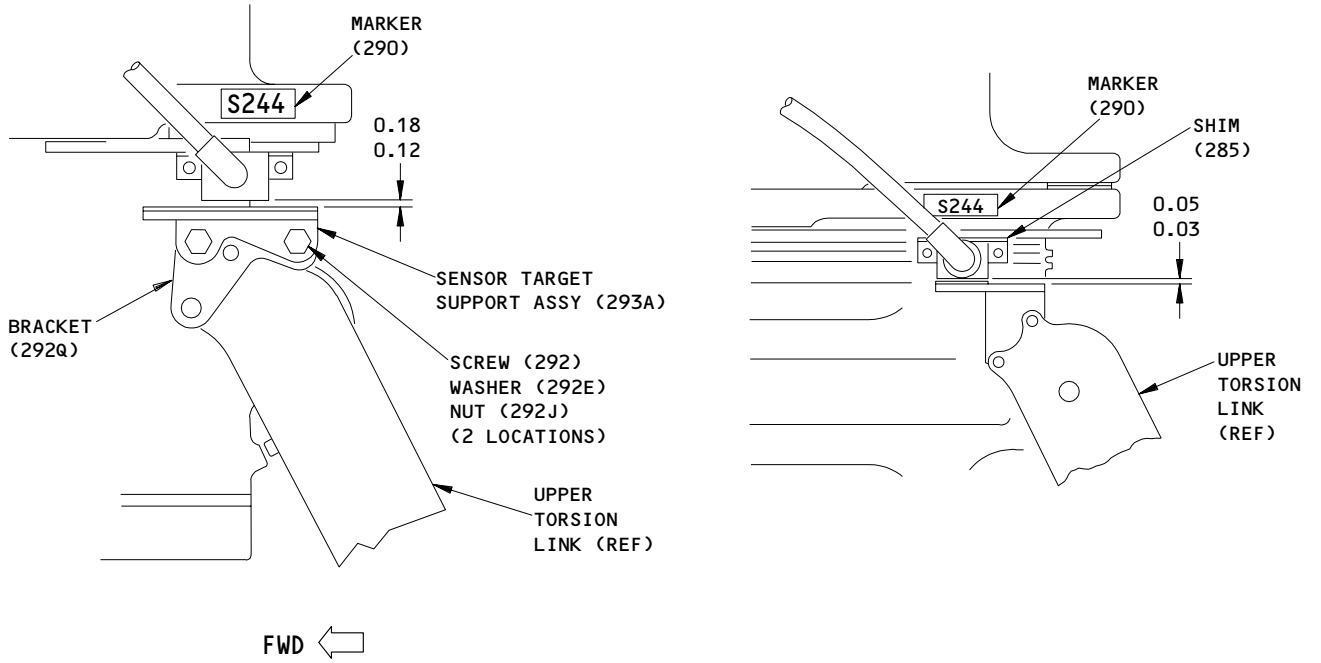
01.1

- | (3) Install and bond the shims to the structure with Type 44 adhesive (SOPM 20-50-12).

32-21-21

ASSEMBLY
Page 712
Jul 01/04

01.1



ITEM NUMBERS REFER TO IPL FIG. 5
 ALL DIMENSIONS ARE IN INCHES

Sensor Installation
 Figure 702

32-21-21

ASSEMBLY
 Page 713
 Nov 01/05

01.1

- (4) Install markers (225, 260, Fig. 5) (SOPM 20-50-05) and seal their edges with Type 41 clear protective finish (F-21.34).
 - (5) Install targets (220, 255, Fig. 5), washers (205, 240, Fig. 5) and nuts (200, 235, Fig. 5).
- F. If applicable, install taxi light installation (5), system 1 locked sensor installation (195), system 1 not compressed sensor installation (265), system 2 not compressed sensor installation (295), and landing light support installations (325, 380) (IPL Fig. 5).
- (1) Attach support bracket (185) to support zees (175, 180) with bolts (155, 160), washers (165), nuts (170) and cotter pins (171).
 - (2) Install support zees (175, 180) on shock strut with bolts (15), washers (20, 22A) and nuts (25). Install cotter pins (10) (SOPM 20-50-02).
 - (a) Electrically bond support zees (175, 180) to the shock strut. Make sure resistance is 0.0025 ohm maximum.
 - (b) Fillet seal around both ends of each bolt (15), and also between support zees (175, 180) and shock strut, with BMS 5-95 sealant.
 - (3) Install taxi light assembly (75) in support assembly (150) with screws (80) and washers (85).
 - (4) Install retainer assembly (30), lamp (70), gasket (115) and faceplate (125) on taxi light assembly (75) with screws (35).
 - (5) If this nose gear has the brake indicator light panel, adjust its position for maximum clearance with the nose gear structure as follows (Fig. 702A).
 - (a) Loosen the attachment fasteners on each side.

32-21-21

ASSEMBLY

01.1

Page 714

Nov 01/05

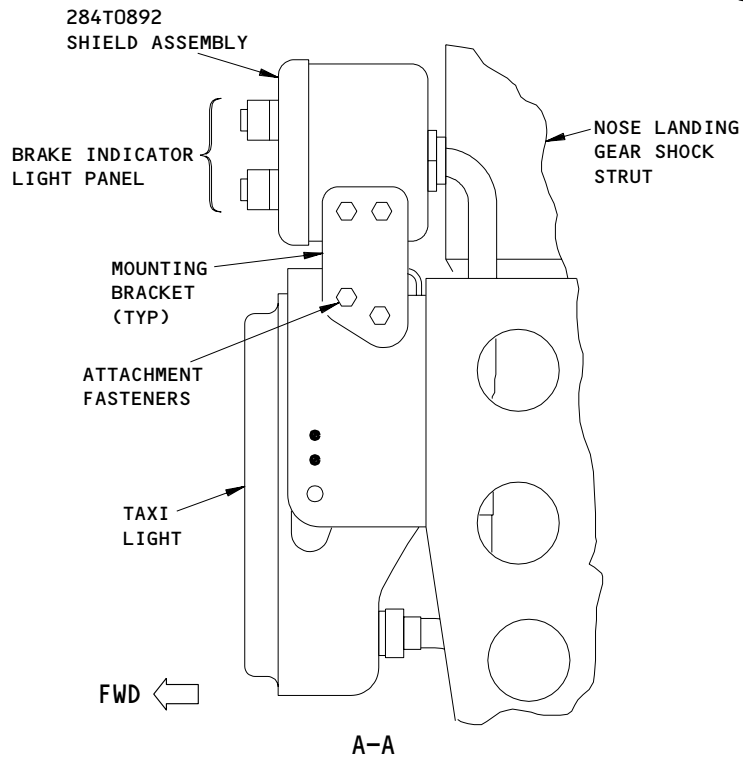
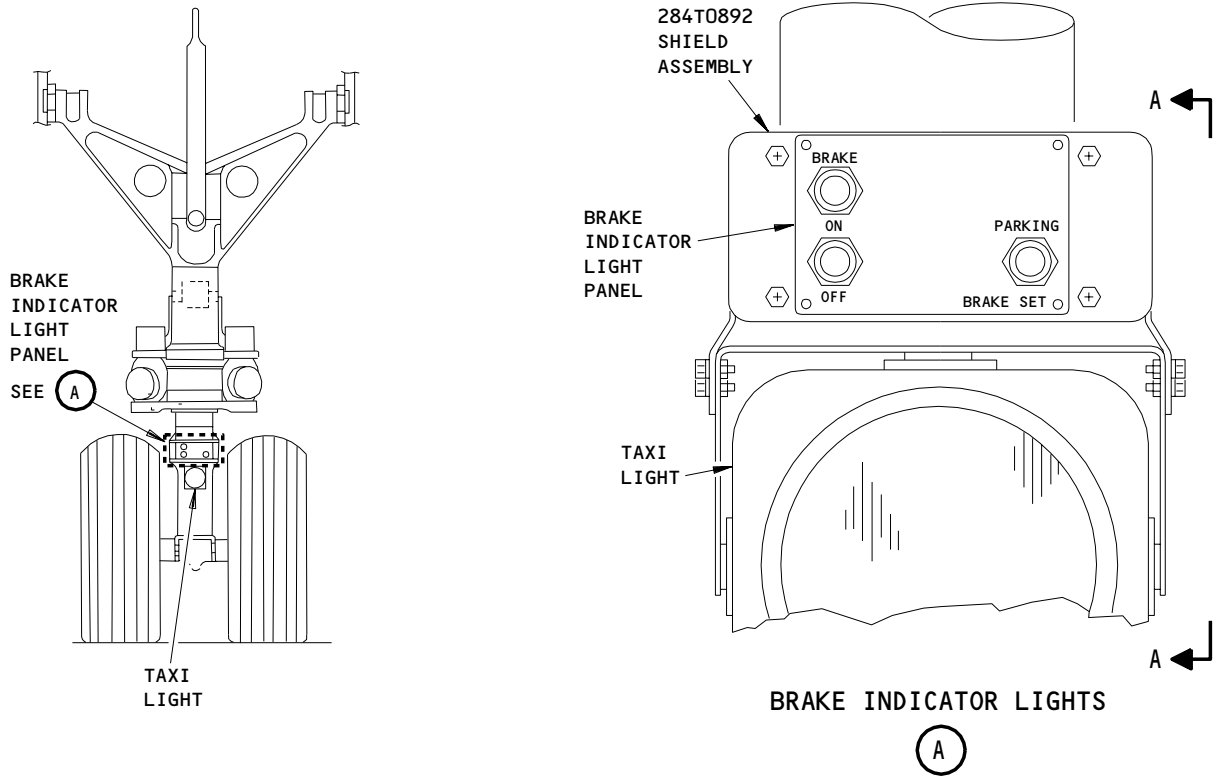


- (b) Move the shield as far aft on the mounting brackets as possible.
- (c) Tighten the attachment fasteners again.

32-21-21

ASSEMBLY
Page 715
Jul 01/04

01.1



Brake Indicator Light Panel Adjustment
 Figure 702A

32-21-21

ASSEMBLY
 Page 716
 Jul 01/04

01.1

**BOEING**
COMPONENT
MAINTENANCE MANUAL

- (6) Install landing light supports (335, 390).
 - (a) Attach landing light support assemblies (335, 390) to shock strut with bolts (340, 395), washers (345, 400) and nuts (350, 405). Install the other landing light parts by standard industry practices. Before you install the lamp, wrap three layers of Scotch 70 silicone tape around the lamp edges.
 - (b) Electrically bond the parts (SOPM 20-11-03). Maximum bond resistance is 0.0025 ohms between the light support and the ground stud on the shock strut. Do not damage the plating or paint on the nose gear components.
 - (c) Install cotter pins (330, 385).
 - (d) Touch up all bare surfaces with BMS 10-11, Type 1 primer (F-20.02) and BMS 10-60 enamel (F-14.9813, which replaces SRF-14.9813).
- (7) Install sensor parts.
 - (a) Install shims (285, 315) with screws (270, 300), washers (275, 305) and nuts (280, 310). To adjust the sensor, remove 0.002 laminations from the shim to get the gap shown in Fig. 702 with the gear centered and not compressed.
 - (b) After final shim adjustment, bond shims (285, 315) to shock strut with Type 44 adhesive (SOPM 20-50-12).
 - (c) Install sensor target support assemblies (293A, 323A) with screws (292, 322) washers (292E, 322E) and nuts (292J, 322J). Apply corrosion preventive compound to serrations, and adjust the serrated support assembly to get the gap shown in Fig. 702 with the gear centered and not compressed.
 - (d) Install markers (290, 320) (SOPM 20-50-05) and seal their edges with Type 41 clear protective finish (F-21.34).
- G. If applicable, install taxi light shield installation (5) (IPL Fig. 6).
 - (1) Install transformers (95) with jumpers (100, 105) and screws (90) in housing assembly (140).
 - (2) Install terminals (130), screws (110), washers (115), nuts (120) and cover (135) in housing assembly (140).
 - (3) Install cover (320) with screws (285) and washers (290).
 - (4) Install support assembly (40) on shield assembly (85) with screws (45). Attach angle supports (30, 35) to support assembly with bolts (15), washers (20), nuts (25) and cotter pins (10).

32-21-21

ASSEMBLY

01.1

Page 717

Nov 01/04

- (5) Install support angles (75, 80) on shield assembly (85) with screws (60) and washers (70).
- (6) Mount shield assembly (85) on the shock strut with the fasteners you find at the mounting locations.

CAUTION: MAKE SURE TO REMOVE ALL TWISTS FROM THE WIRE HARNESSSES BEFORE YOU TIGHTEN CLAMPS AND COUPLINGS. TO TIGHTEN THE COUPLING NUT, REMOVE THE PULL BOX COVER AND HOLD THE HEX FITTING INSIDE THE BOX. DO NOT HOLD THE LOCKNUT.

H. Install wire harness assemblies (70, 115, 120, 145, 150, 155, 795, 800, 805, 810, IPL Fig. 4) with clamps (35, 45, 50, 85, 87, 110, 112, 113, 114, 140, 142, 323, 745, 750, 755A, 760, 785, IPL Fig. 4), screws (10, 15, 75, 77, 90, 92, 95, 97, 98, 125, 313, 705, 710, 715, 716, 780, IPL Fig. 4), spacers (718), washers (100A, 130, 314, 730, IPL Fig. 4) and nuts (30, 80, 105, 135, 317, 735, IPL Fig. 4). After wire harnesses are installed, coat electrical terminals at lights and terminal boards with potting compound. Your selection of the compound is optional, but use only the primer specified. Lockwire harness ends and couplings per 20-50-02.

NOTE: Because the conduit diameters could be different, you can use clamps one size larger or smaller, as necessary.

POTTING COMPOUNDS *[1]	PRIMER *[2]
Dow Corning 738 *[3]	Dow Corning 1200
Dow Corning 3145 *[3]	Dow Corning 1204
General Electric 162 *[3]	SS - 4004
Products Research 1913	Products Research 1903
Products Research 1933	Products Research 1903

TABLE 1

*[1] Ref 20-60-04

*[2] Ref 20-60-02

*[3] DC-738, DC-3145 and GE-162 are one part pre-mixed compounds. When used with a brush, use the toluene (toluol) TT-T-548 as a thinner.

32-21-21

ASSEMBLY
Page 718
Jul 01/04

01.101

**BOEING**
COMPONENT
MAINTENANCE MANUAL

- I. Install cable assembly (35, IPL Fig. 3) with turnbuckles (10A, IPL Fig. 3). Install locking clips (15, IPL Fig. 3) per 20-50-02.
- J. Install cotter pins (20, IPL Fig. 3) (Fig. 7) per 20-50-02 and coat cable assembly (35, IPL Fig. 3) with BMS 3-24 grease per 20-50-07.
- K. Wheel and tire assembly (10, IPL Fig. 8) (Fig. 705) with tire pressure indication system.
 - (1) Installation of pressure sensor holder (42):
 - (a) Sparingly coat wheel interfacing O-ring of pressure sensor holder (42) with silicone compound lubricant per MIL-S-215868.
 - (b) Replace tire inflation valve (45) if present with the pressure sensor holder (42). Torque 150-200 inch-pounds.
 - (c) Install sealing cap (47) on pressure holder (42) prior to inflating tire to prevent loss of pressure.
 - (d) Lockwire the nut on the pressure holder (42) to the head of the small bolt (20) located in the web area of the wheel adjacent to the holder (42). Use double-twist method per 20-50-02. It may be necessary to pass the lockwire through the bolt head prior to installing the pressure holder (42).
- L. Wheel equipment installation (60, IPL Fig. 8) (Fig. 704) for wheel and tire assemblies with tire pressure indication system.

CAUTION: INSTALL THE PRESSURE SENSOR (115) IMMEDIATELY AFTER REMOVING THE SEAL CAP (47) TO PREVENT TIRE PRESSURE LOSS (APPROXIMATELY 1 PSI PER MINUTE).

- (1) Remove the seal cap (47) on the pressure sensor holder (42). Retain the seal cap (47) as flyaway equipment. Install the connector end of the pressure equipment. Install the connector end of the pressure sensor (115) to the wheel interface unit (160). Install the other end to the pressure sensor holder (42). The pressure sensor (115) can be installed in 30 degree increments and should be installed in such a position that the conduit is neither slack nor pulled when the hubcap assembly (85) is installed (see (5)).

32-21-21ASSEMBLY
Page 719
Jul 01/04

01.101

- (2) After installation of the pressure sensor (115), install the nut on the pressure sensor holder (42) and lockwire the nut to the head of the small bolt (20) located in the web area of the wheel adjacent to the holder (42). Lockwire using double twist method per 20-50-02.
- (3) Install spider (140) and seal (135) with nuts (125) and washers (120). Position the spider (140) such that the area adjacent to the sensor (115) provides the greatest clearance between the sensor (115) and the spider (140).
- (4) Attach the connector (165) to the wheel interface unit (160) and attach wheel interface unit (160) inside axle with bolts (145), washers (150), and nuts (155).
- (5) Install the grommet (105) on the pressure sensor (115) conduit. Position the hubcap assembly (85) and the spacer (110) so that the grommet (105) (with the pressure sensor conduit) and the spacer (110) can slide into the hubcap assembly (85) slot.

CAUTION: DO NOT PULL THE CONDUIT ONCE THE GROMMET (105) AND SPACER (110) ARE PUSHED COMPLETELY IN THE HUBCAP SLOT.

- (6) Attach the hubcap assembly (85) to the spider assembly (130) using bolts (65, 70, 90), washers (75, 95), and nuts (80, 100). Torque bolts (90) on center of hubcap assembly 30-35 inch-pounds. Tighten bolts and nuts per 20-50-01.
- M. Install wheel and tire assembly (130, 465, 470, 475, 481), axle nut (120, 122) and axle washer (125, 127) (IPL Fig. 1).
- (1) Remove axle protector A32022-1 and butter lube axle with Aeroshell No. 5 grease in area under which wheel bearings of wheel assy (140, 490) have contact with axle. Lubricate wheel bearings with Aeroshell No. 5 grease.

32-21-21ASSEMBLY
Page 720
Jul 01/04

01.101

**BOEING**
COMPONENT
MAINTENANCE MANUAL

- (2) Apply a thin layer of silicone compound lubricant to the gasket to fill valve assembly (145, 495).
- (3) Install fill valve assemblies (145, 495), in wheel assemblies (140, 490) and tighten to 150-200 pound-inches. Lockwire fill valve assembly by the double-twist method of SOPM 20-50-02.

CAUTION: MAKE SURE THE 162T1102-1 WHEEL SPACER (CMM 32-21-43, IPL FIG. 1, ITEM 670, OR CMM 32-21-47, IPL FIG. 1, ITEM 580) IS INSTALLED ON THE AXLE. IF THE SPACER IS NOT INSTALLED, THE WHEEL BEARING CAN BECOME LOOSE AND CAUSE SUBSEQUENT WHEEL FAILURE.

- (4) Carefully lift wheel and tire assemblies (130, 465, 470, 475, 480) onto the axle.
 - (5) Install axle washer (125 or 127) and axle nut (120 or 122) on axle.
 - (6) Turn the wheel and tire assembly. As the wheel turns, tighten axle nut (120 or 122) to 76-92 pound-feet with wrench adapter A32025-1. Stop the wheel and back the axle nut off to zero torque.
 - (7) With the wheel and tire assembly stationary, tighten axle nut to 34 pound-feet. Turn the axle nut more, to align holes between axle nut and axle washer but do not tighten more than 75 pound-feet.
 - (8) Install bolts (105, Fig. 1), washers (110, Fig. 1), and nuts (115, Fig. 1) through axle nut (120) and washer (125). Or, install bolts (7, IPL Fig. 8), washers (8, IPL Fig. 8), and nuts (8A or 9, IPL Fig. 8) through axle nut (122, IPL Fig. 1) and washer (127, IPL Fig. 1). Tighten the bolts and nuts to standard torque per SOPM 20-50-01.
- N. Install markers (355-series, IPL Fig. 1) (Fig. 703).
- (1) Extend the shock strut and pressurize it to 100-200 psig. This will make sure the centering cams are engaged.
 - (2) Put the applicable marker as shown with its 60-degree (or 70-degree) mark within ± 0.10 inch of the centerline of the pad on the aft side of the steering collar. Apply the marker per SOPM 20-50-05.

32-21-21ASSEMBLY
Page 721
Jul 01/04

01.101

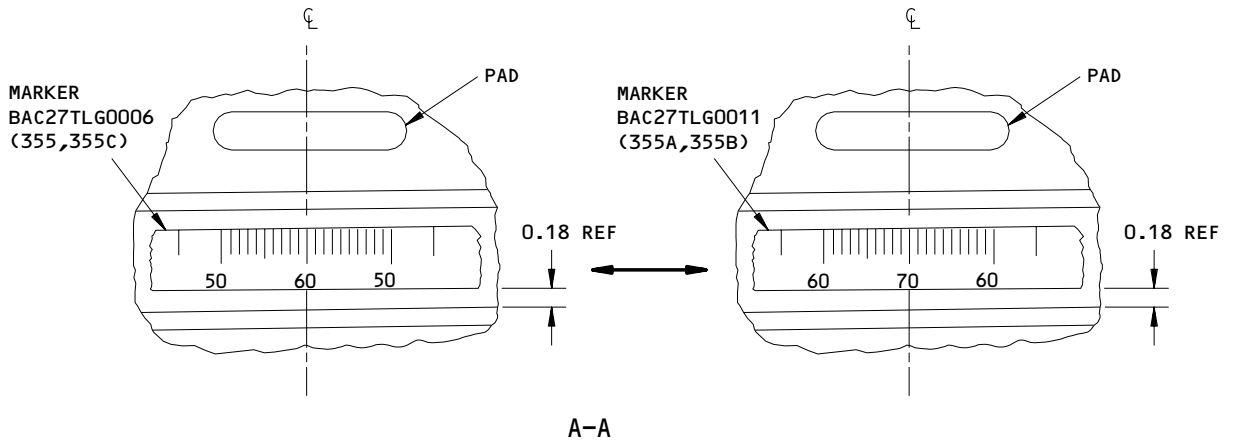
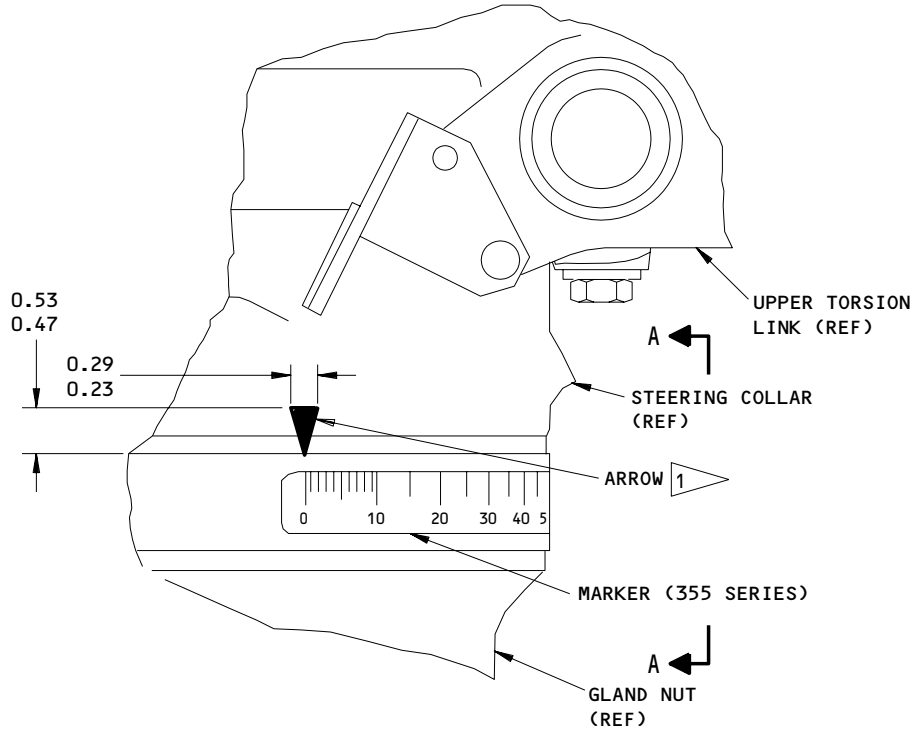
- (3) Put an arrow within ± 0.02 inch of the zero degree mark on marker (355). Use arrow decal BAC27TLG0010, or paint the arrow on the steering collar with BMS 10-60 gloss enamel, color black, (F-14.9815-701, which replaces SRF-14.9815-701) with the dimensions shown.
- (4) Apply type 41 protective clear finish per SOPM 20-44-01 to these markers and 0.07-0.13 inch out from the marker edges.
- (5) Depressurize the shock strut and compress it.

4. Storage

- A. Give protection to this unit and put it away by standard industry practices, the instructions in SOPM 20-44-02 and 20-70-01, and these steps.
- B. Put the unit in a suitable stand or fixture with sufficient support under inner cylinder to remove weight from tires.
- C. Refer to vendor's instructions for storage of wheel and tire assembly.
- D. Cover any bare metal and unprotected areas with MIL-C-16173 grade 2 corrosion preventive compound.
- E. Give the unit the protection of a vapor barrier cover, if possible.

32-21-21ASSEMBLY
Page 722
Jul 01/04

01.101



1 DECAL BAC27TLG0020 (800) OR (OPTIONAL)
 THE PAINTED ARROW SHOWN HERE

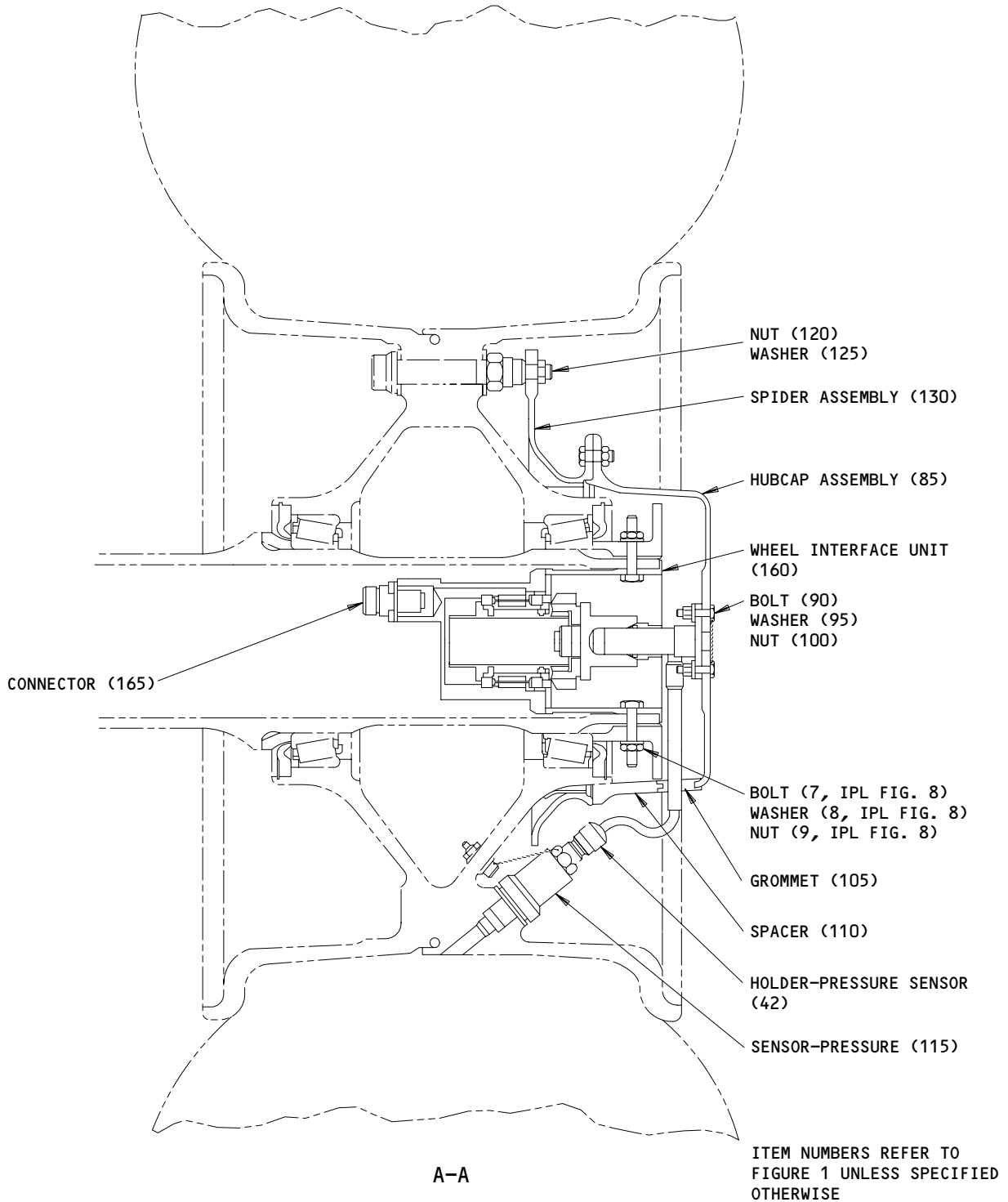
ITEM NUMBERS REFER TO IPL FIG. 1
 ALL DIMENSIONS ARE IN INCHES

Marker Installation
 Figure 703

32-21-21

ASSEMBLY
 Page 723
 Jul 01/04

01.101

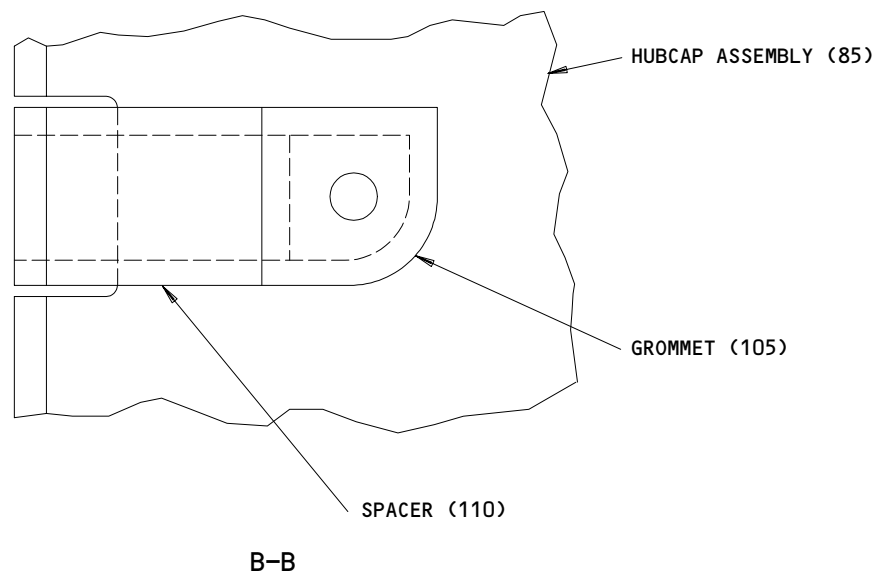


Wheel Equipment Assembly with Tire Pressure Indication System
Figure 704 (Sheet 2)

32-21-21

ASSEMBLY
Page 725
Jul 01/04

01.101



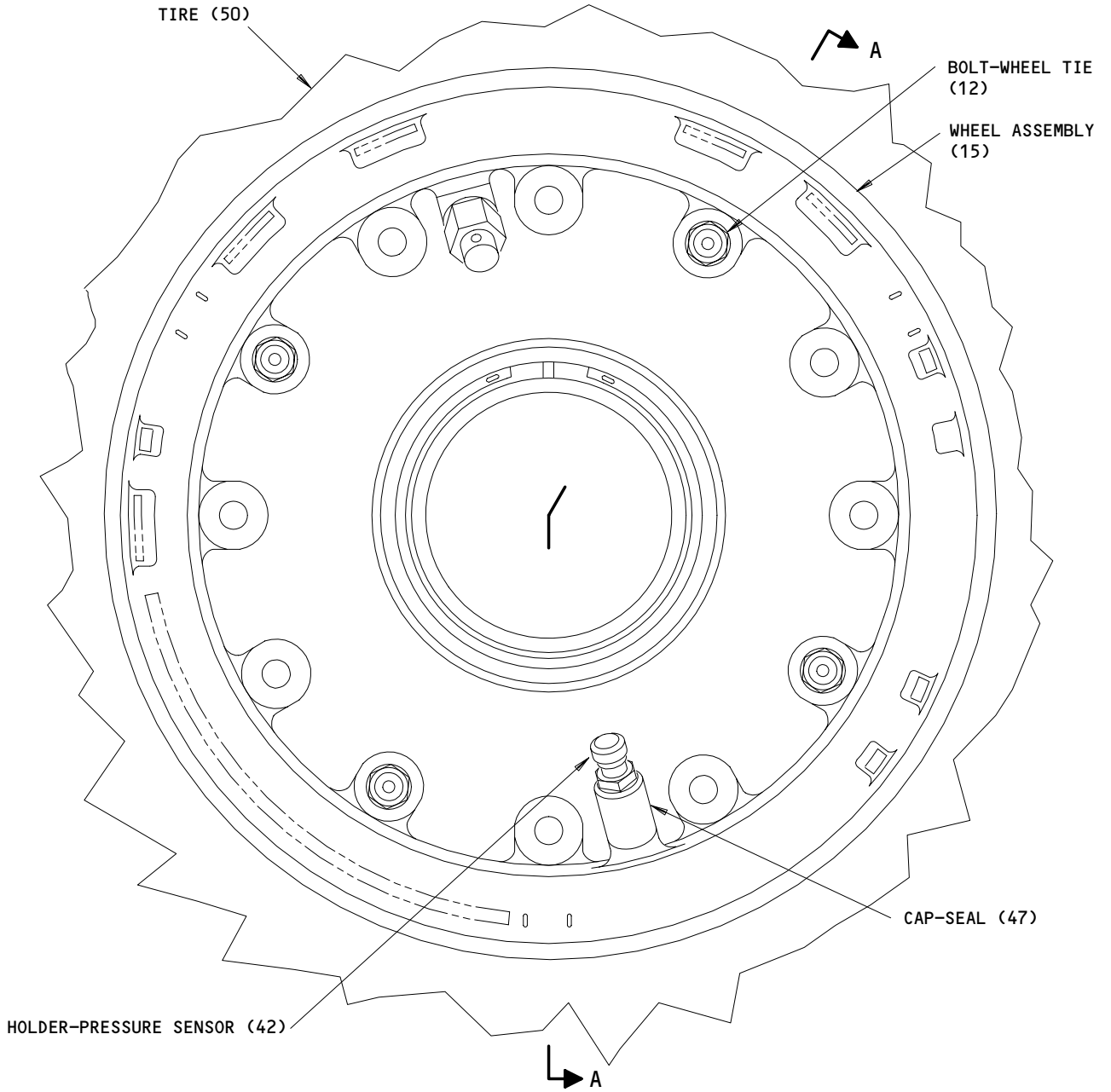
Wheel Equipment Assembly with Tire Pressure Indication System
Figure 704 (Sheet 3)

32-21-21

ASSEMBLY
Page 726
Jul 01/04

01.101

739727

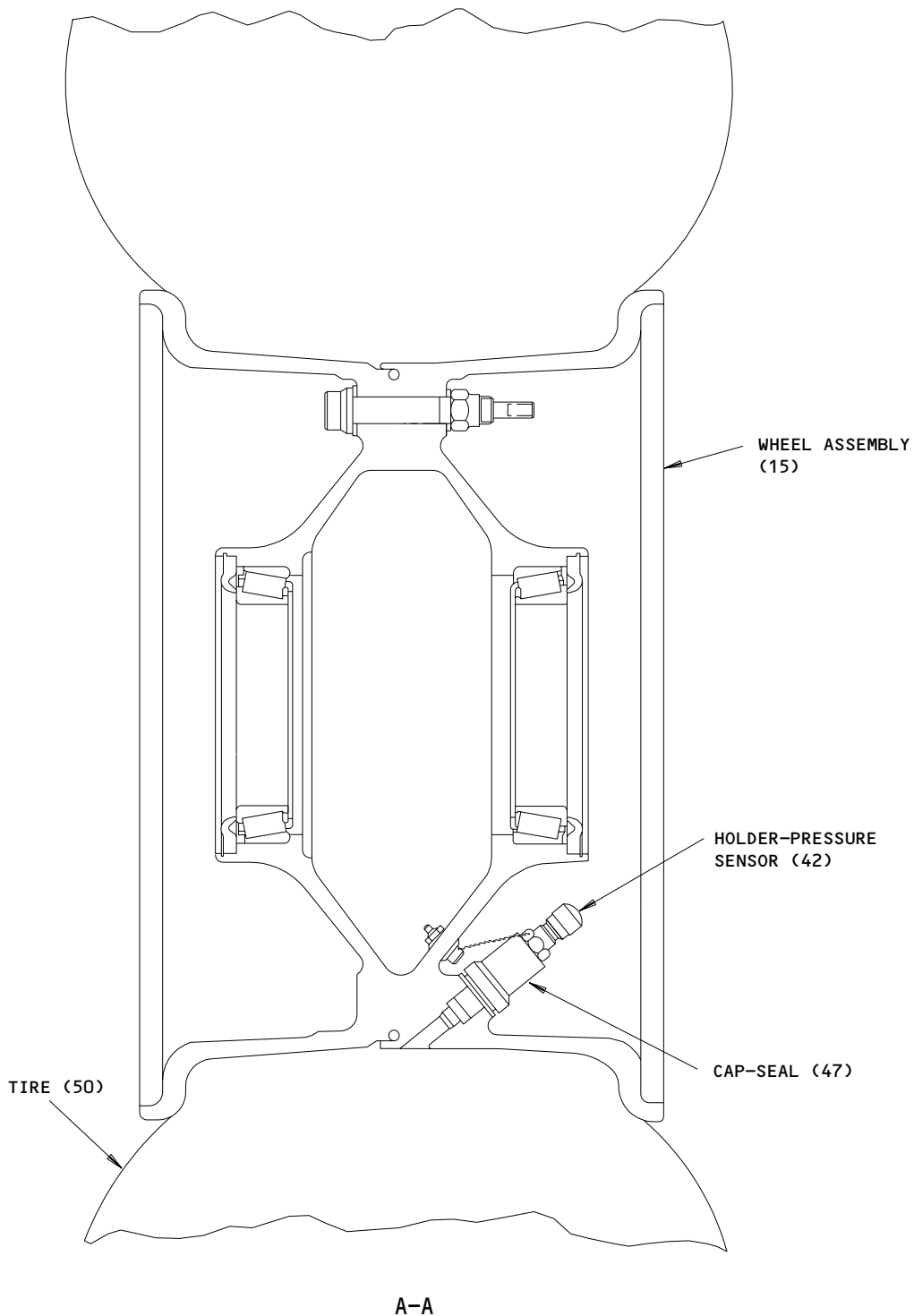


Wheel and Tire Assembly with Tire Pressure Indication System
Figure 705 (Sheet 1)

32-21-21

ASSEMBLY
Page 727
Jul 01/04

01.101



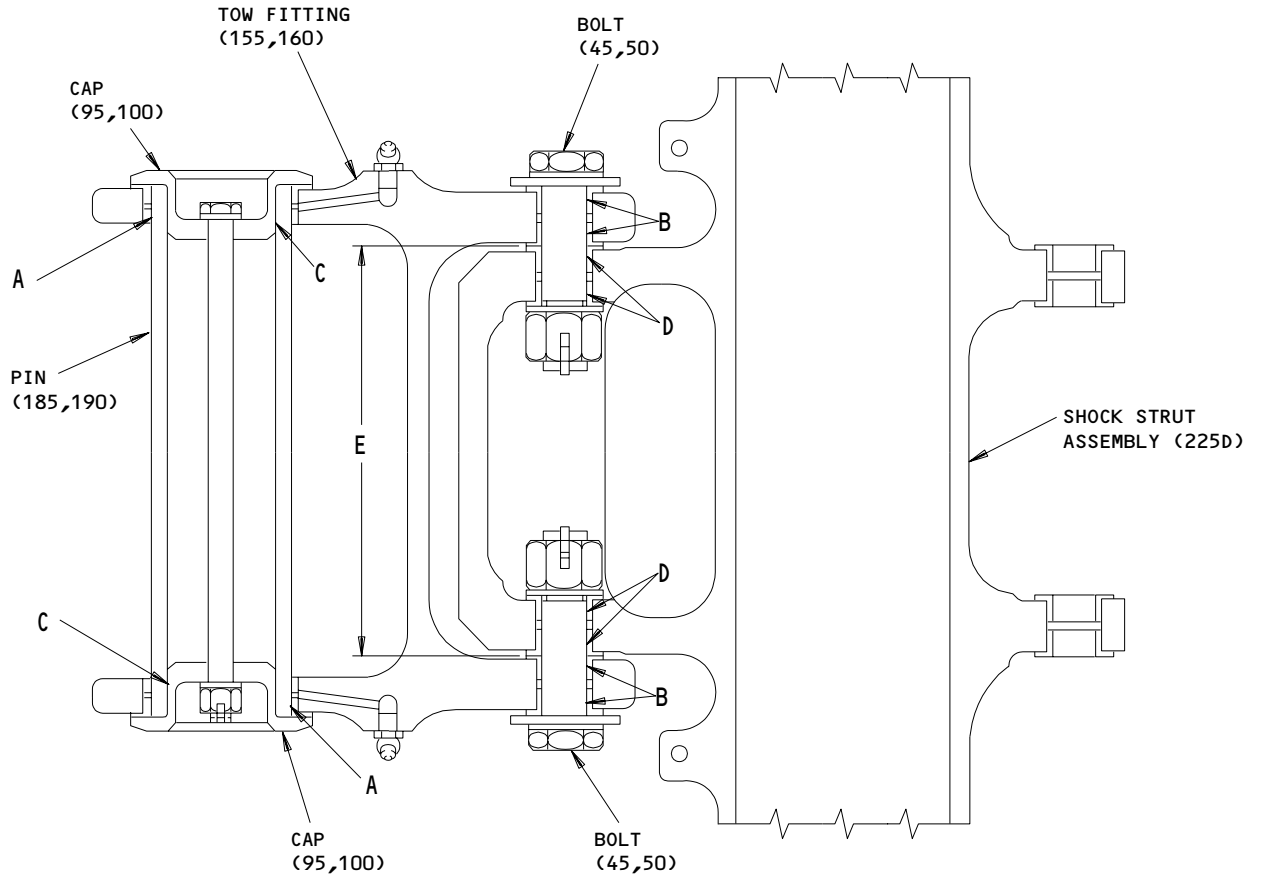
Wheel and Tire Assembly with Tire Pressure Indication System
Figure 705 (Sheet 2)

32-21-21

ASSEMBLY
Page 728
Jul 01/04

01.101

FITS AND CLEARANCES

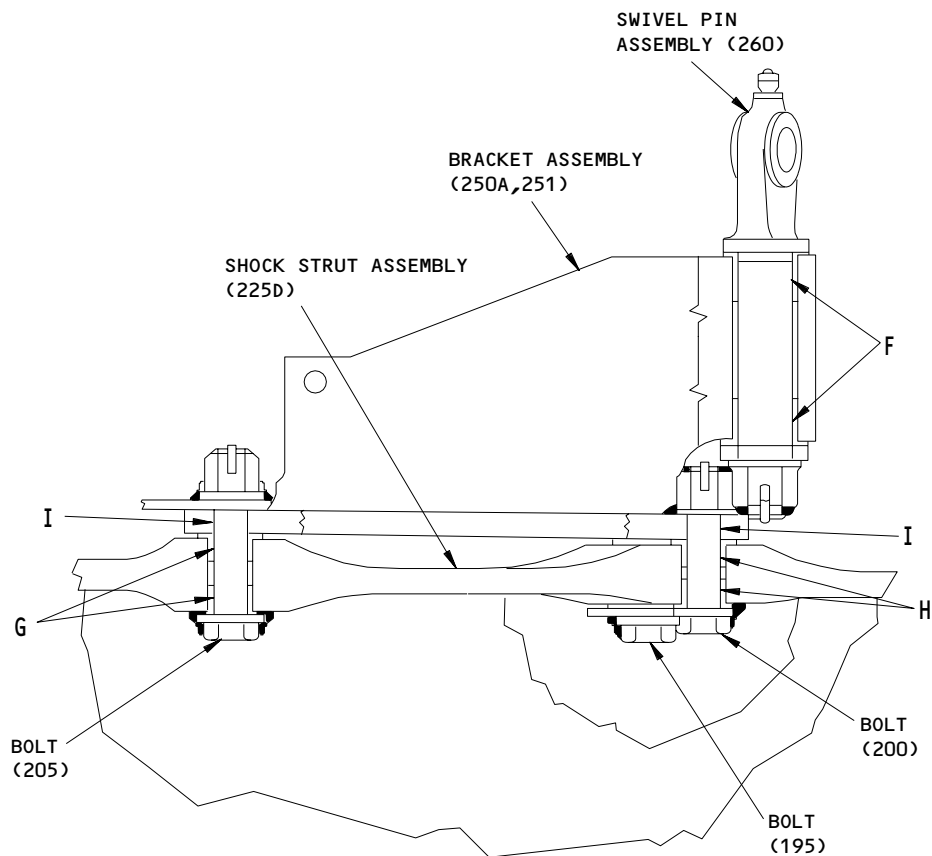


ITEM NUMBERS REFER TO IPL FIG. 1

Fits and Clearances
Figure 801 (Sheet 1)

32-21-21

FITS AND CLEARANCES
01.1 Page 801
Sep 01/97



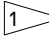
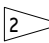
ITEM NUMBERS REFER TO IPL FIG. 1

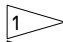
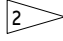
Fits and Clearances
Figure 801 (Sheet 2)

32-21-21

FITS AND CLEARANCES
01.1 Page 802
Mar 01/04


BOEING
 COMPONENT
 MAINTENANCE MANUAL

Ref Letter Fig.801	Mating Item No. IPL Fig.1	Design Dimensions				Service Wear Limits		
		Dimensions		Assembly Clearance		Dimensions		Maximum Clearance
		Min	Max	Min	Max	Min	Max	
A	ID 155,160	2.2508	2.2518	0.0018	0.0038	2.2450	2.2555	0.0065
	OD 185,190	2.2480	2.2490					
B	ID 155,160	0.7500	0.7535	0.0010	0.0050	0.7468	0.7557	0.0067
	OD 45,50	0.7485	0.7490					
C	ID 185,190	1.750	1.755	0.004	0.011	1.741	1.760	0.014
	OD 95,100	1.744	1.746					
D	ID 225D	0.7500	0.7515	0.0010	0.0030	0.7468	0.7537	0.0047
	OD 45,50	0.7485	0.7490					
E	 225D	6.6136	6.6220	0.0000	0.0177	6.5866	6.6667	0.0354
	 155,160	6.6220	6.6313					
F	ID 250A,251	0.6250	0.6265	0.0005	0.0030	0.6219	0.6291	0.0046
	OD 260	0.6235	0.6245					
G	ID 225D	0.3750	0.3780	0.0005	0.0045	0.3723	0.3802	0.0057
	OD 205	0.3735	0.3745					
H	ID 225D	0.3750	0.3780	0.0005	0.0045	0.3723	0.3802	0.0057
	OD 200,195	0.3735	0.3745					
I	ID 250A,251	0.3750	0.3790	0.0005	0.0055	0.3723	0.3812	0.0067
	OD 195,200,205	0.3735	0.3745					

 DIMENSION ACROSS SHOCK STRUT BUSHING FLANGES
 DIMENSION BETWEEN TOW FITTING BUSHING FLANGES
 ALL DIMENSIONS ARE IN INCHES

Fits and Clearances
 Figure 801 (Sheet 3)

32-21-21

FITS AND CLEARANCES
 01.1 Page 803
 Mar 01/04

FOR TORQUE VALUES OF STANDARD FASTENERS, REFER TO 20-50-01

ITEM NO. IPL FIG.	NAME	TORQUE	
		POUND-INCHES	POUND-FEET
195A, FIG. 2	RETAINING NUTS	700-750	34-75
145, FIG. 1	FILL VALVE	150-200	
120, FIG. 1	AXLE NUT		

 Torque Table
 Figure 802

32-21-21

 FITS AND CLEARANCES
 01.1 Page 804
 Jul 10/83



SPECIAL TOOLS, FIXTURES AND EQUIPMENT

NOTE: Equivalent substitutes may be used.

1. A32057-1 or -40 -- Nose Landing Gear Buildup Stand
2. A32025-1 -- Nose Landing Gear Wheel Retaining Axle Nut Wrench Adapter
3. A32022-1 -- Nose Landing Gear Axle Protector
4. F72959-6 -- Spanner Wrench
5. A32035-1 -- Nose Landing Gear Steering Actuator Wrench
- |6. A32028-6 -- Nose Landing Gear Inner Cylinder Retention Strap
- |7. A32036-43 -- Nose Landing Gear Handling Sling
- |8. A32034-1 -- Nose Landing Gear Steering Nut Wrench Adapter

32-21-21

SPECIAL TOOLS

01.1

Page 901

Apr 01/90



ILLUSTRATED PARTS LIST

1. This section lists and illustrates replaceable or repairable component parts. The Illustrated Parts Catalog contains a complete explanation of the Boeing part numbering system.

2. Indentures show parts relationships as follows:

Assembly

Detail Parts for Assembly

Subassembly

Attaching Parts for Subassembly

Detail Parts for Subassembly

Detail Installation Parts (Included only if installation parts may be returned to shop as part of assembly)

3. One use code letter (A, B, C, etc.) is assigned in the EFF CODE column for each variation of top assembly. All listed parts are used on all top assemblies except when limitations are shown by use code letter opposite individual part entries.

4. Letter suffixes (alpha-variants) are added to item numbers for optional parts, Service Bulletin modification parts, configuration differences (except left- and right-hand parts), product improvement parts, and parts added between two sequential item numbers. The alpha-variant is not shown on illustrations when appearance and location of all variants of the part is the same.

5. Service Bulletin modifications are shown by the notations PRE SB XXXX and POST SB XXXX.

A. When a new top assembly part number is assigned by Service Bulletin, the notations appear at the top assembly level only. The configuration differences at detail part level are then shown by use code letter.

B. When the top assembly part number is not changed by the Service Bulletin, the notations appear at the detail part level.

6. Parts Interchangeability

Optional
(OPT)

The parts are optional to and interchangeable with other parts having the same item number.

Supersedes, Superseded By
(SUPSDS, SUPSD BY)

The part supersedes and is not interchangeable with the original part.

Replaces, Replaced By
(REPLS, REPLD BY)

The part replaces and is interchangeable with, or is an alternate to, the original part.

32-21-21

ILLUSTRATED PARTS LIST

01

Page 1001

Jul 10/83

VENDORS

F0217 LABINAL SA
5 AV NEWTON
78051 ST QUENTIN EN YVELINES, FRANCE

K1037 DUNLOP LTD AVIATION DIV
HOLBROOK LANE
COVENTRY CV6 4AA, ENGLAND

K8455 RHP BEARINGS PLC RHP AEROSPACE
OLDENDS LANE
STONEHOUSE GL10 3RM UK

S0352 NIPPON MINIATURE BEARING CO LTD
TOKYO, JAPAN

S4233 BRIDGESTONE TIRE CO LTD
1 KYOBASHI 1-CHROME
CHUO-KU, TOKYO 104 JAPAN

S5825 YOKOHAMA RUBBER CO LTD
36-11 SHIMBASHI 5-CHOME MINATO KU
TOKYO 105, JAPAN

Z0268 QANTAS AIRWAYS LTD
QANTAS INTERNATIONAL CENTRE INTERNATIONAL SQUARE
SYDNEY NSW 2000, AUSTRALIA

OPTK6 SPS TECHNOLOGIES INC AEROSPACE PRODUCTS DIV
5195 W 4700 SPO BOX 18459
KEARNS, UTAH 84118

00624 AEROQUIP CORP AEROSPACE DIV JACKSON PLANT
300 SOUTH EAST AVENUE
JACKSON, MICHIGAN 49203-1972

32-21-21

ILLUSTRATED PARTS LIST
01.1 Page 1002
Nov 01/99

**BOEING**
COMPONENT
MAINTENANCE MANUALVENDORS

03481 GOODRICH BF CO, AEROSPACE DIV, ENG POLYMER PRODUCTS
150 DIVISION DRIVE
WILMINGTON, NORTH CAROLINA 28401

06725 AIR INDUSTRIES CORPORATION
12570 KNOTT STREET
GARDEN GROVE, CALIFORNIA 92641-3932

07573 HONEYWELL INC COMPUTER SYS COMP OPERATIONS FRAMINGHAM SEE
HONEYWELL INC HONEYWELL INFORMATION SYS V53178

08524 DEUTSCH FASTENER CORP SEE CODE V97928

08806 GENERAL ELECTRIC CO MINIATURE LAMP PRODUCTS DEPT
NELA PARK
CLEVELAND, OHIO 44112

0904B CURTIS AND GREEN FLIGHT SYSTEMS LTD
ARUNDEL ROAD UXBRIDGE TRADING POST
UXBRIDGE MIDDLESEX UB3 2RR ENGLAND

0940B SUMITOMO RUBBER INDUSTRIES LTD
1-1 TSUTUI-CHO, 1 CHROME, CHUO-KU, KOBE PO BOX 345
KOBE PORT, KOBE 651-01 JAPAN

10234 EG AND G KT AEROFAB
203 NORTH JOHNSON AVENUE PO BOX 1446
EL CAJON, CALIFORNIA 92020-3111

11815 CHERRY AEROSPACE FASTENERS DIV OF TEXTRON
1224 EAST WARNER AVENUE PO BOX 2157
SANTA ANA, CALIFORNIA 92707-0157

32-21-21ILLUSTRATED PARTS LIST
01.1 Page 1003
Nov 01/99

VENDORS

14242 VOSS INDUSTRIES INC
2168 WEST 25TH STREET
CLEVELAND, OHIO 44113-4115

15653 KAYNAR TECHNOLOGY KAYNAR DIV
800 SOUTH STATE COLLEGE BLVD PO BOX 3001
FULLERTON, CALIFORNIA 92634-3001

17446 HUCK MFG CO GOV CONTRACTS LOS ANGELES DIV SUB OF FED-MOGUL
900 WATSON CENTER ROAD
CARSON, CALIFORNIA 90745

18076 UMPCO, INCORPORATED
7100 LAMPSON AVENUE PO BOX 5158
GARDEN GROVE, CALIFORNIA 92645

21335 TORRINGTON CO FAFNIR BEARING DIV
59 FIELD STREET
TORRINGTON, CONNECTICUT 06790-4942

22175 J AND M PRODUCTS INC.
2435 NORTH NAOMI
BURBANK, CALIFORNIA 91504-3425

22277 BELL-MEMPHIS INC
1650 CHANNEL AVENUE PO BOX 13187
MEMPHIS, TENNESSEE 38113-1524

25337 RALMARK CO
83 EAST LUZERNE AVENUE PO BOX 1507
KINGSTON, PENNSYLVANIA 18704-1026

26590 HOOD INDUSTRIES
4615 SHEPARD STREET
BAKERSFIELD, CALIFORNIA 93309

32-21-21

ILLUSTRATED PARTS LIST
01.1 Page 1004
Nov 01/99

VENDORS

27238 BRISTOL INDUSTRIES
630 EAST LAMBERT ROAD PO BOX 630
BREA, CALIFORNIA 92621-4119

29965 ARVAN INCORPORATED
14083 SOUTH NORMANDIE AVENUE PO BOX 1326
GARDENA, CALIFORNIA 90249

30163 VALENTEC DAYRON INC
333 MAGUIRE BLVD PO BOX 140394
ORLANDO, FLORIDA 32814-0394

30463 TRANS TECHNOLOGY CORP ELECTRONICS DIV
8800 ALLEN ROAD
PEORIA, ILLINOIS 61615-1584

38443 MRC BEARINGS
402 CHANDLER STREET
JAMESTOWN, NEW YORK 14701-3802

40920 MPB MINIATURE PRECISION BEARING DIV
PRECISION PARK PO BOX 547
KEENE, NEW HAMPSHIRE 03431

43991 FAG BEARING INCORPORATED
118 HAMILTON AVENUE
STAMFORD, CONNECTICUT 06904

5M902 FAIRCHILD IND INC FAIRCHILD AEROSPACE FASTENER DIV
3016 W LOMITA BLVD
TORRANCE, CALIFORNIA 90505-5103

50294 NEW HAMPSHIRE BALL BEARINGS INC
9730 INDEPENDENCE AVENUE PO BOX 2515
CHATSWORTH, CALIFORNIA 91311-4323

52828 REPUBLIC FASTENER MFG CORP
1300 RANCHO CONEJO BLVD
NEWBURY PARK, CALIFORNIA 91320-1405

32-21-21ILLUSTRATED PARTS LIST
01.1 Page 1005
Nov 01/99

VENDORS

55284 ALLIED-SIGNAL INC BENDIX WHEELS AND BRAKES DIV
3520 WESTMOOR STREET PO BOX 10
SOUTH BEND, INDIANA 46624

56878 SPS TECHNOLOGIES INC AEROSPACE AND INDUSTRIAL PRODUCTS DIV
HIGHLAND AVENUE
JENKINTOWN, PENNSYLVANIA 19046

62554 SIMMONDS MECAERO FASTENERS INC
1734 SEQUOIA AVENUE
ORANGE, CALIFORNIA 92668

65196 CABLEWARE TECHNOLOGY INC
900 INDUSTRIAL BLVD. PO BOX 7515
NAPLES, FLORIDA 33941

71087 BOOTS ACFT NUT DIV TOWNSEND CO SEE TEXTRON INC CHERRY
FASTENER TOWNSEND DIV V11815

72914 GRIMES DIV MIDLAND-ROSS
550 STATE ROUTE 55 PO BOX 247 CHAMPAIGN COUNTY
URBANA, OHIO 43078

72962 HARVARD INDUSTRIES INC
3 WERNER WAY SUITE 210
LEBANON, NEW JERSEY 08833

73197 HI-SHEAR TECHNOLOGY CORP
2600 SKYPARK DRIVE
TORRANCE, CALIFORNIA 90509

73842 GOODYEAR TIRE & RUBBER COMPANY
1144 EAST MARKET STREET
AKRON, OHIO 44316-3011

77896 REXNORD INC BEARING OPERATION
2400 CURTIS STREET
DOWNERS GROVE, ILLINOIS 60515-4005

8W928 AEROQUIP CORP AEROSPACE DIV TOCCOA PLANT
MEADOWBROOK INDUSTRIAL PK PO BOX 819
TOCCOA, GEORGIA 30577-0819

32-21-21

ILLUSTRATED PARTS LIST
01.1 Page 1006
Nov 01/99

**BOEING**
COMPONENT
MAINTENANCE MANUALVENDORS

80523 BABCOCK ACCO INC ACCO CONTROLS GROUP SUB OF BABCOCK INTL
 1014 ERIE STREET PO BOX 608
 ADRIAN, MICHIGAN 49221-0608

80539 SPS TECHNOLOGIES INC AEROSPACE PRODUCTS DIV
 2701 SOUTH HARBOR BOULEVARD PO BOX 1259
 SANTA ANA, CALIFORNIA 92702-1259

83014 HARTWELL CORPORATION
 900 SOUTH RICHFIELD ROAD
 PLACENTIA, CALIFORNIA 92670-6732

83086 NEW HAMPSHIRE BALL BEARINGS, INCORPORATED
 ROUTE 202
 PETERBOROUGH, NEW HAMPSHIRE 03458

83187 GOODRICH BF CO THE AEROSPACE & DEFENSE DIV AIRCRAFT TIRES
 250 NORTH CLEVELAND-MASSILLION ROAD PO BOX 5501
 AKRON, OHIO 44318-0501

83930 IMO DELAVAL INC ADEL FASTENERS DIV
 1444 WASHINGTON AVENUE PO BOX 7727
 HUNTINGTON, WEST VIRGINIA 25778

84971 TA MANUFACTURING CORP SUB OF CRITON CORP
 375 WEST ARDEN AVENUE PO BOX 2500
 GLENDALE, CALIFORNIA 91209-2500

88301 MYSTIK TAPE CORP
 CHICAGO, ILLINOIS 60619
 OBSOLETE RECORD LOCATION UNKNOWN

91816 CIRCLE SEAL CONTROLS INC A WATTS INDUSTRIES INC CO
 2301 WARDLOW CIRCLE PO BOX 3300
 CORONA, CALIFORNIA 91718

32-21-21ILLUSTRATED PARTS LIST
01.1 Page 1007
 Nov 01/99

VENDORS

92003 PARKER-HANNIFIN CORPORATION
18321 JAMBOREE BOULEVARD PO BOX C-19510
IRVINE, CALIFORNIA 92713

92215 FAIRCHILD IND INC FAIRCHILD AEROSPACE FASTENER DIV
3010 W LOMITA BLVD
TORRANCE, CALIFORNIA 90505-5102

94581 NATIONAL UTILITIES CORP/NUCO
1700 HICKORY DRIVE PO BOX 14639
FORT WORTH, TEXAS 76117-6020

95879 ALEMITE DIVISION OF STEWART WARNER CORP
1826 DIVERSEY PARKWAY
CHICAGO, ILLINOIS 60614-1540

97393 SHUR-LOK CORPORATION
2541 WHITE ROAD PO BOX 19584
IRVINE, CALIFORNIA 92713

97928 DEUTSCH FASTENER CORP
3969 PARAMONT BOULEVARD
LAKEWOOD, CALIFORNIA 90712-4193

98625 AEROQUIP CORP AEROSPACE DIV MARMON PLANT SEE AEROQUIP
CORP AEROSPACE DIV V00624

32-21-21

ILLUSTRATED PARTS LIST
01.1 Page 1008
Nov 01/99

REFERENCE DESIGNATOR INDEX (SEE SCHEMATIC DIAGRAM)		
REFERENCE DESIGNATOR	PART NUMBER	FIG-ITEM
S00233	284T0268-1	5-195
S00244	284T0268-3	265
S00255	284T0268-2	230
S00266	284T0268-4	295

32-21-21

ILLUSTRATED PARTS LIST

01.1

Page 1009

Nov 01/05

PART NUMBER	AIRLINE PART NO.	FIG.	ITEM	TTL REQ
ABRL4M9WG		3	605	1
		3	605	1
ABR4M8WG		3	585	1
		3	585	1
ACMGDW4K2A3908		3	480A	1
AE81090J		2	85	2
AN924-10		2	80	2
AN960-10L		1	142	1
		1	492	1
		8	25	1
AN960-616		1	320	1
		5	345	2
		5	400	2
		6	500	
		6	555	
AN960-616L		5	22A	2
		9	20	2
AN960C10		8	95A	2
AN960C10L		1	389	3
		1	390	2
		1	711	2
		1	770	3
		4	283	3
		4	360	2
		4	730	
		4	855	
		4	925	2
AN960C416L		4	890	
AN960D10L		1	223	3
AN960JD10		4	28A	6
		4	733	2
		4	950	3
		4	100B	6
		4	130A	6
		4	170A	4
		4	314A	1
		4	341A	2
		4	342A	2
		4	405B	2
		4	445C	2
		4	470C	5
		4	487L	4
		4	825A	4
		8	95	

32-21-21

 ILLUSTRATED PARTS LIST
 01.1 Page 1010
 Nov 01/05


BOEING
 COMPONENT
 MAINTENANCE MANUAL

PART NUMBER	AIRLINE PART NO.	FIG.	ITEM	TTL REQ		
AN960JD10L		3	427	10		
		4	72	2		
		4	89	1		
		4	732	14		
		4	907	4		
		4	944	2		
		4	968	2		
		4	981	6		
		4	200A	2		
		4	285B	4		
		4	313G	2		
		4	340B	2		
		4	343A	2		
		4	470D	5		
		4	486L	2		
		4	855A	2		
		AN960JD4		4	332	4
				4	587	4
		AN960JD4L		4	486R	4
				4	985J	4
AN960JD416		4	954	2		
		4	890B	4		
		8	8	4		
		8	75			
AN960JD416L		8	120			
		4	425B	1		
		4	890A	4		
AN960JD616L		8	150			
		4	395B	1		
		4	655A	1		
AN960KD10		4	100			
		4	405			
		4	445			
		4	470			
AN960KD10L		4	285			
		4	340			
AN960KD416L		4	425			
AN960KD616L		4	395			

32-21-21

ILLUSTRATED PARTS LIST

01.1

Page 1011

Nov 01/05

PART NUMBER	AIRLINE PART NO.	FIG.	ITEM	TTL REQ
AN960PD10		1	540	2
		1	565	2
		1	580	6
		1	597F	4
		3	155	5
		3	305	5
		3	640	2
		3	685	3
		4	28	
		4	130	
		4	170	
		4	314	
		4	341	
		4	342	
		4	825	
		4	100A	
		4	405A	
		4	445A	
		4	470A	
		4	487K	
		6	20	4
		6	70	4
		7	155	
		7	305	
		7	640	
		7	685	
	AN960PD10L		1	405
		2	55	4
		4	200	
		4	343	
		4	285A	
		4	340A	
		4	470B	
		4	486K	
		5	275	2
		5	305	2
		5	292E	2
		5	322E	2
		6	290	
AN960PD3 AN960PD4		6	430	
		6	460	
		6	340	
AN960PD4L		6	200	
		6	230	
		6	250	
	6	115		

32-21-21

 ILLUSTRATED PARTS LIST
 01.1 Page 1012
 Nov 01/05


BOEING
 COMPONENT
 MAINTENANCE MANUAL

PART NUMBER	AIRLINE PART NO.	FIG.	ITEM	TTL REQ	
AN960PD416		3	70	1	
		3	130	1	
		3	220	1	
		3	280	1	
		3	460	4	
		3	560	2	
		3	700	1	
		5	85	3	
		5	165	6	
		7	70		
		7	130		
		7	220		
		7	280		
		7	460		
		7	560		
		7	700		
		9	55	3	
		9	145	6	
	AN960PD416L		1	525	1
	AN960PD616		4	425A	
		2	165	6	
		3	405	4	
		3	720	3	
		5	20	4	
		7	405		
		7	720		
		9	15	4	
AN960PD616L		1	520	1	
		4	655		
		4	395A		
		5	22		
AN960PD8		6	150		
		6	215		
AN960XC10L		2	105		
AN970-3		1	143	8	
		1	493	8	
		1	565A	2	
		4	445B	2	
		8	30	8	
APS01214		1	150J	1	
		1	150K	1	
		1	500J	1	
		1	500K	1	
		8	50H	1	
		8	50J	1	

32-21-21

ILLUSTRATED PARTS LIST

01.1

Page 1013

Nov 01/05

PART NUMBER	AIRLINE PART NO.	FIG.	ITEM	TTL REQ
APS01214A		1	150E	
		1	150F	
		1	150J	1
		1	150K	1
		1	500F	
		1	500G	
		1	500J	1
		1	500K	1
		8	50D	
		8	50E	
		8	50H	1
		8	50J	1
	APS01222		1	150H
		1	500H	1
		8	50G	1
AS1581T10 AVM4C		2	25	2
		3	170A	1
AVS4CM		3	320A	1
		3	505A	2
		3	170A	1
		3	320A	1
		3	505A	2
A7124 A7124-1		5	110	
		5	110A	1
		9	80	1
BACB10AD5K BACB10AD5LK BACB10AN4		3	585	1
		3	605	1
		3	175	1
		3	325	1
		3	510	1
BACB10A446H		3	585A	1
		7	585A	
BACB10BX6		3	815	1
		3	825	1
BACB10CG4 BACB10FS06J BACB10FS6		3	480	1
		3	815B	1
		3	815A	1
		3	825A	1
		3	480A	1
BACB10FY4 BACB19F10		4	55	7
		4	740	7
BACB23U10C84 BACB28AK04-026		3	830	
		3	540	2
		3	620	1
		7	540	
		7	620	

32-21-21

 ILLUSTRATED PARTS LIST
 01.1 Page 1014
 Nov 01/05


BOEING
 COMPONENT
 MAINTENANCE MANUAL

PART NUMBER	AIRLINE PART NO.	FIG.	ITEM	TTL REQ
BACB28AK04-149		3	790	1
		7	790	
BACB28AK08-065		1	238	2
BACB28U10C084		3	830B	1
		7	830B	
BACB28U10C84		3	830A	
BACB28Z4-068		1	239	2
BACB30FN6-9		5	221B	1
		5	256B	1
BACB30GP6-14		3	485	2
BACB30NF4-11		3	125	1
		3	275	1
		7	125	
		7	275	
BACB30NF4-12		8	145	2
BACB30NF4-15		3	550	1
		7	550	
BACB30NF4-16		3	455	2
		7	455	
BACB30NF4-17		3	450	2
		3	555	1
		7	450	
		7	555	
BACB30NF4-32		3	695	1
		7	695	
BACB30NF4-6		8	70	
BACB30NF4-8		8	65	
BACB30NF4-9		3	65	1
		3	215	1
		7	65	
		7	215	
BACB30NF4D4		5	160	4
		9	140	4
BACB30NF4D5		5	155	2
		9	135	2
BACB30NF6-14		3	400	2
		7	400	
BACB30NF6-26		3	395	
		7	395	
BACB30NF6-28		2	160	2
		3	395A	2
BACB30NF6-32		3	710	3
		7	710	
BACB30NF6-44		2	155	1
BACB30NF6D22		5	15	2
		9	10	2
BACB30NM3K6		8	90A	2

32-21-21

ILLUSTRATED PARTS LIST

01.1

Page 1015

Nov 01/05

PART NUMBER	AIRLINE PART NO.	FIG.	ITEM	TTL REQ
BACB30NX5K		3	110	
		3	260	
		7	110	
BACB30NX5K4		7	260	
		3	110A	2
		3	260A	2
BACB30VT6K7		3	426	2
BACC10FY078S		4	60	1
		4	770	1
		4	775A	1
BACC10FY081S		4	65	1
		4	775	1
		4	770A	1
BACC10GE10		4	87	2
		4	113	4
		4	114	2
BACC10GE11		4	760	1
		4	35	6
		4	750	6
BACC10GE20		4	35A	6
		4	750A	6
		4	785	2
BACC10GE24		4	45	2
		4	85	1
		4	755A	4
BACC10GE3		4	50	6
		4	745	6
		4	755	
BACC10GE7		4	112	1
		4	142	1
		4	110	2
BACC10GE9		4	140	3
		4	323	1
		4	87B	2
BACC10GF10C1H		4	113B	4
		4	882A	1
		4	884A	1
BACC10GF6CH		4	977A	4
		3	15A	4
		4	40	7
BACC10GU106		4	765	7
		3	25	
		3	25B	2
BACC10GU108		3	25C	2
		7	25C	
		3	25A	2
BACC15AJ1		7	25A	
BACC15AN10		3	25	
		3	25B	2
		3	25C	2
BACC2C3A00508CG		7	25C	
		3	25A	2
		7	25A	
BACC2C3A00509CG		3	25A	
BACC2C3D00509CG		7	25A	
BACC2D3A00508CG		3	25A	2
		7	25A	
		7	25A	

32-21-21

 ILLUSTRATED PARTS LIST
 01.1 Page 1016
 Nov 01/05


BOEING
 COMPONENT
 MAINTENANCE MANUAL

PART NUMBER	AIRLINE PART NO.	FIG.	ITEM	TTL REQ
BACC30BL6		3	428	2
BACC30M6		5	222	1
		5	257	1
BACC30X5		3	115	2
		3	265	2
BACF3T02C8-38		6	220	
BACF3T03D10-18		6	205	
BACG20L3		3	375	12
		3	430	18
		7	375	
		7	430	
BACN10HR3CS		5	280	2
		5	310	2
BACN10JC04		4	330	4
BACN10JC12		1	85	4
		1	90	8
BACN10JC12CD		1	85A	4
		1	90A	8
BACN10JC3		1	420	4
		1	450	2
		1	545	2
		1	420A	4
		2	60	2
		3	160	5
		3	310	5
		5	200	1
		5	235	1
		5	292J	2
		5	322J	2
BACN10JC3CD		1	420D	4
		3	645A	2
		3	690A	3
BACN10JC4		3	75	1
		3	135	1
		3	225	1
		3	285	1
BACN10JC4CD		1	242	2
		1	379	1
		1	746	1
		3	465A	4
		3	565A	2
		3	705A	1
BACN10JC5		1	115	4
BACN10JC6		1	325	1
		2	170	3
		3	410	4
BACN10JC6CD		3	725A	3

32-21-21

ILLUSTRATED PARTS LIST

01.1

Page 1017

Nov 01/05

PART NUMBER	AIRLINE PART NO.	FIG.	ITEM	TTL REQ
BACN10JD3		6	25	4
BACN10JD4		5	170	6
		9	150	6
BACN10JD6		5	25	2
		5	350	1
		5	405	1
		6	505	
		6	560	
		9	25	2
BACN10JN3		1	590	7
		1	680	2
		1	682	1
		1	683	2
		1	598U	4
		4	380	4
		4	382	2
		4	383	2
		4	480	7
		4	493	1
		4	510	1
		4	548	7
		4	573	2
		4	605	3
		4	607	3
		4	625	4
		4	962	3
		4	985	2
		4	993	3
		4	488E	4
		5	188	4
		5	360	5
		5	415	5
		9	175	4
BACN10JN4		4	963	2
		5	365	4
		5	420	4
BACN10JP3A		1	684A	3
		4	994	4
		4	608A	3
BACN10JP3B		4	353G	2
BACN10JR3		4	972	1
BACN10JR3F		3	660	4
		3	765	8
		3	865	6

32-21-21

ILLUSTRATED PARTS LIST

01.1 Page 1018

Nov 01/05


BOEING
 COMPONENT
 MAINTENANCE MANUAL

PART NUMBER	AIRLINE PART NO.	FIG.	ITEM	TTL REQ
BACN10JR4F		1	630	1
		1	598G	1
		4	565	1
		4	488P	1
BACN10JR6F		1	655	1
		4	535	1
BACN10RF60		2	205	4
BACN10YA10		2	30	2
BACN10YR3CM		8	100A	2
BACN11N6CD		1	35B	1
		1	40B	2
		1	220B	8
		1	280B	2
BACN11N7CD		1	280B	2
BACP18BC01C06P		3	20A	2
BACP18BC02C04P		3	30A	2
BACP18BC03A10P		1	25A	1
		1	30A	2
		1	215B	8
		1	265A	2
BACP30M4C		3	170A	1
		3	320A	1
		3	505A	2
		4	255	2
BACR10G33		4	255	2
BACR15BA3A		6	185	
		6	310	

32-21-21

ILLUSTRATED PARTS LIST

01.1

Page 1019

Nov 01/05

PART NUMBER	AIRLINE PART NO.	FIG.	ITEM	TTL REQ
BACR15BA3AD		1	445	4
		1	585	14
		1	625	2
		1	675	4
		1	677	2
		1	678	10
		1	598A	2
		1	598N	8
		4	210	2
		4	250	4
		4	353	4
		4	375	8
		4	377	4
		4	378	4
		4	472	
		4	475	14
		4	488	8
		4	492	2
		4	505	2
		4	547	14
		4	560	2
		4	572	4
		4	600	6
		4	602	12
		4	620	8
		4	865	2
		4	961	10
		4	971	2
		4	984	4
		4	992	14
		4	488L	2
		5	187	8
		5	355	18
	5	410	18	
	6	170		
	6	255		
	6	280		
	6	510		
	6	565		
	9	170	8	
BACR15BA4A		6	195	
		6	245	

32-21-21

 ILLUSTRATED PARTS LIST
 01.1 Page 1020
 Nov 01/05


BOEING
 COMPONENT
 MAINTENANCE MANUAL

PART NUMBER	AIRLINE PART NO.	FIG.	ITEM	TTL REQ
BACR15BA4AD		1	598	
		1	650	2
		3	740	2
		4	530	2
		4	488K	
		5	294	2
		5	324	2
		6	265	
		7	740	
		6	145	
BACR15BA5A		6	210	
		6	300	
		6	300	
BACR15BA5AD		4	990	5
BACR15BA5KE		1	365	6
		1	696	6
		1	731	6
		3	90	1
		3	240	1
		3	880	4
		7	90	
		7	240	
		7	880	
		6	335	
BACR15BB3A		1	605	
BACR15BB3AD		6	225	
BACR15BB4A		3	80	6
BACR15BB4AD		3	197	5
		3	230	6
		3	347	5
		4	585	
		4	486M	
		7	80	
		7	197	
		7	230	
		7	347	
		5	291B	1
BACR15BB4D		5	321B	1
BACR15BB4DD		5	291	
		5	321	
		6	165	
BACR15BB5A		6	165	
BACR15BB5AD		6	50	4

32-21-21

ILLUSTRATED PARTS LIST

01.1

Page 1021

Nov 01/05

PART NUMBER	AIRLINE PART NO.	FIG.	ITEM	TTL REQ
BACR15BB6AD		1	620	4
		1	645	4
		1	605A	4
		4	500	2
		4	525	4
		4	555	4
		4	575	4
BACR15BB8DD		5	291N	
		5	321N	
BACR15CE5M		1	714	2
		4	366	2
		4	930	2
BACR15DR3		3	655	8
		3	760	16
		3	860	12
		7	655	
		7	760	
		7	860	
		7	860	
BACR15FT4KE		5	291A	
		5	321A	
BACR15FT5KE		3	95	9
		3	245	9
		3	665	2
		3	750	3
		3	770	6
		3	870	8
		7	95	
		7	245	
		7	665	
		7	750	
		7	770	
	7	870		
BACR15FT8KE		5	291P	1
		5	321P	1
BACS12GM3-10		1	222	3
BACS12GM3-11		1	222A	3
BACS12HN3-6		4	77A	2
BACT14B3		3	45	1
BACU24K10		2	175	1
BACW10BN4C		8	75A	6
		8	120A	8
		8	150A	2
BACW10BN4SC		1	377	1
		1	740	1
BACW10BN4SP		1	378	1
		1	743	1
BACW10BN7UP		1	275	2

32-21-21

 ILLUSTRATED PARTS LIST
 01.1 Page 1022
 Nov 01/05


BOEING
 COMPONENT
 MAINTENANCE MANUAL

PART NUMBER	AIRLINE PART NO.	FIG.	ITEM	TTL REQ
BACW10BP12ACU		1	55	4
		1	60	8
BACW10BP12APU		1	65	4
		1	70	8
BACW10BP3APU		5	205	1
		5	240	1
		6	360	
		6	395	
BACW10BP5APU		1	110	8
BACW10BP6APU		1	15	2
		1	20	4
BACW10BP6P		1	210	16
BACW10JC6CD		1	325A	1
BACW10P186CC		1	237	2
BACW10P68S		3	424	4
BAC27TCT0010		3	440	1
		7	440	
BAC27TCT0151		3	445	1
		7	445	
BAC27TCT0449		3	445A	1
		3	445B	1
BAC27TEX1087		5	260	1
		6	415	
BAC27TEX1088		5	225	1
		6	380	
BAC27TEX1089		5	290	1
		6	445	
BAC27TEX1090		5	320	1
		6	475	
BAC27TEX2016		6	345	
BAC27TEX2349		5	190	1
		9	185	1
BAC27TEX4065		5	190A	1
BAC27TLG0006		1	355	1
		1	355C	1
BAC27TLG0010		1	800	
BAC27TLG0011		1	355A	1
		1	355B	1
BA3-3		3	45	1
		7	45	
BC1083-780S		4	60	1
		4	770	1
		4	775A	1
BC1083-810S		4	65	1
		4	775	1
		4	770A	1

32-21-21

 ILLUSTRATED PARTS LIST
 01.1 Page 1023
 Nov 01/05

PART NUMBER	AIRLINE PART NO.	FIG.	ITEM	TTL REQ
BH00303-3		5	280	2
		5	310	2
BMN10HRCPD3-3		5	280	2
		5	310	2
BMN4122AD3-12		1	85	4
		1	90	8
BMN4122CPD8-12		1	85A	4
		1	90A	8
BMN5024CPD3		6	435	
		6	465	
BMN5024CPD3-3		5	280	2
		5	310	2
BMP30M4C		3	170A	1
		3	320A	1
		3	505A	2
BM2487-3		3	45	1
		3	45	1
BRFM20A3		1	590	7
		1	680	2
		1	682	1
		1	683	2
		1	598U	4
		4	380	4
		4	382	2
		4	383	2
		4	480	7
		4	493	1
		4	510	1
		4	548	7
		4	573	2
		4	605	3
		4	607	3
		4	625	4
		4	962	3
		4	985	2
		4	993	3
		4	488E	4
5	188	4		
5	360	5		
5	415	5		
BRF200A3		9	175	4
		3	660	4
		3	765	8
		3	865	6

32-21-21

 ILLUSTRATED PARTS LIST
 01.1 Page 1024
 Nov 01/05


BOEING
 COMPONENT
 MAINTENANCE MANUAL

PART NUMBER	AIRLINE PART NO.	FIG.	ITEM	TTL REQ
BRF200A4		1	630	1
		1	598G	1
		4	565	1
		4	488P	1
BRF200A6		1	655	1
		4	535	1
		4	330	4
BRH10A04 BRH10A3		1	420	4
		1	450	2
		1	545	2
		1	420A	4
		2	60	2
		3	160	5
		3	310	5
		5	200	1
		5	235	1
		5	292J	2
		5	322J	2
BRM100A3 BRM200A3		4	353G	2
		1	684A	3
BRM300A3		4	994	4
		4	608A	3
		1	684	
		4	608	
BR2000A3 BR9080-6012 B06A078S		4	972	1
		2	205	4
		4	60	1
		4	770	1
		4	775A	1
B06A081S		4	65	1
		4	775	1
		4	770A	1
		4	770A	1
CR59083		5	280	2
		5	310	2
		3	815	1
CS206E DAT64-82B1-502 DAT64-82B1-504 DAT64-82B1-506 DAT64-82B1-509 DR23220T		2	210	4
		2	210A	4
		2	210B	4
		2	210C	4
		1	150J	1
		1	150K	1
		1	500J	1
		1	500K	1
		8	50H	1
		8	50J	1

32-21-21

 ILLUSTRATED PARTS LIST
 01.1 Page 1025
 Nov 01/05

PART NUMBER	AIRLINE PART NO.	FIG.	ITEM	TTL REQ
DR23221T		1	150J	1
		1	150K	1
		1	500J	1
		1	500K	1
		8	50H	1
		8	50J	1
DR23222T		1	150J	1
		1	150K	1
		1	500J	1
		1	500K	1
		8	50H	1
		8	50J	1
DR23224T		1	150H	1
		1	500H	1
		8	50G	1
DR23225T		8	50K	1
DW4K2-1		3	480	1
FT1219		6	95	
F177-3		6	260	
F1967-3BAC		6	190	
F5000-3BAC		3	660	4
		3	765	8
		3	865	6
		7	660	
		7	765	
		7	865	
		1	630	1
F5000-4BAC		1	598G	1
		4	565	1
		4	488P	1
		1	655	1
F5000-6BAC		4	535	1
		3	480	1
		3	480	1
GDW4K2FS428		3	480	1
GDW4K2SD610		3	480	1
GDW4K2TT		3	480	1
HHRE4MLS6-1		3	605	1
HHRE4MS6-1		3	585	1
HI2487-3		3	45	1
HL1187-5		3	115	2
		3	265	2
		7	115	
HL12-4		7	265	
		3	110A	2
		3	260A	2
HL12VAZ5-4		3	110A	2
		3	260A	2

32-21-21

 ILLUSTRATED PARTS LIST
 01.1 Page 1026
 Nov 01/05


BOEING
 COMPONENT
 MAINTENANCE MANUAL

PART NUMBER	AIRLINE PART NO.	FIG.	ITEM	TTL REQ
HL19PB6-6		5	221A	
		5	256A	
		6	376A	
		6	411A	
HL19PB6-9		5	221B	1
		5	256B	1
HL441UC6-6		5	221	
		5	256	
		6	376	
		6	411	
HL79-6		5	222	1
		5	257	1
		6	377	
		6	412	
HL86PB5		3	115	2
		3	115	2
		3	115	2
		3	265	2
		3	265	2
		3	265	2
HL87-5		3	115	2
		3	115	2
		3	115	2
		3	265	2
		3	265	2
		3	265	2
HST10AG6-7		3	426	2
HST79-6		3	428	2
		3	428	2
		3	428	2
HST79CY6		3	428	2
HT200-3		3	45	1
H10-04BAC		4	330	4
		6	120	
H10-12BAC		1	85	4
		1	90	8

32-21-21

 ILLUSTRATED PARTS LIST
 01.1 Page 1027
 Nov 01/05

PART NUMBER	AIRLINE PART NO.	FIG.	ITEM	TTL REQ
H10-3BAC		1	420	4
		1	450	2
		1	545	2
		1	420A	4
		2	60	2
		3	160	5
		3	310	5
		3	645	
		3	690	
		4	30	
		4	80	
		4	105	
		4	135	
		4	175	
		4	205	
		4	295	
		4	315	
		4	317	
		4	410	
		4	640	
		4	735	
		4	830	
		4	860	
		5	200	1
		5	235	1
		5	292J	2
		5	322J	2
		6	355	
		6	390	
		7	160	
		7	310	
		7	645	
	7	690		
H10-4BAC		3	465	
		3	565	
		3	705	
		4	240	
		4	270	
		4	675	
		4	895	
		7	75	
		7	135	
		7	225	
		7	285	
		7	465	
	7	565		
	7	705		

32-21-21

 ILLUSTRATED PARTS LIST
 01.1 Page 1028
 Nov 01/05


BOEING
 COMPONENT
 MAINTENANCE MANUAL

PART NUMBER	AIRLINE PART NO.	FIG.	ITEM	TTL REQ
H10-6BAC		3	725	
		4	660	
		7	410	
		7	725	
H39953-3		5	280	2
		5	310	2
H51650-12BAC		1	85A	4
		1	90A	8
H52732-3CM		8	100A	2
JMP4P25LY196		3	175	1
		3	325	1
		3	510	1
JM44LC13WS10R		4	87	2
		4	113	4
JM44LC13WS11R		4	114	2
		4	760	1
JM44LC13WS20R		4	35	6
		4	750	6
JM44LC13WS24R		4	35A	6
		4	750A	6
JM44LC13WS3R		4	785	2
		4	45	2
JM44LC13WS7R		4	85	1
		4	755A	4
JM44LC13WS9R		4	50	6
		4	745	6
JM44LC39S106RG		4	323	1
		4	87B	2
		4	113B	4
JM44LC39S108RG		4	882A	1
		4	884A	1
		4	977A	4
JM44LC53S106RG		4	87A	2
		4	882	2
		4	884	1
JM44LC53S108RG		4	113A	4
		4	323A	1
		4	977	4
JM44SC17HB10R		4	112	1
		4	142	1
JM44SC17SR		4	110	2
		4	140	3
KP6A		3	815	1
KP6AFS428		3	815	1
		7	815	
KP6AG27		7	825	
		3	815	1

32-21-21

ILLUSTRATED PARTS LIST

01.1

Page 1029

Nov 01/05

PART NUMBER	AIRLINE PART NO.	FIG.	ITEM	TTL REQ
KP6A2TS		3	815	1
KP6BLY196		3	815	1
KP6BSD610		3	815	1
K1000-3BAC		4	972	1
		6	175	
LCN12-624		1	35	
		1	40	
		1	220	
LCN12-720		1	280	
LLDW4K2-1		3	480	1
		7	480	
LLKP6A		3	815	1
LLMKP4		3	175	1
		3	325	1
		3	510	1
L802-5K4		3	110A	2
		3	260A	2
MBC68516-780		4	60	1
		4	770	1
		4	775A	1
MBC68516-810		4	65	1
		4	775	1
		4	770A	1
MBC68941-078		4	60	1
		4	770	1
		4	775A	1
MBC68941-081		4	65	1
		4	775	1
		4	770A	1
MBC68941-780		4	60	1
		4	770	1
		4	775A	1
MBC68941-810		4	65	1
		4	775	1
		4	770A	1

32-21-21

 ILLUSTRATED PARTS LIST
 01.1 Page 1030
 Nov 01/05


BOEING
 COMPONENT
 MAINTENANCE MANUAL

PART NUMBER	AIRLINE PART NO.	FIG.	ITEM	TTL REQ
MF1000-3BAC		1	590	7
		1	590	7
		1	680	2
		1	680	2
		1	682	1
		1	682	1
		1	683	2
		1	683	2
		1	598U	4
		1	598U	4
		4	380	4
		4	380	4
		4	382	2
		4	382	2
		4	383	2
		4	383	2
		4	480	7
		4	480	7
		4	493	1
		4	493	1
		4	510	1
		4	510	1
		4	548	7
		4	548	7
		4	573	2
		4	573	2
		4	605	3
		4	605	3
		4	607	3
		4	607	3
		4	625	4
		4	625	4
		4	962	3
		4	962	3
		4	985	2
		4	985	2
		4	993	3
		4	993	3
		4	488E	4
		4	488E	4

32-21-21

ILLUSTRATED PARTS LIST

01.1

Page 1031

Nov 01/05

PART NUMBER	AIRLINE PART NO.	FIG.	ITEM	TTL REQ
MF1000-3BAC		5	188	4
		5	188	4
		5	360	5
		5	360	5
		5	415	5
		5	415	5
		9	175	4
		9	175	4
		9	175	4
MF1000-4BAC		4	963	2
		5	365	4
		5	420	4
MF53049-3		1	590	7
		1	680	2
		1	682	1
		1	683	2
		1	598U	4
		4	380	4
		4	382	2
		4	383	2
		4	480	7
		4	493	1
		4	510	1
		4	548	7
		4	573	2
		4	605	3
		4	607	3
		4	625	4
		4	962	3
		4	985	2
		4	993	3
		4	488E	4
		5	188	4
		5	360	5
		5	415	5
	9	175	4	
MKP4		3	175	1
		3	325	1
		3	510	1
		7	175	
		7	325	
		7	510	
		7	510	
MKP4-2TS		3	175	1
		3	325	1
		3	510	1
MKP4E6531		3	175	1
		3	325	1
		3	510	1

32-21-21

 ILLUSTRATED PARTS LIST
 01.1 Page 1032
 Nov 01/05


BOEING
 COMPONENT
 MAINTENANCE MANUAL

PART NUMBER	AIRLINE PART NO.	FIG.	ITEM	TTL REQ
MKP4FS428		3	175	1
		3	325	1
		3	510	1
MKP4G20		3	175	1
		3	325	1
		3	510	1
MKP4TT		3	175	1
		3	325	1
		3	510	1
MK1000-3BAC		1	684A	3
		4	994	4
		4	608A	3
MK2000-3BAC		4	353G	2
		1	35A	1
		1	40A	2
MS14144L6		1	220A	8
		1	280A	2
		1	141	1
MS14144L7		1	491	1
		1	20	1
		8	135A	
MS16998-32		6	135	
		6	90	8
		5	60	8
MS18029-2S6		9	100	6
		5	120	19
		9	70	6
MS18029-25-6		9	95	8
		9	105	12
		9	105	12
MS20426D3		4	588	4
		4	486S	4
		4	985L	4
MS20426D4		4	588	4
		4	486S	4
		4	985L	4
MS21042L04		4	588	4
		4	486S	4
		4	985L	4

32-21-21

 ILLUSTRATED PARTS LIST
 01.1 Page 1033
 Nov 01/05

PART NUMBER	AIRLINE PART NO.	FIG.	ITEM	TTL REQ
MS21042L3		1	224	3
		1	420B	4
		1	420C	4
		4	73	2
		4	79	2
		4	30A	14
		4	80A	1
		4	946	2
		4	105A	2
		4	135A	4
		4	175A	2
		4	205A	2
		4	295A	4
		4	315A	2
		4	317A	1
		4	410A	2
		4	640A	4
		4	735A	19
		4	830A	2
		4	860A	2
MS21042L4		8	100	
		4	240A	2
		4	270A	2
		4	330A	4
		4	675A	1
		4	895A	4
		8	9	2
		8	8A	4
		8	80	3
		8	125	4
		8	155	2
		4	660A	1
MS21042L6		1	144	1
MS21044N3		1	494	1
		8	35	1
MS2125B13S		3	10	
MS21251B3S		3	10A	2
		7	10A	
MS21256-1		3	15	
		7	15	
MS21260L3RH		3	40	
MS21260S3RH		3	40A	2
		7	40A	
MS21340-25		5	210	1
		5	245	1
		6	365	
		6	400	

32-21-21

 ILLUSTRATED PARTS LIST
 01.1 Page 1034
 Nov 01/05


BOEING
 COMPONENT
 MAINTENANCE MANUAL

PART NUMBER	AIRLINE PART NO.	FIG.	ITEM	TTL REQ
MS21902-10		2	175A	1
MS21916D12-10		2	185	1
MS24665-132		3	20	2
		7	20	
MS24665-134		5	171	6
MS24665-210		5	77	AR
		5	153	
		9	45	AR
MS24665-287		5	10	2
		9	5	2
MS24665-304		1	25	1
		1	30	2
		1	215	8
		1	265	2
		5	330	1
		5	385	1
		6	485	
		6	540	
MS24665-376		1	75	4
		1	80	8
		1	215A	
MS24665-71		3	30	2
		7	30	
MS24665-88		6	10	4
MS27212-2-6		6	130	
MS27296-2		4	590	1
		4	590A	1
MS27296-3		4	486P	
		4	486V	1
MS27595-213		2	135	8
MS27595-222		2	145	8
MS35333-42		1	330	1
M83723-61-112A		4	590B	1
M83723-61-118A		4	986	1
NAS1080D06		3	495	2
		7	495	
NAS1149C0332R		1	389A	3
NAS1149D0316H		1	223A	3
NAS1149D0316J		1	405A	4
		2	105A	2
NAS1149D0332J		3	427A	10
		4	78	2
NAS1149D0363J		1	540A	2
		1	580A	6
		1	597G	4
		3	640A	2
		3	685A	3

32-21-21

 ILLUSTRATED PARTS LIST
 01.1 Page 1035
 Nov 01/05

PART NUMBER	AIRLINE PART NO.	FIG.	ITEM	TTL REQ
NAS1149D0416J		1	241	2
		1	525A	1
NAS1149D0463J		3	460A	4
		3	560A	2
		3	700A	1
		8	7J	4
NAS1149D0616J		1	520A	1
NAS1149D0663J		3	405A	4
		3	720A	3
NAS1149F0663P		1	320A	1
NAS1193-6-1		3	575	1
		3	595	1
		7	575	
		7	595	
NAS1193-6-2		3	580	1
		3	600	1
		7	580	
		7	600	
NAS1193K6-1P		3	575A	1
NAS1193K6-2P		3	580A	1
NAS1368N10A		3	855	2
		7	855	
NAS1368N12A		3	650	1
		3	735	1
		7	650	
		7	735	
NAS1515M6L		1	381A	2
		1	752A	2
NAS1515M67		1	381	
		1	752	
NAS1611-213		2	130	2
NAS1611-222		2	140	2
NAS1612-10		2	180	1
NAS1612-12		2	190	1
NAS1801-04-4		4	325	4
NAS1801-04-5		4	586	4
		4	486Q	4
		4	985G	4
NAS1801-04-6		4	325A	4
NAS1801-04-8		6	110	
NAS1801-3-09		5	292	
		5	322	
NAS1801-3-10		4	881	1
		6	285	
NAS1801-3-11		1	560	2
		4	440	2
NAS1801-3-18		4	716	2

32-21-21

 ILLUSTRATED PARTS LIST
 01.1 Page 1036
 Nov 01/05


BOEING
 COMPONENT
 MAINTENANCE MANUAL

PART NUMBER	AIRLINE PART NO.	FIG.	ITEM	TTL REQ
NAS1801-3-28		2	45	2
NAS1801-3-5		4	780	2
NAS1801-3-6		4	10	4
		4	77	2
		4	92	2
		4	95	2
		4	125	4
		4	335	4
		4	705	2
		4	635A	4
NAS1801-3-7		4	15	1
		4	71	2
		4	75	1
		4	97	3
		4	160	2
		4	468	3
		4	635	
		4	710	6
		4	815	2
		5	35	4
		9	30	4
NAS1801-3-8		1	575	6
		4	90	4
		4	98	1
		4	127	2
		4	310	2
		4	465	5
		4	715	2
		4	883	1
		4	975	4
		4	468A	3
		5	270A	2
		6	90	
NAS1801-3-9		4	122	2
		4	195	2
		4	313	1
		4	850	2
		5	270	2
		5	300	2
		5	292A	2
		5	322A	2
		6	425	
		6	455	
NAS1801-3D10		6	45	4
NAS1801-3D11		6	60	4
NAS1801-4D8		5	80	3
		9	50	3

32-21-21

ILLUSTRATED PARTS LIST

01.1

Page 1037

Nov 01/05

PART NUMBER	AIRLINE PART NO.	FIG.	ITEM	TTL REQ
NAS1802-3-6		9	125	4
NAS1802-3-8		5	147	4
NAS42DD6-31		3	150	2
		3	300	2
		3	490	2
		7	150	
		7	300	
		7	490	
NAS42DD6-38		4	718	2
NAS43DD3-38		1	415	2
		4	292	2
NAS43DD3-38FC		1	415A	2
NAS43DD3-40		1	410	2
		4	290	2
NAS43DD3-40FC		1	410A	2
NAS43DD3-77		2	50	2
NAS43HT6-20		3	715	1
		7	715	
NAS509-6		3	570	1
		7	570	
NAS509L6		3	590	1
		7	590	
NAS514P1032-10		3	425	14
		7	425	
NAS514P1032-14		3	370	12
		7	370	
NAS603-7P		4	88	1
		4	467	2
NAS623-3-10		3	145	5
		3	295	5
		7	145	
		7	295	
NAS623-3-17		3	635	2
		3	680	3
		7	635	
		7	680	
NAS623-3-5		3	423	4
NAS623-4-15		1	236	2

32-21-21

 ILLUSTRATED PARTS LIST
 01.1 Page 1038
 Nov 01/05


BOEING
 COMPONENT
 MAINTENANCE MANUAL

PART NUMBER	AIRLINE PART NO.	FIG.	ITEM	TTL REQ	
NAS6603-2		1	385	2	
		1	708	2	
		4	245	2	
		4	338	2	
		4	355	2	
		4	906	4	
		4	920	2	
		4	966	2	
		4	979	6	
		4	486E	2	
	NAS6603-3		1	597	4
			2	100	
			4	20	2
		4	312	2	
		4	337	2	
		4	725	2	
		4	487E	4	
NAS6603-4			1	388	1
		1	767	1	
		4	25	3	
		4	165	4	
		4	279	1	
		4	720	5	
		4	820	4	
		4	942	2	
		4	948	3	
	NAS6603-48		1	400	2
			1	402	2
		1	723	2	
		4	280	2	
		4	282	2	
		2	100A	2	
NAS6603-5			1	386	2
NAS6603-50		1	764	2	
		4	277	2	
		1	535	2	
NAS6603-6		4	400	2	
		4	26	2	
NAS6603-7		4	26	2	
NAS6603D4		6	15	4	
NAS6604-3		4	235	2	
		4	265	2	
		4	885	4	
		4	952	2	
NAS6604-6		4	952	2	
NAS6604-7		1	515	1	
		4	420	1	
		4	665	1	

32-21-21

ILLUSTRATED PARTS LIST

01.1

Page 1039

Nov 01/05

PART NUMBER	AIRLINE PART NO.	FIG.	ITEM	TTL REQ
NAS6606-10		1	510	1
		4	390	1
NAS6606-5		4	650	1
NAS6606D15		5	340	1
		5	395	1
		6	550	
NAS6606D20		1	195	2
NAS6606D21		1	200	2
NAS6606D23		1	205A	4
NAS6606D24		1	205	4
NAS6606D26		1	200A	2
NAS6606015		6	495	
NAS6703H7		8	90	
NAS6704-11		8	7	2
NAS6704-25		1	376	1
		1	737	1
NAS6704-8		8	65A	3
NAS6705-7		1	105	4
NAS6706D121		1	5	
		1	9	1
		1	10	2
NAS6712D32		1	45	4
		1	50	8
NAS6712U32		1	45A	4
NAS680A3		5	95	4
		9	65	4
NAS72-6E009		3	795	1
		7	795	
NAS75-4-113		1	749	1
		1	380C	1
NS103197-02		1	684A	3
		4	994	4
		4	608A	3
NS103198-02		4	353G	2
NS103202-02		4	972	1
NS103203-02		3	660	4
		3	765	8
		3	865	6
NS103203-048		1	630	1
		1	598G	1
		4	565	1
		4	488P	1
NS103203-064		1	655	1
		4	535	1

32-21-21

 ILLUSTRATED PARTS LIST
 01.1 Page 1040
 Nov 01/05


BOEING
 COMPONENT
 MAINTENANCE MANUAL

PART NUMBER	AIRLINE PART NO.	FIG.	ITEM	TTL REQ	
NS103218-02		1	590	7	
		1	680	2	
		1	682	1	
		1	683	2	
		1	598U	4	
		4	380	4	
		4	382	2	
		4	383	2	
		4	480	7	
		4	493	1	
		4	510	1	
		4	548	7	
		4	573	2	
		4	605	3	
		4	607	3	
		4	625	4	
		4	962	3	
		4	985	2	
		4	993	3	
		4	488E	4	
		5	188	4	
		5	360	5	
		5	415	5	
		9	175	4	
	NS103218-048		4	963	2
			5	365	4
			5	420	4
NS202101-02		1	420	4	
		1	450	2	
		1	545	2	
		1	420A	4	
		2	60	2	
		3	160	5	
		3	310	5	
		5	200	1	
		5	235	1	
		5	292J	2	
		5	322J	2	
NS202101-40		4	330	4	
	PACMKP6AA3908	3	815A	1	
PLH53CM	8	100A	2		
QC34191-1		1	152	1	
		1	502	1	
		8	55	1	
RA2487-3	3	45	1		
REP4ML6-4E9171B	3	605	1		

32-21-21

 ILLUSTRATED PARTS LIST
 01.1 Page 1040A
 Nov 01/05

PART NUMBER	AIRLINE PART NO.	FIG.	ITEM	TTL REQ
REP4ML6-4E91715		3	605A	1
		7	605A	
REP4ML6-4FS428		3	605	1
		7	605	
REP4M6-4E9171B		3	585	1
REP4M6-4FS428		3	585	1
		7	585	
RMA9201-3		4	972	1
RMA9201M3		1	684A	3
		4	994	4
		4	608A	3
RMA9207-3		4	353G	2
RMF9201-3		3	660	4
		3	765	8
		3	865	6
RMF9201-4		1	630	1
		1	598G	1
		4	565	1
		4	488P	1
RMF9201-6		1	655	1
		4	535	1
RMF9201M3		1	590	7
		1	680	2
		1	682	1
		1	683	2
		1	598U	4
		4	380	4
		4	382	2
		4	383	2
		4	480	7
		4	493	1
		4	510	1
		4	548	7
		4	573	2
		4	605	3
		4	607	3
		4	625	4
		4	962	3
		4	985	2
		4	993	3
		4	488E	4
		5	188	4
		5	360	5
		5	415	5
		9	175	4

32-21-21

 ILLUSTRATED PARTS LIST
 01.1 Page 1040B
 Nov 01/05


BOEING
 COMPONENT
 MAINTENANCE MANUAL

PART NUMBER	AIRLINE PART NO.	FIG.	ITEM	TTL REQ
RMF9201M4		4	963	2
		5	365	4
		5	420	4
RMLH9074-12		1	85	4
		1	90	8
		1	420	4
RMLH9075-3W		1	450	2
		1	545	2
		1	420A	4
		2	60	2
		3	160	5
		3	310	5
		5	200	1
		5	235	1
		5	292J	2
		5	322J	2
RMLH9075-40W R30M4C		4	330	4
		3	170A	1
		3	320A	1
SL2822-60 SL7059C1032		3	505A	2
		2	205	4
		5	280	2
		5	310	2
		1	150H	1
SR23224T		1	500H	1
		8	50G	1
SSMGDW4K2SD705 SSMKP6ASD705 S0077A		3	480A	1
		3	815A	1
		1	150J	1
		1	150K	1
		1	500J	1
		1	500K	1
		8	50H	1
		8	50J	1
S160T200-30		1	140	1
		1	490	1
		8	15	1
S160T200-31		1	140A	
		1	140B	1
		1	490A	
		1	490B	1
		8	15A	
		8	15B	1
S160T201-402		1	150A	
		1	500A	

32-21-21

 ILLUSTRATED PARTS LIST
 01.1 Page 1040C
 Nov 01/05

PART NUMBER	AIRLINE PART NO.	FIG.	ITEM	TTL REQ
S160T201-412		1	150J	1
		1	150K	1
		1	500J	1
		1	500K	1
		8	50H	1
S160T201-422		8	50J	1
		1	150C	
		1	150H	1
S160T201-423		1	500C	
		1	500H	1
		8	50A	
		8	50G	1
S275T601-10		8	50K	1
		2	195D	
S275T601-11		2	195E	1
		2	195F	
S275T601-5		2	195G	1
S275T601-7		2	195A	1
S283T024-2		2	195B	1
S283T024-3		8	160	1
S283U006-5		8	115	1
S283U006-9		8	42	1
S369WH10		8	47	1
		4	87	2
S369WH11		4	113	4
		4	114	2
S369WH20		4	760	1
		4	35	6
S369WH24		4	750	6
		4	35A	6
S369WH3		4	750A	6
		4	785	2
S369WH7		4	45	2
		4	85	1
S369WH9		4	755A	4
		4	50	6
S386CH6		4	745	6
		4	110	2
S387SSH10		4	140	3
		4	112	1
TA12C32S3		4	142	1
		4	785	2
TA12C32WS10		4	87	2
		4	113	4
TA12C32WS11		4	114	2
		4	760	1

32-21-21

 ILLUSTRATED PARTS LIST
 01.1 Page 1040D
 Nov 01/05


BOEING
 COMPONENT
 MAINTENANCE MANUAL

PART NUMBER	AIRLINE PART NO.	FIG.	ITEM	TTL REQ
TA12C32WS20		4	35	6
		4	750	6
TA12C32WS24		4	35A	6
		4	750A	6
TA12C32WS7		4	45	2
		4	85	1
		4	755A	4
TA12C32WS9		4	50	6
		4	745	6
TA12C34C6		4	110	2
		4	140	3
TA12C34H10-1		4	112	1
		4	142	1
TRJ781-03		8	41	2
T6S1032J		1	420	4
		1	450	2
		1	545	2
		1	420A	4
		2	60	2
		3	160	5
		3	310	5
		5	200	1
		5	235	1
		5	292J	2
		5	322J	2
T6S440J		4	330	4
T8076S1032		1	684A	3
		4	994	4
		4	608A	3
T8077S1032		4	353G	2
T8088S1032		4	972	1
T8091S1032		3	660	4
		3	765	8
		3	865	6
T8091S428		1	630	1
		1	598G	1
		4	565	1
		4	488P	1
T8093C624		1	655	1
		4	535	1
T8099S3SK		6	295	
T8124S3S		4	473	
		6	515	
		6	570	

32-21-21

 ILLUSTRATED PARTS LIST
 01.1 Page 1040E
 Nov 01/05

PART NUMBER	AIRLINE PART NO.	FIG.	ITEM	TTL REQ
T8124S4S		4	963	2
		5	365	4
		5	420	4
		6	520	
		6	575	
		4	972	1
VN102A1-02		3	660	4
VN152A1-02		3	765	8
VN152A1-048		3	865	6
		1	630	1
		1	598G	1
		4	565	1
VN152A1-064		4	488P	1
		1	655	1
		4	535	1
VN201A1-02		4	353G	2
VN202A1-02		1	684A	3
VN252A02		4	994	4
		4	608A	3
		1	590	7
		1	680	2
		1	682	1
		1	683	2
		1	598U	4
		4	380	4
		4	382	2
		4	383	2
		4	480	7
		4	493	1
		4	510	1
		4	548	7
		4	573	2
		4	605	3
		4	607	3
		4	625	4
		4	962	3
		4	985	2
4	993	3		
4	488E	4		
5	188	4		
5	360	5		
5	415	5		
9	175	4		

32-21-21

 ILLUSTRATED PARTS LIST
 01.1 Page 1040F
 Nov 01/05


BOEING
 COMPONENT
 MAINTENANCE MANUAL

PART NUMBER	AIRLINE PART NO.	FIG.	ITEM	TTL REQ	
VN252A048		4	963	2	
		4	963	2	
		5	365	4	
		5	365	4	
		5	420	4	
		5	420	4	
	VN303A02		1	420	4
			1	450	2
			1	545	2
			1	420A	4
		2	60	2	
		3	160	5	
		3	310	5	
		5	200	1	
		5	235	1	
		5	292J	2	
VN303A40		5	322J	2	
	WSI4-3	4	330	4	
		6	315		
	ZZY10R5P6L	8	165		
	015T1626-6	3	390H	1	
	015T1626-7	3	390J	1	
	015T1626-8	3	390K	1	
	015T1626-9	3	390L	1	
	020-739-0	8	50F		
		8	50K	1	
032-740		1	150B		
		1	500B		
032-744		1	150		
		1	500		
		1	150D		
		1	150J	1	
		1	150K	1	
		1	500D		
	1	500J	1		
	1	500K	1		
	8	50			
	8	50B			
8	50H	1			
039-739-0	8	50J	1		
	1	150G			
	1	150H	1		
	1	500E			
	1	500H	1		
	8	50C			
	8	50G	1		
	10-40	8	40C	1	

32-21-21

 ILLUSTRATED PARTS LIST
 01.1 Page 1040G
 Nov 01/05

PART NUMBER	AIRLINE PART NO.	FIG.	ITEM	TTL REQ
10-44		1	145	1
		1	495	1
		8	40	1
		8	40B	
		80	1	RF
10-4905-24		80	10	1
10-57		1	145A	1
		1	495A	1
		8	40A	1
		80	1A	RF
10-6015		80	5A	1
10-6017		80	5	1
102LH9074-12		1	85A	4
		1	90A	8
109LH9031-3		5	280	2
		5	310	2
161T1210-15		1	290	2
161T1210-37		1	170	8
		1	170A	8
161T1210-40		1	245	
		1	253	2
161T1300-1		1	175A	
161T1301-2		1	180A	
162T0000-203		1	1A	RF
162T0000-204		1	1C	RF
162T0000-205		1	1D	RF
162T0000-206		1	1B	RF
162T0000-207		1	7H	RF
162T0000-208		1	1E	RF
162T0000-209		1	1F	RF
162T0000-210		1	1G	RF
162T0000-211		1	1H	RF
162T0000-212		1	1J	RF
162T0000-213		1	1K	RF
162T0000-214		1	1L	RF
162T0000-215		1	1M	RF
162T0000-216		1	1N	RF
162T0000-217		1	1P	RF
162T0000-218		1	1Q	RF
162T0000-219		1	1R	RF
162T0000-220		1	1S	RF
162T0000-221		1	1T	RF
162T0000-222		1	1U	RF
162T0000-223		1	1V	
162T0000-224		1	1W	RF
162T0000-225		1	1X	RF
162T0000-226		1	1Y	RF

32-21-21

 ILLUSTRATED PARTS LIST
 01.1 Page 1040H
 Nov 01/05


BOEING
 COMPONENT
 MAINTENANCE MANUAL

PART NUMBER	AIRLINE PART NO.	FIG.	ITEM	TTL REQ
162T0000-227		1	1Z	RF
162T0000-228		1	2	RF
162T0000-229		1	2A	RF
162T0000-230		1	2B	RF
162T0000-231		1	2C	RF
162T0000-232		1	2D	RF
162T0000-233		1	2E	RF
162T0000-234		1	2F	RF
162T0000-235		1	2G	RF
162T0000-236		1	2H	RF
162T0000-237		1	2J	RF
162T0000-238		1	2K	RF
162T0000-239		1	2L	RF
162T0000-240		1	2M	RF
162T0000-241		1	2N	RF
162T0000-242		1	2P	RF
162T0000-243		1	2Q	RF
162T0000-244		1	2R	RF
162T0000-245		1	2S	RF
162T0000-246		1	2T	RF
162T0000-247		1	2U	RF
162T0000-248		1	2V	RF
162T0000-249		1	2W	
162T0000-250		1	2X	RF
162T0000-251		1	2Y	RF
162T0000-252		1	2Z	
162T0000-253		1	3	
162T0000-254		1	3A	
162T0000-255		1	3B	RF
162T0000-256		1	3C	RF
162T0000-257		1	3D	
162T0000-258		1	3E	
162T0000-259		1	3F	
162T0000-260		1	3G	
162T0000-261		1	3H	
162T0000-262		1	3J	RF
162T0000-263		1	3K	RF
162T0000-264		1	3L	RF
162T0000-265		1	3M	RF
162T0000-266		1	3N	RF
162T0000-267		1	3P	RF
162T0000-268		1	3Q	RF
162T0000-269		1	3R	RF
162T0000-270		1	3S	RF
162T0000-271		1	3T	
162T0000-272		1	3U	RF
162T0000-274		1	3V	RF

32-21-21

ILLUSTRATED PARTS LIST

01.1 Page 1040I

Nov 01/05

PART NUMBER	AIRLINE PART NO.	FIG.	ITEM	TTL REQ
162T0000-275		1	3W	RF
162T0000-276		1	3X	
162T0000-277		1	3Y	RF
162T0000-279		1	3Z	RF
162T0000-280		1	4	RF
162T0000-281		1	4A	RF
162T0000-282		1	4B	RF
162T0000-283		1	4C	RF
162T0000-284		1	4D	
162T0000-285		1	4E	
162T0000-286		1	4F	
162T0000-287		1	4G	RF
162T0000-288		1	4H	
162T0000-289		1	4J	
162T0000-290		1	4K	RF
162T0000-291		1	4L	RF
162T0000-292		1	4M	
162T0000-293		1	4N	
		1	7B	
162T0000-294		1	4P	
		1	7C	RF
162T0000-295		1	4Q	
162T0000-296		1	4R	
162T0000-297		1	4S	
162T0000-298		1	4T	
162T0000-299		1	4U	
162T0000-300		1	4V	RF
		1	380	
162T0000-301		1	4W	
		1	380A	
162T0000-302		1	384	1
		1	380B	
162T0000-303		1	505	1
162T0000-304		1	505A	1
162T0000-306		1	4X	RF
162T0000-307		1	5A	RF
162T0000-308		1	6W	RF
162T0000-309		1	6X	RF
162T0000-310		1	6Y	RF
162T0000-311		1	5B	RF
162T0000-312		1	5C	RF
162T0000-313		1	5D	RF
162T0000-314		1	5E	RF
162T0000-315		1	5F	RF
162T0000-316		1	5G	RF
162T0000-317		1	5H	RF
162T0000-318		1	5J	RF

32-21-21

 ILLUSTRATED PARTS LIST
 01.1 Page 1040J
 Nov 01/05


BOEING
 COMPONENT
 MAINTENANCE MANUAL

PART NUMBER	AIRLINE PART NO.	FIG.	ITEM	TTL REQ
162T0000-319		1	5K	RF
162T0000-320		1	5L	RF
162T0000-321		1	5M	RF
162T0000-322		1	5N	
162T0000-323		1	5P	
162T0000-324		1	5Q	
162T0000-325		1	5R	
162T0000-326		1	5S	
162T0000-327		1	5T	
162T0000-328		1	5U	
162T0000-329		1	5V	
162T0000-330		1	5W	
162T0000-331		1	5X	
162T0000-332		1	5Y	
162T0000-333		1	5Z	RF
162T0000-334		1	6	RF
162T0000-335		1	6A	
162T0000-336		1	6B	
162T0000-337		1	6C	RF
162T0000-338		1	6D	
162T0000-339		1	6E	
162T0000-340		1	6F	RF
162T0000-341		1	6G	RF
162T0000-342		1	6H	
162T0000-343		1	6J	
162T0000-344		1	6K	RF
162T0000-345		1	6L	RF
162T0000-346		1	6M	RF
162T0000-347		1	6N	RF
162T0000-348		1	6P	RF
162T0000-349		1	6Q	RF
162T0000-350		1	6R	RF
162T0000-351		1	6S	RF
162T0000-352		1	6T	RF
162T0000-353		1	6U	
162T0000-354		1	6V	RF
162T0000-355		1	6Z	RF
162T0000-357		1	7	RF
162T0000-358		1	7A	RF
162T0000-369		1	7D	RF
162T0000-376		1	7E	RF
162T0000-377		1	7F	RF
162T0000-378		1	7S	RF
162T0000-379		1	7G	RF

32-21-21

 ILLUSTRATED PARTS LIST
 01.1 Page 1040K
 Nov 01/05

PART NUMBER	AIRLINE PART NO.	FIG.	ITEM	TTL REQ
162T0000-401		1	130	2
		1	485	2
		1	130H	
162T0000-402		8	10H	1
		1	130B	2
		1	485D	2
162T0000-403		8	10J	1
		1	130A	2
		1	485B	
162T0000-404		8	10K	1
		1	130C	2
		8	10L	1
162T0000-405		1	130D	
		1	485A	
		1	485C	
162T0000-406		1	130G	
		1	130J	
		1	485E	2
162T0000-407		8	10P	1
		1	130E	2
		1	485F	
162T0000-408		8	10M	1
		1	130F	2
		1	485G	
162T0000-409		8	10N	1
		1	130K	2
		1	485H	2
162T0000-410		8	10Q	1
		1	465	
		1	465A	
162T0000-5011		1	470	
162T0000-5012		1	470A	
162T0000-5013		1	475	
162T0000-5014		1	475A	
162T0000-5015		1	480	
162T0000-5016		1	480A	
162T0000-5017		1	481	
162T0000-5018		1	481A	
162T0000-5021		1	482	
162T0000-5022		1	482A	
162T0000-5023		1	483	
162T0000-5024		1	483A	
162T0000-5025		1	484	
162T0000-5026		1	484A	
162T0000-5027		1	484B	
162T0000-5028		1	484C	
162T0000-5029		1	484D	
162T0000-5030		1		
162T0000-5031		1		

32-21-21

 ILLUSTRATED PARTS LIST
 01.1 Page 1040L
 Nov 01/05


BOEING
 COMPONENT
 MAINTENANCE MANUAL

PART NUMBER	AIRLINE PART NO.	FIG.	ITEM	TTL REQ
162T0000-5032		1	484E	
162T0000-5035		1	690B	1
162T0000-5036		1	726B	1
162T0000-5037		1	690	1
162T0000-5038		1	726	1
162T0000-5039		1	690A	1
162T0000-5040		1	726A	1
162T0000-5041		1	484F	
162T0000-5042		1	484G	
162T0000-5055		1	483B	
162T0000-5056		1	483C	
162T0000-5057		1	483D	1
162T0000-5058		1	483E	1
162T0000-5059		1	483F	1
162T0000-5060		1	483G	1
162T0000-5061		1	483H	
162T0000-5062		1	483J	
162T0000-5063		1	483K	
162T0000-5064		1	483L	
162T0000-5065		1	483M	
162T0000-5066		1	483N	
162T0000-5067		1	483P	1
162T0000-5068		1	483Q	1
162T0000-5069		1	483R	1
162T0000-5070		1	483S	1
162T0000-5071		1	483T	1
162T0000-5072		1	483U	1
162T0000-5073		1	483V	
162T0000-5074		1	483W	
162T0000-5075		1	483X	
162T0000-5076		1	483Y	
162T0000-5077		1	483Z	1
162T0000-5078		1	484H	1
162T0000-5079		1	484J	
162T0000-5080		1	484K	
162T0000-5081		1	484L	
162T0000-5082		1	484M	
162T0000-5083		1	484N	1
162T0000-5084		1	484P	1
162T0000-5102		1	815	1
162T0000-5114		1	805	1
162T0000-5121		1	815A	1
162T0000-5122		1	815B	1
162T1000-1		1	7J	RF
162T1000-2		1	7K	RF
		1	225A	
162T1000-3		1	7L	RF

32-21-21

 ILLUSTRATED PARTS LIST
 01.1 Page 1040M
 Nov 01/05

PART NUMBER	AIRLINE PART NO.	FIG.	ITEM	TTL REQ
162T1000-4		1	7M	RF
162T1000-5		1	7N	RF
		1	225B	
162T1000-6		1	225C	
		1	505B	1
162T1000-7		1	7P	RF
162T1000-8		1	7Q	RF
162T1000-9		1	7R	RF
162T1100-10		1	225H	1
		1	232P	1
		1	232Q	1
162T1100-11		1	225J	
162T1100-12		1	225M	1
		1	232L	1
		1	232U	1
162T1100-13		1	225N	1
		1	232D	1
		1	232Z	1
162T1100-15		1	225X	
162T1100-16		1	225R	
162T1100-17		1	225S	1
		1	233A	1
		1	233J	1
162T1100-19		1	225Y	1
		1	232Y	1
		1	233B	1
162T1100-20		1	225Z	1
		1	233H	1
162T1100-21		1	226	1
		1	233K	1
		1	233S	1
162T1100-23		1	226G	
162T1100-27		1	226H	
162T1100-29		1	226J	1
		1	232K	1
		1	232W	1
		1	233L	1
162T1100-30		1	226K	
		1	227U	1
		1	232H	1
		1	232S	1
		1	233D	1
		1	233M	1

32-21-21

 ILLUSTRATED PARTS LIST
 01.1 Page 1040N
 Nov 01/05


BOEING
 COMPONENT
 MAINTENANCE MANUAL

PART NUMBER	AIRLINE PART NO.	FIG.	ITEM	TTL REQ
162T1100-32		1	226S	1
		1	232J	1
		1	232T	1
		1	233E	1
		1	233N	1
162T1100-33		1	226T	1
		1	232G	1
		1	232R	1
		1	233C	1
		1	233P	1
162T1100-34		1	226U	
162T1100-35		1	227M	1
		1	233G	1
162T1100-36		1	233R	1
		1	233	1
		1	227N	1
162T1100-37		1	233T	1
		1	227P	1
		1	233F	1
162T1100-5		1	233Q	1
		1	225	
162T1100-6		1	232	1
		1	225D	1
		1	232A	1
162T1100-7		1	225E	1
		1	232B	1
		1	232C	1
162T1100-8		1	225F	1
		1	232E	1
		1	232F	1
162T1100-9		1	225G	1
		1	232M	1
		1	232N	1
162T1136-001		1	225K	1
		1	227X	1
		1	227Y	1
		1	227Z	1
162T1136-002		1	228	1
		1	225L	1
		1	228A	1
		1	232V	1
162T1136-003		1	225P	1
		1	228C	1
		1	228D	1
162T1136-004		1	225Q	1
		1	228Q	1
		1	228U	1

32-21-21

ILLUSTRATED PARTS LIST

01.1 Page 10400

Nov 01/05

PART NUMBER	AIRLINE PART NO.	FIG.	ITEM	TTL REQ
162T1136-005		1	225U	1
		1	228V	1
		1	228W	1
162T1136-006		1	225T	1
		1	229A	1
		1	231Y	1
162T1136-007		1	225V	1
		1	229E	1
		1	229F	1
162T1136-008		1	225W	1
		1	228B	1
		1	229H	1
162T1136-009		1	229J	1
		1	226A	1
		1	229S	1
162T1136-010		1	229T	1
		1	229	1
		1	226B	1
162T1136-011		1	229Z	1
		1	230A	1
		1	230B	1
162T1136-012		1	226C	1
		1	230E	1
		1	230F	1
162T1136-013		1	226D	1
		1	229B	1
		1	229G	1
162T1136-014		1	229W	1
		1	230J	1
		1	230U	1
162T1136-017		1	230V	1
		1	226E	1
		1	228F	1
162T1136-014		1	229K	1
		1	230Q	1
		1	230X	1
162T1136-014		1	226F	1
		1	228E	1
		1	229M	1
162T1136-017		1	230P	1
		1	230Z	1
		1	226L	1
162T1136-017		1	228P	1
		1	229D	1
		1	229Y	1
162T1136-017		1	231A	1
		1	231B	1

32-21-21

 ILLUSTRATED PARTS LIST
 01.1 Page 1040P
 Nov 01/05


BOEING
 COMPONENT
 MAINTENANCE MANUAL

PART NUMBER	AIRLINE PART NO.	FIG.	ITEM	TTL REQ
162T1136-018		1	226M	1
		1	228J	1
		1	229R	1
		1	230W	1
162T1136-019		1	226N	1
		1	228H	1
		1	229Q	1
		1	230T	1
162T1136-020		1	231E	1
		1	226P	1
		1	228N	1
		1	229X	1
162T1136-021		1	230Y	1
		1	231G	1
		1	226Q	1
		1	228S	1
162T1136-022		1	229L	1
		1	230N	1
		1	231H	1
		1	231J	1
162T1136-023		1	226R	1
		1	228T	1
		1	229P	1
		1	230S	1
162T1136-024		1	231L	1
		1	226V	
		1	226W	
		1	226X	
162T1136-025		1	226Y	
		1	226Z	
		1	227	
		1	227A	
162T1136-026		1	227B	1
		1	228M	1
		1	229V	1
		1	230H	1
162T1136-027		1	231P	1
		1	227C	
		1	227D	
		1	227E	1
162T1136-028		1	227F	
		1	227G	1
		1	228G	1
		1	229N	1
162T1136-029		1	230R	1
		1	231K	1
		1	231Q	1
		1	231Q	1
162T1136-030		1	231Q	1
		1	231Q	1
		1	231Q	1
		1	231Q	1
162T1136-031		1	231Q	1
		1	231Q	1
		1	231Q	1
		1	231Q	1
162T1136-032		1	231Q	1
		1	231Q	1
		1	231Q	1
		1	231Q	1
162T1136-033		1	231Q	1
		1	231Q	1
		1	231Q	1
		1	231Q	1
162T1136-034		1	231Q	1
		1	231Q	1
		1	231Q	1
		1	231Q	1
162T1136-035		1	231Q	1
		1	231Q	1
		1	231Q	1
		1	231Q	1

32-21-21

ILLUSTRATED PARTS LIST

01.1 Page 1040Q

Nov 01/05

PART NUMBER	AIRLINE PART NO.	FIG.	ITEM	TTL REQ
162T1136-037		1	227H	
162T1136-038		1	227J	1
		1	227V	1
		1	228L	1
		1	228R	1
		1	229U	1
		1	230D	1
		1	231F	1
		1	231T	1
		1	231U	1
162T1136-039		1	227K	
162T1136-040		1	227L	1
162T1136-041		1	227T	1
		1	228Z	1
		1	230L	1
		1	231D	1
		1	231N	1
		1	231S	1
162T1136-042		1	227S	1
		1	230M	1
		1	231W	1
162T1136-043		1	227Q	1
		1	231V	1
162T1136-044		1	227R	1
		1	228Y	1
		1	230K	1
		1	231C	1
		1	231M	1
		1	231Z	1
162T1136-06		1	229C	
162T1136-072		1	810	1
162T1136-073		1	820A	1
162T1136-075		1	231	1
		1	820	1
		1	227W	1
		1	228K	1
		1	230C	1
		1	231R	1
		1	231X	1
162T1136-080		1	810A	1
162T1136-081		1	810B	1
162T1300-1		1	175	2
		1	175B	2
162T1301-1		1	155	1
		1	160	2
162T1301-2		1	180	1
		1	180B	1

32-21-21

 ILLUSTRATED PARTS LIST
 01.1 Page 1040R
 Nov 01/05


BOEING
 COMPONENT
 MAINTENANCE MANUAL

PART NUMBER	AIRLINE PART NO.	FIG.	ITEM	TTL REQ
162T1303-1		1	185	1
		1	190	2
162T1304-1		1	95	4
		1	100	2
162T1312-1		1	395	
162T1415-1		1	315	1
162T1602-1		1	120	2
162T1603-1		1	125	2
162T1612-1		1	717	1
		1	395A	
		4	365	
		4	368	1
		4	940	1
162T1612-2		1	705	1
		1	395B	1
		4	915	1
		4	365A	1
162T1612-3		1	720	1
		4	367	1
		4	935	1
162T1613-2		1	375	1
		1	702	1
		1	734	1
		1	384S	1
162T1613-3		1	360	1
		1	693	1
162T1614-2		1	370	1
		1	699	1
162T1618-1		1	362	1
		1	729	1
162T1618-3		1	380D	1
		1	749A	1
162T1618-5		1	383R	1
162T1619-1		1	761	1
		1	383M	1
		1	384T	1
162T1619-2		1	383	1
		1	758	1
162T1619-3		1	422	1
		1	773	1
		4	287	1
162T1620-1		1	382	1
		1	755	1
162T1621-1		1	127	2
162T1622-1		1	122	2
162T2015-9		1	270	2

32-21-21

 ILLUSTRATED PARTS LIST
 01.1 Page 1040S
 Nov 01/05

PART NUMBER	AIRLINE PART NO.	FIG.	ITEM	TTL REQ
162T3010-1		5	220	1
		5	255	1
		6	375	
		6	410	
162T4014-1		1	230	
		1	250A	1
162T4014-2		1	235	
		1	251	1
162T4014-3		1	250	
		1	254	1
162T4014-4		1	255	1
162T4019-1		1	260	2
162T4019-2		1	295	1
162T5013-5		1	305	4
162T5013-6		1	310	4
163U6009-3		8	110	1
163U6010-2		8	105	1
166T0000-1		1	128	1
		1	484V	1
		8	1	RF
166T0000-5001		8	5	2
166T0000-5002		8	5A	2
166T0000-5003		8	5B	2
166T0000-5004		8	5C	2
166T0000-5005		8	5D	2
166T0000-5006		8	5E	2
166T0000-5007		8	5F	2
166T0000-5008		8	5G	2
166T0000-5009		8	5H	2
166T0000-5010		8	5J	2
166T0000-5011		8	5K	2
166T0000-5012		8	5L	2
166T0000-5013		8	5M	2
166T0000-5014		8	5N	2
166T0000-5015		8	5P	2
166T0000-5016		8	5Q	2
166T0000-5017		8	5R	2
166T0000-5018		8	5S	2
166T0000-5019		8	5T	2
166T0000-5020		8	5U	2
166T0000-5021		8	5V	2
166T0000-5022		8	5W	2
166T0000-5023		8	5X	2
166T0000-5024		8	5Y	2
166T0000-5025		8	5Z	2
166T0000-5026		8	6	2
166T0000-5027		8	6A	2

32-21-21

 ILLUSTRATED PARTS LIST
 01.1 Page 1040T
 Nov 01/05


BOEING
 COMPONENT
 MAINTENANCE MANUAL

PART NUMBER	AIRLINE PART NO.	FIG.	ITEM	TTL REQ
166T0000-5028		8	6B	2
166T0000-5029		8	6C	2
166T0000-5030		8	6D	2
166T0000-5031		8	6E	2
166T0000-5032		8	6F	2
166T0000-5033		8	6G	2
166T0000-5034		8	6H	2
166T0000-5035		8	6J	2
166T0000-5036		8	6K	2
166T0000-5037		8	6L	2
166T0000-5038		8	6M	2
166T0000-5039		8	6N	2
166T0000-5040		8	6P	2
166T0000-5041		8	6Q	2
166T0000-5042		8	6R	2
166T0100-1		8	10	1
166T0100-10		8	10S	1
166T0100-11		8	10T	1
166T0100-12		8	10V	1
166T0100-13		8	10U	1
166T0100-15		8	10W	1
166T0100-18		8	10Y	1
166T0100-19		8	10Z	1
166T0100-2		8	10A	1
166T0100-20		8	11	1
166T0100-21		8	11A	1
166T0100-22		8	11B	1
166T0100-23		8	11C	1
166T0100-24		8	11D	1
166T0100-3		8	10B	1
166T0100-4		8	10C	1
166T0100-5		8	10D	1
166T0100-6		8	10E	1
166T0100-7		8	10F	1
		8	10X	1
166T0100-8		8	10G	1
166T0100-9		8	10R	1
166T0101-1		8	60	1
166T0101-102		8	85A	1
166T0200-1		8	85	
166T0200-3		8	102	1
166T0201-1		8	130	1
166T0201-2		8	140	1
166T0201-4		8	135	1
166T0202-1		8	103	1
166T0203-1		8	127	2

32-21-21

 ILLUSTRATED PARTS LIST
 01.1 Page 1040U
 Nov 01/05

PART NUMBER	AIRLINE PART NO.	FIG.	ITEM	TTL REQ
1728B		1	240	
		1	252	1
		1	285	1
1744B		1	165	2
		1	165A	2
1744B1		1	165B	2
		1	165C	2
		4	790A	1
186028FS60K3 2LPYE6-14		3	485	2
		7	485	
251T2050-101		3	50	1
		7	50	
251T2050-103		3	50A	1
		7	50A	
251T2050-112 251T2050-33		3	50B	1
		3	35	1
251T2050-34		3	35C	1
		7	35	
		3	35A	1
251T2050-83		7	35A	
		3	35B	1
257T4000-2		3	35D	1
		1	335	1
		1	335B	
257T4000-5003		1	335F	
		3	1	
		1	336	1
257T4000-5004		3	5	RF
		1	336A	1
257T4000-5015		3	5A	RF
		1	336B	1
257T4000-5021		3	5B	RF
		1	336C	1
257T4000-5022		3	5E	RF
		1	336D	1
257T4000-5023		3	5F	RF
		1	336E	1
257T4000-5024		3	5G	RF
		1	336F	1
257T4000-5025		3	5H	RF
		1	336G	1
257T4000-5026		3	5J	RF
		1	336H	1
257T4000-5035		3	5K	RF
		1	336J	1
		3	5L	RF

32-21-21

 ILLUSTRATED PARTS LIST
 01.1 Page 1040V
 Nov 01/05


BOEING
 COMPONENT
 MAINTENANCE MANUAL

PART NUMBER	AIRLINE PART NO.	FIG.	ITEM	TTL REQ
257T4000-5036		1	336K	1
		3	5M	RF
257T4000-5037		1	336L	1
		3	5N	RF
257T4000-5048		1	336M	1
		3	5P	RF
257T4000-5049		1	336N	1
		3	5Q	RF
257T4000-5050		1	336P	1
		3	5R	RF
257T4000-8		1	335C	
		1	335D	
		3	5C	
		7	1	
257T4000-9		1	335A	
		1	335E	
		1	335G	
		3	5D	
		7	1A	
257T4300-1		3	360	1
		7	360	
257T4300-2		3	361	1
257T4300-3		3	361A	1
257T4300-5001		3	362	1
		7	362	
257T4300-5002		3	362A	1
		7	362A	
257T4300-5003		3	362B	1
		7	362B	
257T4300-5004		3	362C	1
		7	362C	
257T4300-5005		3	362D	1
		7	362D	
257T4300-5006		3	362E	1
257T4300-5007		3	362F	1
257T4318-10		3	390F	1
257T4318-11		3	390G	1
257T4318-4		3	390	1
		7	390	
257T4318-5		3	390A	1
		7	390A	
257T4318-6		3	390B	1
		7	390B	
257T4318-7		3	390C	1
		7	390C	
257T4318-8		3	390D	1
		7	390D	

32-21-21

 ILLUSTRATED PARTS LIST
 01.1 Page 1040W
 Nov 01/05

PART NUMBER	AIRLINE PART NO.	FIG.	ITEM	TTL REQ
257T4318-9		3	390E	1
257T4335-1		3	365	1
		7	365	
257T4335-2		3	380	1
		7	380	
257T4400-1		3	415	1
		7	415	
257T4400-10		3	415H	
257T4400-2		3	415A	1
257T4400-3		3	415B	1
257T4400-4		3	415C	1
257T4400-5		3	415D	1
257T4400-6		3	415E	1
257T4400-8		3	415F	1
257T4400-9		3	415G	1
257T4401-1		3	475	2
		7	475	
257T4401-2		3	500	1
		7	500	
257T4402-4		3	820	1
		7	820	
257T4402-5		3	840	1
		7	840	
257T4402-6		3	820A	1
257T4402-7		3	840A	1
257T4403-1		3	800	1
		7	800	
257T4403-2		3	810	1
		7	810	
257T4403-3		3	845	1
		7	845	
257T4404-10		3	420F	1
257T4404-2		3	435	1
		7	435	
257T4404-3		3	420	1
		7	420	
257T4404-4		3	420A	1
257T4404-5		3	420B	1
257T4404-6		3	420C	1
257T4404-7		3	437	1
		3	435A	1
257T4404-8		3	420D	1
		3	435B	1
257T4404-9		3	420E	1
257T4405-1		3	630	1
		7	630	

32-21-21

 ILLUSTRATED PARTS LIST
 01.1 Page 1040X
 Nov 01/05


BOEING
 COMPONENT
 MAINTENANCE MANUAL

PART NUMBER	AIRLINE PART NO.	FIG.	ITEM	TTL REQ
257T4405-10		3	780	1
		7	780	
257T4405-11		3	675	1
		7	675	
257T4405-12		3	785	1
		7	785	
257T4405-14		3	900	1
		7	900	
257T4405-15		3	775	1
		7	775	
257T4405-16		3	745	1
		7	745	
257T4405-17		3	905	1
		7	905	
257T4405-18		3	850	1
		7	850	
257T4405-2		3	730	1
		7	730	
257T4405-4		3	875	2
		7	875	
257T4405-5		3	890	1
		7	890	
257T4405-6		3	885	1
		7	885	
257T4405-7		3	755	1
		7	755	
257T4405-8		3	670	1
		7	670	
257T4405-9		3	895	1
		7	895	
257T4406-1		3	55	1
257T4406-2		3	55A	1
		7	55	
257T4407-10		3	290	1
		7	290	
257T4407-11		3	120	1
		7	120	
257T4407-12		3	270	
		7	270	
257T4407-13		3	100	1
		7	100	
257T4407-14		3	250	1
		7	250	
257T4407-15		3	85	
		3	235	
257T4407-17		3	60	
257T4407-18		3	210	

32-21-21

 ILLUSTRATED PARTS LIST
 01.1 Page 1040Y
 Nov 01/05

PART NUMBER	AIRLINE PART NO.	FIG.	ITEM	TTL REQ
257T4407-19		3	200	
257T4407-20		3	350	
257T4407-21		3	60A	1
257T4407-22		3	210A	1
257T4407-23		3	200A	1
257T4407-24		3	350A	1
257T4407-25		3	85A	1
		3	235A	1
		7	85A	
		7	235A	
257T4407-27		3	198	
		3	199S	1
		7	198	
257T4407-28		3	348	
		3	349S	1
		7	348	
257T4407-29		3	199	1
		7	199	
257T4407-3		3	105	1
		7	105	
257T4407-30		3	349	1
		7	349	
257T4407-31		3	60B	1
		7	60A	
257T4407-32		3	210B	1
		7	210A	
257T4407-33		3	200B	1
		7	200A	
257T4407-34		3	350B	1
		7	350A	
257T4407-37		3	199A	
		3	199U	1
257T4407-38		3	349A	
		3	349U	1
257T4407-39		3	205A	1
257T4407-4		3	255	1
		7	255	
257T4407-40		3	355A	1
257T4407-41		3	199B	1
257T4407-42		3	349B	1
257T4407-5		3	205	
		7	205	
257T4407-54		3	349P	1
257T4407-55		3	199P	1
257T4407-6		3	355	
		7	355	

32-21-21

 ILLUSTRATED PARTS LIST
 01.1 Page 1040Z
 Nov 01/05


BOEING
 COMPONENT
 MAINTENANCE MANUAL

PART NUMBER	AIRLINE PART NO.	FIG.	ITEM	TTL REQ
257T4407-9		3	140	1
		7	140	
257T4408-1		3	165	1
		3	315	1
		7	165	
		7	315	
257T4409-1		3	429	1
257T4409-4		3	429A	1
2602101		1	146	1
		1	497	1
		8	45	1
2604535		1	144A	1
		1	494A	1
		8	35A	1
2606735-1		1	140	1
		1	490	1
		8	15	1
2606735-2		1	140B	1
		1	490B	1
		8	15B	1
2610268		8	12	4
270T0005-207		2	40	2
272T6200-1		1	300	1
		2	1	RF
272T6200-4		2	15	1
272T6200-5		2	20	1
272T6200-5001		2	2	1
272T6200-5002		2	2A	1
272T6200-5003		2	2B	1
272T6200-5004		2	2C	1
272T6200-5005		2	2D	1
272T6200-5006		2	2E	1
272T6200-5007		2	2F	1
272T6200-5008		2	2G	1
272T6200-5009		2	2H	1
272T6200-5010		2	2J	1
272T6200-5011		2	2K	1
272T6200-6		2	15A	1
272T6200-7		2	20A	1
272T6211-1		2	110	1
272T6211-2		2	110A	1
272T6213-3		2	120	1
272T6214-1		2	90	1
272T6215-1		2	75	1
272T6215-2		2	115	1
272T6215-3		2	95	1
275T6210-1		2	125	1

32-21-21

ILLUSTRATED PARTS LIST

01.1

Page 1041

Nov 01/05

PART NUMBER	AIRLINE PART NO.	FIG.	ITEM	TTL REQ
275T6210-10		2	150D	1
275T6210-3		2	150	
275T6210-4		2	150A	1
275T6210-5		2	125A	1
275T6210-6		2	150B	1
275T6210-7		2	125B	1
275T6210-8		2	150C	1
275T6210-9		2	125C	1
275T6220-1		2	200	1
275T6220-2		2	200A	1
275T6220-3		2	200B	1
275T6220-4		2	200C	1
275T6220-5		2	200D	1
275T6220-6		2	200E	1
275T6221-1		2	215A	2
275T6221-2		2	215	2
		2	215E	2
275T6221-3		2	215B	2
		2	215C	2
		2	215D	2
284T0212-1		5	335	1
		6	490	
284T0212-2		5	390	1
		6	545	
284T0212-3		5	370	1
		6	525	
284T0212-4		5	425	1
		6	580	
284T0235-1		5	5	1
284T0235-2		5	150	1
284T0235-4		5	150A	1
		9	130	1
284T0235-5		5	5A	1
		9	1	RF
284T0235-5001		5	7	1
284T0235-5002		5	7A	1
284T0235-5005		5	7B	1
284T0235-5006		5	7C	1
284T0235-6		9	35	1
284T0235-7		5	150B	1
284T0236-1		5	180	1
284T0236-2		5	175	1
		9	155	1
284T0236-3		5	180A	1
		9	160	1

32-21-21

 ILLUSTRATED PARTS LIST
 01.1 Page 1042
 Nov 01/05


BOEING
 COMPONENT
 MAINTENANCE MANUAL

PART NUMBER	AIRLINE PART NO.	FIG.	ITEM	TTL REQ
284T0237-1		5	185	1
		5	189	1
		9	180	1
284T0237-2		5	186	1
		9	165	1
284T0268-1		5	195	1
		6	350	
284T0268-2		5	230	1
		6	385	
284T0268-3		5	265	1
		6	420	
284T0268-4		5	295	1
		6	450	
284T0268-5001		5	197	1
		6	352	
284T0268-5002		5	232	1
		6	387	
284T0268-5003		5	197A	1
		6	352A	
284T0268-5004		5	232A	1
		6	387A	
284T0268-5005		5	268	1
284T0268-5006		5	298	1
284T0268-5007		5	268A	1
284T0268-5008		5	298A	1
284T0278-5		5	285	2
		5	315	2
		6	440	
		6	470	
284T0588-3		5	325	1
		6	480	
284T0588-4		5	380	1
		6	535	
284T0588-5		5	375	AR
		5	430	AR
		6	530	
		6	585	
284T0588-8		5	440	1
284T0588-9		5	440A	1
284T0798-1		5	445	1
284T0798-2		5	445A	1
284T0870-1		5	224	1
		5	259	1
		6	379	
		6	414	
284T0890-1		5	292P	
284T0890-2		5	322P	

32-21-21

 ILLUSTRATED PARTS LIST
 01.1 Page 1042A
 Nov 01/05

PART NUMBER	AIRLINE PART NO.	FIG.	ITEM	TTL REQ
284T0890-5		5	292Q	1
284T0890-6		5	322Q	1
284T0891-1		5	293	
284T0891-10		5	324F	1
284T0891-2		5	323	
284T0891-3		5	294E	
284T0891-4		5	324E	
284T0891-5		5	294J	1
		5	324J	1
284T0891-7		5	293A	1
284T0891-8		5	323A	1
284T0891-9		5	294F	1
284T0904-1		5	435	1
		6	5	RF
284T0905-1		6	85	
284T0906-1		6	40	1
284T0906-2		6	55	1
284T0906-3		6	75	1
284T0906-4		6	80	1
284T0906-5		6	30	1
284T0906-6		6	35	1
284T0917-1		6	140	
284T0917-2		6	240	
284T0917-3		6	320	
284T0917-4		6	325	
284T0917-5		6	275	
284T0917-6		6	305	
284T0917-7		6	270	
284T0917-8		6	235	
284T0917-9		6	155	
284T1194		6	330	
284T6200-2		1	340	1
		5	1	RF
284T6200-4		1	345	
		6	1	
284T6200-5001		5	3	1
284T6200-5002		5	3A	1
284T6200-5005		5	3B	1
284T6200-5006		5	3C	1
284T6200-5007		5	3D	1
284T6200-5008		5	3E	1
284T6200-5009		5	3F	1
284T6200-5010		5	3G	1
286T1194		6	330A	
287T0000-7		1	350	1
		4	1	RF
287T6201-1		4	5B	1

32-21-21

 ILLUSTRATED PARTS LIST
 01.1 Page 1042B
 Nov 01/05


BOEING
 COMPONENT
 MAINTENANCE MANUAL

PART NUMBER	AIRLINE PART NO.	FIG.	ITEM	TTL REQ
287T6201-10		4	5G	1
287T6201-11		4	5H	1
287T6201-12		4	5J	1
287T6201-13		4	5K	1
287T6201-16		4	5L	1
287T6201-17		4	5M	1
287T6201-18		4	5N	1
287T6201-19		4	5P	1
287T6201-20		4	5Q	1
287T6201-21		4	5R	1
287T6201-22		4	5S	1
287T6201-23		4	5T	1
287T6201-24		4	5U	1
287T6201-25		4	5V	1
287T6201-26		4	5W	1
287T6201-27		4	5X	1
287T6201-28		4	5Y	1
287T6201-29		4	5Z	1
287T6201-3		4	5C	1
287T6201-30		4	6	1
287T6201-31		4	6A	1
287T6201-4		4	5A	1
287T6201-5		4	5	1
287T6201-6		4	910	1
287T6201-7		4	5D	1
287T6201-8		4	5E	1
287T6201-9		4	5F	1
287T6202-13		4	260	1
287T6202-14		4	230	1
287T6202-16		4	615	
287T6202-17		4	275	1
287T6202-2		1	455	1
		4	385	1
		4	630	1
287T6202-20		4	345	1
287T6202-21		4	350	
287T6202-22		4	215	1
		4	870	1
287T6202-23		4	225	1
		4	880	1
287T6202-24		4	220	1
		4	875	1
287T6202-25		4	190	2
		4	845	2
287T6202-27		1	440	1
		4	370	

32-21-21

 ILLUSTRATED PARTS LIST
 01.1 Page 1042C
 Nov 01/05

PART NUMBER	AIRLINE PART NO.	FIG.	ITEM	TTL REQ
287T6202-28		1	670	1
		4	595	1
287T6202-29		1	685	1
		4	610	1
287T6202-3		4	645	2
287T6202-30		1	570	1
		4	460	1
287T6202-31		1	595	1
		4	485	1
287T6202-32		4	495	1
287T6202-33		4	515	1
287T6202-34		1	615	1
		4	550	1
287T6202-35		1	635	1
		1	665	1
		4	545	1
		4	570	1
287T6202-36		1	610	1
		4	580	1
287T6202-37		4	455	1
287T6202-38		4	450	1
287T6202-39		1	555	1
		4	435	1
		4	435A	1
287T6202-40		1	550	1
		4	415	1
287T6202-41		4	490	1
287T6202-42		1	640	1
		4	520	1
287T6202-43		1	660	1
		4	540	1
287T6202-44		4	180	1
		4	835	1
287T6202-45		4	615A	1
287T6202-46		4	370A	1
287T6202-47		4	350A	1
287T6202-5		4	680	1
287T6202-51		1	600A	1
		4	490A	1
287T6202-52		1	670A	1
		4	597	1
287T6202-53		1	685A	1
		4	612	1
287T6202-54		4	372	1
287T6202-55		4	387	1
287T6202-56		1	596	1
		4	487	1

32-21-21

 ILLUSTRATED PARTS LIST
 01.1 Page 1042D
 Nov 01/05


BOEING
 COMPONENT
 MAINTENANCE MANUAL

PART NUMBER	AIRLINE PART NO.	FIG.	ITEM	TTL REQ
287T6202-57		1	599	1
		4	489	1
287T6202-58		1	570A	1
		4	460A	1
287T6202-59		1	595A	1
		4	485A	1
287T6202-60		1	600	1
287T6202-61		1	550A	1
		4	415A	1
287T6202-62		4	347	1
287T6202-63		4	322	1
287T6202-64		4	352	1
287T6202-65		4	354	1
287T6202-66		4	486	1
287T6202-67		4	486U	
		4	486X	1
287T6202-68		4	647	2
		4	645A	2
287T6202-69		4	682	1
287T6202-7		4	185	1
		4	840	1
287T6202-73		4	983	1
287T6202-74		4	987	1
287T6202-75		4	989	1
287T6202-76		4	995	1
287T6202-77		4	991	1
287T6202-78		4	546	1
287T6202-79		4	549	1
287T6202-8		4	320	1
287T6202-80		4	970	1
287T6202-81		4	973	1
287T6202-82		4	180A	1
		4	835A	1
287T6202-83		4	490B	1
287T6202-84		4	574	1
287T6202-85		4	571	1
287T6202-86		4	490C	1
287T6202-87		4	956	
287T6202-88		4	964	1
287T6202-89		4	960	1
287T6202-90		4	958	2
287T6202-92		4	956A	1
287T6202-93		4	450A	1
287T6202-94		4	455A	1
287T6202-95		1	555A	1
		4	435B	1
		4	435C	1

32-21-21

 ILLUSTRATED PARTS LIST
 01.1 Page 1042E
 Nov 01/05

PART NUMBER	AIRLINE PART NO.	FIG.	ITEM	TTL REQ
287T6204-1		1	435	4
		4	300	4
287T6204-2		1	425	2
		4	305	2
287T6204-3		1	530	1
		4	430	1
		4	670	2
287T6204-4		1	430	2
		4	307	2
287T6205-10		4	155	1
		4	810	1
287T6205-11		4	120	1
287T6205-12		4	70	1
287T6205-13		4	115	1
287T6205-14		4	150	1
		4	805	1
287T6205-15		4	800	1
287T6205-17		4	795	1
287T6205-19		4	115A	1
287T6205-20		4	120A	1
287T6205-21		4	115B	1
287T6205-22		4	908	1
287T6205-24		4	802	1
287T6205-25		4	909	1
287T6205-30		4	800A	1
287T6205-31		4	120B	1
287T6205-32		4	120C	1
287T6205-33		4	120D	1
287T6205-34		4	908A	1
287T6205-35		4	120E	1
287T6205-36		4	120F	1
287T6205-37		4	802A	1
287T6205-38		4	908B	1
287T6205-7		4	145	1
287T6207-1		6	160	
287T6207-2		6	180	
287T6207-3		4	905	1
287T6207-4		4	900	1
3-93398		5	105	3
		9	75	3
3-93916-1		5	130	2
		9	115	2
3-93916-2		5	135	2
		9	110	2
3140AB078		4	60	1
		4	770	1
		4	775A	1

32-21-21

 ILLUSTRATED PARTS LIST
 01.1 Page 1042F
 Nov 01/05


BOEING
 COMPONENT
 MAINTENANCE MANUAL

PART NUMBER	AIRLINE PART NO.	FIG.	ITEM	TTL REQ
3140AB081		4	65	1
		4	775	1
		4	770A	1
375K22-1		1	150J	1
		1	150K	1
		1	500J	1
		1	500K	1
		8	50H	1
		8	50J	1
3790037-104		2	195	
3790037-105		2	195A	1
3790037-106		2	195B	1
3790037-107		2	195C	
		2	195E	1
3790037-108		2	195G	1
4305890040		8	160	1
4305901040		8	42	1
4305910080		8	47	1
4305990060		8	115	1
4551		5	70	1
4553		5	70A	1
48FT1216		1	85	4
		1	90	8
509S10		4	87	2
		4	113	4
509S11		4	114	2
		4	760	1
509S20		4	35	6
		4	750	6
509S24		4	35A	6
		4	750A	6
509S3		4	785	2
509S7		4	45	2
		4	85	1
		4	755A	4
509S9		4	50	6
		4	745	6
512C6		4	110	2
		4	140	3
513SS10		4	112	1
		4	142	1
534CS106		4	323	1
		4	87B	2
		4	113B	4
		4	882A	1
		4	884A	1
		4	977A	4
534CS108		4		

32-21-21

 ILLUSTRATED PARTS LIST
 01.1 Page 1042G
 Nov 01/05

PART NUMBER	AIRLINE PART NO.	FIG.	ITEM	TTL REQ
57490-078		4	60	1
		4	770	1
		4	775A	1
57490-081		4	65	1
		4	775	1
		4	770A	1
		4	790	1
6-2S8KC		4	790B	1
		4	585B	
60B00179-602		3	605B	
60B00179-603		3	585C	1
60B00179-605K		3	605C	1
60B00179-605LK		3	605C	1
60B10055-2		1	145A	1
		1	495A	1
60B10055-4		8	40A	1
		80	1A	R6
		1	145	1
		1	495	1
		8	40	1
62547-6-9		80	1	R6
		5	221B	1
		5	256B	1
65-35436-15		3	470	2
		3	615	1
		7	470	
		7	615	
		2	70	2
65B80254-229		2	65	1
		2	170	1
65B80254-300		3	320	1
		3	505	2
65B80977-1		7	170	
		7	320	
		7	505	
		3	185	1
		3	335	1
		3	520	1
		7	185	
65B80978-1		7	335	
		7	520	
		3	195	1
		3	345	1
		3	530	1
65B80978-2		7	195	
		7	345	
		7	530	
		7	195	
		7	345	

32-21-21

 ILLUSTRATED PARTS LIST
 01.1 Page 1042H
 Nov 01/05


BOEING
 COMPONENT
 MAINTENANCE MANUAL

PART NUMBER	AIRLINE PART NO.	FIG.	ITEM	TTL REQ
66014-6		5	222	1
		5	257	1
67832AS1032		5	280	2
		5	310	2
6800D02		4	255	2
69-21227-2		5	145	1
		9	120	1
69-21227-3		5	75	1
		9	40	1
69B81362-2		3	190	1
		3	340	1
		3	525	1
		7	190	
		7	340	
		7	525	
69B81787-11		3	545A	1
69B81787-12		3	610A	1
69B81787-6		3	545	1
		7	545	
69B81787-8		3	610	1
		7	610	
69B81791-2		3	535	2
		7	535	
69B81791-4		3	625	1
		7	625	
69B81979-1		3	180	2
		3	330	2
		3	515	2
		7	180	
		7	330	
		7	515	
69B82080-2		3	805	1
		3	835	1
		7	805	
		7	835	
69B96332-1		5	215	AR
		5	223	AR
		5	250	AR
		5	258	AR
		6	370	
		6	378	
		6	405	
		6	413	
69235-1216CD		1	85A	4
		1	90A	8
7355		1	457	AR
740A20-6		6	105	

32-21-21

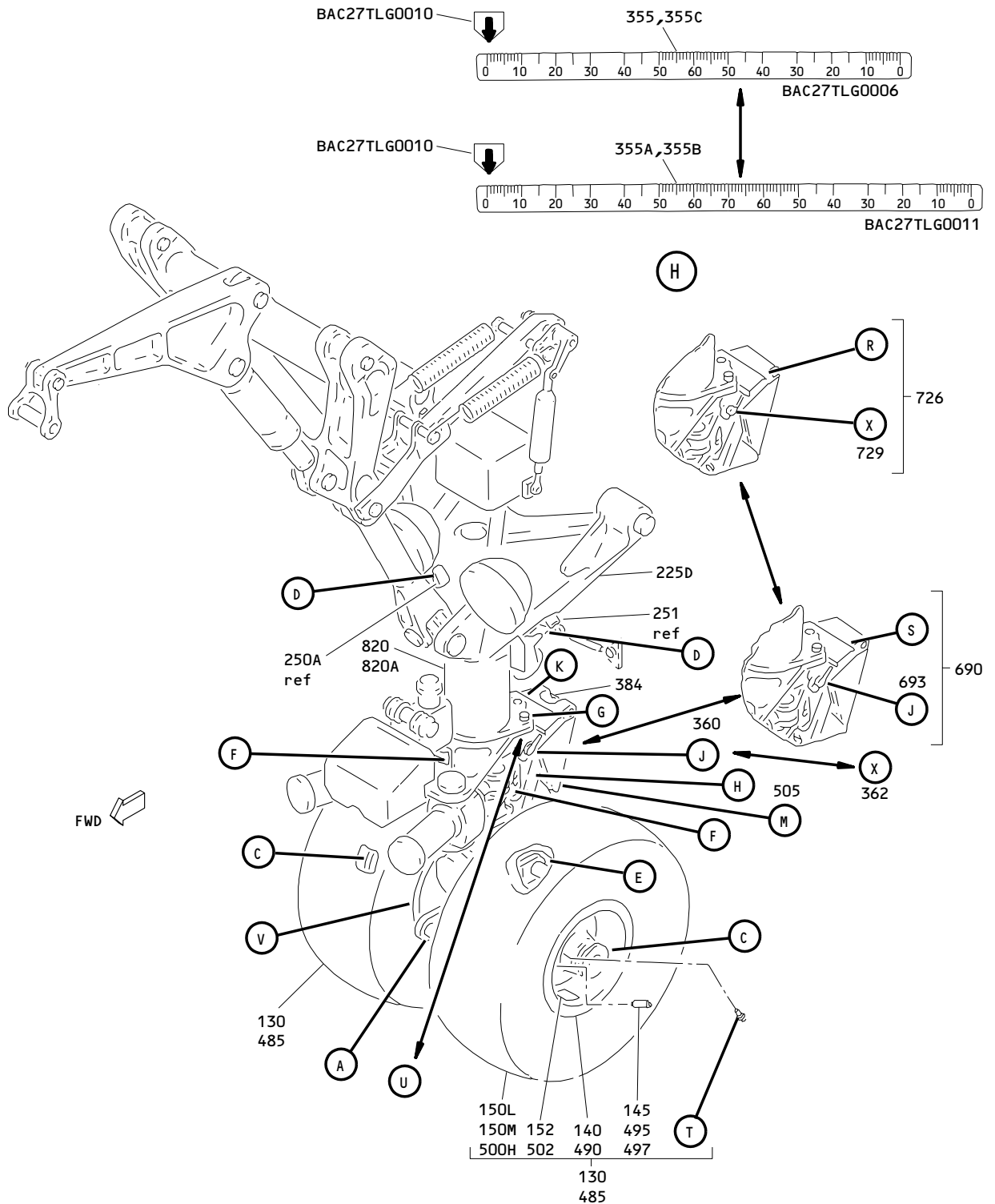
 ILLUSTRATED PARTS LIST
 01.1 Page 1042I
 Nov 01/05

PART NUMBER	AIRLINE PART NO.	FIG.	ITEM	TTL REQ
740A20-7		6	100	
82631-6012		2	205	4
9-65896-1		5	45	1
9-65896-2		5	40	1
9-65896-3		5	30	1
9-65897-2		5	125	1
		9	100	1
9-65897-3		5	115	1
		9	85	1
9-65897-4		5	140	1
		9	90	1
96-02		1	420	4
		1	450	2
		1	545	2
		1	420A	4
		2	60	2
		3	160	5
		3	310	5
		5	200	1
		5	235	1
		5	292J	2
		5	322J	2
96-40		4	330	4

32-21-21

 ILLUSTRATED PARTS LIST
 01.1 Page 1042J
 Nov 01/05

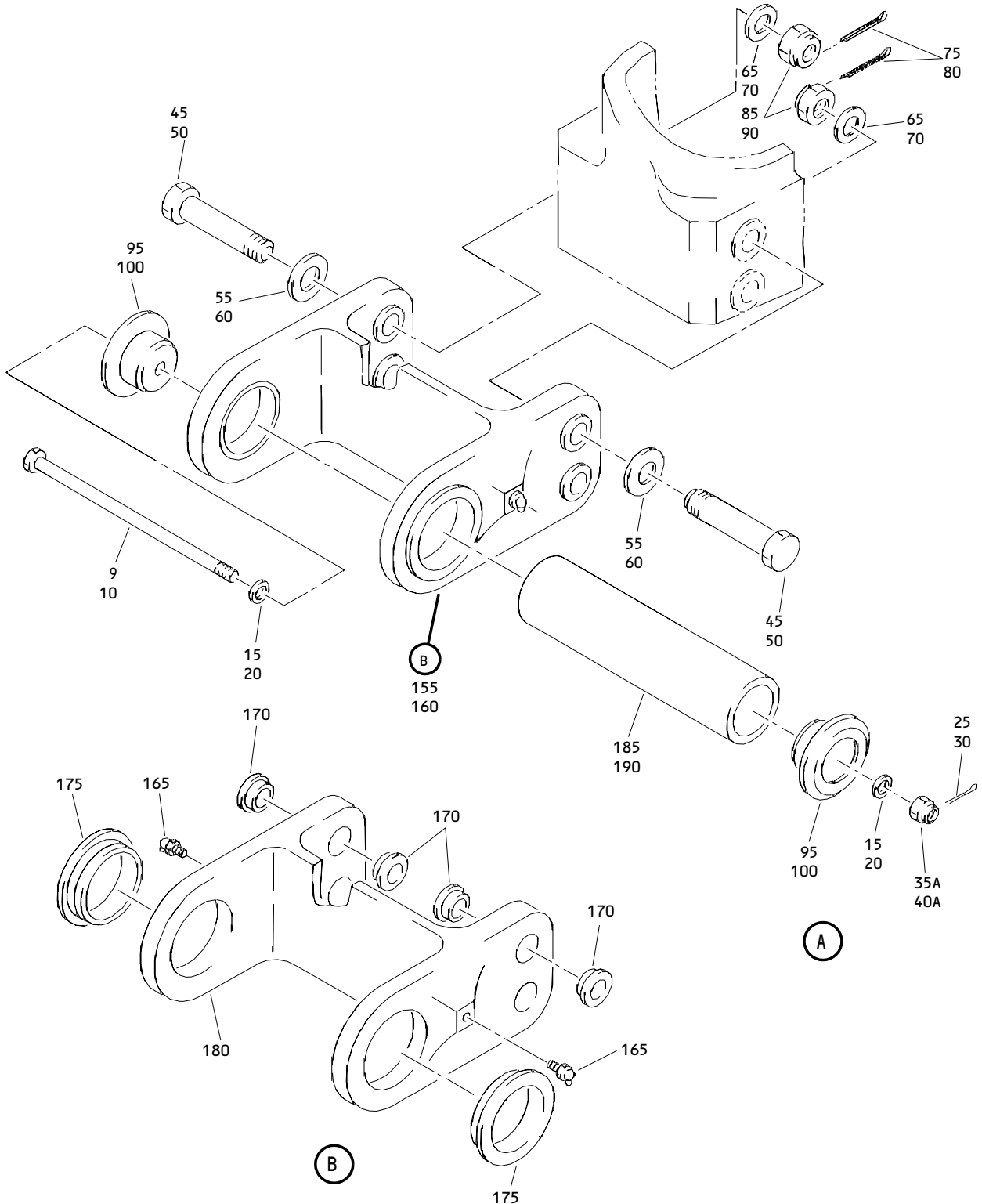
BOEING
COMPONENT
MAINTENANCE MANUAL



Nose Landing Gear Assembly
Figure 1 (Sheet 1)

32-21-21

ILLUSTRATED PARTS LIST
01.101 Page 1042K
Nov 01/05



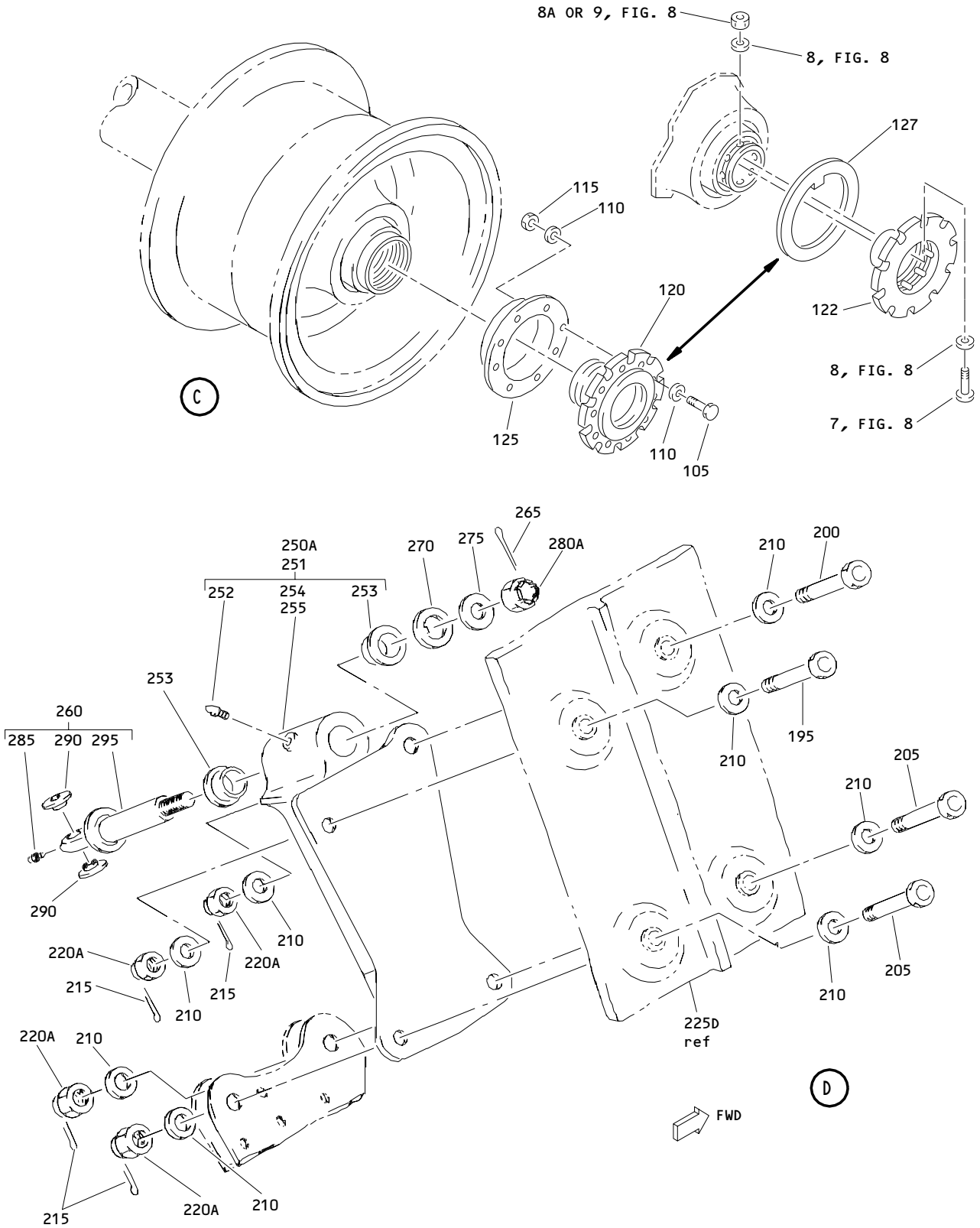
Nose Landing Gear Assembly
 Figure 1 (Sheet 2)

32-21-21

ILLUSTRATED PARTS LIST
 01.101 Page 1042L
 Nov 01/05

BOEING

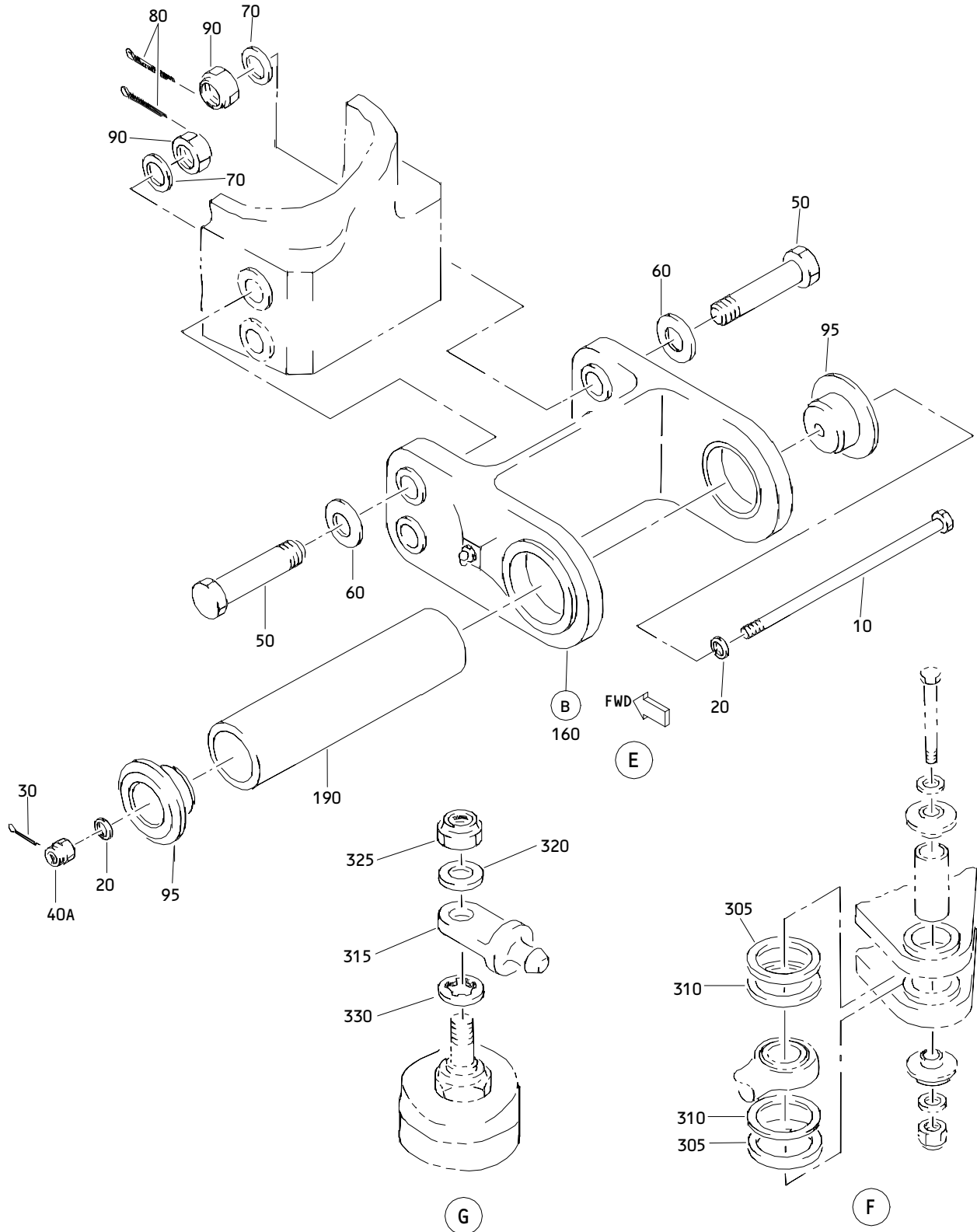
COMPONENT
MAINTENANCE MANUAL



Nose Landing Gear Assembly
Figure 1 (Sheet 3)

32-21-21

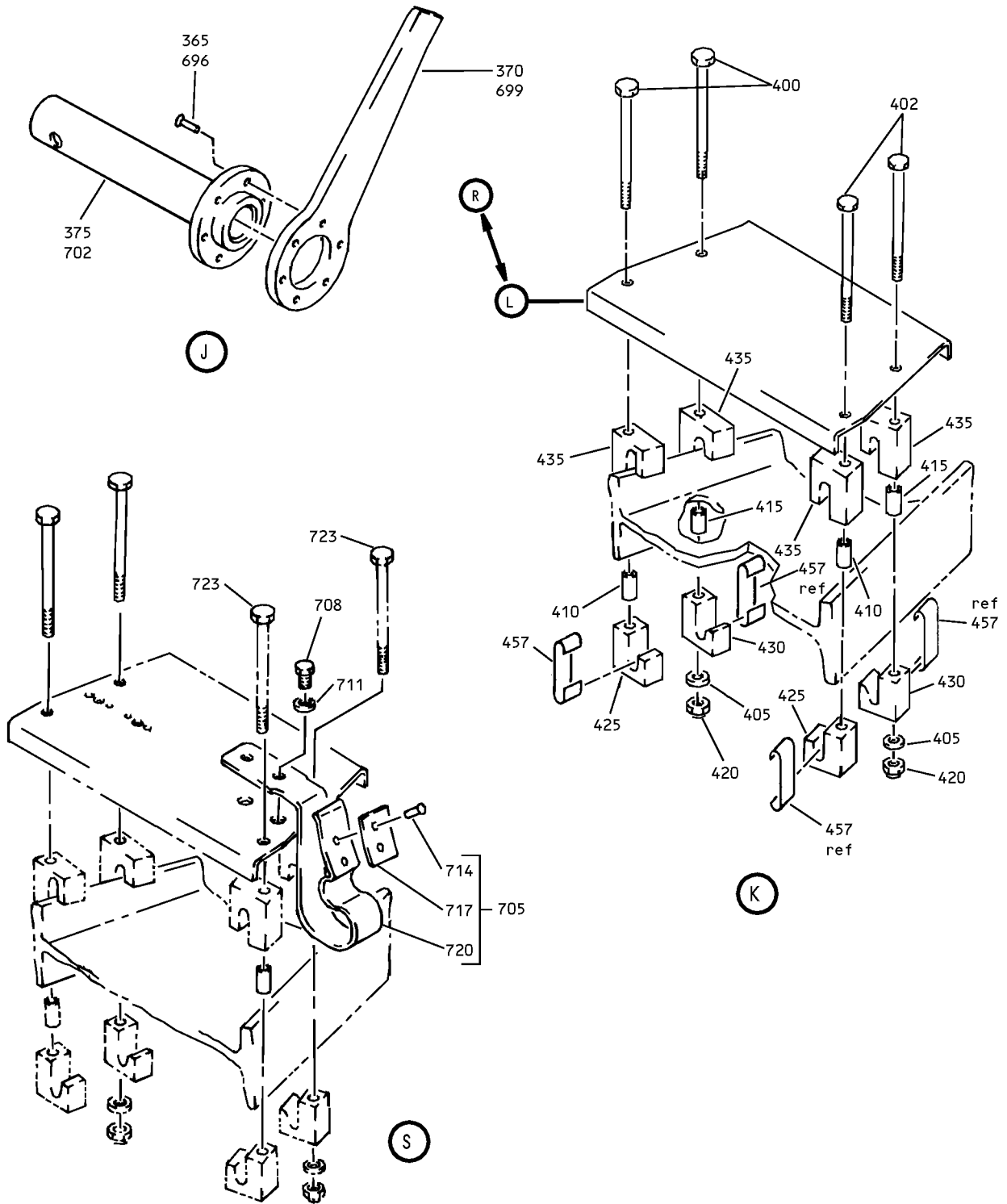
ILLUSTRATED PARTS LIST
01.101 Page 1042M
Nov 01/05



Nose Landing Gear Assembly
 Figure 1 (Sheet 4)

32-21-21

ILLUSTRATED PARTS LIST
 01.101 Page 1042N
 Nov 01/05

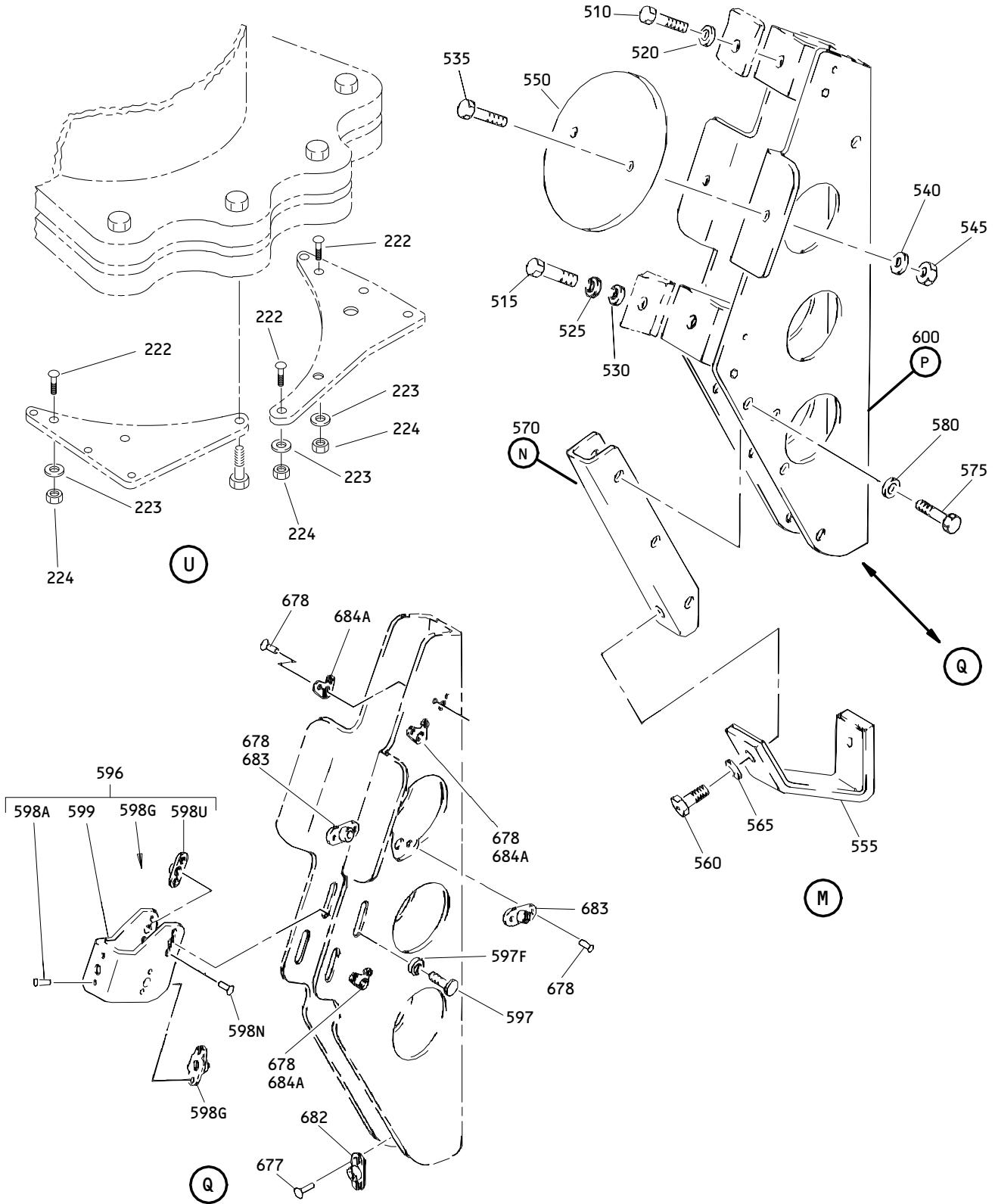


Nose Landing Gear Assembly
Figure 1 (Sheet 5)

32-21-21

ILLUSTRATED PARTS LIST
01.101 Page 10420
Nov 01/05

COMPONENT
MAINTENANCE MANUAL



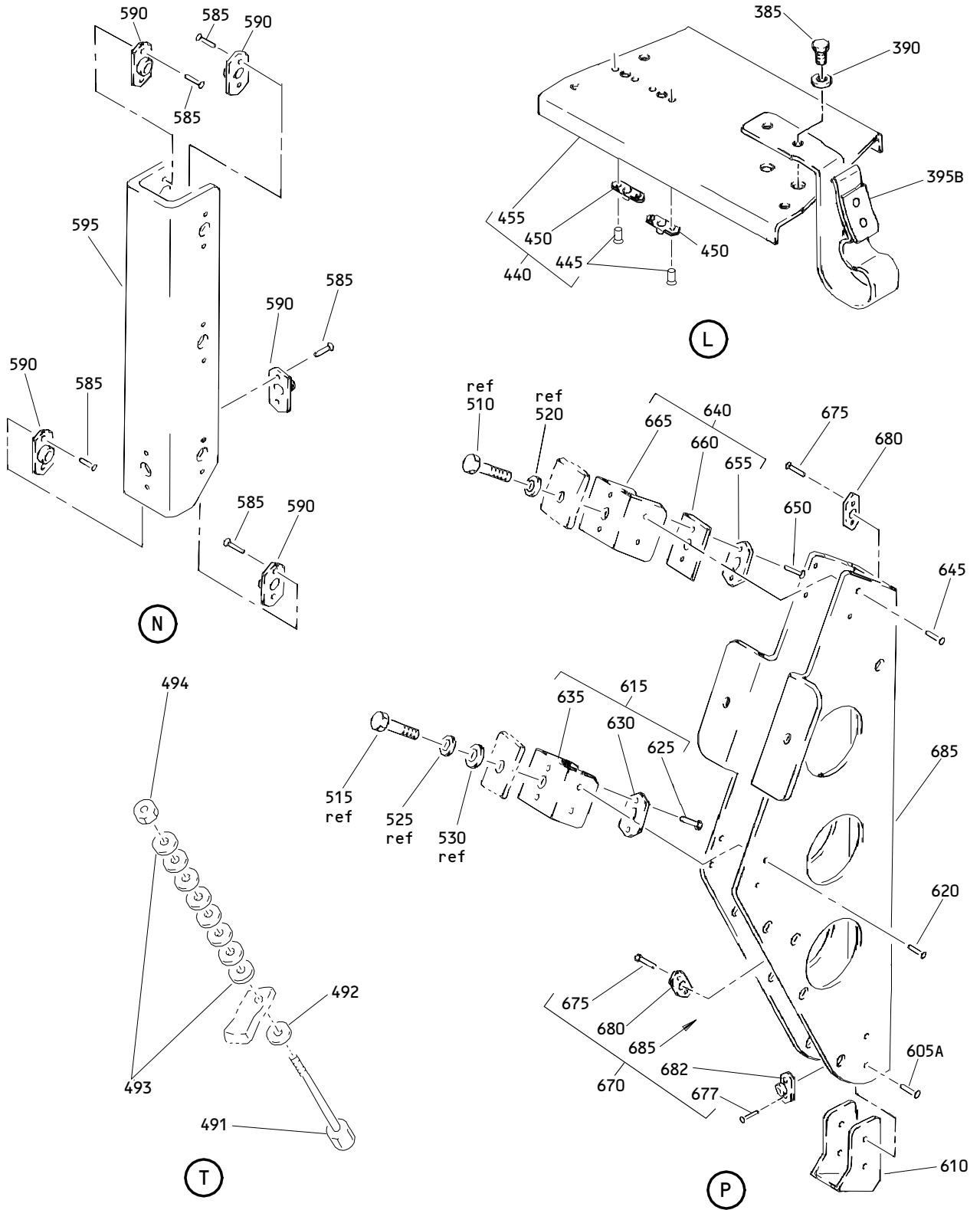
Nose Landing Gear Assembly
Figure 1 (Sheet 6)

32-21-21

ILLUSTRATED PARTS LIST
01.101 Page 1042P
Nov 01/05

BOEING

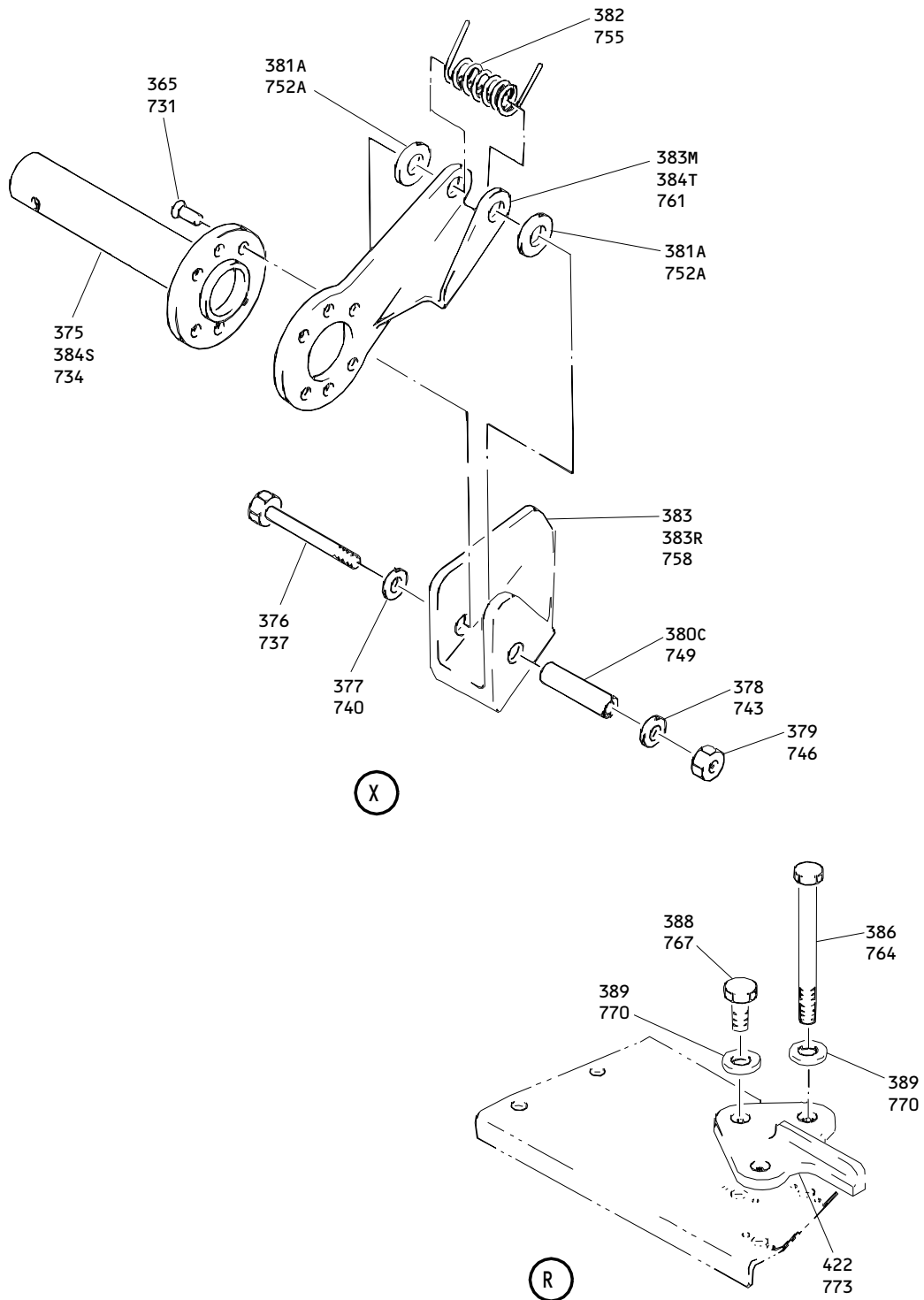
COMPONENT
MAINTENANCE MANUAL



Nose Landing Gear Assembly
Figure 1 (Sheet 7)

32-21-21

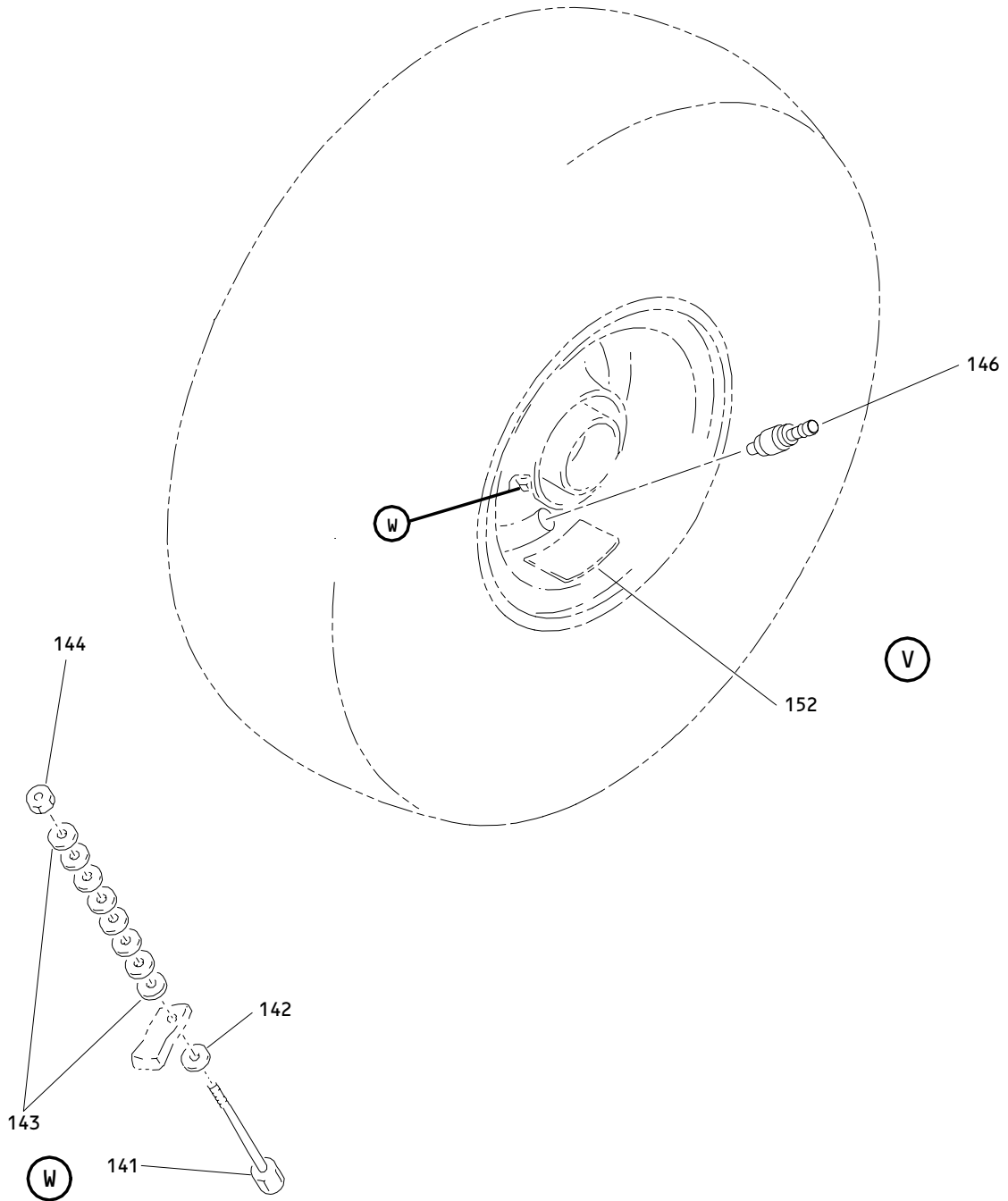
ILLUSTRATED PARTS LIST
01.101 Page 1042Q
Nov 01/05



Nose Landing Gear Assembly
 Figure 1 (Sheet 8)

32-21-21

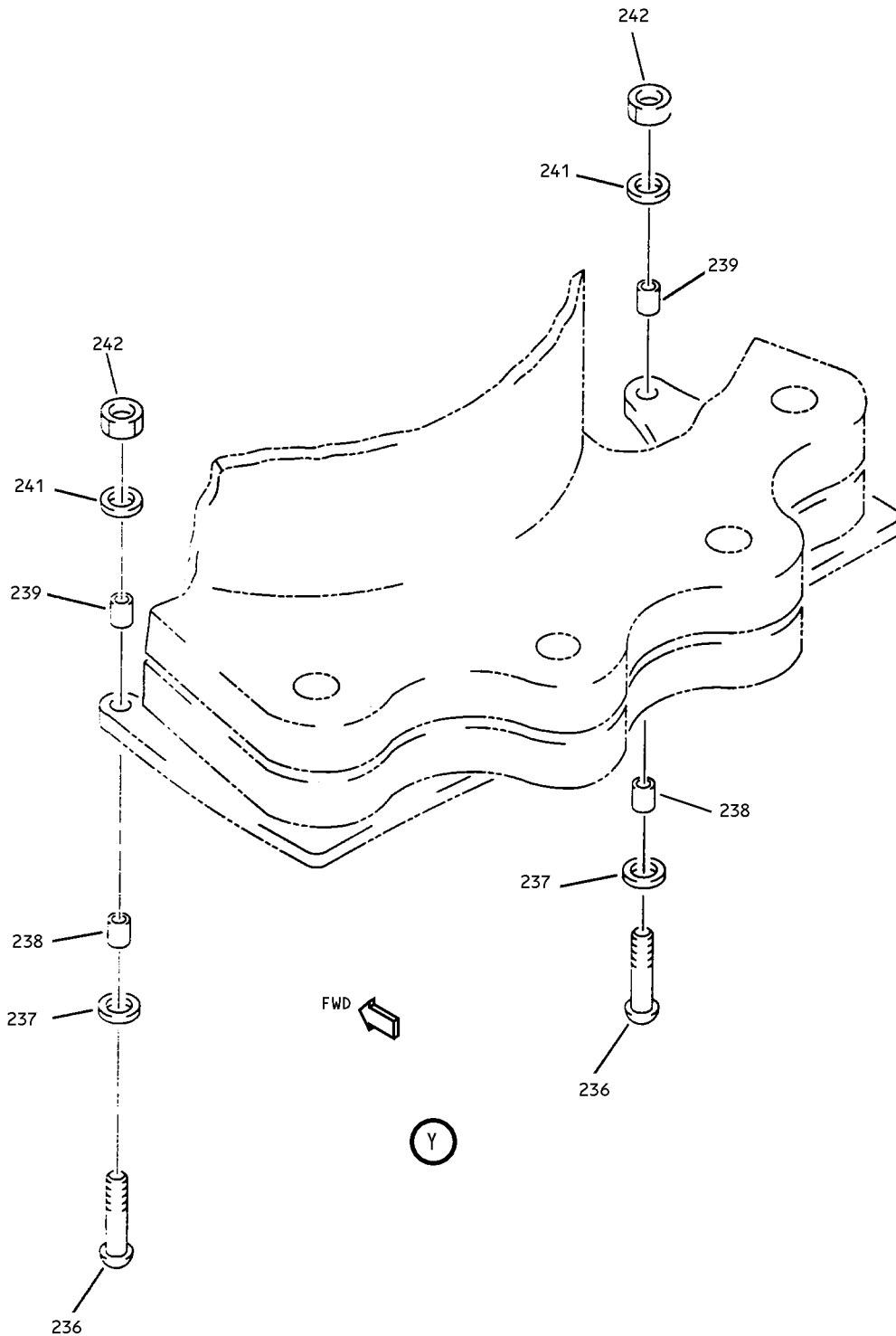
ILLUSTRATED PARTS LIST
 01.101 Page 1042R
 Nov 01/05



Nose Landing Gear Assembly
Figure 1 (Sheet 9)

32-21-21

ILLUSTRATED PARTS LIST
01.101 Page 1042S
Nov 01/05



Nose Landing Gear Assembly
Figure 1 (Sheet 10)

32-21-21

ILLUSTRATED PARTS LIST
01.101 Page 1042T
Nov 01/05


BOEING
 COMPONENT
 MAINTENANCE MANUAL

FIG. & ITEM	PART NO.	AIRLINE PART NUMBER	NOMENCLATURE 1234567	EFF CODE	QTY PER ASSY
R 01-			GEAR AND BUILD UP ASSY, NOSE LDG		
-1A	162T0000-203		GEAR ASSY-NOSE LDG	C	RF
-1B	162T0000-206		GEAR ASSY-NOSE LDG	D	RF
-1C	162T0000-204		GEAR ASSY-NOSE LDG	B	RF
-1D	162T0000-205		GEAR ASSY-NOSE LDG	E	RF
-1E	162T0000-208		GEAR ASSY-NOSE LDG	F	RF
-1F	162T0000-209		GEAR ASSY-NOSE LDG	G	RF
-1G	162T0000-210		GEAR ASSY-NOSE LDG	H	RF
-1H	162T0000-211		GEAR ASSY-NOSE LDG	J	RF
-1J	162T0000-212		GEAR ASSY-NOSE LDG	K	RF
-1K	162T0000-213		GEAR ASSY-NOSE LDG	L	RF
-1L	162T0000-214		GEAR ASSY-NOSE LDG	M	RF
-1M	162T0000-215		GEAR ASSY-NOSE LDG	N	RF
-1N	162T0000-216		GEAR ASSY-NOSE LDG	P	RF
-1P	162T0000-217		GEAR ASSY-NOSE LDG	Q	RF
-1Q	162T0000-218		GEAR ASSY-NOSE LDG	R	RF
-1R	162T0000-219		GEAR ASSY-NOSE LDG	S	RF
-1S	162T0000-220		GEAR ASSY-NOSE LDG	T	RF
-1T	162T0000-221		GEAR ASSY-NOSE LDG	U	RF
-1U	162T0000-222		GEAR ASSY-NOSE LDG	V	RF
-1V	162T0000-223		DELETED		
-1W	162T0000-224		GEAR ASSY-NOSE LDG	X	RF
-1X	162T0000-225		GEAR ASSY-NOSE LDG	Y	RF
-1Y	162T0000-226		GEAR ASSY-NOSE LDG	Z	RF
-1Z	162T0000-227		GEAR ASSY-NOSE LDG	AA	RF
-2	162T0000-228		GEAR ASSY-NOSE LDG	AB	RF
-2A	162T0000-229		GEAR ASSY-NOSE LDG	AC	RF
-2B	162T0000-230		GEAR ASSY-NOSE LDG	AD	RF
-2C	162T0000-231		GEAR ASSY-NOSE LDG	AE	RF
-2D	162T0000-232		GEAR ASSY-NOSE LDG	AF	RF
-2E	162T0000-233		GEAR ASSY-NOSE LDG	AG	RF
-2F	162T0000-234		GEAR ASSY-NOSE LDG	AH	RF
-2G	162T0000-235		GEAR ASSY-NOSE LDG	AJ	RF
-2H	162T0000-236		GEAR ASSY-NOSE LDG	AK	RF
-2J	162T0000-237		GEAR ASSY-NOSE LDG	AL	RF
-2K	162T0000-238		GEAR ASSY-NOSE LDG	AM	RF
-2L	162T0000-239		GEAR ASSY-NOSE LDG	AN	RF
-2M	162T0000-240		GEAR ASSY-NOSE LDG	AP	RF
-2N	162T0000-241		GEAR ASSY-NOSE LDG	AQ	RF
-2P	162T0000-242		GEAR ASSY-NOSE LDG	AR	RF
-2Q	162T0000-243		GEAR ASSY-NOSE LDG	AS	RF
-2R	162T0000-244		GEAR ASSY-NOSE LDG	AT	RF
-2S	162T0000-245		GEAR ASSY-NOSE LDG	AU	RF
-2T	162T0000-246		GEAR ASSY-NOSE LDG	AV	RF

32-21-21

 ILLUSTRATED PARTS LIST
 01.101 Page 1042U
 Nov 01/05

FIG. & ITEM	PART NO.	AIRLINE PART NUMBER	NOMENCLATURE 1234567	EFF CODE	QTY PER ASSY
01-					
-2U	162T0000-247		GEAR ASSY-NOSE LDG	AW	RF
-2V	162T0000-248		GEAR ASSY-NOSE LDG	ED	RF
-2W	162T0000-249		DELETED		
-2X	162T0000-250		GEAR ASSY-NOSE LDG	AZ	RF
-2Y	162T0000-251		GEAR ASSY-NOSE LDG	BA	RF
-2Z	162T0000-252		DELETED		
-3	162T0000-253		DELETED		
-3A	162T0000-254		DELETED		
-3B	162T0000-255		GEAR ASSY-NOSE LDG	BE	RF
-3C	162T0000-256		GEAR ASSY-NOSE LDG	BF	RF
-3D	162T0000-257		DELETED		
-3E	162T0000-258		DELETED		
-3F	162T0000-259		DELETED		
-3G	162T0000-260		DELETED		
-3H	162T0000-261		DELETED		
-3J	162T0000-262		GEAR ASSY-NOSE LDG	BM	RF
-3K	162T0000-263		GEAR ASSY-NOSE LDG	BN	RF
-3L	162T0000-264		GEAR ASSY-NOSE LDG	BP	RF
-3M	162T0000-265		GEAR ASSY-NOSE LDG	BQ	RF
-3N	162T0000-266		GEAR ASSY-NOSE LDG	BR	RF
-3P	162T0000-267		GEAR ASSY-NOSE LDG	BS	RF
-3Q	162T0000-268		GEAR ASSY-NOSE LDG	BT	RF
-3R	162T0000-269		GEAR ASSY-NOSE LDG	BU	RF
-3S	162T0000-270		GEAR ASSY-NOSE LDG	BV	RF
-3T	162T0000-271		DELETED		
-3U	162T0000-272		GEAR ASSY-NOSE LDG	BX	RF
-3V	162T0000-274		GEAR ASSY-NOSE LDG	BY	RF
-3W	162T0000-275		GEAR ASSY-NOSE LDG	BZ	RF
-3X	162T0000-276		DELETED		
-3Y	162T0000-277		GEAR ASSY-NOSE LDG	CB	RF
-3Z	162T0000-279		GEAR ASSY-NOSE LDG	CC	RF

32-21-21

 ILLUSTRATED PARTS LIST
 01.101 Page 1042V
 Nov 01/05


BOEING
 COMPONENT
 MAINTENANCE MANUAL

FIG. & ITEM	PART NO.	AIRLINE PART NUMBER	NOMENCLATURE 1234567	EFF CODE	QTY PER ASSY
01-					
-4	162T0000-280		GEAR ASSY-NOSE LDG	EE	RF
-4A	162T0000-281		GEAR ASSY-NOSE LDG	EF	RF
-4B	162T0000-282		GEAR ASSY-NOSE LDG	EG	RF
-4C	162T0000-283		GEAR ASSY-NOSE LDG	EH	RF
-4D	162T0000-284		DELETED		
-4E	162T0000-285		DELETED		
-4F	162T0000-286		DELETED		
-4G	162T0000-287		GEAR ASSY-NOSE LDG	EK	RF
-4H	162T0000-288		DELETED		
-4J	162T0000-289		DELETED		
-4K	162T0000-290		GEAR ASSY-NOSE LDG	EL	RF
-4L	162T0000-291		GEAR ASSY-NOSE LDG	CQ	RF
-4M	162T0000-292		DELETED		
-4N	162T0000-293		DELETED		
-4P	162T0000-294		DELETED		
-4Q	162T0000-295		DELETED		
-4R	162T0000-296		DELETED		
-4S	162T0000-297		DELETED		
-4T	162T0000-298		DELETED		
-4U	162T0000-299		DELETED		
-4V	162T0000-300		GEAR ASSY-NOSE LDG	CZ	RF
-4W	162T0000-301		DELETED		
-4X	162T0000-306		GEAR ASSY-NOSE LDG	DB	RF
5	NAS6706D121		DELETED		
-5A	162T0000-307		GEAR ASSY-NOSE LDG	CD	RF
-5B	162T0000-311		GEAR ASSY-NOSE LDG	CE	RF
-5C	162T0000-312		GEAR ASSY-NOSE LDG	CF	RF
-5D	162T0000-313		GEAR ASSY-NOSE LDG	CG	RF
-5E	162T0000-314		GEAR ASSY-NOSE LDG	CH	RF
-5F	162T0000-315		GEAR ASSY-NOSE LDG	CJ	RF
-5G	162T0000-316		GEAR ASSY-NOSE LDG	CK	RF
-5H	162T0000-317		GEAR ASSY-NOSE LDG	CL	RF
-5J	162T0000-318		GEAR ASSY-NOSE LDG	CM	RF

32-21-21

 ILLUSTRATED PARTS LIST
 01.101 Page 1042W
 Nov 01/05

FIG. & ITEM	PART NO.	AIRLINE PART NUMBER	NOMENCLATURE 1234567	EFF CODE	QTY PER ASSY
01-					
-5K	162T0000-319		GEAR ASSY-NOSE LDG	CN	RF
-5L	162T0000-320		GEAR ASSY-NOSE LDG	CP	RF
-5M	162T0000-321		GEAR ASSY-NOSE LDG	CR	RF
-5N	162T0000-322		DELETED		
-5P	162T0000-323		DELETED		
-5Q	162T0000-324		DELETED		
-5R	162T0000-325		DELETED		
-5S	162T0000-326		DELETED		
-5T	162T0000-327		DELETED		
-5U	162T0000-328		DELETED		
-5V	162T0000-329		DELETED		
-5W	162T0000-330		DELETED		
-5X	162T0000-331		DELETED		
-5Y	162T0000-332		DELETED		
-5Z	162T0000-333		GEAR ASSY-NOSE LDG	DF	RF
-6	162T0000-334		GEAR ASSY-NOSE LDG	DG	RF
-6A	162T0000-335		DELETED		
-6B	162T0000-336		DELETED		
-6C	162T0000-337		GEAR ASSY-NOSE LDG	DK	RF
-6D	162T0000-338		DELETED		
-6E	162T0000-339		DELETED		
-6F	162T0000-340		GEAR ASSY-NOSE LDG	DN	RF
-6G	162T0000-341		GEAR ASSY-NOSE LDG	DP	RF
-6H	162T0000-342		DELETED		
-6J	162T0000-343		DELETED		
-6K	162T0000-344		GEAR ASSY-NOSE LDG	DS	RF
-6L	162T0000-345		GEAR ASSY-NOSE LDG	DT	RF
-6M	162T0000-346		GEAR ASSY-NOSE LDG	DU	RF
-6N	162T0000-347		GEAR ASSY-NOSE LDG	DV	RF
-6P	162T0000-348		GEAR ASSY-NOSE LDG	DW	RF
-6Q	162T0000-349		GEAR ASSY-NOSE LDG	DX	RF

32-21-21

 ILLUSTRATED PARTS LIST
 01.101 Page 1042X
 Nov 01/05


BOEING
 COMPONENT
 MAINTENANCE MANUAL

FIG. & ITEM	PART NO.	AIRLINE PART NUMBER	NOMENCLATURE 1234567	EFF CODE	QTY PER ASSY
01-					
-6R	162T0000-350		GEAR ASSY-NOSE LDG	DY	RF
-6S	162T0000-351		GEAR ASSY-NOSE LDG	DZ	RF
-6T	162T0000-352		GEAR ASSY-NOSE LDG	EA	RF
-6U	162T0000-353		DELETED		
-6V	162T0000-354		GEAR ASSY-NOSE LDG	EC	RF
-6W	162T0000-308		GEAR ASSY-NOSE LDG	EM	RF
-6X	162T0000-309		GEAR ASSY-NOSE LDG	EN	RF
-6Y	162T0000-310		GEAR ASSY-NOSE LDG	EP	RF
-6Z	162T0000-355		GEAR ASSY-NOSE LDG	EQ	RF
-7	162T0000-357		GEAR ASSY-NOSE LDG	ER	RF
-7A	162T0000-358		GEAR ASSY-NOSE LDG	ES	RF
-7B	162T0000-293		DELETED		
-7C	162T0000-294		GEAR ASSY-NOSE LDG	BC	RF
-7D	162T0000-369		GEAR ASSY-NOSE LDG	BD	RF
-7E	162T0000-376		GEAR ASSY-NOSE LDG	W	RF
-7F	162T0000-377		GEAR ASSY-NOSE LDG	AX	RF
-7G	162T0000-379		GEAR ASSY-NOSE LDG	AY	RF
R -7H	162T0000-207		GEAR ASSY-NOSE LDG	A	RF
R -7J	162T1000-1		BUILDUP ASSY-NLG	BB	RF
R -7K	162T1000-2		BUILDUP ASSY-NLG	BG	RF
R -7L	162T1000-3		BUILDUP ASSY-NLG	BH	RF
R -7M	162T1000-4		BUILDUP ASSY-NLG	BJ	RF
R -7N	162T1000-5		BUILDUP ASSY-NLG	BK	RF
R -7P	162T1000-7		BUILDUP ASSY-NLG	BL	RF
R -7Q	162T1000-8		BUILDUP ASSY-NLG	BW	RF
R -7R	162T1000-9		BUILDUP ASSY-NLG	CS	RF
R -7S	162T0000-378		GEAR ASSY-NOSE LDG	CT	RF

32-21-21

 ILLUSTRATED PARTS LIST
 01.101 Page 1042Y
 Nov 01/05

FIG. & ITEM	PART NO.	AIRLINE PART NUMBER	NOMENCLATURE	EFF CODE	QTY PER ASSY
01-9	NAS6706D121		.BOLT	A,C-H ,K-M, Q-S,V ,Y-AA AC,AD ,AF,A J-AP, AS,A U-AW AZ,B B-BJ, BN-BS ,BU,B W-BZ CC,CE ,CF,C H-CR, CZ,DB DF,DP ,DS,D T,DV, DX,DY ,EA EC,EF ,EG,E K,E N-ES	1

32-21-21

 ILLUSTRATED PARTS LIST
 01.101 Page 1042Z
 Nov 01/05



BOEING
 COMPONENT
 MAINTENANCE MANUAL

FIG. & ITEM	PART NO.	AIRLINE PART NUMBER	NOMENCLATURE 1234567	EFF CODE	QTY PER ASSY
01-10	NAS6706D121		.BOLT	B,J,N ,P,T, U,W,X ,AB,A E,AG AH,AQ ,AR,A T,AX, AY,BA BK-BM ,BT,B V,CB, CD,CG ,CS CT,DD ,DG,D K,DN, DU,DW ,DZ ED,EE ,EH,E L,EM	2

32-21-21

ILLUSTRATED PARTS LIST
 01.101 Page 1043
 Nov 01/05

FIG. & ITEM	PART NO.	AIRLINE PART NUMBER	NOMENCLATURE	EFF CODE	QTY PER ASSY
01-15	BACW10BP6APU		.WASHER	A,C-H ,K-M, Q-S,V ,Y-AA ,AC AD,AF ,AJ-A P,AS, AU-AW ,AY AZ,B B-BJ, BN-BS ,BU,B W-BZ CC,CE ,CF,C H-CR, CZ,DB DF,DP ,DS,D T,DV, DX,DY ,EA EC,EF ,EG,E K,E N-ES	2

32-21-21

 ILLUSTRATED PARTS LIST
 01.101 Page 1044
 Nov 01/05

BOEING
 COMPONENT
 MAINTENANCE MANUAL

FIG. & ITEM	PART NO.	AIRLINE PART NUMBER	NOMENCLATURE	EFF CODE	QTY PER ASSY
01-20	BACW10BP6APU		.WASHER	B, J, N , P, T, U, V, X , AB, A E, AG AH, AQ , AR, A T, AX, AY, BA BK-BM , BT, B V, CB, CD, CG , CS CT, DG , DK, D N, DU, DW, DZ , ED EE, EH , EL, E M	4
25	MS24665-304		.PIN-COTTER	A-BA, BC-BF , BM-B V, B X-BZ CB-CR , CZ, DB, DD , DF, D K DN-DP , DS- EA, E C-EH, EK-ES	1

32-21-21

ILLUSTRATED PARTS LIST
 01.101 Page 1044A
 Nov 01/05

FIG. & ITEM	PART NO.	AIRLINE PART NUMBER	NOMENCLATURE 1234567	EFF CODE	QTY PER ASSY
R 01- -25A	BACP18BC03A10P		.PIN-COTTER	BB,B G-BJ, BW	1
30	MS24665-304		.PIN-COTTER	A-BA, BC-BF ,BM-B V,B X-BZ CB-CR ,CT,C Z,DB, DD,DF ,DK DN-DP ,DS- EA,E C-EH, EK-ES	2
R -30A	BACP18BC03A10P		.PIN-COTTER	BK,BL ,CS	2
35 35A	LCN12-624 MS14144L6		DELETED .NUT	A-BA, BC-BF ,BM-B V,B X-BZ CB-CR ,CZ, DB,DD ,DF,D K DN-DP ,DS- EA,E C-EH, EK-ES	1
R -35B	BACN11N6CD		.NUT	BB,B G-BJ, BW	1
40	LCN12-624		DELETED	DD,DF	

32-21-21

 ILLUSTRATED PARTS LIST
 01.101 Page 1044B
 Nov 01/05

BOEING
 COMPONENT
 MAINTENANCE MANUAL

FIG. & ITEM	PART NO.	AIRLINE PART NUMBER	NOMENCLATURE	EFF CODE	QTY PER ASSY
01-40A	MS14144L6		.NUT	A-BA, BC-BF ,BM-B V,B X-BZ CB-CR ,CT,C Z,DB, ,DK DN-DP ,DS- EA,E C-EH, EK-ES	2
R -40B	BACN11N6CD		.NUT	BK,BL ,CS	2
45	NAS6712D32		.BOLT- (ITEM 45 AND ITEM 75 OPT ITEM 45A)	A,C-H ,K-M, Q-S,V ,Y-AA AC,AD ,AF,A J-AP, AS,A U-AX AZ,B C-BF, BN-BS ,BU,B X-BZ CC,CE ,CF,C H-CR, CZ,DB DF,DP ,DS,D T,DV, DX,DY ,EA EC,EF ,EG,E K,E N-ES	4

32-21-21

ILLUSTRATED PARTS LIST
 01.101 Page 1044C
 Nov 01/05

FIG. & ITEM	PART NO.	AIRLINE PART NUMBER	NOMENCLATURE	EFF CODE	QTY PER ASSY
01-45A	NAS6712U32		1234567 .BOLT- (ITEM 45 AND ITEM 75 OPT ITEM 45A)	A,C-H ,K-M, Q-S,V ,Y-AA ,AC AD,AF ,AJ-A P,AS, AU-AZ BB-BJ ,BN-B S,BU, BW-BZ CC,CE ,CF,C H-CR, CZ,DB DF,DP ,DS,D T,DV, DX,DY ,EA EC,EF ,EG,E K,E N-ES	4

32-21-21

 ILLUSTRATED PARTS LIST
 01.101 Page 1044D
 Nov 01/05



BOEING
 COMPONENT
 MAINTENANCE MANUAL

FIG. & ITEM	PART NO.	AIRLINE PART NUMBER	NOMENCLATURE	EFF CODE	QTY PER ASSY
01-50	NAS6712D32		.BOLT	B,J,N ,P,T, U,W,X ,AB,A E,AG AH,AQ ,AR,A T,AX, BA,B K-BM BT,BV ,CB,C D,CG, CS,CT ,DG DK,DN ,DU,D W,DZ, ED,EE ,EH EL,EM	8

32-21-21

ILLUSTRATED PARTS LIST
 01.101 Page 1044E
 Nov 01/05

FIG. & ITEM	PART NO.	AIRLINE PART NUMBER	NOMENCLATURE	EFF CODE	QTY PER ASSY
01-55	BACW10BP12ACU		.WASHER	A,C-H ,K-M, Q-S,V ,Y-AA AC,AD ,AF,A J-AP, AS,A U-AW AZ,B B-BJ, BN-BS ,BU,B W-BZ CC,CE ,CF,C H-CR, CZ,DB DF,DP ,DS,D T,DV, DX,DY ,EA EC,EF ,EG,E K,E N-ES	4

32-21-21

 ILLUSTRATED PARTS LIST
 01.101 Page 1044F
 Nov 01/05

BOEING
 COMPONENT
 MAINTENANCE MANUAL

FIG. & ITEM	PART NO.	AIRLINE PART NUMBER	NOMENCLATURE	EFF CODE	QTY PER ASSY
01-60	BACW10BP12ACU		.WASHER	B, J, N , P, T, U, W, X , AB, A E, AG AH, AQ , AR, A T, AX, AY, BA BK-BM , BT, B V, CB, CD, CG , CS CT, DG , DK, D N, DU, DW, DZ , ED EE, EH , EL, E M	8

32-21-21

ILLUSTRATED PARTS LIST
 01.101 Page 1044G
 Nov 01/05

FIG. & ITEM	PART NO.	AIRLINE PART NUMBER	NOMENCLATURE	EFF CODE	QTY PER ASSY
01-65	BACW10BP12APU		.WASHER	A,C-H ,K-M, Q-S,V ,Y-AA AC,AD ,AF,A J-AP, AS,A U-AW AZ,B B-BJ, BN-BS ,BU,B W-BZ CC,CE ,CF,C H-CR, CZ,DB DF,DP ,DS,D T,DV, DX,DY ,EA EC,EF ,EG,E K,E N-ES	4

32-21-21

 ILLUSTRATED PARTS LIST
 01.101 Page 1044H
 Nov 01/05

BOEING
 COMPONENT
 MAINTENANCE MANUAL

FIG. & ITEM	PART NO.	AIRLINE PART NUMBER	NOMENCLATURE	EFF CODE	QTY PER ASSY
01-70	BACW10BP12APU		.WASHER	B, J, N , P, T, U, W, X , AB, A E, AG AH, AQ , AR, A T, AX, AY, BA BK-BM , BT, B V, CB, CD, CG , CS CT, DG , DK, D N, DU, DW, DZ , ED EE, EH , EL, E M	8

32-21-21

ILLUSTRATED PARTS LIST
 01.101 Page 1044I
 Nov 01/05

FIG. & ITEM	PART NO.	AIRLINE PART NUMBER	NOMENCLATURE	EFF CODE	QTY PER ASSY
01-75	MS24665-376		.PIN-COTTER (ITEM 45 AND ITEM 75 ITEM 45A)	A,C-H ,K-M, Q-S,V ,Y-AA AC,AD ,AF,A J-AP, AS,A U-AX AZ,B C-BF, BN-BS ,BU,B X-BZ CC,CE ,CF,C H-CR, CZ,DB DF,DP ,DS,D T,DV, DX,DY ,EA EC,EF ,EG,E K,E N-ES	4

32-21-21

 ILLUSTRATED PARTS LIST
 01.101 Page 1044J
 Nov 01/05

BOEING
 COMPONENT
 MAINTENANCE MANUAL

FIG. & ITEM	PART NO.	AIRLINE PART NUMBER	NOMENCLATURE	EFF CODE	QTY PER ASSY
01-80	MS24665-376		.PIN-COTTER	B, J, N , P, T, U, W, X , AB, A E, AG AH, AQ , AR, A T, AY, BA, BM , BT BV, CB , CD, C G, CT, DG, DK DN, DU , DW, D Z, ED, EE, EH EL, EM	8
85	H10-12BAC		.NUT- (V15653) (SPEC BACN10JC12) (OPT RMLH9074-12 (V72962)) (OPT 48FT1216 (V56878)) (OPT BMN4122AD3-12 (V97928))	A-BA, BC-BF , BM-B V, B X-BZ CB-CR , CZ, DB, DD , DF, D K DN-DP , DS- EA, E C-EH, EK-ES	4

32-21-21

ILLUSTRATED PARTS LIST
 01.101 Page 1044K
 Nov 01/05

FIG. & ITEM	PART NO.	AIRLINE PART NUMBER	NOMENCLATURE	EFF CODE	QTY PER ASSY
R 01-85A	H51650-12BAC		1234567 .NUT- (V15653) (SPEC BACN10JC12CD) (OPT 102LH9074-12 (V72962)) (OPT 69235-1216CD (V92215)) (OPT BMN4122CPD8-12 (V97928))	BB,B G-BJ, BW	4
90	H10-12BAC		.NUT- (V15653) (SPEC BACN10JC12) (OPT RMLH9074-12 (V72962)) (OPT 48FT1216 (V56878)) (OPT BMN4122AD3-12 (V97928))	B,J,N ,P,T, U,W,X ,AB,A E,AG AH,AQ ,AR,A T,AX, AY,BA ,BM BT,BV ,CB,C D,CG, CT,DG ,DK DN,DU ,DW,D Z,ED, EE,EH EL,EM	8
R -90A	H51650-12BAC		.NUT- (V15653) (SPEC BACN10JC12CD) (OPT 102LH9074-12 (V72962)) (OPT 69235-1216CD (V92215)) (OPT BMN4122CPD8-12 (V97928))	BK,BL ,CS	8

32-21-21

 ILLUSTRATED PARTS LIST
 01.101 Page 1044L
 Nov 01/05



BOEING
 COMPONENT
 MAINTENANCE MANUAL

FIG. & ITEM	PART NO.	AIRLINE PART NUMBER	NOMENCLATURE 1234567	EFF CODE	QTY PER ASSY
01-95	162T1304-1		.CAP	B,J,N ,P,T, U,W,X ,AB,A E,AG AH,AQ ,AR,A T,AX, AY,BA BK-BM ,BT,B V,CB, CD,CG ,CS CT,DG ,DK,D N,DU, DW,DZ ,ED EE,EH ,EL,E M	4

32-21-21

ILLUSTRATED PARTS LIST
 01.101 Page 1044M
 Nov 01/05

FIG. & ITEM	PART NO.	AIRLINE PART NUMBER	NOMENCLATURE	EFF CODE	QTY PER ASSY
01-100	162T1304-1		.CAP	A,C-H ,K-M, Q-S,V ,Y-AA AC,AD ,AF,A J-AP, AS,A U-AW AZ,B B-BJ, BN-BS ,BU,B W-BZ CC,CE ,CF,C H-CR, CZ,DB DF,DP ,DS,D T,DV, DX,DY ,EA EC,EF ,EG,E K,E N-ES	2
105	NAS6705-7		.BOLT	A-AS, AU-BA ,BC-B F BP-BU ,BY,B Z,C B-CR CZ,DF ,DG,D N,DP, DT-EA EC,ED ,EG,E H,E K-ES	4

32-21-21

 ILLUSTRATED PARTS LIST
 01.101 Page 1044N
 Nov 01/05

BOEING
 COMPONENT
 MAINTENANCE MANUAL

FIG. & ITEM	PART NO.	AIRLINE PART NUMBER	NOMENCLATURE	EFF CODE	QTY PER ASSY
01-110	BACW10BP5APU		.WASHER	A-AS, AU-BA ,BC-B F BP-BU ,BY,B Z,C B-CR CZ,DF ,DG,D N,DP, DT-EA EC,ED ,EG,E H,E K-ES	8
115	BACN10JC5		.NUT	A-AS, AU-BA ,BC-B F BP-BU ,BY,B Z,C B-CR CZ,DF ,DG,D N,DP, DT-EA EC,ED ,EG,E H,E K-ES	4

32-21-21

ILLUSTRATED PARTS LIST
 01.101 Page 10440
 Nov 01/05

FIG. & ITEM	PART NO.	AIRLINE PART NUMBER	NOMENCLATURE	EFF CODE	QTY PER ASSY
01-120	162T1602-1		.NUT-AXLE	A-V, X-AS, AU-AW ,AZ, BA BE,BF ,BP-B U,BY, BZ,C B-CD CQ,CZ ,ED EN,EQ ,ER	2
122	162T1622-1		.NUT-AXLE	W,AT, AX,AY ,BB-B D,B G-BM BN,BV ,BX,C E-CP, CR-CT ,DB DK,D S-EA, EC,E E-EM, EP,ES	2

32-21-21

 ILLUSTRATED PARTS LIST
 01.101 Page 1044P
 Nov 01/05

BOEING
 COMPONENT
 MAINTENANCE MANUAL

FIG. & ITEM	PART NO.	AIRLINE PART NUMBER	NOMENCLATURE	EFF CODE	QTY PER ASSY
01-125	162T1603-1		.WASHER	A-V, X-AS, AU-AW ,AZ, BA BE,BF ,BP-B U,BY, BZ,C B-CD CQ,CZ ,DC, ED EN,EQ ,ER	2
127	162T1621-1		.WASHER-AXLE	W,AT, AX,AY ,BB-B D,B G-BM BN,BV ,BX,C E-CP, CR-CT ,DB DK,D S-EA, EC,E E-EH, EK-EM EP,ES	2

32-21-21

ILLUSTRATED PARTS LIST
 01.101 Page 1044Q
 Nov 01/05

FIG. & ITEM	PART NO.	AIRLINE PART NUMBER	NOMENCLATURE 1234567	EFF CODE	QTY PER ASSY
01- -128	166T0000-1		.WHEEL AND TIRE INSTL-NLG (FOR DETAILS SEE FIG. 8)	U,W,Y ,AG,A N,A R-BA, BE,BF BM-BV ,BX-B Z,C B-CR, CT,CZ DF,DG ,DK,D N,DP, DS-ES	1
130	162T0000-401		.WHEEL AND TIRE ASSY	A,B, D-G, J-L,N ,Q,T, V AB,AJ ,AK	2
-130A	162T0000-403		.WHEEL AND TIRE ASSY	C,H,R ,AC	2
-130B	162T0000-402		.WHEEL AND TIRE ASSY	M,S,A D	2
-130C	162T0000-404		.WHEEL AND TIRE ASSY	P,X	2
-130D	162T0000-405		DELETED		
-130E	162T0000-408		.WHEEL AND TIRE ASSY	AM	2
-130F	162T0000-409		.WHEEL AND TIRE ASSY	AP	2
-130G	162T0000-407		DELETED		
-130H	162T0000-401		DELETED		
-130J	162T0000-407		DELETED		
-130K	162T0000-410		.WHEEL AND TIRE ASSY	AQ	2
140	2606735-1		..WHEEL ASSY- (V55284) (SPEC S160T200-30)	A-P, R-T,V ,X AB-AD ,AJ,A K,AM	1
-140A	S160T200-31		DELETED		
-140B	2606735-2		..WHEEL ASSY- (V55284) (SPEC S160T200-31)	AP,AQ	1
141	MS16998-32		..SCREW	AM	1
142	AN960-10L		..WASHER	AM	1

32-21-21

 ILLUSTRATED PARTS LIST
 01.101 Page 1044R
 Nov 01/05


BOEING
 COMPONENT
 MAINTENANCE MANUAL

FIG. & ITEM	PART NO.	AIRLINE PART NUMBER	NOMENCLATURE 1234567	EFF CODE	QTY PER ASSY
01-					
143	AN970-3		..WASHER	AM	8
144	MS21044N3		..NUT-	AM	1
			(OPT ITEM 144A)		
-144A	2604535		..NUT-	AM	1
			(V55284)		
			(OPT ITEM 144)		
145	10-44		..VALVE ASSY-FILL	A,B, D-G, J-Q,S T,V, X	1
			(V91816)		
			(SPEC 60B10055-4)		
			(FOR DETAILS SEE FIG. 80)		
-145A	10-57		..VALVE ASSY-FILL	AB,AD AJ,A K,AP C,H,R AC,A Q	1
			(V91816)		
			(SPEC 60B10055-2)		
			(FOR DETAILS SEE FIG. 80)		
146	2602101		..VALVE-TIRE INFLATION	AM	1
			(CUSTOMER FURNISHED)		
			(V55284)		
150	032-744		DELETED		
-150A	S160T201-402		DELETED		
-150B	032-740		DELETED		
-150C	S160T201-422		DELETED		
-150D	032-744		DELETED		
150E	APS01214A		DELETED		
-150F	APS01214A		DELETED		
-150G	039-739-0		DELETED		
150H	APS01222		..TIRE-	AP	1
			(VS4233)		
			(SPEC S160T201-422)		
			(OPT DR23224T		
			(VK1037))		
			(OPT SR23224T		
			(V0904B))		
			(OPT 039-739-0		
			(V83187))		

32-21-21

 ILLUSTRATED PARTS LIST
 01.101 Page 1044S
 Nov 01/05

FIG. & ITEM	PART NO.	AIRLINE PART NUMBER	NOMENCLATURE 1234567	EFF CODE	QTY PER ASSY
01- -150J	S0077A		..TIRE-(H37-14X15) (VS5825) (SPEC S160T201-412) (OPT 032-744 (V03481)) (OPT 375K22-1 (V73842)) (OPT APS01214 (VS4233)) (OPT APS01214A (VS4233)) (OPT DR23220T (VK1037)) (OPT DR23221T (V0940B)) (OPT DR23222T (V0940B))	A-L, N-R,T ,V,X, AB,AC AJ,AK ,AM,A Q	1
-150K	S0077A		..TIRE-(H37-14X15) (CUSTOMER FURNISHED) (VS5825) (SPEC S160T201-412) (OPT 032-744 (V03481)) (OPT 375K22-1 (V73842)) (OPT APS01214 (VS4233)) (OPT APS01214A (VS4233)) (OPT DR23220T (VK1037)) (OPT DR23221T (V0940B)) (OPT DR23222T (V0940B))	M,S,A D	1
152	QC34191-1		..PLACARD-TIRE CHANGE (CUSTOMER FURNISHED) (VZ0268)	AM	1

32-21-21

 ILLUSTRATED PARTS LIST
 01.101 Page 1044T
 Nov 01/05

BOEING
 COMPONENT
 MAINTENANCE MANUAL

FIG. & ITEM	PART NO.	AIRLINE PART NUMBER	NOMENCLATURE	EFF CODE	QTY PER ASSY
01-155	162T1301-1		1234567 .FITTING ASSY-TOW	A,C-H ,K-M, Q-S,V ,Y-AA AC,AD ,AF,A J-AP, AS,A U-AW AZ,B B-BJ, BN-BS ,BU BW-BZ ,CC,C E,CF, CH-CR ,CZ DB,DF ,DP,D S,DT, DV,DX ,DY EA,EC ,EF,E G,EK, EN-ES	1

32-21-21

ILLUSTRATED PARTS LIST
 01.101 Page 1044U
 Nov 01/05

FIG. & ITEM	PART NO.	AIRLINE PART NUMBER	NOMENCLATURE	EFF CODE	QTY PER ASSY
01-160	162T1301-1		1234567 FITTING ASSY-TOW	B, J, N , P, T, U, W, X , AB, A E, AG AH, AQ , AR, A T, AX, AY, BA BK-BM , BT, B V, CB, CD, CG , CS CT, DG , DK, D N, DU, DW, DZ , ED EE, EH , EJ, E L, EM	2

32-21-21

 ILLUSTRATED PARTS LIST
 01.101 Page 1044V
 Nov 01/05



BOEING
 COMPONENT
 MAINTENANCE MANUAL

FIG. & ITEM	PART NO.	AIRLINE PART NUMBER	NOMENCLATURE	EFF CODE	QTY PER ASSY
01-165	1744B		1234567 ..FITTING-LUBE (V95879) (OPT ITEM 165B)	A,C-H ,K-M, Q-S,V ,Y-AA AC,AD ,AF,A J-AP, AS,A U-AW AZ,B B-BJ, BN-BS ,BU,B W-BZ CC,CE ,CF,C H-CR, CZ,DB DF,DP ,DR-D T,DV, DX,DY ,EA EC,EF ,EG,E K,E N-EQ	2

32-21-21

ILLUSTRATED PARTS LIST
 01.101 Page 1044W
 Nov 01/05

FIG. & ITEM	PART NO.	AIRLINE PART NUMBER	NOMENCLATURE	EFF CODE	QTY PER ASSY
01-165A	1744B		1234567 ..FITTING-LUBE (V95879) (OPT ITEM 165C)	B,J,N ,P,T, U,W,X ,AB,A E,AG AH,AQ ,AR,A T,AX, BA,B K-BM BT,BV ,CB,C D,CG, CS,CT ,DG DK,DN ,DU,D W,DZ, ED,EE ,EH EK-EM	2

32-21-21

 ILLUSTRATED PARTS LIST
 01.101 Page 1044X
 Nov 01/05

BOEING
 COMPONENT
 MAINTENANCE MANUAL

FIG. & ITEM	PART NO.	AIRLINE PART NUMBER	NOMENCLATURE	EFF CODE	QTY PER ASSY
01-165B	1744B1		1234567 ..FITTING-LUBE (V95879) (OPT ITEM 165)	A,C-H ,K-M, Q-S,V ,Y-AA AC,AD ,AF,A J-AP, AS,A U-AW AZ,B B-BJ, BN-BS ,BU,B W-BZ CC,CE ,CF,C H-CR, CZ,DB DF,DP ,DR-D T,DV, DX,DY ,EA EC,EF ,EG,E K,E N-EQ	2

32-21-21

ILLUSTRATED PARTS LIST
 01.101 Page 1044Y
 Nov 01/05

FIG. & ITEM	PART NO.	AIRLINE PART NUMBER	NOMENCLATURE	EFF CODE	QTY PER ASSY
01- -165C	1744B1		1234567 ..FITTING-LUBE (V95879) (OPT ITEM 165A)	B,J,N ,P,T, U,W,X ,AB,A E,AG AH,AQ ,AR,A T,AX, AY,BA BK-BM ,BT,B V,CB, CD,CG ,CS CT,DG ,DK,D N,DU, DW,DZ ,ED EE,EH ,EK-E M	2

32-21-21

 ILLUSTRATED PARTS LIST
 01.101 Page 1044Z
 Nov 01/05

BOEING
 COMPONENT
 MAINTENANCE MANUAL

FIG. & ITEM	PART NO.	AIRLINE PART NUMBER	NOMENCLATURE	EFF CODE	QTY PER ASSY
01-170	161T1210-37		1234567 ..BUSHING	A,C-H ,K-M, Q-S,V ,Y-AA AC,AD ,AF,A J-AP, AS,A U-AW AZ,B B-BJ, BN-BS ,BU,B W-BZ CC,CE ,CF,C H-CR, CZ,DB DF,DP ,DS,D T,DV, DX,DY ,EA EC,EF ,EG,E K,E N-ES	8

32-21-21

ILLUSTRATED PARTS LIST
 01.101 Page 1045
 Nov 01/05

FIG. & ITEM	PART NO.	AIRLINE PART NUMBER	NOMENCLATURE	EFF CODE	QTY PER ASSY
01-170A	161T1210-37		1234567 ..BUSHING	B, J, N , P, T, U, W, X , AB, A E, AG AH, AQ , AR, A T, AX, AY, BA BK-BM , BT, B V, CB, CD, CG , CS CT, DG , DK, D N, DU, DW, DZ , ED EE, EH , EL, E M	8

32-21-21

 ILLUSTRATED PARTS LIST
 01.101 Page 1046
 Nov 01/05

BOEING
 COMPONENT
 MAINTENANCE MANUAL

FIG. & ITEM	PART NO.	AIRLINE PART NUMBER	NOMENCLATURE	EFF CODE	QTY PER ASSY
01-175	162T1300-1		1234567 ..BUSHING	A,C-H ,K-M, Q-S,V ,Y-AA AC,AD ,AF,A J-AP, AS,A U-AW AZ,B B-BJ, BN-BS ,BU,B W-BZ CC,CE ,CF,C H-CR, CZ,DB DF,DP ,DS,D T,DV, DX,DY ,EA EC,EF ,EG,E K,E N-ES	2

32-21-21

ILLUSTRATED PARTS LIST
 01.101 Page 1046A
 Nov 01/05

FIG. & ITEM	PART NO.	AIRLINE PART NUMBER	NOMENCLATURE 1234567	EFF CODE	QTY PER ASSY
01- -175A -175B	161T1300-1 162T1300-1		DELETED ..BUSHING	B, J, N , P, T, U, W, X , AB, A E, AG AH, AQ , AR, A T, AX, AY, BA BK-BM , BT, B V, CB, CD, CG , CS CT, DG , DK, D N, DU, DW, DZ , ED EE, EH , EL, E M	2

32-21-21

 ILLUSTRATED PARTS LIST
 01.101 Page 1046B
 Nov 01/05

BOEING
 COMPONENT
 MAINTENANCE MANUAL

FIG. & ITEM	PART NO.	AIRLINE PART NUMBER	NOMENCLATURE	EFF CODE	QTY PER ASSY
01-180	162T1301-2		1234567 ..FITTING	A,C-H ,K-M, Q-S,V ,Y-AA AC,AD ,AF,A J-AP, AS,A U-AW AZ,B B-BJ, BN-BS ,BU,B W-BZ CC,CE ,CF,C H-CR, CZ,DB DF,DP ,DS,D T,DV, DX,DY ,EA EC,EF ,EG,E K,E N-ES	1

32-21-21

ILLUSTRATED PARTS LIST
 01.101 Page 1046C
 Nov 01/05

FIG. & ITEM	PART NO.	AIRLINE PART NUMBER	NOMENCLATURE	EFF CODE	QTY PER ASSY
01- -180A -180B	161T1301-2 162T1301-2		1234567 DELETED ..FITTING	B, J, N , P, T, U, W, X , AB, A E, AG AH, AQ , AR, A T, AX, AY, BA BK-BM , BT, B V, CB, CD, CG , CS CT, DG , DK, D N, DU, DW, DZ , ED EE, EH , EL, E M	1

32-21-21

 ILLUSTRATED PARTS LIST
 01.101 Page 1046D
 Nov 01/05

BOEING
 COMPONENT
 MAINTENANCE MANUAL

FIG. & ITEM	PART NO.	AIRLINE PART NUMBER	NOMENCLATURE	EFF CODE	QTY PER ASSY
01-185	162T1303-1		.PIN	A,C-H ,K-M, Q-S,V ,Y-AA AC,AD ,AF,A J-AP, AS,A U-AW AZ,B B-BJ, BN-BS ,BU,B W-BZ CC,CE ,CF,C H-CR, CZ,DB DF,DP ,DS,D T,DV, DX,DY ,EA EC,EF ,EG,E K,E N-ES	1

32-21-21

ILLUSTRATED PARTS LIST
 01.101 Page 1046E
 Nov 01/05

FIG. & ITEM	PART NO.	AIRLINE PART NUMBER	NOMENCLATURE	EFF CODE	QTY PER ASSY
01-190	162T1303-1		.PIN	B, J, N , P, T, U, W, X , AB, A E, AG AH, AQ , AR, A T, AX, AY, BA BK-BM , BT, B V, CB, CD, CG , CS CT, DG , DK, D N, DU, DW, DZ , ED EE, EH , EL, E M	2
195	NAS6606D20		.BOLT		2
200	NAS6606D21		.BOLT	A-BA, BC-BF , BM-B V, B X-BZ CB-CR , CT, C Z, DB, DD, DF , DK DN-DP , DS- EA, E C-EH, EK-ES	2

32-21-21

 ILLUSTRATED PARTS LIST
 01.101 Page 1046F
 Nov 01/05

BOEING
 COMPONENT
 MAINTENANCE MANUAL

FIG. & ITEM	PART NO.	AIRLINE PART NUMBER	NOMENCLATURE 1234567	EFF CODE	QTY PER ASSY
R 01- -200A	NAS6606D26		.BOLT	BB,B G-BL, BW,CS	2
205	NAS6606D24		.BOLT	A-BA, BC-BF ,BM-B V,B X-BZ CB-CR ,CT,C Z,DB, DD,DF ,DK DN-DP ,DS- EA,E C-EH, EK-ES	4
R -205A	NAS6606D23		.BOLT	BB,B G-BL, BW,CS	4
210	BACW10BP6P		.WASHER		16
215	MS24665-304		.PIN-COTTER	A-BA, BC-BF ,BM-B V,B X-BZ CB-CR ,CT,C Z,DB, DD,DF ,DK DN-DP ,DS- EA,E C-EH, EK-ES	8
R 215A -215B	MS24665-376 BACP18BC03A10P		DELETED .PIN-COTTER	BB,B G-BL, BW,CS	8

32-21-21

ILLUSTRATED PARTS LIST
 01.101 Page 1046G
 Nov 01/05

FIG. & ITEM	PART NO.	AIRLINE PART NUMBER	NOMENCLATURE 1234567	EFF CODE	QTY PER ASSY
01- 220 220A	LCN12-624 MS14144L6		DELETED .NUT	A-BA, BC-BF ,BM-B V,B X-BZ CB-CR ,CT,C Z,DB, DD,DF ,DK DN-DP ,DS- EA,E C-EH, EK-ES	8
R -220B	BACN11N6CD		.NUT	BB,B G-BL, BW,CS	8
222	BACS12GM3-10		.SCREW- (OPT ITEM 222A)	AL,BF ,BJ,B U,DF, EC,EK	3
-222A	BACS12GM3-11		.SCREW- (OPT ITEM 222)	AL,BF ,BJ,B U,DF, EC,EK	3
223	AN960D10L		.WASHER	AL,BF ,BU,D F,EC, EK	3
R -223A	NAS1149D0316H		.WASHER	BJ	3
224	MS21042L3		.NUT	AL,BF ,BJ,B U,DF, EC,EK	3
225	162T1100-5		DELETED		
-225A	162T1000-2		DELETED		
-225B	162T1000-5		DELETED		
-225C	162T1000-6		DELETED		

32-21-21

 ILLUSTRATED PARTS LIST
 01.101 Page 1046H
 Nov 01/05

BOEING
 COMPONENT
 MAINTENANCE MANUAL

FIG. & ITEM	PART NO.	AIRLINE PART NUMBER	NOMENCLATURE	EFF CODE	QTY PER ASSY
01-225D	162T1100-6		1234567 .COMPONENT ASSY-SHOCK (-001 MAY REPLACE -9, -6 AND -12 FOR 767-200 WITH SOME WEIGHT PENALTY WITH CUSTOMER APPROVAL) (-002 MAY REPLACE -6 AND -9 FOR 767-200 WITH SOME WEIGHT PENALTY WITH CUSTOMER APPROVAL AND CUSTOMER APPROVAL FOR USING QUICK DISCONNECTS -002 I/W -001 WITH CUST APPROVAL -002 HAS QUICK DISCONNECTS) (162T1100-37,-35,-21,-17 -13 OR -10 WITH QUICK DISCONNECT (QD) MAY REPLACE BUT NOT BE REPLACED BY 162T1100-6 WITHOUT QD AFTER SB767-32-0039 IS INCORPORATED WITH CUSTOMER APPROVAL) (REF CMM 32-21-43) (CONT AT ITEM 232)	A,C,G ,H,M, N	1

32-21-21

ILLUSTRATED PARTS LIST
 01.101 Page 1046I
 Nov 01/05

FIG. & ITEM	PART NO.	AIRLINE PART NUMBER	NOMENCLATURE 1234567	EFF CODE	QTY PER ASSY
01- -225E	162T1100-7		.COMPONENT ASSY-SHOCK (162T1100-7 WITH QUICK DISCONNECT (QD) I/W 162T1100-6 WITHOUT QD WITH CUSTOMER APPROVAL) (162T1100-37, -35, -21, -17, -13 OR -10 MAY REPLACE BUT NOT BE REPLACED BY 162T1100-8 WITH HIGH PRESSURE CHARGING VALVE AFTER SB767-32-0039 IS INCORPORATED WITH CUSTOMER APPROVAL) (162T1100-37 MAY REPLACE BUT NOT BE REPLACED BY 162T1100-7 FOR CUSTOMER WITH SB767-32-0039 INCORPORATED) (162T1100-38, -33 OR -30 T/W 2 EA 162T1621-1, 2 EA 162T1622-1 MAY REPLACE BUT NOT BE REPLACED BY 162T1100-7 T/W 2 EA 162T1602-1, 2 EA 162T1603-1, 8 EA BACW10BP5APU, 4 EA NAS6705-7, 4 EA BACN10JC5 FOR CUSTOMER NOT USING TIRE PRESSURE INDICATOR SYSTEM (TPIS) AND HAS INCORPORATED SB767-32-0039 WITH CUSTOMER APPROVAL) (REF CMM 32-21-43) (CONT AT ITEM 232B)	B,E,F ,J,K, P	1

32-21-21

 ILLUSTRATED PARTS LIST
 01.101 Page 1046J
 Nov 01/05


BOEING
 COMPONENT
 MAINTENANCE MANUAL

FIG. & ITEM	PART NO.	AIRLINE PART NUMBER	NOMENCLATURE 1234567	EFF CODE	QTY PER ASSY
01- -225F	162T1100-8		.COMPONENT ASSY-SHOCK (162T1100-8 WITH QUICK DISCONNECT (QD) AND HIGH PRESSURE CHARGING VALVE I/W 162T1100-6 WITHOUT QD WITH CUSTOMER APPROVAL) (162T1100-37, -35, -21, -17, -13 OR -10 MAY REPLACE BUT NOT BE REPLACED BY 162T1100-8 WITH HIGH PRESSURE CHARGING VALVE AFTER SB767-32-0039 IS INCORPORATED WITH CUSTOMER APPROVAL) (162T1100-37, -35, -21, -17, -13 OR -10 I/W 162T1100-19 WITH HIGH PRESSURE CHARGING VALVE WITH CUSTOMER APPROVAL) (REF CMM 32-21-43) (CONT AT ITEM 232E)	D,L	1

32-21-21

 ILLUSTRATED PARTS LIST
 01.101 Page 1046K
 Nov 01/05

FIG. & ITEM	PART NO.	AIRLINE PART NUMBER	NOMENCLATURE	EFF CODE	QTY PER ASSY
01- -225G	162T1100-9		1234567 .COMPONENT ASSY-SHOCK (001 MAY REPLACE -9, -6 AND -12 FOR 767-200 WITH SOME WEIGHT PENALTY WITH CUSTOMER APPROVAL) (-002 MAY REPLACE 162T1100-6 AND -9 FOR 767-200 WITH SOME WEIGHT PENALTY WITH CUST APPROVAL AND CUST APPROVAL FOR USING QUICK DISCONNECTS -002 I/W -001 WITH CUST APPROVAL -002 HAS QUICK DISCONNECTS) (162T1100-36, -20, -12 OR -9 WITHOUT QUICK DISCONNECT (QD) MAY REPLACE BUT NOT BE REPLACED BY 162T1100-7 WITH QD AFTER SB767-32-0039 IS INCORPORATED WITH CUSTOMER APPROVAL) (REF CMM 32-21-43) (CONT AT ITEM 232M)	R-T	1

32-21-21

 ILLUSTRATED PARTS LIST
 01.101 Page 1046L
 Nov 01/05


BOEING
 COMPONENT
 MAINTENANCE MANUAL

FIG. & ITEM	PART NO.	AIRLINE PART NUMBER	NOMENCLATURE 1234567	EFF CODE	QTY PER ASSY
01- -225H	162T1100-10		.COMPONENT ASSY-SHOCK (162T1100-37, -35, -21, -17, -13 OR -10 WITH QUICK DISCONNECT (QD) MAY REPLACE BUT NOT BE REPLACED BY 162T1100-6 WITHOUT QD AFTER SB767-32-0039 IS INCORPORATED WITH CUSTOMER APPROVAL) (162T1100-37 MAY REPLACE BUT NOT BE REPLACED BY 162T1100-7 FOR CUSTOMER WITH SB767-32-0039 INCORPORATED) (162T1100-37, -35, -21, -17, -13 OR -10 MAY REPLACE BUT NOT BE REPLACED BY 162T1100-8 WITH HIGH PRESSURE CHARGING VALVE AFTER SB767-32-0039 IS INCORPORATED WITH CUSTOMER APPROVAL) (162T1100-37, -35, -21, -17, -13 OR -10 WITH QUICK DISCONNECT (QD) I/W 162T1100-36, -20, -12, -9 WITHOUT QD WITH CUSTOMER APPROVAL) (CONT AT ITEM 232P) (REF CMM 32-21-43)	V,X	1
-225J	162T1100-11		DELETED		

32-21-21

 ILLUSTRATED PARTS LIST
 01.101 Page 1046M
 Nov 01/05

FIG. & ITEM	PART NO.	AIRLINE PART NUMBER	NOMENCLATURE	EFF CODE	QTY PER ASSY
01- -225K	162T1136-001		1234567 .COMPONENT ASSY- (-001 MAY REPLACE -6, -9, -12 AND -13 FOR 767-200 WITH SOME WEIGHT PENALTY WITH CUSTOMER APPROVAL) (-002 I/W -001 WITH CUSTOMER APPROVAL -002 HAS QUICK DISCONNECTS) (-003 MAY REPLACE -001 FOR ANA ONLY) (162T1136-004 OR -008 T/W 2EA 162T1621-1, 2EA 162T1622-1 AND ATTACHING HARDWARE MAY REPLACE -001 OR -004 T/W 2EA 162T1602-1, 2EA 162T1603-1, 4EA NAS6705-7, 4EA BACW10BP5APU AND 4EA BACN10JC5, FOR CUST. NOT USING TPIS WITH CUST. APPROVAL. CUSTOMER USING TPIS MUST USE 162T1136-004 OR -008) (REF CMM 32-21-47) (CONT AT ITEM 227X)	Z,AQ	1

32-21-21

 ILLUSTRATED PARTS LIST
 01.101 Page 1046N
 Nov 01/05

BOEING
 COMPONENT
 MAINTENANCE MANUAL

FIG. & ITEM	PART NO.	AIRLINE PART NUMBER	NOMENCLATURE	EFF CODE	QTY PER ASSY
01-225L	162T1136-002		1234567 .COMPONENT ASSY- (-002 MAY REPLACE 162T1100-6 AND -9 FOR FOR 767-200 WITH SOME WEIGHT PENALTY WITH CUSTOMER APPROVAL AND CUST APPROVAL FOR USING QUICK DISCONNECTS. -002 I/W -001 WITH CUST APPROVAL -002 HAS QUICK DISCONNECTS\$ (162T1136-044, -041, -010, -006 OR -002 WITH QUICK DISCONNECT (QD) FEATURE IS I/W 162T1136-042, -009, -005 OR -001 WITHOUT QD FEATURE WITH CUSTOMER APPROVAL) (162T1136-075, -074, -070, -068, -038, -030, -020, -017, -012, -008 OR -004 T/W 2 EA 162T1621-1, 2 EA 162T1622-1, MAY REPLACE BUT NOT BE REPLACED BY 162T1136-044, -041, -010 -006 OR -002 T/W 2 EA 162T1602-1, 2 EA 162T1603-1, 8 EA BACW10BP5APU, 4 EA NAS6705-7, 4 EA BACN10JC5 FOR CUSTOMERS NOT USING TIRE PRESSURE INDICATOR SYSTEM (TPIS) WITH CUSTOMER APPROVAL) (REF CMM 32-21-47) (CONT AT ITEM 228)	AA,AB, AH	1

32-21-21

ILLUSTRATED PARTS LIST
 01.101 Page 10460
 Nov 01/05

FIG. & ITEM	PART NO.	AIRLINE PART NUMBER	NOMENCLATURE	EFF CODE	QTY PER ASSY
01- -225M	162T1100-12		1234567 .COMPONENT ASSY-SHOCK (001 MAY REPLACE -9, -6 AND -12 FOR 767-200 WITH SOME WEIGHT PENALTY WITH CUSTOMER APPROVAL) (-002 MAY REPLACE -12 FOR 767-200 WITH SOME WEIGHT PENALTY WITH CUSTOMER APPROVAL AND CUSTOMER APPROVAL FOR USING QUICK DISCONNECTS) (-13 I/W -12 WITH CUSTOMER APPROVAL. -13 HAS QUICK DISCONNECT) (162T1100-36, -20, -12 OR -9 WITHOUT QUICK DISCONNECT (QD) MAY REPLACE BUT NOT BE REPLACED BY 162T1100-7 WITH QD AFTER SB767-32-0039 IS INCORPORATED WITH CUSTOMER APPROVAL) (CONT AT ITEM 232L) (REF CMM 32-21-43)	Q,AC, AD,AE ,AN,A S	1

32-21-21

 ILLUSTRATED PARTS LIST
 01.101 Page 1046P
 Nov 01/05


BOEING
 COMPONENT
 MAINTENANCE MANUAL

FIG. & ITEM	PART NO.	AIRLINE PART NUMBER	NOMENCLATURE 1234567	EFF CODE	QTY PER ASSY
01- -225N	162T1100-13		. COMPONENT ASSY-SHOCK (001 MAY REPLACE -13 FOR 767-200 WITH SOME WEIGHT PENALTY WITH CUSTOMER APPROVAL. -13 HAS QUICK DISCONNECT.) (-002 MAY REPLACE -13 FOR 767-200 WITH SOME WEIGHT PENALTY WITH CUSTOMER APPROVAL) (162T1100-37, -35, -21, -17, -13 OR -10 WITH QUICK DISCONNECT (QD) MAY REPLACE BUT NOT BE REPLACED BY 162T1100-6 WITHOUT QD AFTER SB767-32-0039 IS INCORPORATED WITH CUSTOMER APPROVAL) (162T1100-37 MAY REPLACE BUT NOT BE REPLACED BY 162T1100-7 FOR CUSTOMER WITH SB767-32-0039 INCORPORATED) (REF CMM 32-21-43) (CONT AT ITEM 232D)	AF, AJ , AK, A M, AP	1

32-21-21

 ILLUSTRATED PARTS LIST
 01.101 Page 1046Q
 Nov 01/05

FIG. & ITEM	PART NO.	AIRLINE PART NUMBER	NOMENCLATURE	EFF CODE	QTY PER ASSY
01- -225P	162T1136-003		1234567 .COMPONENT ASSY- (162T1136-042, -009, -005 OR -001 I/W 162T1136-043, -011, -007 OR -003 WITH IMPROVED NOSE GEAR STEERING ANGLE INDICATOR WITH CUSTOMER APPROVAL) (162T1136-044, -041, -010, -006 OR -002 WITH QUICK DISCONNECT (QD) FEATURE IS I/W 162T1136-043, -011, -007 OR -003 WITHOUT QD FEATURE AND INCLUDE IMPROVED NOSE GEAR STEERING ANGLE INDICATOR WITH CUSTOMER APPROVAL) (162T1136-072, -035, -033, -022, -019, -018, -014 OR -013 T/W 2 EA 162T1621-1, 2 EA 162T1622-1 MAY REPLACE BUT NOT BE REPLACED BY 162T1136-043, -011, -007 OR -003 T/W 2 EA 162T1602-1, 2 EA 162T1603-1, 8 EA BACW10BP5APU, 4 EA NAS6705-7, 4 EA BACN10JC5 INCLUDE IMPROVED NOSE GEAR STEERING ANGLE INDICATOR FOR CUSTOMER NOT USING TIRE PRESSURE INDICATOR SYSTEM (TPIS) WITH CUSTOMER APPROVAL) (REF CMM 32-21-47)	AL	1

32-21-21

 ILLUSTRATED PARTS LIST
 01.101 Page 1046R
 Nov 01/05


BOEING
 COMPONENT
 MAINTENANCE MANUAL

FIG. & ITEM	PART NO.	AIRLINE PART NUMBER	NOMENCLATURE	EFF CODE	QTY PER ASSY
01- -225Q	162T1136-004		1234567 .COMPONENT ASSY- (162T1136-004 OR -008 T/W 2EA 162T1621-1, 2EA 162T1622-1 AND ATTACHING HARDWARE MAY REPLACE -001 OR -004 T/W 2EA 162T1602-1, 2EA 162T1603-1, 4EA NAS6705-7, 4EA BACW10BP5APU AND 4EA BACN10JC5, FOR CUST. NOT USING TPIS WITH CUST. APPROVAL. CUSTOMER USING TPIS MUST USE 162T1136-004 OR -008) (162T1136-075, -074, -070, -068, -038, -030, -020, -017, -012, -008 OR -004 T/W 2 EA 162T1621-1, 2 EA 162T1622-1, MAY REPLACE BUT NOT BE REPLACED BY 162T1136-044, -041, -010 -006 OR -002 T/W 2 EA 162T1602-1, 2 EA 162T1603-1, 8 EA BACW10BP5APU, 4 EA NAS6705-7, 4 EA BACN10JC5 FOR CUSTOMERS NOT USING TIRE PRESSURE INDICATOR SYSTEM (TPIS) WITH CUSTOMER APPROVAL) (REF CMM 32-21-47) (CONT AT ITEM 228Q)	AT	1
-225R	162T1100-16		DELETED		

32-21-21

 ILLUSTRATED PARTS LIST
 01.101 Page 1046S
 Nov 01/05

FIG. & ITEM	PART NO.	AIRLINE PART NUMBER	NOMENCLATURE	EFF CODE	QTY PER ASSY
01- -225S	162T1100-17		1234567 .COMPONENT ASSY- (162T1100-37, -35, -21, -17, -13 OR -10 WITH QUICK DISCONNECT (QD) MAY REPLACE BUT NOT BE REPLACED BY 162T1100-6 WITHOUT QD AFTER SB767-32-0039 IS INCORPORATED WITH CUSTOMER APPROVAL) (162T1100-37 MAY REPLACE BUT NOT BE REPLACED BY 162T1100-7 FOR CUSTOMER WITH SB767-32-0039 INCORPORATED) (162T1100-37, -35, -21, -17, -13 OR -10 I/W 162T1100-19 WITH HIGH PRESSURE CHARGING VALVE WITH CUSTOMER APPROVAL) (162T1100-37, -35, -21, -17, -13 OR -10 WITH QUICK DISCONNECT (QD) I/W 162T1100-36, -20, -12, -9 WITHOUT QD WITH CUSTOMER APPROVAL) (REF CMM 32-21-43) (CONT AT ITEM 233A)	BQ	1

32-21-21

 ILLUSTRATED PARTS LIST
 01.101 Page 1046T
 Nov 01/05


BOEING
 COMPONENT
 MAINTENANCE MANUAL

FIG. & ITEM	PART NO.	AIRLINE PART NUMBER	NOMENCLATURE 1234567	EFF CODE	QTY PER ASSY
01- -225T	162T1136-006		.COMPONENT ASSY- (162T1136-044, -041, -010, -006 OR -002 WITH QUICK DISCONNECT (QD) FEATURE IS I/W 162T1136-042, -009, -005 OR -001 WITHOUT QD FEATURE WITH CUSTOMER APPROVAL) (162T1136-044, -041, -010, -006 OR -002 WITH QUICK DISCONNECT (QD) FEATURE IS I/W 162T1136-043, -011, -007 OR -003 WITHOUT QD FEATURE AND INCLUDE IMPROVED NOSE GEAR STEERING ANGLE INDICATOR WITH CUSTOMER APPROVAL) (162T1136-075, -074, -070, -068, -038, -030, -020, -017, -012, -008 OR -004 T/W 2 EA 162T1621-1, 2 EA 162T1622-1, MAY REPLACE BUT NOT BE REPLACED BY 162T1136-044, -041, -010 -006 OR -002 T/W 162T1602-1, 2 EA 162T1603-1, 8 EA BACW10BP5APU, 4 EA NAS6705-7, 4 EA BACN10JC5 FOR CUSTOMERS NOT USING TIRE PRESSURE INDICATOR SYSTEM (TPIS) WITH CUSTOMER APPROVAL) (REF CMM 32-21-47) (CONT AT ITEM 229A)	AW,BP ,CB	1

32-21-21

 ILLUSTRATED PARTS LIST
 01.101 Page 1046U
 Nov 01/05

FIG. & ITEM	PART NO.	AIRLINE PART NUMBER	NOMENCLATURE 1234567	EFF CODE	QTY PER ASSY
01- -225U	162T1136-005		.COMPONENT ASSY- (162T1136-044, -041, -010, -006 OR -002 WITH QUICK DISCONNECT (QD) FEATURE IS I/W 162T1136-042, -009, -005 OR -001 WITHOUT QD FEATURE WITH CUSTOMER APPROVAL) (162T1136-042, -009, -005 OR -001 I/W 162T1136-043, -011, -007 OR -003 WITH IMPROVED NOSE GEAR STEERING ANGLE INDICATOR WITH CUSTOMER APPROVAL) (162T1136-073, -040, -021 T/W 2 EA 162T1621-1 2 EA 162T1622-1 WITH IMPROVED NOSE GEAR STEERING ANGLE INDICATOR MAY REPLACE BUT NOT BE REPLACED BY 162T1136-042 -009, -005, -001 T/W 2 EA 162T1602-1, 2 EA 162T1603-1, 8 EA BACW10BP5APU, 4 EA NAS6705-7, 4 EA BACN10JC5 FOR CUSTOMER NOT USING TIRE PRESSURE INDICATOR SYSTEM (TPIS) WITH CUSTOMER APPROVAL) (REF CMM 32-21-47) (CONT AT ITEM 228V)	AV	1

32-21-21

 ILLUSTRATED PARTS LIST
 01.101 Page 1046V
 Nov 01/05


BOEING
 COMPONENT
 MAINTENANCE MANUAL

FIG. & ITEM	PART NO.	AIRLINE PART NUMBER	NOMENCLATURE 1234567	EFF CODE	QTY PER ASSY
01- -225V	162T1136-007		.COMPONENT ASSY- (162T1136-042, -009, -005 OR -001 I/W 162T1136-043, -011, -007 OR -003 WITH IMPROVED NOSE GEAR STEERING ANGLE INDICATOR WITH CUSTOMER APPROVAL) (162T1136-044, -041, -010, -006 OR -002 WITH QUICK DISCONNECT (QD) FEATURE IS I/W 162T1136-043, -011, -007 OR -003 WITHOUT QD FEATURE AND INCLUDE IMPROVED NOSE GEAR STEERING ANGLE INDICATOR WITH CUSTOMER APPROVAL) (162T1136-075, -074, -070, -068, -038, -030, -020, -017, -012, -008 OR -004 T/W 2 EA 162T1621-1, 2 EA 162T1622-1, WITH QUICK DISCONNECT (QD) FEATURE MAY REPLACE BUT NOT BE REPLACED BY 162T1136-043 -011, -007 OR -003 T/W 2 EA 162T1602-1, 2 EA 162T1603-1, 8 EA BACW10BP5APU, 4 EA NAS6705-7, 4 EA BACN10JC5 FOR CUSTOMER NOT USING TIRE PRESSURE INDICATOR SYSTEM (TPIS) WITHOUT QD FEATURE WITH IMPROVED NOSE GEAR STEERING ANGLE INDICATOR WITH CUSTOMER APPROVAL) (REF CMM 32-21-47) (CONT AT ITEM 229E)	BF	1

32-21-21

 ILLUSTRATED PARTS LIST
 01.101 Page 1046W
 Nov 01/05

FIG. & ITEM	PART NO.	AIRLINE PART NUMBER	NOMENCLATURE	EFF CODE	QTY PER ASSY
01- -225W	162T1136-008		1234567 .COMPONENT ASSY- (162T1136-075, 074, -070 -068,-038,-030,-020,-017 -012, -008 OR -004 T/W 2 EA 162T1621-1, 2 EA 162T1622-1, WITH QUICK DISCONNECT (QD) FEATURE MAY REPLACE BUT NOT BE REPLACED BY 162T1136-042 -009, -005, OR -001 T/W 2 EA 162T1602-1, 2 EA 162T1603-1, 8 EA BACW10BP5APU, 4 EA NAS6705-7, 4 EA BACN10JC5 FOR CUSTOMERS NOT USING TIRE PRESSURE INDICATOR SYSTEM (TPIS) AND WITHOUT QD FEATURE WITH CUSTOMER APPROVAL) (-013 MAY REPLACE -008 FOR VN221-VN230) (REF CMM 32-21-47) (CONT AT ITEM 228B)	BM,BN	1
-225X	162T1100-15		DELETED		

32-21-21

 ILLUSTRATED PARTS LIST
 01.101 Page 1046X
 Nov 01/05

BOEING
 COMPONENT
 MAINTENANCE MANUAL

FIG. & ITEM	PART NO.	AIRLINE PART NUMBER	NOMENCLATURE	EFF CODE	QTY PER ASSY
01-225Y	162T1100-19		1234567 .COMPONENT ASSY- (162T1100-19 WITH QUICK DISCONNECT (QD) WITH HIGH PRESSURE CHARGING VALVE MAY REPLACE BUT NOT BE REPLACED BY 162T1100-6 WITHOUT QD AFTER SB767-32-0039 IS INCORPORATED WITH CUSTOMER APPROVAL) (162T1100-19 WITH HIGH PRESSURE CHARGING VALVE MAY REPLACE BUT NOT BE REPLACED BY 162T1100-7 AFTER SB767-32-0039 IS INCORPORATED) (162T1100-19 MAY REPLACE BUT NOT BE REPLACED BY 162T1100-8 AFTER SB767-32-0039 IS INCORPORATED) (162T1100-19 WITH QUICK DISCONNECT (QD) WITH HIGH PRESSURE CHARGING VALVE I/W 162T1100-12 OR -9 WITHOUT QD WITH CUSTOMER APPROVAL) (162T1100-19 WITH HIGH PRESSURE CHARGING VALVE I/W 162T1100-17, -13 OR -10 WITH CUSTOMER APPROVAL) (REF CMM 32-21-43) (CONT AT ITEM 232Y)	Y	1

32-21-21

ILLUSTRATED PARTS LIST
 01.101 Page 1046Y
 Nov 01/05

FIG. & ITEM	PART NO.	AIRLINE PART NUMBER	NOMENCLATURE	EFF CODE	QTY PER ASSY
01- -225Z	162T1100-20		1234567 .COMPONENT ASSY- (162T1100-23 MAY REPLACE -20 FOR VF071-VF090) (162T1100-36,-20,-12OR-9 WITHOUT QUICK DISCONNECT (QD) MAY REPLACE BUT NOT BE REPLACED BY 162T1100-7 WITH QD AFTER SB767-32-0039 IS INCORPORATED WITH CUSTOMER APPROVAL) (162T1100-36, -20, -12, OR -9 WITHOUT QUICK DISCONNECT (QD) MAY REPLACE BUT NOT BE REPLACED BY 162T1100-8 WITH QD AND HIGH PRESSURE CHARGING VALVE AFTER SB767-32-0039 IS INCORPORATED AND WITH CUSTOMER APPROVAL) (162T1100-37, -35, -21, -17, -13 OR -10 WITH QUICK DISCONNECT (QD) I/W 162T1100-36, -20, -12, -9 WITHOUT QD WITH CUSTOMER APPROVAL) (REF CMM 32-21-43) (CONT AT ITEM 233H)	AU,AZ ,BA,B Y	1

32-21-21

 ILLUSTRATED PARTS LIST
 01.101 Page 1046Z
 Nov 01/05


BOEING
 COMPONENT
 MAINTENANCE MANUAL

FIG. & ITEM	PART NO.	AIRLINE PART NUMBER	NOMENCLATURE	EFF CODE	QTY PER ASSY
01- -226	162T1100-21		1234567 .COMPONENT ASSY- (162T1100-37, -35, -21, -17, -13 OR -10 WITH QUICK DISCONNECT (QD) MAY REPLACE BUT NOT BE REPLACED BY 162T1100-6 WITHOUT QD AFTER SB767-32-0039 IS INCORPORATED WITH CUSTOMER APPROVAL) 162T1100-37 MAY REPLACE BUT NOT BE REPLACED BY 162T1100-7 FOR CUSTOMER WITH SB767-32-0039 INCORPORATED) (162T1100-37, -35, -21, -17, -13 OR -10 I/W 162T1100-19 WITH HIGH PRESSURE CHARGING VALVE WITH CUSTOMER APPROVAL) (162T1100-37, -35, -21, -17, -13 OR -10 WITH QUICK DISCONNECT (QD) I/W 162T1100-36, -20, -12, -9 WITHOUT QD WITH CUSTOMER APPROVAL) (REF CMM 32-21-43) (CONT AT ITEM 233K)	U,AG, AR,BE ,BZ	1

32-21-21

 ILLUSTRATED PARTS LIST
 01.101 Page 1047
 Nov 01/05

FIG. & ITEM	PART NO.	AIRLINE PART NUMBER	NOMENCLATURE 1234567	EFF CODE	QTY PER ASSY
01- -226A	162T1136-009		.COMPONENT ASSY- (162T1136-044, -041, -010, -006 OR -002 WITH QUICK DISCONNECT (QD) FEATURE IS I/W 162T1136-042, -009, -005 OR -001 WITHOUT QD FEATURE WITH CUSTOMER APPROVAL) (162T1136-042, -009, -005 OR -001 I/W 162T1136-043, -011, -007 OR -003 WITH IMPROVED NOSE GEAR STEERING ANGLE INDICATOR WITH CUSTOMER APPROVAL) (162T1136-075, -074, -070, -068, -038, -020, -017, -012, -008 OR -004 T/W 2 EA 162T1621-1, 2 EA 162T1622-1 WITH QUICK DISCONNECT (QD) FEATURE MAY REPLACE BUT NOT BE REPLACED BY 162T1136-042, -009, -005 OR -001 T/W 2 EA 162T1602-1, 2 EA 162T1603-1, 8 EA BACW10BP5APU, 4 EA NAS6705-7, 4 EA BACN10JC5 FOR CUSTOMERS NOT USING TIRE PRESSURE INDICATOR SYSTEM (TPIS) AND WITHOUT QD FEATURE WITH CUSTOMER APPROVAL) (REF CMM 32-21-47) (CONT AT ITEM 229S)	BR	1

32-21-21

 ILLUSTRATED PARTS LIST
 01.101 Page 1048
 Nov 01/05


BOEING
 COMPONENT
 MAINTENANCE MANUAL

FIG. & ITEM	PART NO.	AIRLINE PART NUMBER	NOMENCLATURE	EFF CODE	QTY PER ASSY
01- -226B	162T1136-010		1234567 .COMPONENT ASSY- (162T1136-044, -041, -010, -006 OR -002 WITH QUICK DISCONNECT (QD) FEATURE IS I/W 162T1136-042, -009, -005 OR -001 WITHOUT QD FEATURE WITH CUSTOMER APPROVAL) (162T1136-044, -041, -010, -006 OR -002 WITH QUICK DISCONNECT (QD) FEATURE IS I/W 162T1136-043, -011, -007 OR -003 WITHOUT QD FEATURE AND INCLUDE IMPROVED NOSE GEAR STEERING ANGLE INDICATOR WITH CUSTOMER APPROVAL) (162T1136-075, -074, -070, -068, -038, -030, -020, -017, -012, -008 OR -004 T/W 2 EA 162T1621-1, 2 EA 162T1622-1, MAY REPLACE BUT NOT BE REPLACED BY 162T1136-044, -041, -010 -006 OR -002 T/W 162T1602-1, 2 EA 162T1603-1, 8 EA BACW10BP5APU, 4 EA NAS6705-7, 4 EA BACN10JC5 FOR CUSTOMERS NOT USING TIRE PRESSURE INDICATOR SYSTEM (TPIS) WITH CUSTOMER APPROVAL) (REF CMM 32-21-47) (CONT AT ITEM 229)	BS,BT ,CC,C D,ED, EN,ER	1

32-21-21

 ILLUSTRATED PARTS LIST
 01.101 Page 1048A
 Nov 01/05

FIG. & ITEM	PART NO.	AIRLINE PART NUMBER	NOMENCLATURE 1234567	EFF CODE	QTY PER ASSY
01- -226C	162T1136-011		.COMPONENT ASSY- (162T1136-042, -009, -005 OR -001 I/W 162T1136-043, -011, -007 OR -003 WITH IMPROVED NOSE GEAR STEERING ANGLE INDICATOR WITH CUSTOMER APPROVAL) (162T1136-044, -041, -010, -006 OR -002 WITH QUICK DISCONNECT (QD) FEATURE IS I/W 162T1136-043, -011, -007 OR -003 WITHOUT QD FEATURE AND INCLUDE IMPROVED NOSE GEAR STEERING ANGLE INDICATOR WITH CUSTOMER APPROVAL) (REF CMM 32-21-47) (CONT AT ITEM 230E)	BU	1

32-21-21

 ILLUSTRATED PARTS LIST
 01.101 Page 1048B
 Nov 01/05


BOEING
 COMPONENT
 MAINTENANCE MANUAL

FIG. & ITEM	PART NO.	AIRLINE PART NUMBER	NOMENCLATURE 1234567	EFF CODE	QTY PER ASSY
01- -226D	162T1136-012		.COMPONENT ASSY- (162T1136-075, -074, -070, -068, -038, -030, -020, -017, -012, -008 OR -004 T/W 2 EA 162T1621-1, 2 EA 162T1622-1, MAY REPLACE BUT NOT BE REPLACED BY 162T1136-044, -041, -010 -006 OR -002 T/W 2 EA 162T1602-1, 2 EA 162T1603-1, 8 EA BACW10BP5APU, 4 EA NAS6705-7, 4 EA BACN10JC5 FOR CUSTOMERS NOT USING TIRE PRESSURE INDICATOR SYSTEM (TPIS) WITH CUSTOMER APPROVAL) (162T1136-075, -074, -070, -068, -038, -030, -020, -017, -012, -008 OR -004 T/W 2 EA 162T1621-1, 2 EA 162T1622-1 WITH QUICK DISCONNECT (QD) FEATURE MAY REPLACE BUT NOT BE REPLACED BY 162T1136-043 -011, -007 OR -003 T/W 2 EA 162T1602-1, 2 EA 162T1603-1, 8 EA BACW10BP5APU, 4 EA NAS6705-7, 4 EA BACN10JC5 FOR CUSTOMER NOT USING TIRE PRESSURE INDICATOR SYSTEM (TPIS) WITHOUT QD FEATURE WITH IMPROVED NOSE GEAR STEERING ANGLE INDICATOR WITH CUSTOMER APPROVAL) (REF CMM 32-21-47) (CONT AT ITEM 229B)	BV	1

32-21-21

 ILLUSTRATED PARTS LIST
 01.101 Page 1048C
 Nov 01/05

FIG. & ITEM	PART NO.	AIRLINE PART NUMBER	NOMENCLATURE	EFF CODE	QTY PER ASSY
01- -226E	162T1136-013		1234567 .COMPONENT ASSY- (-013 MAY REPLACE -008 FOR VN221-VN230) (162T1136-072, -035, -033, -022, -019, -018, -014 OR -013, T/W 2 EA 162T1621-1, 2 EA 162T1622-1 MAY REPLACE BUT NOT BE REPLACED BY 162T1136-042, -009, -005 OR -001 T/W 2 EA 162T1602-1, 2 EA 162T1603-1, 8 EA BACW10BP5APU, 4 EA NAS6705-7, 4 EA BACN10JC5 FOR CUSTOMERS NOT USING TIRE PRESSURE INDICATOR SYSTEM (TPIS) WITH CUSTOMER APPROVAL) (162T1136-072, -035, -033, -022, -019, -018, -014 OR -013 T/W 2 EA 162T1621-1, 2 EA 162T1622-1 WITHOUT QUICK DISCONNECT (QD) MAY REPLACE BUT NOT BE REPLACED BY 162T1136-044 -041, -010, -006 OR -002 T/W 2 EA 162T1602-1, 2 EA 162T1603-1, 8 EA BACW10BP5APU, 4 EA NAS6705-7, 4 EA BACN10JC5 FOR CUSTOMERS NOT USING TIRE PRESSURE INDICATOR SYSTEM (TPIS) WITH CUSTOMER APPROVAL) (REF CMM 32-21-47) (CONT AT ITEM 228F)	BX	1

32-21-21

 ILLUSTRATED PARTS LIST
 01.101 Page 1048D
 Nov 01/05

BOEING
 COMPONENT
 MAINTENANCE MANUAL

FIG. & ITEM	PART NO.	AIRLINE PART NUMBER	NOMENCLATURE	EFF CODE	QTY PER ASSY
			1234567		
01- -226F	162T1136-014		.COMPONENT ASSY- (MAY REPLACE -008 FOR VN221-VN230) (162T1136-072, -035, -033, -022, -019, -018, -014 OR -013 T/W 2 EA 162T1621-1, 2 EA 162T1622-1 MAY REPLACE BUT NOT BE REPLACED BY 162T1136-042, -009, -005 OR -001 T/W 2 EA 162T1602-1, 2 EA 162T1603-1, 8 EA BACW10BP5APU, 4 EA NAS6705-7, 4 EA BACN10JC5 FOR CUSTOMERS NOT USING TIRE PRESSURE INDICATOR SYSTEM (TPIS) WITH CUSTOMER APPROVAL) (162T1136-072, -035, -033, -022, -019, -018, -014 OR -013 T/W 2 EA 162T1621-1, 2 EA 162T1622-1 WITHOUT QUICK DISCONNECT (QD) MAY REPLACE BUT NOT BE REPLACED BY 162T1136-044 -041, -010, -006 OR -002 T/W 2 EA 162T1602-1, 2 EA 162T1603-1, 8 EA BACW10BP5APU, 4 EA NAS6705-7, 4 EA BACN10JC5 FOR CUSTOMERS NOT USING TIRE PRESSURE INDICATOR SYSTEM (TPIS) WITH CUSTOMER APPROVAL) (REF CMM 32-21-47) (CONT AT ITEM 228E)	BN	1
-226G	162T1100-23		DELETED		
-226H	162T1100-27		DELETED		

32-21-21

ILLUSTRATED PARTS LIST
 01.101 Page 1048E
 Nov 01/05

FIG. & ITEM	PART NO.	AIRLINE PART NUMBER	NOMENCLATURE	EFF CODE	QTY PER ASSY
01- -226J	162T1100-29		1234567 .COMPONENT ASSY- (162T1100-34, -32 OR -29 T/W 2 EA 162T1621-1,2 EA 162T1622-1 MAY REPL BUT NOT BE REPLD BY 162T1100-6 T/W 2 EA 162T1602-1, 2 EA 162T1603-1, 8 EA BACW10BP5APU, 4 EA NAS6705-7, 4 EA BACN10JC5 FOR CUSTOMER NOT USING TPIS AND HAS INCORP SB 767-32-0039) (162T1100-34, 32 OR -29 T/W 2 EA 162T1621-1, 2 EA 162T1622-1 WITHOUT QUICK DISCONNECT (QD) MAY REPLACE BUT NOT BE REPLACED BY 162T1100-7 T/W 2 EA 162T1602-1, 2 EA 162T1603-1, 8 EA BACB10BP5APU, 4 EA NAS6705-7, 4 EA BACN10JC5 WITH QD FOR CUSTOMER NOT USING TPIS AND HAS INCORPORATED SB767-32-0039 WITH CUSTOMER APPROVAL) (162T1100-34, -32 OR -29 T/W 2 EA 162T1621-1, 2 EA 162T1622-1 WITHOUT QUICK DISCONNECT (QD) MAY REPLACE BUT NOT BE REPLACED BY 162T1100-8 T/W 2 EA 162T1602-1,2 EA 162T1603-1, 8 EA BACW10BP5APU, 4 EA NAS6705-7, 4 EA BACN10JC5 WITH QD FOR CUSTOMER NOT USING TPIS AND HAS INCORP SB767-32- 0039 WITH CUST APPROVAL) (REF CMM 32-21-43) (CONT AT ITEM 232K)	EL	1

32-21-21

 ILLUSTRATED PARTS LIST
 01.101 Page 1048F
 Nov 01/05


BOEING
 COMPONENT
 MAINTENANCE MANUAL

FIG. & ITEM	PART NO.	AIRLINE PART NUMBER	NOMENCLATURE 1234567	EFF CODE	QTY PER ASSY
01- -226K -226L	162T1100-30 162T1136-017		DELETED .COMPONENT ASSY- (162T1136-075,-074,-070 -068, -038, -030, -020, -017, -012, -008 OR -004 T/W 2 EA 162T1621-1, 2 EA 162T1622-1, WITH QUICK DISCONNECT (QD) FEATURE MAY REPLACE BUT NOT BE REPLACED BY 162T1136-042, -009, -005, OR -001 T/W 2 EA 162T1602-1, 2 EA 162T1603-1, 8EA BACW10BP5APU, 4 EA NAS6705-7, 4 EA BACN10JC5 FOR CUSTOMERS NOT USING TIRE PRESSURE INDICATOR SYSTEM (TPIS) AND WITHOUT QD FEATURE WITH CUSTOMER APPROVAL) (162T1136-073, -040, -021, T/W 2 EA 162T1621-1, 2 EA 162T1622-1 WITHOUT QUICK DISCONNECT (QD) FEATURE AND IMPROVED NOSE GEAR STEERING ANGLE INDICATOR MAY REPLACE BUT NOT BE REPLACED BY 162T1136-044 -041, -010, -006 OR -002 T/W 2 EA 162T1602-1 2 EA 162T1603-1, 8 EA BACW10BP5APU, 4 EA NAS6705-7, 4 EA BACN10JC5 WITH QD FEATURE FOR CUSTOMERS NOT USING TIRE PRESSURE INDICATOR SYSTEM (TPIS) WITH CUSTOMER APPROVAL) (REF CMM 32-21-47) (CONT AT ITEM 228P)	EE	1

32-21-21

 ILLUSTRATED PARTS LIST
 01.101 Page 1048G
 Nov 01/05

FIG. & ITEM	PART NO.	AIRLINE PART NUMBER	NOMENCLATURE	EFF CODE	QTY PER ASSY
01- -226M	162T1136-018		1234567 .COMPONENT ASSY- (162T1136-072, -035, -033, -022, -019, -018, -014 OR -013 T/W 2 EA 162T1621-1, 2 EA 162T1622-1 MAY REPLACE BUT NOT BE REPLACED BY 162T1136-042, -009, -005 OR -001 T/W 2 EA 162T1602-1, 2 EA 162T1603-1, 8 EA BACW10BP5APU, 4 EA NAS6705-7, 4 EA BACN10JC5 FOR CUSTOMERS NOT USING TIRE PRESSURE INDICATOR SYSTEM (TPIS) WITH CUSTOMER APPROVAL) (162T1136-072, -035, -033, -022, -019, -018, -014 OR -013 T/W 2 EA 162T1621-1, 2 EA 162T1622-1 WITHOUT QUICK DISCONNECT (QD) MAY REPLACE BUT NOT BE REPLACED BY 162T1136-044 -041, -010, -006 OR -002 T/W 2 EA 162T1602-1, 2 EA 162T1603-1, 8 EA BACW10BP5APU, 4 EA NAS6705-7, 4 EA BACN10JC5 FOR CUSTOMERS NOT USING TIRE PRESSURE INDICATOR SYSTEM (TPIS) WITH CUSTOMER APPROVAL) (REF CMM 32-21-47) (CONT AT ITEM 228J)	EF	1

32-21-21

 ILLUSTRATED PARTS LIST
 01.101 Page 1048H
 Nov 01/05


BOEING
 COMPONENT
 MAINTENANCE MANUAL

FIG. & ITEM	PART NO.	AIRLINE PART NUMBER	NOMENCLATURE	EFF CODE	QTY PER ASSY
01- -226N	162T1136-019		1234567 .COMPONENT ASSY- (162T1136-072, -035, -033, -022, -019, -018, -014 OR -013 T/W 2 EA 162T1621-1, 2 EA 162T1622-1 MAY REPLACE BUT NOT BE REPLACED BY 162T1136-042, -009, -005 OR -001 T/W 2 EA 162T1602-1, 2 EA 162T1603-1, 8 EA BACW10BP5APU, 4 EA NAS6705-7, 4 EA BACN10JC5 FOR CUSTOMERS NOT USING TIRE PRESSURE INDICATOR SYSTEM (TPIS) WITH CUSTOMER APPROVAL) (162T1136-072, 035, -033 -022, -019, -018, -014 OR -013 T/W 2 EA 162T1621-1, 2 EA 162T1622-1 WITHOUT QUICK DISCONNECT (QD) MAY REPLACE BUT NOT BE REPLACED BY 162T1136-044 -041, -010, -006 OR -002 T/W 2 EA 162T1602-1, 2 EA 162T1603-1, 8 EA BACW10BP5APU, 4 EA NAS6705-7, 4 EA BACN10JC5 FOR CUSTOMERS NOT USING TIRE PRESSURE INDICATOR SYSTEM (TPIS) WITH CUSTOMER APPROVAL) (REF CMM 32-21-47) (CONT AT ITEM 228H)	EG	1

32-21-21

 ILLUSTRATED PARTS LIST
 01.101 Page 1048I
 Nov 01/05

FIG. & ITEM	PART NO.	AIRLINE PART NUMBER	NOMENCLATURE	EFF CODE	QTY PER ASSY
01- -226P	162T1136-020		1234567 .COMPONENT ASSY- (162T1136-075,-074,-070, -068, -038, -030, -020, -017, -012, -008 OR -004 T/W 2 EA 162T1621-1, 2 EA 162T1622-1, WITH QUICK DISCONNECT (QD) FEATURE MAY REPLACE BUT NOT BE REPLACED BY 162T1136-042, -009, -005 OR -001 T/W 2 EA 162T1602-1, 2 EA 162T1603-1, 8 EA BACW10BP5APU, 4 EA NAS6705-7, 4 EA BACN10JC5 FOR CUSTOMERS NOT USING TIRE PRESSURE INDICATOR SYSTEM (TPIS) AND WITHOUT QD FEATURE WITH CUSTOMER APPROVAL) (162T1136-075, 074, 070 -068, -038, -030, -020, -017, -012, -008 OR -004 T/W 2 EA 162T1621-1, 2 EA 162T1622-1, MAY REPLACE BUT NOT BE REPLACED BY 162T1136-044 -041, -010, -006 OR -002 T/W 2 EA 162T1602-1, 2 EA 162T1603-1, 8 EA BACW10BP5APU, 4 EA NAS6705-7, 4 EA BACN10JC5 FOR CUSTOMERS NOT USING TIRE PRESSURE INDICATOR SYSTEM (TPIS) WITH CUSTOMER APPROVAL) (REF CMM 32-21-47) (OPT ITEM 227V) (CONT AT ITEM 228N)	BC,E G-EJ, EM	1

32-21-21

 ILLUSTRATED PARTS LIST
 01.101 Page 1048J
 Nov 01/05


BOEING
 COMPONENT
 MAINTENANCE MANUAL

FIG. & ITEM	PART NO.	AIRLINE PART NUMBER	NOMENCLATURE 1234567	EFF CODE	QTY PER ASSY
01- -226Q	162T1136-021		.COMPONENT ASSY- (162T1136-073, -040, -021 T/W 2 EA 162T1621-1 2 EA 162T1622-1 WITH IMPROVED NOSE GEAR STEERING ANGLE INDICATOR MAY REPLACE BUT NOT BE REPLACED BY 162T1136-042 -009, -005, -001 T/W 2 EA 162T1602-1, 2 EA 162T1603-1, 8 EA BACW10BP5APU, 4 EA NAS6705-7, 4 EA BACN10JC5 FOR CUSTOMER NOT USING TIRE PRESSURE INDICATOR SYSTEM (TPIS) WITH CUSTOMER APPROVAL) (162T1136-073, -040, -021 T/W 2 EA 162T1621-1 2 EA 162T1622-1 WITHOUT QUICK DISCONNECT (QD) FEATURE AND IMPROVED NOSE GEAR STEERING ANGLE INDICATOR MAY REPLACE BUT NOT BE REPLACED BY 162T1136-044, -041, -010 -006 OR -002 T/W 2 EA 162T1602-1, 2 EA 162T1603-1, 8 EA BACW10BP5APU, 4 EA NAS6705-7, 4 EA BACN10JC5 WITH QD FEATURE FOR CUSTOMERS NOT USING TIRE PRESSURE INDICATOR SYSTEM (TPIS) WITH CUSTOMER APPROVAL) (REF CMM 32-21-47) (CONT AT ITEM 228S)	EK	1

32-21-21

 ILLUSTRATED PARTS LIST
 01.101 Page 1048K
 Nov 01/05

FIG. & ITEM	PART NO.	AIRLINE PART NUMBER	NOMENCLATURE	EFF CODE	QTY PER ASSY
01- -226R	162T1136-022		1234567 .COMPONENT ASSY- (162T1136-072, -035, -033, -022, -019, -018, -014 OR -013 T/W 2 EA 162T1621-1, 2 EA 162T1622-1 MAY REPLACE BUT NOT BE REPLACED BY 162T1136-042, -009, -005 OR -001 T/W 2 EA 162T1602-1, 2 EA 162T1603-1, 8 EA BACW10BP5APU, 4 EA NAS6705-7, 4 EA BACN10JC5 FOR CUSTOMERS NOT USING TIRE PRESSURE INDICATOR SYSTEM (TPIS) WITH CUSTOMER APPROVAL) (162T1136-072, -035, -033, -022, -019, -018, -014 OR -013 T/W 2 EA 162T1621-1, 2 EA 162T1622-1 WITHOUT QUICK DISCONNECT (QD) MAY REPLACE BUT NOT BE REPLACED BY 162T1136-044 -041, -010, -006 OR -002 T/W 2 EA 162T1602-1, 2 EA 162T1603-1, 8 EA BACW10BP5APU, 4 EA NAS6705-7, 4 EA BACN10JC5 FOR CUSTOMERS NOT USING TIRE PRESSURE INDICATOR SYSTEM (TPIS) WITH CUSTOMER APPROVAL) (REF CMM 32-21-47) (CONT AT ITEM 228T)	DB	1

32-21-21

 ILLUSTRATED PARTS LIST
 01.101 Page 1048L
 Nov 01/05

BOEING
 COMPONENT
 MAINTENANCE MANUAL

FIG. & ITEM	PART NO.	AIRLINE PART NUMBER	NOMENCLATURE	EFF CODE	QTY PER ASSY
01-226S	162T1100-32		1234567 .COMPONENT ASSY-(162T1100-34,-32 OR -29 T/W 2 EA 162T1621-1,-2 EA 162T1622-1 MAY REPL BUT NOT BE REPLD BY 162T1100-6 T/W 2 EA 162T1602-1,-2 EA 162T1603-1,-8 EA BACW10BP5APU, 4 EA NAS6705-7, 4 EA BACN10JC5 FOR CUST NOT USING TPIS AND HAS INCORP SB767-32-0039)(162T1100-34,-32 OR -29 T/W 2 EA T/W 2 EA 162T1621-1, 2 EA162T1622-1 WITHOUT QUICK DISCONNECT (QD) MAY REPL BUT NOT BE REPLD BY 162T1100-7 T/W 2 EA 162T1602-1, 2 EA 162T1603-1, 8 EA BACW10BP5APU, 4 EA NAS6705-7, 4 EA BACN10JC5 WITH QD FOR CUST NOT USING TPIS AND HAS INCORP SB767-32-0039 WITH CUST APPROVAL)(162T1100-38,-33 OR -30 T/W 2 EA 162T1621-1, 2 EA 162T1622-1 MAY REPL BUT NOT BE REPLD BY 162T1100-8 T/W 2 EA 162T1602-1, 2 EA 162T1603-1, 8 EA BACW10BP5APU, 4 EA NAS6705-7, 4 EA BACN10JC5 THAT HAS HIGH PRESSURE CHARGING VALVE FOR CUST NOT USING TIRE PRESSURE INDICATOR (TPIS) AND INCORP SB767-32-0039 WITH CUST APPROVAL)(REF CMM 32-21-43)(CONT AT ITEM 232J)	CE-CJ	1

32-21-21

ILLUSTRATED PARTS LIST
 01.101 Page 1048M
 Nov 01/05

FIG. & ITEM	PART NO.	AIRLINE PART NUMBER	NOMENCLATURE 1234567	EFF CODE	QTY PER ASSY
01- -226T	162T1100-33		.COMPONENT ASSY- (162T1100-38, -33 OR -30 T/W 2 EA 162T1621-1, 2 EA 162T1622-1 WITH QUICK DISCONNECT (QD) MAY REPLACE BUT NOT BE REPLACED BY 162T1100-6 T/W 2 EA 162T1602-1, 2 EA 162T1603-1, 8 EA BACW10BP5APU, 4 EA NAS6705-7, 4 EA BACN10JC5 WITHOUT QD FOR CUSTOMER NOT USING TPIS AND HAS INCORPORATED SB767-32-0039 WITH CUSTOMER APPROVAL) (162T1100-38, -33 OR -30 T/W 2EA 162T1621-1, 2 EA 162T1622-1 MAY REPLACE BUT NOT BE REPLACED BY 162T1100-7 T/W 2 EA 162T1602-1, 2 EA 162T1603-1, 8 EA BACW10BP5APU, 4 EA NAS6705-7, 4 EA BACN10JC5 FOR CUSTOMER NOT USING TIRE PRESSURE INDICATOR SYSTEM (TPIS) AND HAS INCORPORATED SB767-32-0039 WITH CUSTOMER APPROVAL) (REF CMM 32-21-43) (CONT AT ITEM 232G)	W,C K-CR	1
-226U	162T1100-34		DELETED		
-226V	162T1136-023		DELETED		
-226W	162T1136-024		DELETED		
-226X	162T1136-025		DELETED		
-226Y	162T1136-026		DELETED		
-226Z	162T1136-027		DELETED		
-227	162T1136-028		DELETED		
-227A	162T1136-029		DELETED		

32-21-21

 ILLUSTRATED PARTS LIST
 01.101 Page 1048N
 Nov 01/05


BOEING
 COMPONENT
 MAINTENANCE MANUAL

FIG. & ITEM	PART NO.	AIRLINE PART NUMBER	NOMENCLATURE 1234567	EFF CODE	QTY PER ASSY
01- -227B	162T1136-030		.COMPONENT ASSY- (162T1136-075,-074,-070, -068, -038, -030, -020, -017, -012, -008 OR -004 T/W 2 EA 162T1621-1, 2 EA 162T1622-1, WITH QUICK DISCONNECT (QD) FEATURE MAY REPLACE BUT NOT BE REPLACED BY 162T1136-042, -009, -005 OR -001 T/W 2 EA 162T1602-1, 2 EA 162T1603-1, 8 EA BACW10BP5APU, 4 EA NAS6705-7, 4 EA BACN10JC5 FOR CUSTOMERS NOT USING TIRE PRESSURE INDICATOR SYSTEM (TPIS) AND WITHOUT QD FEATURE WITH CUSTOMER APPROVAL) (162T1136-075, -074, -070, -068, -038, -030, -020, -017, -012, -008 OR -004 T/W 2 EA 162T1621-1, 2 EA 162T1622-1, MAY REPLACE BUT NOT BE REPLACED BY 162T1136-044, -041, -010 -006 OR -002 T/W 2 EA 162T1602-1, 2 EA 162T1603-1, 8 EA BACW10BP5APU, 4 EA NAS6705-7, 4 EA BACN10JC5 FOR CUSTOMERS NOT USING TIRE PRESSURE INDICATOR SYSTEM (TPIS) WITH CUSTOMER APPROVAL) (REF CMM 32-21-47) (CONT AT ITEM 228M)	DK	1
-227C	162T1136-031		DELETED		
-227D	162T1136-032		DELETED		

32-21-21

 ILLUSTRATED PARTS LIST
 01.101 Page 10480
 Nov 01/05

FIG. & ITEM	PART NO.	AIRLINE PART NUMBER	NOMENCLATURE 1234567	EFF CODE	QTY PER ASSY
01- -227E	162T1136-033		.COMPONENT ASSY- (162T1136-075, -074, -070, -068, -038, -030, -020, -017, -012, -008, OR -004 WITH QUICK DISCONNECT (QD) FEATURE IS I/W 162T1136-072, -035, -033, -022, -019, -018, -014 OR -013 WITHOUT QD FEATURE WITH CUSTOMER APPROVAL) (REF CMM 32-21-47)	DS	1
-227F	162T1136-034		DELETED		
-227G	162T1136-035		.COMPONENT ASSY- (REF CMM 32-21-47)	DT	1
-227H	162T1136-037		DELETED		

32-21-21

 ILLUSTRATED PARTS LIST
 01.101 Page 1048P
 Nov 01/05


BOEING
 COMPONENT
 MAINTENANCE MANUAL

FIG. & ITEM	PART NO.	AIRLINE PART NUMBER	NOMENCLATURE	EFF CODE	QTY PER ASSY
01- -227J	162T1136-038		1234567 .COMPONENT ASSY- (162T1136-075,-074, -070 -068, -038, -030, -020, -017, -012, -008 OR -004 T/W 2 EA 162T1621-1, 2 EA 162T1622-1, WITH QUICK DISCONNECT (QD) FEATURE MAY REPLACE BUT NOT BE REPLACED BY 162T1136-042, -009, -005 OR -001 T/W 2 EA 162T1602-1, 2 EA 162T1603-1, 8 EA BACW10BP5APU, 4 EA NAS6705-7, 4 EA BACN10JC5 FOR CUSTOMERS NOT USING TIRE PRESSURE INDICATOR SYSTEM (TPIS) AND WITHOUT QD FEATURE WITH CUSTOMER APPROVAL) (162T1136-075, -074, -070, -068, -038, -030, -020, -017, -012, -008 OR -004 T/W 2 EA 162T1621-1, 2 EA 162T1622-1, MAY REPLACE BUT NOT BE REPLACED BY 162T1136-044, -041, -010 -006 OR -002 T/W 2 EA 162T1602-1, 2 EA 162T1603-1, 8 EA BACW10BP5APU, 4 EA NAS6705-7, 4 EA BACN10JC5 FOR CUSTOMERS NOT USING TIRE PRESSURE INDICATOR SYSTEM (TPIS) WITH CUSTOMER APPROVAL) (REF CMM 32-21-47) (CONT AT ITEM 228L)	DU-EA	1
-227K	162T1136-039		DELETED		

32-21-21

 ILLUSTRATED PARTS LIST
 01.101 Page 1048Q
 Nov 01/05

FIG. & ITEM	PART NO.	AIRLINE PART NUMBER	NOMENCLATURE 1234567	EFF CODE	QTY PER ASSY
01- -227L	162T1136-040		.COMPONENT ASSY- (162T1136-072, -035, -033, -022, -019, -018, -014 OR -013 I/W 162T1136-073, -040 OR -021 WITH IMPROVED NOSE GEAR STEERING ANGLE INDICATOR WITH CUSTOMER APPROVAL) (162T1136-075, -074, -070, -068, -038, -030, -020, -017, -008, -004 WITH QUICK DISCONNECT (QD) FEATURE IS I/W 162T1136-073, -040, -021 WITHOUT QD FEATURE AND INCLUDES IMPROVED NOSE GEAR STEERING ANGLE INDICATOR WITH CUSTOMER APPROVAL) (162T1136-075, -074, -070, -068, -038, -030, -017, -017, -012, -008 OR -004 WITH QUICK DISCONNECT (QD) FEATURE IS I/W 162T1136-073, -040, -021 WITHOUT QD FEATURE AND INCLUDES IMPROVED NOSE GEAR STEERING ANGLE INDICATOR WITH CUSTOMER APPROVAL) (REF CMM 32-21-47)	EC	1

32-21-21

 ILLUSTRATED PARTS LIST
 01.101 Page 1048R
 Nov 01/05


BOEING
 COMPONENT
 MAINTENANCE MANUAL

FIG. & ITEM	PART NO.	AIRLINE PART NUMBER	NOMENCLATURE 1234567	EFF CODE	QTY PER ASSY
01- -227M	162T1100-35		.COMPONENT ASSY- (162T1100-37, -35, -21, -17, -13 OR -10 WITH QUICK DISCONNECT (QD) MAY REPLACE BUT NOT BE REPLACED BY 162T1100-6 WITHOUT QD AFTER SB767-32-0039 IS INCORPORATED WITH CUSTOMER APPROVAL) (162T1100-37 MAY REPLACE BUT NOT BE REPLACED BY 162T1100-7 FOR CUSTOMER WITH SB767-32-0039 INCORPORATED\$ (162T1100-37, -35, -21, -17, -13 OR -10 MAY REPLACE BUT NOT BE REPLACED BY 162T1100-8 WITH HIGH PRESSURE CHARGING VALVE AFTER SB767-32-0039 IS INCORPORATED WITH CUSTOMER APPROVAL) (162T1100-37, -35, -21, -17, -13 OR -10 WITH QUICK DISCONNECT (QD) I/W 162T1100-36, -20, -12, -9 WITHOUT QD WITH CUSTOMER APPROVAL) (REF CMM 32-21-43) (CONT AT ITEM 233G)	EQ	1

32-21-21

 ILLUSTRATED PARTS LIST
 01.101 Page 1048S
 Nov 01/05

FIG. & ITEM	PART NO.	AIRLINE PART NUMBER	NOMENCLATURE	EFF CODE	QTY PER ASSY
01- -227N	162T1100-36		1234567 .COMPONENT ASSY- (REF CMM 32-21-43) (162T1100-36, -20, -12 OR -9 WITHOUT QUICK DISCONNECT (QD) MAY REPLACE BUT NOT BE REPLACED BY 162T1100-7 WITH QD AFTER SB767-32-0039 IS INCORPORATED WITH CUSTOMER APPROVAL) (162T1100-36, -20, -12 OR -9 WITHOUT QUICK DISCONNECT (QD) MAY REPLACE BUT NOT BE REPLACED BY 162T1100-8 WITH QD AND HIGH PRESSURE CHARGING VALVE AFTER SB767-32-0039 IS INCORPORATED AND WITH CUSTOMER APPROVAL) (162T1100-37, -35, -21, -17, -13 OR -10 WITH QUICK DISCONNECT (QD) I/W 162T1100-36, -20, -12, -9 WITHOUT QD WITH CUSTOMER APPROVAL) (CONT AT ITEM 233)	CQ	1

32-21-21

 ILLUSTRATED PARTS LIST
 01.101 Page 1048T
 Nov 01/05


BOEING
 COMPONENT
 MAINTENANCE MANUAL

FIG. & ITEM	PART NO.	AIRLINE PART NUMBER	NOMENCLATURE 1234567	EFF CODE	QTY PER ASSY
01- -227P	162T1100-37		.COMPONENT ASSY- (162T1100-37 MAY REPLACE BUT NOT BE REPLACED BY 162T1100-7 FOR CUSTOMER WITH SB767-32-0039 INCORPORATED) (162T1100-37, -35, -21, -17, -13 OR -10 MAY REPLACE BUT NOT BE REPLACED BY 162T1100-8 WITH HIGH PRESSURE CHARGING VALVE AFTER SB767-32-0039 IS INCORPORATED WITH CUSTOMER APPROVAL) (162T1100-37, -35, -21, -17, -13 OR -10 WITH QUICK DISCONNECT (QD) I/W 162T1100-36, -20, -12, -9 WITHOUT QD WITH CUSTOMER APPROVAL) (162T1100-37, -35, -21, -17, -13 OR -10 WITH QUICK DISCONNECT (QD) MAY REPLACE BUT NOT BE REPLACED BY 162T1100-6 WITHOUT QD AFTER SB767-32-0039 IS INCORPORATED WITH CUSTOMER APPROVAL) (REF CMM 32-21-43) (CONT AT ITEM 233F)	CZ	1

32-21-21

 ILLUSTRATED PARTS LIST
 01.101 Page 1048U
 Nov 01/05

FIG. & ITEM	PART NO.	AIRLINE PART NUMBER	NOMENCLATURE	EFF CODE	QTY PER ASSY
01- -227Q	162T1136-043		1234567 .COMPONENT ASSY- (162T1136-042, -009, -005 OR -001 I/W 162T1136-043, -011, -007 OR -003 WITH IMPROVED NOSE GEAR STEERING ANGLE INDICATOR WITH CUSTOMER APPROVAL) (162T1136-044, -041, -010, -006 OR -002 WITH QUICK DISCONNECT (QD) FEATURE IS I/W 162T1136-043, -011, -007 OR -003 WITHOUT QD FEATURE AND INCLUDE IMPROVED NOSE GEAR STEERING ANGLE INDICATOR WITH CUSTOMER APPROVAL) (REF CMM 32-21-47) (CONT AT ITEM 231V)	DF	1

32-21-21

 ILLUSTRATED PARTS LIST
 01.101 Page 1048V
 Nov 01/05

BOEING
 COMPONENT
 MAINTENANCE MANUAL

FIG. & ITEM	PART NO.	AIRLINE PART NUMBER	NOMENCLATURE	EFF CODE	QTY PER ASSY
01-227R	162T1136-044		1234567 .COMPONENT ASSY- (162T1136-044, -041, -010, -006 OR -002 WITH QUICK DISCONNECT (QD) FEATURE IS I/W 162T1136-042, -009, -005 OR -001 WITHOUT QD FEATURE WITH CUSTOMER APPROVAL) (162T1136-044, -041, -010, -006 OR -002 WITH QUICK DISCONNECT (QD) FEATURE IS I/W 162T1136-043, -011, -007 OR -003 WITHOUT QD FEATURE AND INCLUDE IMPROVED NOSE GEAR STEERING ANGLE INDICATOR WITH CUSTOMER APPROVAL) (162T1136-075, -074, -070, -068, -038, -030, -020, -017, -012, -008 OR -004 T/W 2 EA 162T1621-1, 2 EA 162T1622-1, MAY REPLACE BUT NOT BE REPLACED BY 162T1136-044, -041, -010 -006 OR -002 T/W 162T1602-1, 2 EA 162T1603-1, 8 EA BACW10BP5APU, 4 EA NAS6705-7, 4 EA BACN10JC5 FOR CUSTOMERS NOT USING TIRE PRESSURE INDICATOR SYSTEM (TPIS) WITH CUSTOMER APPROVAL) (REF CMM 32-21-47) (CONT AT ITEM 228Y)	DG	1

32-21-21

ILLUSTRATED PARTS LIST
 01.101 Page 1048W
 Nov 01/05

FIG. & ITEM	PART NO.	AIRLINE PART NUMBER	NOMENCLATURE	EFF CODE	QTY PER ASSY
01- -227S	162T1136-042		1234567 .COMPONENT ASSY- (162T1136-044, -041, -010, -006 OR -002 WITH QUICK DISCONNECT (QD) FEATURE IS I/W 162T1136-042, -009, -005 OR -001 WITHOUT QD FEATURE WITH CUSTOMER APPROVAL) (162T1136-042, -009, -005 OR -001 I/W 162T1136-043, -011, -007 OR -003 WITH IMPROVED NOSE GEAR STEERING ANGLE INDICATOR WITH CUSTOMER APPROVAL) (REF CMM 32-21-47) (CONT AT ITEM 230M)	DP	1

32-21-21

 ILLUSTRATED PARTS LIST
 01.101 Page 1048X
 Nov 01/05


BOEING
 COMPONENT
 MAINTENANCE MANUAL

FIG. & ITEM	PART NO.	AIRLINE PART NUMBER	NOMENCLATURE 1234567	EFF CODE	QTY PER ASSY
01- -227T	162T1136-041		.COMPONENT ASSY- (162T1136-044, -041, -010, -006 OR -002 WITH QUICK DISCONNECT (QD) FEATURE IS I/W 162T1136-042, -009, -005 OR -001 WITHOUT QD FEATURE WITH CUSTOMER APPROVAL) (162T1136-044, -041, -010, -006 OR -002 WITH QUICK DISCONNECT (QD) FEATURE IS I/W 162T1136-043, -011, -007 -003 WITHOUT QD FEATURE AND INCLUDE IMPROVED NOSE GEAR STEERING ANGLE INDICATOR WITH CUSTOMER APPROVAL) (162T1136-075, -074, -070, -068, -038, -030, -020, -017, -012, -008 OR -004 T/W 2 EA 162T1621-1, 2 EA 162T1622-1, MAY REPLACE BUT NOT BE REPLACED BY 162T1136-044, -041, -010 -006 OR -002 T/W 162T1602-1, 2 EA 162T1603-1, 8 EA BACW10BP5APU, 4 EA NAS6705-7, 4 EA BACN10JC5 FOR CUSTOMERS NOT USING TIRE PRESSURE INDICATOR SYSTEM (TPIS) WITH CUSTOMER APPROVAL) (REF CMM 32-21-47) (CONT AT ITEM 228Z)	DN	1

32-21-21

 ILLUSTRATED PARTS LIST
 01.101 Page 1048Y
 Nov 01/05

FIG. & ITEM	PART NO.	AIRLINE PART NUMBER	NOMENCLATURE	EFF CODE	QTY PER ASSY
01- -227U	162T1100-30		1234567 .COMPONENT ASSY- (162T1100-38, -33 OR -30 T/W 2 EA 162T1621-1, 2 EA 162T1622-1 WITH QUICK DISCONNECT (QD) MAY REPLACE BUT NOT BE REPLACED BY 162T1100-6 T/W 2 EA 162T1602-1, 2 EA 162T1603-1, 8 EA BACW10BP5APU, 4 EA NAS6705-7, 4 EA BACN10JC5 WITHOUT QD FOR CUSTOMER NOT USING TPIS AND HAS INCORPORATED SB767-32-0039 WITH CUSTOMER APPROVAL) (162T1100-38, -33 OR -30 T/W 2 EA 162T1621-1, 2 EA 162T1622-1 MAY REPLACE BUT NOT BE REPLACED BY 162T1100-7 T/W 2 EA 162T1602-1, 2 EA 162T1603-1, 8 EA BACW10BP5APU, 4 EA NAS6705-7, 4 EA BACN10JC5 FOR CUSTOMER NOT USING TIRE PRESSURE INDICATOR SYSTEM (TPIS) AND HAS INCORPORATED SB767-32-0039 WITH CUSTOMER APPROVAL) (REF CMM 32-21-43) (CONT AT ITEM 232H)	BD	1

32-21-21

 ILLUSTRATED PARTS LIST
 01.101 Page 1048Z
 Nov 01/05


BOEING
 COMPONENT
 MAINTENANCE MANUAL

FIG. & ITEM	PART NO.	AIRLINE PART NUMBER	NOMENCLATURE	EFF CODE	QTY PER ASSY
01- -227V	162T1136-038		1234567 .COMPONENT ASSY- (162T1136-075,-074,-070, -068, -038, -030, -020, -017, -012, -008 OR -004 T/W 2 EA 162T1621-1, 2 EA 162T1622-1, WITH QUICK DISCONNECT (QD) FEATURE MAY REPLACE BUT NOT BE REPLACED BY 162T1136-042, -009, -005 OR -001 T/W 2 EA 162T1602-1, 2 EA 162T1603-1,8 EA BACW10BP5APU, 4 EA NAS6705-7, 4 EA BACN10JC5 FOR CUSTOMERS NOT USING TIRE PRESSURE INDICATOR SYSTEM (TPIS) AND WITHOUT QD FEATURE WITH CUSTOMER APPROVAL) (162T1136-075, -074, -070, -068, -038, -030, -020, -017, -012, -008 OR -004 T/W 2 EA 162T1621-1, 2 EA 162T1622-1, MAY REPLACE BUT NOT BE REPLACED BY 162T1136-044, -041, -010 -006 OR -002 T/W 2 EA 162T1602-1, 2 EA 162T1603-1, 8 EA BACW10BP5APU, 4 EA NAS6705-7, 4 EA BACN10JC5 FOR CUSTOMERS NOT USING TIRE PRESSURE INDICATOR SYSREM (TPIS) WITH CUSTOMER APPROVAL) (REF CMM 32-21-47) (OPT ITEM 226P) (CONT AT ITEM 228R)	BC,E G-EJ, EM	1

32-21-21

ILLUSTRATED PARTS LIST

01.101

Page 1049

Nov 01/05

FIG. & ITEM	PART NO.	AIRLINE PART NUMBER	NOMENCLATURE	EFF CODE	QTY PER ASSY
01- -227W	162T1136-075		1234567 .COMPONENT ASSY- (162T1136-075, -074, -070 -068, -038, -030, -020, -017, -012, -008 OR -004 T/W 2 EA 162T1621-1, 2 EA 162T1622-1, WITH QUICK DISCONNECT (QD) FEATURE MAY REPLACE BUT NOT BE REPLACED BY 162T1136-042, -009, -005 OR -001 T/W 2 EA 162T1602-1, 2 EA 162T1603-1, 8 EA BACW10BP5APU, 4 EA NAS6705-7, 4 EA BACN10JC5 FOR CUSTOMERS NOT USING TIRE PRESSURE INDICATOR SYSTEM (TPIS) AND WITHOUT QD FEATURE WITH CUSTOMER APPROVAL) (162T1136-075, -074, -070, -068, -038, -030, -020, -017, -012, -008 OR -004 T/W 2 EA 162T1621-1, 2 EA 162T1622-1, MAY REPLACE BUT NOT BE REPLACED BY 162T1136-044, -041, -010 -006 OR -002 T/W 2 EA 162T1602-1, 2 EA 162T1603-1, 8 EA BACW10BP5APU, 4 EA NAS6705-7, 4 EA BACN10JC5 FOR CUSTOMERS NOT USING TIRE PRESSURE INDICATOR SYSTEM (TPIS) WITH CUSTOMER APPROVAL) (REF CMM 32-21-47) (CONT AT ITEM 228K)	AY	1

32-21-21

 ILLUSTRATED PARTS LIST
 01.101 Page 1050
 Nov 01/05


BOEING
 COMPONENT
 MAINTENANCE MANUAL

FIG. & ITEM	PART NO.	AIRLINE PART NUMBER	NOMENCLATURE	EFF CODE	QTY PER ASSY
01- -227X	162T1136-001		1234567 .COMPONENT ASSY- (CONT FROM ITEM 225K) (162T1136-072, -035, -033, -022, -019, -018, -014 OR -013 T/W 2 EA 162T1622-1 MAY REPLACE BUT NOT BE REPLACED BY 162T1136-042, -009, -005 OR -001 T/W 2 EA 162T1602-1, 2 EA 162T1603-1, 8 EA BACW10BP5APU, 4 EA NAS6705-7, 4 EA BACN10JC5 FOR CUSTOMERS NOT USING TIRE PRESSURE INDICATOR SYSTEM (TPIS) WITH CUSTOMER APPROVAL) (162T1136-075, 074, -070 -068, -038, -030, -020, -017 -012, -008 OR -004 T/W 2 EA 162T1621-1, 2 EA 162T1622-1 WITH QUICK DISCONNECT (QD) FEATURE MAY REPLACE BUT NOT BE REPLACED BY 162T1136-042 -009, -005 OR -001 T/W 2 EA 162T1602-1, 2 EA 162T1603-1, 8 EA BACW10BP5APU 4 EA NAS6705-7, 4 EA BACN10JC5 FOR CUSTOMERS NOT USING TIRE PRESSURE INDICATOR SYSTEM (TPIS) AND WITHOUT QD FEATURE WITH CUSTOMER APPROVAL) (-001 MAY REPLACE -13 FOR 767-200 WITH SOME WEIGHT PENALTY WITH CUSTOMER APPROVAL. -13 HAS QUICK DISCONNECT) (CONT AT ITEM 227Y)		1

32-21-21

 ILLUSTRATED PARTS LIST
 01.101 Page 1050A
 Nov 01/05

FIG. & ITEM	PART NO.	AIRLINE PART NUMBER	NOMENCLATURE 1234567	EFF CODE	QTY PER ASSY
01- -227Y	162T1136-001		.COMPONENT ASSY- (CONT FROM ITEM 227X) (162T1136-073, -040, -021 T/W 2 EA 162T1621-1 2 EA 162T1622-1 WITH IMPROVED NOSE GEAR STEERING ANGLE INDICATOR MAY REPLACE BUT NOT BE REPLACED BY 162T1136-042 -009, -005, -001 T/W 2 EA 162T1602-1, 2 EA 162T1603-1, 8 EA BACW10BP5APU, 4 EA NAS6705-7, 4 EA BACN10JC5 FOR CUSTOMER NOT USING TIRE PRESSURE INDICATOR SYSTEM (TPIS) WITH CUSTOMER APPROVAL) (162T1136-044, -041, -010, -006 OR -002 WITH QUICK DISCONNECT (QD) FEATURE IS I/W 162T1136-042, -009, -005 OR -001 WITHOUT QD FEATURE WITH CUSTOMER APPROVAL) (CONT AT ITEM 227Z)		1
-227Z	162T1136-001		.COMPONENT ASSY- (CONT FROM ITEM 227Y) (162T1136-042, -009, -005 OR -001 I/W 162T1136-043, -011, -007 OR -003 WITH IMPROVED NOSE GEAR STEERING ANGLE INDICATOR WITH CUSTOMER APPROVAL)		1

32-21-21

 ILLUSTRATED PARTS LIST
 01.101 Page 1050B
 Nov 01/05


BOEING
 COMPONENT
 MAINTENANCE MANUAL

FIG. & ITEM	PART NO.	AIRLINE PART NUMBER	NOMENCLATURE	EFF CODE	QTY PER ASSY
01- -228	162T1136-002		1234567 .COMPONENT ASSY- (COMT FROM ITEM 225L) (162T1136-073, -040, -021 T/W 2 EA 162T1621-1 2 EA 162T1622-1 WITHOUT QUICK DISCONNECT (QD) FEATURE AND IMPROVED NOSE GEAR STEERING ANGLE INDICATOR MAY REPLACE BUT NOT BE REPLACED BY 162T1136-044, -041, -010 -006 OR -002 T/W 2 EA 162T1602-1, 2 EA 162T1603-1, 8 EA BACW10BP5APU, 4 EA NAS6705-7, 4 EA BACN10JC5 WITH QD FEATURE FOR CUSTOMERS NOT USING TIRE PRESSURE INDICATOR SYSTEM (TPIS) WITH CUSTOMER APPROVAL) (162T1136-044, -041, -010, -006 OR -002 WITH QUICK DISCONNECT (QD) FEATURE IS I/W 162T1136-043, -011, -007 OR -003 WITHOUT QD FEATURE AND INCLUDE IMPROVED NOSE GEAR STEERING ANGLE INDICATOR WITH CUSTOMER APPROVAL) (CONT AT ITEM 228A)	AA,AB ,AH	1

32-21-21

 ILLUSTRATED PARTS LIST
 01.101 Page 1050C
 Nov 01/05

FIG. & ITEM	PART NO.	AIRLINE PART NUMBER	NOMENCLATURE	EFF CODE	QTY PER ASSY
01- -228A	162T1136-002		1234567 .COMPONENT ASSY- (CONT FROM ITEM 228) (162T1136-072, -035, -033, -022, -019, -018, -014 OR -013 T/W 2 EA 162T1621-1, 2 EA 162T1622-1 WITHOUT QUICK DISCONNECT (QD) MAY REPLACE BUT NOT BE REPLACED BY 162T1136-044 -041, -010, -006 OR -002 T/W 2 EA 162T1602-1, 2 EA 162T1603-1, 8 EA BACW10BP5APU, 4 EA NAS6705-7, 4 EA BACN10JC5 FOR CUSTOMERS NOT USING TIRE PRESSURE INDICATOR SYSTEM (TPIS) WITH CUSTOMER APPROVAL) (CONT AT ITEM 232V)	AA,AB ,AH	1

32-21-21

 ILLUSTRATED PARTS LIST
 01.101 Page 1050D
 Nov 01/05


BOEING
 COMPONENT
 MAINTENANCE MANUAL

FIG. & ITEM	PART NO.	AIRLINE PART NUMBER	NOMENCLATURE	EFF CODE	QTY PER ASSY
01- -228B	162T1136-008		1234567 .COMPONENT ASSY- (CONT FROM ITEM 225W) (162T1136-075, -074, -070, -068, -038, -030, -020, -017, -012, -008 OR -004 T/W 2 EA 162T1621-1, 2 EA 162T1622-1, MAY REPLACE BUT NOT BE REPLACED BY 162T1136-044, -041, -010 -006 OR -002 T/W 2 EA 162T1602-1, 2 EA 162T1603-1, 8 EA BACW10BP5APU, 4 EA NAS6705-7, 4 EA BACN10JC5 FOR CUSTOMERS NOT USING TIRE PRESSURE INDICATOR SYSTEM (TPIS) WITH CUSTOMER APPROVAL) (162T1136-075, -074, -070, -068, -038, -030, -020, -017, -012, -008 OR -004 T/W 2 EA 162T1621-1, 2 EA 162T1622-1 WITH QUICK DISCONNECT (QD) FEATURE MAY REPLACE BUT NOT BE REPLACED BY 162T1136-043 -011, -007 OR -003 T/W 2 EA 162T1602-1, 2 EA 162T1603-1, 8 EA BACW10BP5APU, 4 EA NAS6705-7, 4 EA BACN10JC5 FOR CUSTOMER NOT USING TIRE PRESSURE INDICATOR SYSTEM (TPIS) WITHOUT QD FEATURE WITH WITH IMPROVED NOSE GEAR STEERING ANGLE INDICATOR WITH CUSTOMER APPROVAL) (CONT AT ITEM 229H)		1

32-21-21

 ILLUSTRATED PARTS LIST
 01.101 Page 1050E
 Nov 01/05

FIG. & ITEM	PART NO.	AIRLINE PART NUMBER	NOMENCLATURE	EFF CODE	QTY PER ASSY
01- -228C	162T1136-003		1234567 .COMPONENT ASSY- (CONT FROM ITEM 225P) (162T1136-075, -074, -070, -068, -038, -030, -020, -017, -012, -008 OR -004 T/W 2 EA 162T1621-1, 2 EA 162T1622-1 WITH QUICK DISCONNECT (QD) FEATURE MAY REPLACE BUT NOT BE REPLACED BY 162T1136-043 -011, -007 OR -003 T/W 2 EA 162T1602-1, 2 EA 162T1603-1, 8 EA BACW10BP5APU, 4 EA NAS6705-7, 4 EA BACN10JC5 FOR CUSTOMER NOT USING TIRE PRESSURE INDICATOR SYSTEM (TPIS) WITHOUT QD FEATURE WITH IMPROVED NOSE GEAR STEERING ANGLE INDICATOR WITH CUSTOMER APPROVAL) (CONT AT ITEM 228D)		1

32-21-21

 ILLUSTRATED PARTS LIST
 01.101 Page 1050F
 Nov 01/05


BOEING
 COMPONENT
 MAINTENANCE MANUAL

FIG. & ITEM	PART NO.	AIRLINE PART NUMBER	NOMENCLATURE	EFF CODE	QTY PER ASSY
01- -228D	162T1136-003		1234567 .COMPONENT ASSY- (CONT FROM ITEM 228C) (162T1136-073, -040, -021 T/W 2 EA 162T1621-1 2 EA 162T1622-1 MAY REPLACE BUT NOT BE REPLACED BY 162T1136-043 -011, -007, -003 T/W 2 EA 162T1602-1, 2 EA 162T1603-1, 8 EA BACW10BP5APU, 4 EA NAS6705-7, 4 EA BACN10JC5 FOR CUSTOMER NOT USING TIRE PRESSURE INDICATOR SYSTEM (TPIS) WITH CUSTOMER APPROVAL) (162T1136-072, -035, -033, -022, -019, -018, -014 OR -013 T/W 2 EA 162T1621-1, 2 EA 162T1622-1 MAY REPLACE BUT NOT BE REPLACED BY 162T1136-043, -011, -007 OR -003 T/W 2 EA 162T1602-1, 2 EA 162T1603-1, 8 EA BACW10BP5APU, 4 EA NAS6705-7, 4 EA BACN10JC5 INCLUDE IMPROVED NOSE GEAR STEERING ANGLE INDICATOR FOR CUSTOMER NOT USING TIRE PRESSURE INDICATOR SYSTEM (TPIS) WITH CUSTOMER APPROVAL)		1

32-21-21

 ILLUSTRATED PARTS LIST
 01.101 Page 1050G
 Nov 01/05

FIG. & ITEM	PART NO.	AIRLINE PART NUMBER	NOMENCLATURE	EFF CODE	QTY PER ASSY
01- -228E	162T1136-014		1234567 .COMPONENT ASSY- (CONT FROM ITEM 226F) (162T1136-072, -035, -033, -022, -019, -018, -014 OR -013 T/W 2 EA 162T1621-1, 2 EA 162T1622-1 MAY REPLACE BUT NOT BE REPLACED BY 162T1136-043, -011, -007 OR -003 T/W 2 EA 162T1602-1, 2 EA 162T1603-1, 8 EA BACW10BP5APU, 4 EA NAS6705-7, 4 EA BACN10JC5 INCLUDE IMPROVED NOSE GEAR STEERING ANGLE INDICATOR FOR CUSTOMER NOT USING TIRE PRESSURE INDICATOR SYSTEM (TPIS) WITH CUSTOMER APPROVAL) (162T1136-075, -074, -070, -068, -038, -030, -020, -017, -012, -008 OR -004 WITH QUICK DISCONNECT (QD) FEATURE IS I/W 162T1136-072, -035, -033, -022, -019 -018, -014 OR -013 WITHOUT QD FEATURE WITH CUSTOMER APPROVAL) (CONT AT ITEM 229M)		1

32-21-21

 ILLUSTRATED PARTS LIST
 01.101 Page 1050H
 Nov 01/05


BOEING
 COMPONENT
 MAINTENANCE MANUAL

FIG. & ITEM	PART NO.	AIRLINE PART NUMBER	NOMENCLATURE 1234567	EFF CODE	QTY PER ASSY
01- -228F	162T1136-013		.COMPONENT ASSY- (CONT FROM ITEM 226E) (162T1136-072, -035, -033, -022, -019, -018, -014 OR -013 T/W 2 EA 162T1621-1, 2 EA 162T1622-1 MAY REPLACE BUT NOT BE REPLACED BY 162T1136-043, -011, -007 OR -003 T/W 2 EA 162T1602-1, 2 EA 162T1603-1, 8 EA BACW10BP5APU, 4 EA NAS6705-7, 4 EA BACN10JC5 INCLUDE IMPROVED NOSE GEAR STEERING ANGLE INDICATOR FOR CUSTOMER NOT USING TIRE PRESSURE INDICATOR SYSTEM (TPIS) WITH CUSTOMER APPROVAL) (162T1136-075, -074, -070, -068, -038, -030, -020, -017, -012, -008 OR -004 WITH QUICK DISCONNECT (QD) FEATURE IS I/W 162T1136-072, -035, -033, -022, -019, -018, -014 OR -013 WITHOUT QD FEATURE WITH CUSTOMER APPROVAL) (CONT AT ITEM 229K)		1

32-21-21

 ILLUSTRATED PARTS LIST
 01.101 Page 1050I
 Nov 01/05

FIG. & ITEM	PART NO.	AIRLINE PART NUMBER	NOMENCLATURE	EFF CODE	QTY PER ASSY
01- -228G	162T1136-035		1234567 .COMPONENT ASSY- (CONT FROM ITEM 227G) (162T1136-072, -035, -033, -022, -019, -018, -014 OR -013 T/W 2 EA 162T1621-1, 2 EA 162T1622-1 MAY REPLACE BUT NOT BE REPLACED BY 162T1136-043, -011, -007 OR -003 T/W 2 EA 162T1602-1, 2 EA 162T1603-1, 8 EA BACW10BP5APU, 4 EA NAS6705-7, 4 EA BACN10JC5 INCLUDE IMPROVED NOSE GEAR STEERING ANGLE INDICATOR FOR CUSTOMER NOT USING TIRE PRESSURE INDICATOR SYSTEM (TPIS) WITH CUSTOMER APPROVAL) (162T1136-075, -074, -070, -068, -038, -030, -020, -017, -012, -008 OR -004 WITH QUICK DISCONNECT (QD) FEATURE IS I/W 162T1136-072, -035, -033, -022, -019, -018, -014 OR -013 WITHOUT QD FEATURE WITH CUSTOMER APPROVAL) (CONT AT ITEM 229N)		1

32-21-21

 ILLUSTRATED PARTS LIST
 01.101 Page 1050J
 Nov 01/05


BOEING
 COMPONENT
 MAINTENANCE MANUAL

FIG. & ITEM	PART NO.	AIRLINE PART NUMBER	NOMENCLATURE 1234567	EFF CODE	QTY PER ASSY
01- -228H	162T1136-019		.COMPONENT ASSY- (CONT FROM ITEM 226N) (162T1136-072, -035, -033, -022, -019, -018, -014 OR -013 T/W 2 EA 162T1621-1, 2 EA 162T1622-1 MAY REPLACE BUT NOT BE REPLACED BY 162T1136-043, -011, -007 OR -003 T/W 2 EA 162T1602-1, 2 EA 162T1603-1, 8 EA BACW10BP5APU, 4 EA NAS6705-7, 4 EA BACN10JC5 INCLUDE IMPROVED NOSE GEAR STEERING ANGLE INDICATOR FOR CUSTOMER NOT USING TIRE PRESSURE INDICATOR SYSTEM (TPIS) WITH CUSTOMER APPROVAL) (162T1136-075, -074, -070, -068, -038, -030, -020, -017, -012, -008 OR -004 WITH QUICK DISCONNECT (QD) FEATURE IS I/W 162T1136-072, -035, -033, -022, -019, -018, -014 OR -013 WITHOUT QD FEATURE WITH CUSTOMER APPROVAL) (CONT AT ITEM 229Q)		1

32-21-21

 ILLUSTRATED PARTS LIST
 01.101 Page 1050K
 Nov 01/05

FIG. & ITEM	PART NO.	AIRLINE PART NUMBER	NOMENCLATURE 1234567	EFF CODE	QTY PER ASSY
01- -228J	162T1136-018		.COMPONENT ASSY- (CONT FROM ITEM 226M) (162T1136-072, -035, -033, -022, -019, -018, -014 OR -013 T/W 2 EA 162T1621-1, 2 EA 162T1622-1 MAY REPLACE BUT NOT BE REPLACED BY 162T1136-043, -011, -007 OR -003 T/W 2 EA 162T1602-1, 2 EA 162T1603-1, 8 EA BACW10BP5APU, 4 EA NAS6705-7, 4 EA BACN10JC5 INCLUDE IMPROVED NOSE GEAR STEERING ANGLE INDICATOR FOR CUSTOMER NOT USING TIRE PRESSURE INDICATOR SYSTEM (TPIS) WITH CUSTOMER APPROVAL) (162T1136-075, -074, -070, -068, -038, -030, -020, -017, -012, -008 OR -004 WITH QUICK DISCONNECT (QD) FEATURE IS I/W 162T1136-072, -035, -033, -022, -019, -018, -014 OR -013 WITHOUT QD FEATURE WITH CUSTOMER APPROVAL) (CONT AT ITEM 229R)		1

32-21-21

 ILLUSTRATED PARTS LIST
 01.101 Page 1050L
 Nov 01/05


BOEING
 COMPONENT
 MAINTENANCE MANUAL

FIG. & ITEM	PART NO.	AIRLINE PART NUMBER	NOMENCLATURE 1234567	EFF CODE	QTY PER ASSY
01- -228K	162T1136-075		.COMPONENT ASSY- (CONT FROM ITEM 227W) (162T1136-075, -074, -070, -068, -038, -030, -020, -017, -012, -008 OR -004 T/W 2 EA 162T1621-1, 2 EA 162T1622-1 WITH QUICK DISCONNECT (QD) FEATURE MAY REPLACE BUT NOT BE REPLACED BY 162T1136-043 -011, -007 OR -003 T/W 2 EA 162T1602-1, 2 EA 162T1603-1, 8 EA BACW10BP5APU, 4 EA NAS6705-7, 4 EA BACN10JC5 FOR CUSTOMER NOT USING TIRE PRESSURE INDICATOR SYSTEM (TPIS) WITHOUT QD FEATURE WITH IMPROVED NOSE GEAR STEERING ANGLE INDICATOR WITH CUSTOMER APPROVAL) (CONT AT ITEM 230C)		1

32-21-21

 ILLUSTRATED PARTS LIST
 01.101 Page 1050M
 Nov 01/05

FIG. & ITEM	PART NO.	AIRLINE PART NUMBER	NOMENCLATURE 1234567	EFF CODE	QTY PER ASSY
01- -228L	162T1136-038		.COMPONENT ASSY- (CONT FROM ITEM 227J) (162T1136-075, -074, -070, -068, -038, -030, -020, -017, -012, -008 OR -004 T/W 2 EA 162T1621-1, 2 EA 162T1622-1 WITH QUICK DISCONNECT (QD) FEATURE MAY REPLACE BUT NOT BE REPLACED BY 162T1136-043 -011, -007 OR -003 T/W 2 EA 162T1602-1, 2 EA 162T1603-1, 8 EA BACW10BP5APU, 4 EA NAS6705-7, 4 EA BACN10JC5 FOR CUSTOMER NOT USING TIRE PRESSURE INDICATOR SYSTEM (TPIS) WITHOUT QD FEATURE WITH IMPROVED NOSE GEAR STEERING ANGLE INDICATOR WITH CUSTOMER APPROVAL) (CONT AT ITEM 230D)		1

32-21-21

 ILLUSTRATED PARTS LIST
 01.101 Page 1050N
 Nov 01/05


BOEING
 COMPONENT
 MAINTENANCE MANUAL

FIG. & ITEM	PART NO.	AIRLINE PART NUMBER	NOMENCLATURE 1234567	EFF CODE	QTY PER ASSY
01- -228M	162T1136-030		.COMPONENT ASSY- (CONT FROM ITEM 227B) (162T1136-075, -074, 070 -068, -038, -030, -020, -017, -012, -008 OR -004 T/W 2 EA 162T1621-1, 2 EA 162T1622-1 WITH QUICK DISCONNECT (QD) FEATURE MAY REPLACE BUT NOT BE REPLACED BY 162T1136-043 -011, -007 OR -003 T/W 2 EA 162T1602-1, 2 EA 162T1603-1, 8 EA BACW10BP5APU, 4 EA NAS6705-7, 4 EA BACN10JC5 FOR CUSTOMER NOT USING TIRE PRESSURE INDICATOR SYSTEM (TPIS) WITHOUT QD FEATURE WITH IMPROVED NOSE GEAR STEERING ANGLE INDICATOR WITH CUSTOMER APPROVAL) (CONT AT ITEM 229V)		1

32-21-21

 ILLUSTRATED PARTS LIST
 01.101 Page 10500
 Nov 01/05

FIG. & ITEM	PART NO.	AIRLINE PART NUMBER	NOMENCLATURE 1234567	EFF CODE	QTY PER ASSY
01- -228N	162T1136-020		.COMPONENT ASSY- (CONT FROM ITEM 226P) (162T1136-075, -074, -070, -068, -038, -030, -020, -017, -012, -008 OR -004 T/W 2 EA 162T1621-1, 2 EA 162T1622-1 WITH QUICK DISCONNECT (QD) FEATURE MAY REPLACE BUT NOT BE REPLACED BY 162T1136-043 -011, -007 OR -003 T/W 2 EA 162T1602-1, 2 EA 162T1603-1, 8 EA BACW10BP5APU, 4 EA NAS6705-7, 4 EA BACN10JC5 FOR CUSTOMER NOT USING TIRE PRESSURE INDICATOR SYSTEM (TPIS) WITHOUT QD FEATURE WITH IMPROVED NOSE GEAR STEERING ANGLE INDICATOR WITH CUSTOMER APPROVAL) (CONT AT ITEM 229X)		1

32-21-21

 ILLUSTRATED PARTS LIST
 01.101 Page 1050P
 Nov 01/05


BOEING
 COMPONENT
 MAINTENANCE MANUAL

FIG. & ITEM	PART NO.	AIRLINE PART NUMBER	NOMENCLATURE	EFF CODE	QTY PER ASSY
01- -228P	162T1136-017		1234567 .COMPONENT ASSY- (CONT FROM ITEM 226L) (162T1136-075, -074, -070, -068, -038, -030, -020, -017, -012, -008 OR -004 T/W 2 EA 162T1621-1, 2 EA 162T1622-1 WITH QUICK DISCONNECT (QD) FEATURE MAY REPLACE BUT NOT BE REPLACED BY 162T1136-043 -011, -007 OR -003 T/W 2 EA 162T1602-1, 2 EA 162T1603-1, 8 EA BACW10BP5APU, 4 EA NAS6705-7, 4 EA BACN10JC5 FOR CUSTOMER NOT USING TIRE PRESSURE INDICATOR SYSTEM (TPIS) WITHOUT QD FEATURE WITH IMPROVED NOSE GEAR STEERING ANGLE INDICATOR WITH CUSTOMER APPROVAL) (162T1136-075, -074, -070, -068, -038, -030, -020, -017, -012, -008 OR -004 T/W 2 EA 162T1621-1, 2 EA 162T1622-1 MAY REPLACE BUT NOT BE REPLACED BY 162T1136-044, -041, -010 -006 OR -002 T/W 2 EA 162T1602-1, 2 EA 162T1603-1, 8 EA BACW10BP5APU, 4 EA NAS6705-7, 4 EA BACN10JC5 FOR CUSTOMERS NOT USING TIRE PRESSURE INDICATOR SYSTEM (TPIS) WITH CUSTOMER APPROVAL) (CONT AT ITEM 229D)		1

32-21-21

 ILLUSTRATED PARTS LIST
 01.101 Page 1050Q
 Nov 01/05

FIG. & ITEM	PART NO.	AIRLINE PART NUMBER	NOMENCLATURE	EFF CODE	QTY PER ASSY
01- -228Q	162T1136-004		1234567 .COMPONENT ASSY- (CONT FROM ITEM 225Q) (162T1136-075, -074, -070, -068, -038, -030, -020, -017, -012 -008 OR -004 T/W 2 EA 162T1621-1 2 EA 162T1622-1 WITH QUICK DISCONNCT (QD) FEATURE MAY REPLACE BUT NOT BE REPLACED BY 162T1136-043, -011, -007 OR -003 T/W 2 EA 162T1602-1, 2 EA 162T1603-1, 8 EA BACW10BP5APU, 4 EA NAS6705-7, 4 EA BACN10JC5 FOR CUSTOMER NOT USING TIRE PRESSURE INDICATOR SYSTEM (TPIS) WITHOUT QD FEATURE WITH IMPROVED NOSE GEAR STEERING ANGLE INDICATOR WITH CUSTOMER APPROVAL) (162T1136-075, -074, -070, -068, -038, -030, -020, -017, -012, -008 OR -004 WITH QUICK DISCONNECT (QD) FEATURE IS I/W 162T1136-073, -040, -021 WITHOUT QD FEATURE AND INCLUDES IMPROVED NOSE GEAR STEERING ANGLE INDICATOR WITH CUSTOMER APPROVAL) (CONT AT ITEM 228U)		1

32-21-21

 ILLUSTRATED PARTS LIST
 01.101 Page 1050R
 Nov 01/05


BOEING
 COMPONENT
 MAINTENANCE MANUAL

FIG. & ITEM	PART NO.	AIRLINE PART NUMBER	NOMENCLATURE 1234567	EFF CODE	QTY PER ASSY
01- -228R	162T1136-038		.COMPONENT ASSY- (CONT FROM ITEM 227V) (162T1136-075, -074, -070, -068, -038, -030, -020, -017, -012, -008 OR -004 T/W 2 EA T/W 2 EA 162T1621-1, 2 EA 162T1622-1 WITH QUICK DISCONNECT (QD) FEATURE MAY REPLACE BUT NOT BE REPLACED BY 162T1136-043 -011, -007 OR -003 T/W 2 EA 162T1602-1, 2 EA 162T1603-1, 8 EA BACW10BP5APU, 4 EA NAS6705-7, 4 EA BACN10JC5 FOR CUSTOMER NOT USING TIRE PRESSURE INDICATOR SYSTEM (TPIS) WITHOUT QD FEATURE WITH IMPROVED NOSE GEAR STEERING ANGLE INDICATOR WITH CUSTOMER APPROVAL) (CONT AT ITEM 229U)		1

32-21-21

 ILLUSTRATED PARTS LIST
 01.101 Page 1050S
 Nov 01/05

FIG. & ITEM	PART NO.	AIRLINE PART NUMBER	NOMENCLATURE 1234567	EFF CODE	QTY PER ASSY
01- -228S	162T1136-021		.COMPONENT ASSY- (CONT FROM ITEM 226Q) (162T1136-073, -040, -021 T/W 2 EA 162T1621-1 2 EA 162T1622-1 MAY REPLACE BUT NOT BE REPLACED BY 162T1136-043 -011, -007, -003 T/W 2 EA 162T1602-1, 2 EA 162T1603-1, 8 EA BACW10BP5APU, 4 EA NAS6705-7, 4 EA BACN10JC5 FOR CUSTOMER NOT USING TIRE PRESSURE INDICATOR SYSTEM (TPIS) WITH CUSTOMER APPROVAL) (162T1136-075, -074, -070, -068, -038, -030, -020, -017, -012, -008 OR -004 WITH QUICK DISCONNECT (QD) FEATURE IS I/W 162T1136-073, -040, -021 WITHOUT QD FEATURE AND INCLUDES IMPROVED NOSE GEAR STEERING ANGLE INDICATOR WITH CUSTOMER APPROVAL) (CONT AT ITEM 229L)		1

32-21-21

 ILLUSTRATED PARTS LIST
 01.101 Page 1050T
 Nov 01/05


BOEING
 COMPONENT
 MAINTENANCE MANUAL

FIG. & ITEM	PART NO.	AIRLINE PART NUMBER	NOMENCLATURE 1234567	EFF CODE	QTY PER ASSY
01- -228T	162T1136-022		.COMPONENT ASSY- (CONT FROM ITEM 226R) (162T1136-072, -035, -033, -022, -019, -018, -014 OR -013 T/W 2 EA 162T1621-1, 2 EA 162T1622-1 MAY REPLACE BUT NOT BE REPLACED BY 162T1136-043, -011, -007 OR -003 T/W 2 EA 162T1602-1, 2 EA 162T1603-1, 8 EA BACW10BP5APU, 4 EA NAS6705-7, 4 EA BACN10JC5 INCLUDE IMPROVED NOSE GREAT STEERING ANGLE INDICATOR FOR CUSTOMER NOT USING TIRE PRESSURE INDICATOR SYSTEM (TPIS) WITH CUSTOMER APPROVAL) (162T1136-075, -074, -070, -068, -038, -030, -020, -017, -012, -008 OR -004 WITH QUICK DISCONNECT (QD) FEATURE IS I/W 162T1136-072, -035, -033, -022, -019, -018, -014 OR -013 WITHOUT QD FEATURE WITH CUSTOMER APPROVAL) (CONT AT ITEM 229P)		1
-228U	162T1136-004		.COMPONENT ASSY- (CONT FROM ITEM 228Q) (162T1136-075, -074, -070, -068, -038, -030, -020, -017, -012, -008 OR -004 WITH QUICK DISCONNECT (QD) FEATURE IS I/W 162T1136-072, -035, -033, -022, -019, -018, -014 OR -013 WITHOUT QD FEATURE WITH CUSTOMER APPROVAL)		1

32-21-21

 ILLUSTRATED PARTS LIST
 01.101 Page 1050U
 Nov 01/05

FIG. & ITEM	PART NO.	AIRLINE PART NUMBER	NOMENCLATURE	EFF CODE	QTY PER ASSY
01- -228V	162T1136-005		1234567 .COMPONENT ASSY- (CONT FROM ITEM 225U) (162T1136-075, -074, -070, -068, -038, -030, -020, -017, -012, -008 OR -004 T/W 2 EA 162T1621-1, 2 EA 162T1622-1 WITH QUICK DISCONNECT (QD) FEATURE MAY REPLACE BUT NOT BE REPLACED BY 162T1136-042 -009, -005 OR -001 T/W 2 EA 162T1602-1, 2 EA 162T1603-1, 8 EA BACW10BP5APU, 4 EA NAS6705-7, 4 EA BACN10JC5 FOR CUSTOMERS NOT USING TIRE PRESSURE INDICATOR SYSTEM (TPIS) AND WITHOUT QD FEATURE WITH CUSTOMER APPROVAL) (162T1136-072, -035, -033, -022, -019, -018, -014 OR -013 T/W 2 EA 162T1621-1, 2 EA 162T1622-1 MAY REPLACE BUT NOT BE REPLACED BY 162T1136-042, -009, -005 OR -001 T/W 2 EA 162T1602-1, 2 EA 162T1603-1, 8 EA BACW10BP5APU, 4 EA NAS6705-7 4 EA BACN10JC5 FOR CUSTOMERS NOT USING TIRE PRESSURE INDICATOR SYSTEM (TPIS) WITH CUSTOMER APPROVAL) (CONT AT ITEM 228W)		1
-228W	162T1136-005		.COMPONENT ASSY- (CONT FROM ITEM 228V)		1
-228Y	162T1136-044		.COMPONENT ASSY- (CONT FROM ITEM 227R) (CONT AT ITEM 230K)		1

32-21-21

 ILLUSTRATED PARTS LIST
 01.101 Page 1050V
 Nov 01/05


BOEING
 COMPONENT
 MAINTENANCE MANUAL

FIG. & ITEM	PART NO.	AIRLINE PART NUMBER	NOMENCLATURE 1234567	EFF CODE	QTY PER ASSY
01- -228Z	162T1136-041		.COMPONENT ASSY- (CONT FROM ITEM 227T) (CONT AT ITEM 230L)		1
-229	162T1136-010		.COMPONENT ASSY- (CONT FROM ITEM 226B) (162T1136-073, -040, -021 T/W 2 EA 162T1621-1 2 EA 162T1622-1 WITHOUT QUICK DISCONNECT (QD) FEATURE AND IMPROVED NOSE GEAR STEERING ANGLE INDICATOR MAY REPLACE BUT NOT BE REPLACED BY 162T1136-044, -041, -010 -006 OR -002 T/W 2 EA 162T1602-1, 2 EA 162T1603-1, 8 EA BACW10BP5APU, 4 EA NAS6705-7, 4 EA BACN10JC5 WITH QD FEATURE FOR CUSTOMERS NOT USING TIRE PRESSURE INDICATOR SYSTEM (TPIS) WITH CUSTOMER APPROVAL) (CONT AT ITEM 229Z)		1

32-21-21

 ILLUSTRATED PARTS LIST
 01.101 Page 1050W
 Nov 01/05

FIG. & ITEM	PART NO.	AIRLINE PART NUMBER	NOMENCLATURE 1234567	EFF CODE	QTY PER ASSY
01- -229A	162T1136-006		.COMPONENT ASSY- (CONT FROM ITEM 225T) (162T1136-073, -040, -021 T/W 2 EA 162T1621-1 2 EA 162T1622-1 WITHOUT QUICK DISCONNECT (QD) FEATURE AND IMPROVED NOSE GEAR STEERING ANGLE INDICATOR MAY REPLACE BUT NOT BE REPLACED BY 162T1136-044, -041, -010 -006 OR -002 T/W 2 EA 162T1602-1, 2 EA 162T1603-1, 8 EA BACW10BP5APU, 4 EA NAS6705-7, 4 EA BACN10JC5 WITH QD FEATURE FOR CUSTOMERS NOT USING TIRE PRESSURE INDICATOR SYSTEM (TPIS) WITH CUSTOMER APPROVAL) (CONT AT ITEM 229C)		1
-229B	162T1136-012		.COMPONENT ASSY- (CONT FROM ITEM 226D) (162T1136-075, -074, -070, -068, -038, -030, -020, -017, -012, -008 OR -004 T/W 2 EA 162T1621-1, 2 EA 162T1622-1 WITH QUICK DISCONNECT (QD) FEATURE MAY REPLACE BUT NOT BE REPLACED BY 162T1136-042 -009, -005 OR -001 T/W 2 EA 162T1602-1, 2 EA 162T1603-1, 8 EA BACW10BP5APU, 4 EA NAS6705-7, 4 EA BACN10JC5 FOR CUSTOMERS NOT USING TIRE PRESSURE INDICATOR SYSTEM (TPIS) AND WITHOUT QD FEATURE WITH CUSTOMER APPROVAL) (CONT AT ITEM 229G)		1
-229C	162T1136-06		DELETED		

32-21-21

 ILLUSTRATED PARTS LIST
 01.101 Page 1050X
 Nov 01/05


BOEING
 COMPONENT
 MAINTENANCE MANUAL

FIG. & ITEM	PART NO.	AIRLINE PART NUMBER	NOMENCLATURE 1234567	EFF CODE	QTY PER ASSY
01- -229D	162T1136-017		.COMPONENT ASSY- (CONT FROM ITEM 228P) (CONT AT ITEM 229Y)		1
-229E	162T1136-007		.COMPONENT ASSY- (CONT FROM ITEM 225V) (162T1136-073, -040, -021 T/W 2 EA 162T1621-1 2 EA 162T1622-1 MAY REPLACE BUT NOT BE REPLACED BY 162T1136-043 -011, -007, -003 T/W 2 EA 162T1602-1, 2 EA 162T1603-1, 8 EA BACW10BP5APU, 4 EA NAS6705-7, 4 EA BACN10JC5 FOR CUSTOMER NOT USING TIRE PRESSURE INDICATOR SYSTEM (TPIS) WITH CUSTOMER APPROVAL) (162T1136-072, -035, -033, -022, -019, -018, -014 OR -013 T/W 2 EA 162T1621-1, 2 EA 162T1622-1 MAY REPLACE BUT NOT BE REPLACED BY 162T1136-043, -011, -007 OR -003 T/W 2 EA 162T1602-1, 2 EA 162T1603-1, 8 EA BACW10BP5APU, 4 EA NAS6705-7, 4 EA BACN10JC5 INCLUDE IMPROVED NOSE GEAR STEERING ANGLE INDICATOR FOR CUSTOMER NOT USING TIRE PRESSURE INDICATOR SYSTEM (TPIS) WITH CUSTOMER APPROVAL) (CONT AT ITEM 229F)		1
-229F	162T1136-007		.COMPONENT ASSY- (CONT FROM ITEM 229E)		1

32-21-21

 ILLUSTRATED PARTS LIST
 01.101 Page 1050Y
 Nov 01/05

FIG. & ITEM	PART NO.	AIRLINE PART NUMBER	NOMENCLATURE	EFF CODE	QTY PER ASSY
01- -229G	162T1136-012		1234567 .COMPONENT ASSY- (CONT FROM ITEM 229B) (162T1136-072, -035, -033, -022, -019, -018, -014 OR -013 T/W 2 EA 162T1621-1, 2 EA 162T1622-1 MAY REPLACE BUT NOT BE REPLACED BY 162T1136-043, -011, -007 OR -003 T/W 2 EA 162T1602-1, 2 EA 162T1603-1, 8 EA BACW10BP5APU, 4 EA NAS6705-7, 4 EA BACN10JC5 INCLUDE IMPROVED NOSE GEAR STEERING ANGLE INDICATOR FOR CUSTOMER NOT USING TIRE PRESSURE INDICATOR SYSTEM (TPIS) WITH CUSTOMER APPROVAL) (CONT AT ITEM 229W)		1

32-21-21

 ILLUSTRATED PARTS LIST
 01.101 Page 1050Z
 Nov 01/05


BOEING
 COMPONENT
 MAINTENANCE MANUAL

FIG. & ITEM	PART NO.	AIRLINE PART NUMBER	NOMENCLATURE 1234567	EFF CODE	QTY PER ASSY
01- -229H	162T1136-008		.COMPONENT ASSY- (CONT FROM ITEM 228B) (162T1136-075, -074, -070, -068, -038, -030, -020, -017, -012, -008 OR -004 WITH QUICK DISCONNECT (QD) FEATURE IS I/W 162T1136-073, -040, -021 WITHOUT QD FEATURE AND INCLUDES IMPROVED NOSE GEAR STEERING ANGLE INDICATOR WITH CUSTOMER APPROVAL) (162T1136-075, -074, -070, -068, -038, -030, -020, -017, -012, -008, OR -004 WITH QUICK DISCONNECT (QD) FEATURE IS I/W 162T1136-072, -035, -033, -022, -019, -018, -014 OR -013 WITHOUT QD FEATURE WITH CUSTOMER APPROVAL) (CONT AT ITEM 229J)		1
-229J	162T1136-008		.COMPONENT ASSY- (CONT FROM ITEM 229H)	BM,BN	1
-229K	162T1136-013		.COMPONENT ASSY- (CONT FROM ITEM 228F) (162T1136-072, -035, -033, -022, -019, -018, -014 OR -013 I/W 162T1136-073, -040 OR -021 WITH IMPROVED NOSE GEAR STEERING ANGLE INDICATOR WITH CUSTOMER APPROVAL) (CONT AT ITEM 230Q)	BX	1
-229L	162T1136-021		.COMPONENT ASSY- (CONT FROM ITEM 228S) (CONT AT ITEM 230N)	EK	1
-229M	162T1136-014		.COMPONENT ASSY- (CONT FROM ITEM 228E) (CONT AT ITEM 230P)	BN	1

32-21-21

 ILLUSTRATED PARTS LIST
 01.101 Page 1051
 Nov 01/05

FIG. & ITEM	PART NO.	AIRLINE PART NUMBER	NOMENCLATURE 1234567	EFF CODE	QTY PER ASSY
01- -229N	162T1136-035		.COMPONENT ASSY- (CONT FROM ITEM 228G) (162T1136-072, -035, -033, -022, -019, -018, -014 OR -013 I/W 162T1136-073, -040 OR -021 WITH IMPROVED NOSE GEAR STEERING ANGLE INDICATOR WITH CUSTOMER APPROVAL) (CONT AT ITEM 230R)	DT	1
-229P	162T1136-022		.COMPONENT ASSY- (CONT FROM ITEM 228T) (CONT AT ITEM 230S)	DB	1
-229Q	162T1136-019		.COMPONENT ASSY- (CONT FROM ITEM 228H) (CONT AT ITEM 230T)	EG	1
-229R	162T1136-018		.COMPONENT ASSY- (CONT FROM ITEM 228J) (CONT AT ITEM 230W)	EF	1

32-21-21

 ILLUSTRATED PARTS LIST
 01.101 Page 1052
 Nov 01/05

BOEING
 COMPONENT
 MAINTENANCE MANUAL

FIG. & ITEM	PART NO.	AIRLINE PART NUMBER	NOMENCLATURE 1234567	EFF CODE	QTY PER ASSY
01- -229S	162T1136-009		.COMPONENT ASSY- (CONT FROM ITEM 226A) (162T1136-073, -040, -021 T/W 2 EA 162T1621-1 2 EA 162T1622-1 WITH IMPROVED NOSE GEAR STEERING ANGLE INDICATOR MAY REPLACE BUT NOT BE REPLACED BY 162T1136-042 -009, -005, -001 T/W 2 EA 162T1602-1, 2 EA 162T1603-1, 8 EA BACW10BP5APU, 4 EA NAS6705-7, 4 EA BACN10JC5 FOR CUSTOMER NOT USING TIRE PRESSURE INDICATOR SYSTEM (TPIS) WITH CUSTOMER APPROVAL) (162T1136-072, -035, -033, -022, -019, -018, -014 OR -013 T/W 2 EA 162T1621-1, 2 EA 162T1622-1 MAY REPLACE BUT NOT BE REPLACED BY 162T1136-042, -009, -005 OR -001 T/W 2 EA 162T1602-1, 2 EA 162T1603-1, 8 EA BACW10BP5APU, 4 EA NAS6705-7, 4 EA BACN10JC5 FOR CUSTOMERS NOT USING TIRE PRESSURE INDICATOR SYSTEM (TPIS) WITH CUSTOMER APPROVAL) (CONT AT ITEM 229T)	BR	1
-229T	162T1136-009		.COMPONENT ASSY- (CONT FROM ITEM 229S)	BR	1
-229U	162T1136-038		.COMPONENT ASSY- (CONT FROM ITEM 228R) (CONT AT ITEM 230G)	BC,E G-EJ, EM	1
-229V	162T1136-030		.COMPONENT ASSY- (CONT FROM ITEM 228M) (CONT AT ITEM 230H)	DK	1

32-21-21

ILLUSTRATED PARTS LIST
 01.101 Page 1052A
 Nov 01/05

FIG. & ITEM	PART NO.	AIRLINE PART NUMBER	NOMENCLATURE 1234567	EFF CODE	QTY PER ASSY
01- -229W	162T1136-012		.COMPONENT ASSY- (CONT FROM ITEM 229G) (162T1136-075, -074, -070, -068, -038, -030, -020, -017, -012, -008 OR -004 WITH QUICK DISCONNECT (QD) FEATURE IS I/W 162T1136-073, -040, -021 WITHOUT QD FEATURE AND INCLUDES IMPROVED NOSE GEAR STEERING ANGLE INDICATOR WITH CUSTOMER APPROVAL) (CONT AT ITEM 230J)	BV	1
-229X	162T1136-020		.COMPONENT ASSY- (CONT FROM ITEM 228N) (CONT AT ITEM 230Y)	BC,E G-EJ, EM	1
-229Y	162T1136-017		.COMPONENT ASSY- (CONT FROM ITEM 229D) (162T1136-075, -074, -070, -068, -038, -030, -020, -017, -012, -008, OR -004 WITH QUICK DISCONNECT (QD) FEATURE IS I/W 162T1136-072, -035, -033, -022, -019, -018, -014, OR -013 WITHOUT QD FEATURE WITH CUSTOMER APPROVAL) (CONT AT ITEM 231A)	EE	1

32-21-21

 ILLUSTRATED PARTS LIST
 01.101 Page 1052B
 Nov 01/05


BOEING
 COMPONENT
 MAINTENANCE MANUAL

FIG. & ITEM	PART NO.	AIRLINE PART NUMBER	NOMENCLATURE 1234567	EFF CODE	QTY PER ASSY
01- -229Z	162T1136-010		.COMPONENT ASSY- (CONT FROM ITEM 229) (162T1136-072, -035, -033, -022, -019, -018, -014 OR -013 T/W 2 EA 162T1621-1, 2 EA 162T1622-1 WITHOUT QUICK DISCONNECT (QD) MAY REPLACE BUT NOT BE REPLACED BY 162T1136-044 -041, -010, -006 OR -002 T/W 2 EA 162T1602-1, 2 EA 162T1603-1, 8 EA BACW10BP5APU, 4 EA NAS6705-7, 4 EA BACN10JC5 FOR CUSTOMERS NOT USING TIRE PRESSURE INDICATOR SYSTEM (TPIS) WITH CUSTOMER APPROVAL) (CONT AT ITEM 230A)	BS,BT ,CC,C D,ED, EN,ER	1
230 -230A	162T4014-1 162T1136-010		DELETED .COMPONENT ASSY- (CONT FROM ITEM 229Z) (CONT AT ITEM 230B)	BS,BT ,CC,C D,ED, EN,ER	1
-230B	162T1136-010		.COMPONENT ASSY- (CONT FROM ITEM 230A)	BS,BT ,CC,C D,ED, EN,ER	1
-230C	162T1136-075		.COMPONENT ASSY- (CONT FROM ITEM 228K) (162T1136-075, -074, -070, -068, -038, -030, -020, -017, -012, -008 -004 WITH QUICK DISCONNECT (QD) FEATURE IS I/W 162T1136-072, -035, -033, -022, -019, -018, -014 OR -013 WITHOUT QD FEATURE WITH CUSTOMER APPROVAL) (CONT AT ITEM 231)	BS,BT ,CC,C D,ED, EN,ER AY	1

32-21-21

 ILLUSTRATED PARTS LIST
 01.101 Page 1052C
 Nov 01/05

FIG. & ITEM	PART NO.	AIRLINE PART NUMBER	NOMENCLATURE 1234567	EFF CODE	QTY PER ASSY
01- -230D	162T1136-038		.COMPONENT ASSY- (CONT FROM ITEM 228L) 162T1136-075, -074, -070 -068, -038, -030, -020, -017, -012, -008 OR -004 WITH QUICK DISCONNECT (QD) FEATURE IS I/W 162T1136-072, -035, -033 -022, -019, -018, -014 OR -013 WITHOUT QD FEATURE WITH CUSTOMER APPROVAL) (CONT AT ITEM 231F)	DU-EA	1
-230E	162T1136-011		.COMPONENT ASSY- (CONT FROM ITEM 226C) (162T1136-075, -074, -070, -068, -038, -030, -020, -017, -012, -008 OR -004 T/W 2 EA 162T1621-1, 2 EA 162T1622-1 WITH QUICK DISCONNECT (QD) FEATURE MAY REPLACE BUT NOT BE REPLACED BY 162T1136-043 -011, -007 OR -003 T/W 2 EA 162T1602-1, 2 EA 162T1603-1, 8 EA BACW10BP5APU, 4 EA NAS6705-7, 4 EA BACN10JC5 FOR CUSTOMER NOT USING TIRE PRESSURE INDICATOR SYSTEM (TPIS) WITHOUT QD FEATURE WITH IMPROVED NOSE GEAR STEERING ANGLE INDICATOR WITH CUSTOMER APPROVAL) (CONT AT ITEM 230F)	BU	1

32-21-21

 ILLUSTRATED PARTS LIST
 01.101 Page 1052D
 Nov 01/05


BOEING
 COMPONENT
 MAINTENANCE MANUAL

FIG. & ITEM	PART NO.	AIRLINE PART NUMBER	NOMENCLATURE	EFF CODE	QTY PER ASSY
01- -230F	162T1136-011		1234567 .COMPONENT ASSY- (CONT FROM ITEM 230E) (162T1136-073, -040, -021 T/W 2 EA 162T1621-1 2 EA 162T1622-1 MAY REPLACE BUT NOT BE REPLACED BY 162T1136-043 -011, -007, -003 T/W 2 EA 162T1602-1, 2 EA 162T1603-1, 8 EA BACW10BP5APU, 4 EA NAS6705-7, 4 EA BACN10JC5 FOR CUSTOMER NOT USING TIRE PRESSURE INDICATOR SYSTEM (TPIS) WITH CUSTOMER APPROVAL) (162T1136-072, -035, -033, -022, -019, -018, -014 OR -013 T/W 2 EA 162T1621-1, 2 EA 162T1622-1 MAY REPLACE BUT NOT BE REPLACED BY 162T1136-043, -011, -007 OR -003 T/W 2 EA 162T1602-1, 2 EA 162T1603-1, 8 EA BACW10BP5APU, 4 EA NAS6705-7, 4 EA BACN10JC5 INCLUDE IMPROVED NOSE GEAR STEERING ANGLE INDICATOR FOR CUSTOMER NOT USING TIRE PRESSURE INDICATOR SYSTEM (TPIS) WITH CUSTOMER APPROVAL)	BU	1

32-21-21

 ILLUSTRATED PARTS LIST
 01.101 Page 1052E
 Nov 01/05

FIG. & ITEM	PART NO.	AIRLINE PART NUMBER	NOMENCLATURE 1234567	EFF CODE	QTY PER ASSY
01- -230H	162T1136-030		.COMPONENT ASSY- (CONT FROM ITEM 229V) (162T1136-075, -074, -070, -068, -038, -030, -020, -017, -012, -008, OR -004 WITH QUICK DISCONNECT (QD) FEATURE IS I/W 162T1136-072, -035, -033, -022, -019, -018, -014, OR -013 WITHOUT QD FEATURE WITH CUSTOMER APPROVAL) (162T1136-075, -074, -070, -068, -038, -030, -020, -017, -012, -008 OR -004 WITH QUICK DISCONNECT (QD) FEATURE IS I/W 162T1136-073, -040, -021 WITHOUT QD FEATURE AND INCLUDES IMPROVED NOSE GEAR STEERING ANGLE INDICATOR WITH CUSTOMER APPROVAL) (CONT AT ITEM 231P)	DK	1
-230J	162T1136-012		.COMPONENT ASSY- (CONT FROM ITEM 229W) (162T1136-075, -074, -070, -068, -038, -030, -020, -017, -012, -008 OR -004 WITH QUICK DISCONNECT (QD) FEATURE IS I/W 162T1136-072, -035, -033, -022, -019, -018, -014 OR -013 WITHOUT QD FEATURE WITH CUSTOMER APPROVAL) (CONT AT ITEM 230U)	BV	1

32-21-21

 ILLUSTRATED PARTS LIST
 01.101 Page 1052F
 Nov 01/05


BOEING
 COMPONENT
 MAINTENANCE MANUAL

FIG. & ITEM	PART NO.	AIRLINE PART NUMBER	NOMENCLATURE 1234567	EFF CODE	QTY PER ASSY
01- -230K	162T1136-044		.COMPONENT ASSY- (CONT FROM ITEM 228Y) (162T1136-072, -035, -033, -022, -019, -018, -014 OR -013 T/W 2 EA 162T1621-1, 2 EA 162T1622-1 WITHOUT QUICK DISCONNECT (QD) MAY REPLACE BUT NOT BE REPLACED BY 162T1136-044 -041, -010, -006 OR -002 T/W 2 EA 162T1602-1, 2 EA 162T1603-1, 8 EA BACW10BP5APU, 4 EA NAS6705-7, 4 EA BACN10JC5 FOR CUSTOMERS NOT USING TIRE PRESSURE INDICATOR SYSTEM (TPIS) WITH CUSTOMER APPROVAL) (CONT AT ITEM 231C)	DG	1
-230L	162T1136-041		.COMPONENT ASSY- (CONT FROM ITEM 228Z) (162T1136-072, -035, -033, -022, -019, -018, -014 OR -013 T/W 2 EA 162T1621-1, 2 EA 162T1622-1 WITHOUT QUICK DISCONNECT (QD) MAY REPLACE BUT NOT BE REPLACED BY 162T1136-044 -041, -010, -006 OR -002 T/W 2 EA 162T1602-1, 2 EA 162T1603-1, 8 EA BACW10BP5APU, 4 EA NAS6705-7, 4 EA BACN10JC5 FOR CUSTOMERS NOT USING TIRE PRESSURE INDICATOR SYSTEM (TPIS) CUSTOMER APPROVAL) (CONT AT ITEM 231D)	DN	1

32-21-21

 ILLUSTRATED PARTS LIST
 01.101 Page 1052G
 Nov 01/05

FIG. & ITEM	PART NO.	AIRLINE PART NUMBER	NOMENCLATURE 1234567	EFF CODE	QTY PER ASSY
01- -230M	162T1136-042		.COMPONENT ASSY- (CONT FROM ITEM 227S) (162T1136-075, -074, -070, -068, -038, -030, -020, -017, -012, -008 OR -004 T/W 2 EA 162T1621-1, 2 EA 162T1622-1 WITH QUICK DISCONNECT (QD) FEATURE MAY REPLACE BUT NOT BE REPLACED BY 162T1136-042 -009, -005 OR -001 T/W 2 EA 162T1602-1, 2 EA 162T1603-1, 8 EA BACW10BP5APU, 4 EA NAS6705-7, 4 EA BACN10JC5 FOR CUSTOMERS NOT USING TIRE PRESSURE INDICATOR SYSTEM (TPIS) AND WITHOUT QD FEATURE WITH CUSTOMER APPROVAL) (CONT AT ITEM 231W)	DP	1
-230N	162T1136-021		.COMPONENT ASSY- (CONT FROM ITEM 229L) (162T1136-072, -035, -033, -022, -019, -018, -014 OR -013 I/W 162T1136-073, -040 OR -021 WITH IMPROVED NOSE GEAR STEERING ANGLE INDICATOR WITH CUSTOMER APPROVAL) (CONT AT ITEM 231H)	EK	1
-230P	162T1136-014		.COMPONENT ASSY- (CONT FROM ITEM 229M) (162T1136-072, -035, -033, -022, -019, -018, -014 OR -013 I/W 162T1136-073, -040 OR OR -021 WITH IMPROVED NOSE GEAR STEERING ANGLE INDICATOR WITH CUSTOMER APPROVAL) (CONT AT ITEM 230Z)	BN	1

32-21-21

 ILLUSTRATED PARTS LIST
 01.101 Page 1052H
 Nov 01/05


BOEING
 COMPONENT
 MAINTENANCE MANUAL

FIG. & ITEM	PART NO.	AIRLINE PART NUMBER	NOMENCLATURE 1234567	EFF CODE	QTY PER ASSY
01- -230Q	162T1136-013		.COMPONENT ASSY- (CONT FROM ITEM 229K) (CONT AT ITEM 230X)	BX	1
-230R	162T1136-035		.COMPONENT ASSY- (CONT FROM ITEM 229N) (CONT AT ITEM 231K)	DT	1
-230S	162T1136-022		.COMPONENT ASSY- (CONT FROM ITEM 229P) (CONT AT ITEM 231L)	DB	1
-230T	162T1136-019		.COMPONENT ASSY- (CONT FROM ITEM 229Q) (162T1136-072, -035, -033, -022, -019, -018, -014 OR -013 I/W 162T1136-073, -040 OR -021 WITH IMPROVED NOSE GEAR STEERING ANGLE INDICATOR WITH CUSTOMER APPROVAL) (CONT AT ITEM 231E)	EG	1
-230U	162T1136-012		.COMPONENT ASSY- (CONT FROM ITEM 230J) (CONT AT ITEM 230V)	BV	1
-230V	162T1136-012		.COMPONENT ASSY- (CONT FROM ITEM 230U)	BV	1
-230W	162T1136-018		.COMPONENT ASSY- (CONT FROM ITEM 229R) (162T1136-072, -035, -033, -022, -019, -018, -014, OR -013 I/W 162T1136-073, -040 OR -021 WITH IMPROVED NOSE GEAR STEERING ANGLE INDICATOR WITH CUSTOMER APPROVAL)	EF	1
-230X	162T1136-013		.COMPONENT ASSY- (CONT FROM ITEM 230Q)	BX	1

32-21-21

 ILLUSTRATED PARTS LIST
 01.101 Page 1052I
 Nov 01/05

FIG. & ITEM	PART NO.	AIRLINE PART NUMBER	NOMENCLATURE 1234567	EFF CODE	QTY PER ASSY
01- -230Y	162T1136-020		.COMPONENT ASSY- (CONT FROM ITEM 229X) (162T1136-075, -074, -070, -068, -038, -030, -020, -017, -012, -008 OR -004 WITH QUICK DISCONNECT (QD) FEATURE IS I/W 162T1136-072, -035, -033, -022, -019, -018, -014 OR -013 WITHOUT QD FEATURE WITH CUSTOMER APPROVAL) (162T1136-075, -074, -070, -068, -038, -030, -020, -017, -012, -008, OR -004 WITH QUICK DISCONNECT (QD) FEATURE IS I/W 162T1136-073, -040, -021 WITHOUT QD FEATURE AND INCLUDES IMPROVED NOSE GEAR STEERING ANGLE INDICATOR WITH CUSTOMER APPROVAL) (CONT AT ITEM 231G)	BC,E G-EJ, EM	1
-230Z	162T1136-014		.COMPONENT ASSY- (CONT FROM ITEM 230P)	BN	1
231	162T1136-075		.COMPONENT ASSY- (CONT FROM ITEM 230C) (162T1136-075, -074, -070, -068, -038, -030, -020, -017, -012, -008, OR -004 WITH QUICK DISCONNECT (QD) FEATURE IS I/W 162T1136-073, -040, -021 WITHOUT QD FEATURE AND INCLUDES IMPROVED NOSE GEAR STEERING ANGLE INDICATOR WITH CUSTOMER APPROVAL) (CONT AT ITEM 231R)	AY	1

32-21-21

 ILLUSTRATED PARTS LIST
 01.101 Page 1052J
 Nov 01/05


BOEING
 COMPONENT
 MAINTENANCE MANUAL

FIG. & ITEM	PART NO.	AIRLINE PART NUMBER	NOMENCLATURE 1234567	EFF CODE	QTY PER ASSY
01- -231A	162T1136-017		.COMPONENT ASSY- (CONT FROM ITEM 229Y) (162T1136-075, -074, -070, -068, -038, -030, -020, -017, -012, -008, OR -004 WITH QUICK DISCONNECT (QD) FEATURE IS I/W 162T1136-073, -040, -021 WITHOUT QD FEATURE AND INCLUDES IMPROVED NOSE GEAR STEERING ANGLE INDICATOR WITH CUSTOMER APPROVAL) (CONT AT ITEM 231B)	EE	1
-231B	162T1136-017		.COMPONENT ASSY- (CONT FROM ITEM 231A) (162T1136-072, -035, -033, -022, -019, -018, -014 OR -013 I/W 162T1136-073, -040 OR -021 WITH IMPROVED NOSE GEAR STEERING ANGLE INDICATOR WITH CUSTOMER APPROVAL)	EE	1

32-21-21

 ILLUSTRATED PARTS LIST
 01.101 Page 1052K
 Nov 01/05

FIG. & ITEM	PART NO.	AIRLINE PART NUMBER	NOMENCLATURE 1234567	EFF CODE	QTY PER ASSY
01- -231C	162T1136-044		.COMPONENT ASSY- (CONT FROM ITEM 230K) (162T1136-073, -040, -021 T/W 2 EA 162T1621-1 2 EA 162T1622-1 WITHOUT QUICK DISCONNECT (QD) FEATURE AND IMPROVED NOSE GEAR STEERING ANGLE INDICATOR MAY REPLACE BUT NOT BE REPLACED BY 162T1136-044, -041, -010 -006 OR -002 T/W 2 EA 162T1602-1, 2 EA 162T1603-1, 8 EA BACW10BP5APU, 4 EA NAS6705-7, 4 EA BACN10JC5 WITH QD FEATURE FOR CUSTOMERS NOT USING TIRE PRESSURE INDICATOR SYSTEM (TPIS) WITH CUSTOMER APPROVAL) (CONT AT ITEM 231M)	DG	1
-231D	162T1136-041		.COMPONENT ASSY- (CONT FROM ITEM 230L) (162T1136-073, -040, -021 T/W 2 EA 162T1621-1 2 EA 162T1622-1 WITHOUT QUICK DISCONNECT (QD) FEATURE AND IMPROVED NOSE GEAR STEERING ANGLE INDICATOR MAY REPLACE BUT NOT BE REPLACED BY 162T1136-044, -041, -010 -006 OR -002 T/W 2 EA 162T1602-1, 2 EA 162T1603-1, 8 EA BACW10BP5APU, 4 EA NAS6705-7, 4 EA BACN10JC5 WITH QD FEATURE FOR CUSTOMERS NOT USING TIRE PRESSURE INDICATOR SYSTEM (TPIS) WITH CUSTOMER APPROVAL) (CONT AT ITEM 231N)	DN	1

32-21-21

 ILLUSTRATED PARTS LIST
 01.101 Page 1052L
 Nov 01/05


BOEING
 COMPONENT
 MAINTENANCE MANUAL

FIG. & ITEM	PART NO.	AIRLINE PART NUMBER	NOMENCLATURE 1234567	EFF CODE	QTY PER ASSY
01- -231E	162T1136-019		.COMPONENT ASSY- (CONT FROM ITEM 230T)	EG	1
-231F	162T1136-038		.COMPONENT ASSY- (CONT FROM ITEM 230D) (162T1136-075, -074, -070, -068, -038, -030, -020, -017, -012, -008 OR -004 WITH QUICK DISCONNECT (QD) FEATURE IS I/W 162T1136-073, -040, -021 WITHOUT QD FEATURE AND INCLUDES IMPROVED NOSE GEAR STEERING ANGLE INDICATOR WITH CUSTOMER APPROVAL) (CONT AT ITEM 231T)	DU-EA	1
-231G	162T1136-020		.COMPONENT ASSY- (CONT FROM ITEM 230Y)	BC,E G-EJ, EM	1
231H	162T1136-021		.COMPONENT ASSY- (CONT FROM ITEM 230N) (CONT AT ITEM 231J)	EK	1
-231J	162T1136-021		.COMPONENT ASSY- (CONT FROM ITEM 231H)	EK	1
-231K	162T1136-035		.COMPONENT ASSY- (CONT FROM ITEM 230R) (CONT AT 231Q)	DT	1
-231L	162T1136-022		.COMPONENT ASSY- (CONT FROM ITEM 230S) (162T1136-072, -035, -033, -022, -019, -018, -014 OR -013 I/W 162T1136-073, -040 OR -021 WITH IMPROVED NOSE GEAR STEERING ANGLE INDICATOR WITH CUSTOMER APPROVAL)	DB	1
-231M	162T1136-044		.COMPONENT ASSY- (CONT FROM ITEM 231C) (CONT AT ITEM 231Z)	DG	1
-231N	162T1136-041		.COMPONENT ASSY- (CONT FROM ITEM 231D) (CONT AT 231S)	DN	1
-231P	162T1136-030		.COMPONENT ASSY- (CONT FROM ITEM 230H)	DK	1

32-21-21

 ILLUSTRATED PARTS LIST
 01.101 Page 1052M
 Nov 01/05

FIG. & ITEM	PART NO.	AIRLINE PART NUMBER	NOMENCLATURE 1234567	EFF CODE	QTY PER ASSY
01- -231Q	162T1136-035		.COMPONENT ASSY- (CONT FROM ITEM 231K)	DT	1
-231R	162T1136-075		.COMPONENT ASSY- (CONT FROM ITEM 231) (CONT AT ITEM 231X)	AY	1
-231S	162T1136-041		.COMPONENT ASSY- (CONT FROM ITEM 231N)	DN	1
-231T	162T1136-038		.COMPONENT ASSY- (CONT FROM ITEM 231F)	DU-EA	1
-231U	162T1136-038		.COMPONENT ASSY- (CONT FROM ITEM 230G)	BC,E G-EJ, EM	1
-231V	162T1136-043		.COMPONENT ASSY- (CONT FROM ITEM 227Q) (162T1136-075, -074, -070, -068, -038, -030, -020, -017, -008, -004 T/W 2 EA 162T1621-1, 2 EA 162T1622-1 WITH QUICK DISCONNECT (QD) FEATURE MAY REPLACE BUT NOT BE REPLACED BY 162T1136-043 -011, -007 OR -003 T/W 2 EA 162T1602-1, 2 EA 162T1603-1, 8 EA BACW10BP5APU, 4 EA NAS6705-7, 4 EA BACN10JC5 FOR CUSTOMER NOT USING TIRE PRESSURE INDICATOR SYSTEM (TPIS) WITHOUT QD FEATURE, WITH IMPROVED NOSE GEAR STEERING ANGLE INDICATOR WITH CUSTOMER APPROVAL)	DF	1
-231W	162T1136-042		.COMPONENT ASSY- (CONT FROM ITEM 230M)	DP	1
-231X	162T1136-075		.COMPONENT ASSY- (CONT FROM ITEM 231R)	AY	1

32-21-21

 ILLUSTRATED PARTS LIST
 01.101 Page 1052N
 Nov 01/05


BOEING
 COMPONENT
 MAINTENANCE MANUAL

FIG. & ITEM	PART NO.	AIRLINE PART NUMBER	NOMENCLATURE 1234567	EFF CODE	QTY PER ASSY
01- -231Y	162T1136-006		.COMPONENT ASSY- (CONT FROM ITEM 229A) (162T1136-072, -035, -033, -022, -019, -018, -014 OR -013 T/W 2 EA 162T1621-1, 2 EA 162T1622-1 WITHOUT QUICK DISCONNECT (QD) MAY REPLACE BUT NOT BE REPLACED BY 162T1136-044 -041, -010, -006 OR -002 T/W 2 EA 162T1602-1, 2 EA 162T1603-1, 8 EA BACW10BP5APU, 4 EA NAS6705-7, 4 EA BACN10JC5 FOR CUSTOMERS NOT USING TIRE PRESSURE INDICATOR SYSTEM (TPIS) WITH CUSTOMER APPROVAL)	AW,BP ,CB	1
-231Z	162T1136-044		.COMPONENT ASSY- (CONT FROM ITEM 231M)	DG	1

32-21-21

 ILLUSTRATED PARTS LIST
 01.101 Page 10520
 Nov 01/05

FIG. & ITEM	PART NO.	AIRLINE PART NUMBER	NOMENCLATURE	EFF CODE	QTY PER ASSY
01-232	162T1100-6		1234567 .COMPONENT ASSY-SHOCK (CONT FROM ITEM 225D) (162T1100-38, -33 OR -30 T/W 2 EA 162T1621-1, 2 EA 162T1622-1 WITH QUICK DISCONNECT (QD) MAY REPLACE BUT NOT BE REPLACED BY 162T1100-6 T/W 2 EA 162T1602-1, 2 EA 162T1603-1, 8 EA BACW10BP5APU, 4 EA NAS6705-7, 4 EA BACN10JC5 WITHOUT QD FOR CUSTOMER NOT USING TPIS AND HAS INCORPORATED SB767-32-0039 WITH CUSTOMER APPROVAL) (162T1100-34, -32 OR -29 T/W 2 EA 162T1621-1, 2 EA 162T1622-1 MAY REPLACE BUT NOT BE REPLACED BY 162T1100-6 T/W 2 EA 162T1602-1, 2 EA 162T1603-1, 8 EA BACW10BP5APU, 4 EA NAS6705-7, 4 EA BACN10JC5 FOR CUSTOMER NOT USING TPIS AND HAS INCORPORATED SB767-32-0039) (CONT AT ITEM 232A)	A,C,G ,H,M, N	1

32-21-21

 ILLUSTRATED PARTS LIST
 01.101 Page 1052P
 Nov 01/05


BOEING
 COMPONENT
 MAINTENANCE MANUAL

FIG. & ITEM	PART NO.	AIRLINE PART NUMBER	NOMENCLATURE	EFF CODE	QTY PER ASSY
01-232A	162T1100-6		1234567 .COMPONENT ASSY-SHOCK (CONT FROM ITEM 232) (162T1100-7 WITH QUICK DISCONNECT (QD) I/W 162T1100-6 WITHOUT QD WITH CUSTOMER APPROVAL) (162T1100-19 WITH QUICK DISCONNECT (QD) WITH HIGH PRESSURE CHARGING VALVE MAY REPLACE BUT NOT BE REPLACED BY 162T1100-6 WITHOUT QD AFTER SB767-32-0039 IS INCORPORATED WITH CUSTOMER APPROVAL) (162T1100-8 WITH QUICK DISCONNECT (QD) AND HIGH PRESSURE CHARGING VALVE I/W 162T1100-6 WITHOUT QD WITH CUSTOMER APPROVAL)	A,C,G ,H,M, N	1
-232B	162T1100-7		.COMPONENT ASSY-SHOCK (CONT FROM ITEM 225E) (162T1100-34, -32 OR -29 T/W 2 EA 162T1621-1, 2 EA 162T1622-1 WITHOUT QUICK DISCONNECT(QD) MAY REPLACE BUT NOT BE REPLACED BY 162T1100-7 T/W 2 EA 162T1602-1, 2 EA 162T1603-1, 8 EA BACW10BP5APU, 4 EA NAS6705-7, 4 EA BACN10JC5 WITH QD FOR CUSTOMER NOT USING TPIS AND HAS INCORPORATED SB767-32-0039 WITH CUSTOMER APPROVAL) (CONT AT ITEM 232C)	B,E,F ,J,K, P	1

32-21-21

 ILLUSTRATED PARTS LIST
 01.101 Page 1052Q
 Nov 01/05

FIG. & ITEM	PART NO.	AIRLINE PART NUMBER	NOMENCLATURE	EFF CODE	QTY PER ASSY
01- -232C	162T1100-7		1234567 .COMPONENT ASSY-SHOCK (CONT FROM ITEM 232B) (162T1100-36, -20, -12 OR -9 WITHOUT QUICK DISCONNECT (QD) MAY REPLACE BUT NOT BE REPLACED BY 162T1100-7 WITH QD AFTER SB767-32-0039 IS INCORPORATED WITH CUSTOMER APPROVAL) (162T1100-19 WITH HIGH PRESSURE CHARGING VALVE MAY REPLACE BUT NOT BE REPLACED BY 162T1100-7 AFTER SB767-32-0039 IS INCORPORATED)	B,E,F ,J,K, P	1

32-21-21

 ILLUSTRATED PARTS LIST
 01.101 Page 1052R
 Nov 01/05


BOEING
 COMPONENT
 MAINTENANCE MANUAL

FIG. & ITEM	PART NO.	AIRLINE PART NUMBER	NOMENCLATURE	EFF CODE	QTY PER ASSY
01- -232D	162T1100-13		1234567 .COMPONENT ASSY-SHOCK (CONT FROM ITEM 225N) (162T1100-37, -35, -21, -17, -13 OR -10 MAY REPLACE BUT NOT BE REPLACED BY 162T1100-8 WITH HIGH PRESSURE CHARGING VALVE AFTER SB767-32-0039 IS INCORPORATED WITH CUSTOMER APPROVAL) (1692T1100-37, -35, -21, -17, -13 OR -10 WITH QUICK DISCONNECT (QD) I/W 162T1100-36, -20, -12, -9 WITHOUT QD WITH CUSTOMER APPROVAL) (162T1100-38, -33 OR -30 T/W 2 EA 162T1621-1, 2 EA 162T1622-1 IS I/W 162T1100-37, -35, -21, -17, -13, -10 T/W 2 EA 162T1602-1, 2 EA 162T1603-1, 8 EA BACW10BP5APU, 4 EA NAS6705-7, 4 EA BACN10JC5 FOR CUSTOMERS NOT USING TIRE PRESSURE INDICATOR SYSTEM (TPIS) WITH CUSTOMER APPROVAL) (CONT AT ITEM 232Z)	AF, AJ , AK, A M, AP	1

32-21-21

 ILLUSTRATED PARTS LIST
 01.101 Page 1052S
 Nov 01/05

FIG. & ITEM	PART NO.	AIRLINE PART NUMBER	NOMENCLATURE 1234567	EFF CODE	QTY PER ASSY
01- -232E	162T1100-8		.COMPONENT ASSY-SHOCK (CONT FROM ITEM 225F) (162T1100-38, -33 OR -30 T/W 2 EA 162T1621-1, 2 EA 162T1622-1 MAY REPLACE BUT NOT BE REPLACED BY 162T1100-8 T/W 2 EA 162T1602-1, 2 EA 162T1603-1, 8 EA BACW10BP5APU, 4 EA NAS6705-7, 4 EA BACN10JC5 THAT HAS HIGH PRESSURE CHARGING VALVE FOR CUSTOMERS NOT USING TIRE PRESSURE INDICATOR SYSTEM (TPIS) AND INCORPORATED SB767-32-0039 WITH CUSTOMER APPROVAL) (162T1100-34, -32 OR -29 T/W 2 EA 162T1621-1 2 EA 162T1622-1 WITHOUT QUICK DISCONNECT (QD) MAY REPLACE BUT NOT BE REPLACED BY 162T1100-8 T/W 2 EA 162T1602-1, 2 EA 162T1603-1, 8 EA BACW10BP5APU, 4 EA NAS6705-7, 4 EA BACN10JC5 WITH QD FOR CUSTOMER NOT USING TPIS AND HAS INCORPORATED SB767-32-0039 WITH CUSTOMER APPROVAL) (CONT AT ITEM 232F)	D,L	1

32-21-21

 ILLUSTRATED PARTS LIST
 01.101 Page 1052T
 Nov 01/05


BOEING
 COMPONENT
 MAINTENANCE MANUAL

FIG. & ITEM	PART NO.	AIRLINE PART NUMBER	NOMENCLATURE 1234567	EFF CODE	QTY PER ASSY
01- -232F	162T1100-8		. COMPONENT ASSY-SHOCK (CONT FROM ITEM 232E) (162T1100-36, -20, -12 OR -9 WITHOUT QUICK DISCONNECT (QD) MAY REPLACE BUT NOT BE REPLACED BY 162T1100-8 WITH QD AND HIGH PRESSURE CHARGING VALVE AFTER SB767-32-0039 IS INCORPORATED AND WITH CUSTOMER APPROVAL) (162T1100-19 MAY REPLACE BUT NOT BE REPLACED BY 162T1100-8 AFTER SB767-32-0039 IS INCORPORATED)	D,L	1

32-21-21

 ILLUSTRATED PARTS LIST
 01.101 Page 1052U
 Nov 01/05

FIG. & ITEM	PART NO.	AIRLINE PART NUMBER	NOMENCLATURE 1234567	EFF CODE	QTY PER ASSY
01- -232G	162T1100-33		.COMPONENT ASSY- (CONT FROM ITEM 226T) (162T1100-38, -33 OR -30 T/W 2 EA 162T1621-1, 2 EA 162T1622-1 MAY REPLACE BUT NOT BE REPLACED BY 162T1100-8 T/W 2 EA 162T1602-1, 2 EA 162T1603-1, 8 EA BACW10BP5APU, 4 EA NAS6705-7, 4 EA BACN10JC5 THAT HAS HIGH PRESSURE CHARGING VALVE FOR CUSTOMERS NOT USING TIRE PRESSURE INDICATOR SYSTEM (TPIS) AND INCORPORATED SB767-32-0039 WITH CUSTOMER APPROVAL) (162T1100-38, -33 OR -30 T/W 2 EA 162T1621-1, 2 EA 162T1622-1 WITH QUICK DISCONNECT (QD) IS I/W 162T1100-36, -20, -12, -9 T/W 2 EA 162T1602-1, 2 EA 162T1603-1, 8 EA BACW10BP5APU, 4 EA NAS6705-7, 4 EA BACN10JC5 WITHOUT QD FOR CUSTOMERS NOT USING TIRE PRESSURE INDICATOR SYSTEM (TPIS) WITH CUSTOMER APPROVAL) (CONT AT ITEM 232R)	W,C K-CR	1

32-21-21

 ILLUSTRATED PARTS LIST
 01.101 Page 1052V
 Nov 01/05


BOEING
 COMPONENT
 MAINTENANCE MANUAL

FIG. & ITEM	PART NO.	AIRLINE PART NUMBER	NOMENCLATURE	EFF CODE	QTY PER ASSY
01- -232H	162T1100-30		1234567 .COMPONENT ASSY- (CONT FROM ITEM 227U) (162T1100-38, -33 OR -30 T/W 2 EA 162T1621-1, 2 EA 162T1622-1 MAY REPLACE BUT NOT BE REPLACED BY 162T1100-8 T/W 2 EA 162T1602-1, 2 EA 162T1603-1, 8 EA BACW10BP5APU, 4 EA NAS6705-7, 4 EA BACN10JC5 THAT HAS HIGH PRESSURE CHARGING VALVE FOR CUSTOMERS NOT USING TIRE PRESSURE INDICATOR SYSTEM (TPIS) AND INCORPORATED SB767-32-0039 WITH CUSTOMER APPROVAL) (162T1100-38, -33 OR -30 T/W 2 EA 162T1621-1, 2 EA 162T1622-1 WITH QUICK DISCONNECT (QD) IS I/W 162T1100-36, -20, -12, -9 T/W 2 EA 162T1602-1, 2 EA 162T1603-1, 8 EA BACW10BP5APU, 4 EA NAS6705-7, 4 EA BACN10JC5 WITHOUT QD FOR CUSTOMERS NOT USING TIRE PRESSURE INDICATOR SYSTEM (TPIS) WITH CUSTOMER APPROVAL) (CONT AT ITEM 232S)	BD	1

32-21-21

 ILLUSTRATED PARTS LIST
 01.101 Page 1052W
 Nov 01/05

FIG. & ITEM	PART NO.	AIRLINE PART NUMBER	NOMENCLATURE	EFF CODE	QTY PER ASSY
01- -232J	162T1100-32		1234567 .COMPONENT ASSY- (CONT FROM ITEM 226S) (162T1100-34, -32 OR -29 T/W 2 EA 162T1621-1, 2 EA 162T1622-1 WITHOUT QUICK DISCONNECT (QD) MAY REPLACE BUT NOT BE REPLACED BY 162T1100-8 T/W 2 EA 162T1602-1, 2 EA 162T1603-1, 8 EA BACW10BP5APU, 4 EA NAS6705-7, 4 EA BACN10JC5 WITH QD FOR CUSTOMER NOT USING TPIS AND HAS INCORPORATED SB767-32-0039 WITH CUSTOMER APPROVAL) (162T1100-34, -32 OR -29 T/W 2 EA 162T1621-1, 2 EA 162T1622-1 I/W 162T1100-36, -20, -12 OR -9 T/W 2 EA 162T1602-1, 2 EA 162T1603-1, 8 EA BACW10BP5APU, 4 EA NAS6705-7, 4 EA BACN10JC5 FOR CUSTOMER NOT USING TPIS WITH CUSTOMER APPROVAL) (162T1100-34, -32 OR -29 T/W 2 EA 162T1621-1, 2 EA 162T1622-1 WITHOUT QUICK DISCONNECT (QD) I/W 162T1100-35, -37, -21, -17, -13 OR -10 T/W 2 EA 162T1602-1, 2 EA 162T1603-1, 8 EA BACW10BP5APU, 4 EA NAS6705-7, 4 EA BACN10JC5 WITH QD FOR CUSTOMERS NOT USING TPIS WITH CUSTOMER APPROVAL) (CONT AT ITEM 232T)	CE-CJ	1

32-21-21

 ILLUSTRATED PARTS LIST
 01.101 Page 1052X
 Nov 01/05


BOEING
 COMPONENT
 MAINTENANCE MANUAL

FIG. & ITEM	PART NO.	AIRLINE PART NUMBER	NOMENCLATURE	EFF CODE	QTY PER ASSY
01- -232K	162T1100-29		1234567 .COMPONENT ASSY- (CONT FROM ITEM 226J) (162T1100-34, -32 OR -29 T/W 2 EA 162T1621-1, 2 EA 162T1622-1 I/W 162T1100-36, -20, -12 OR -9 T/W 2 EA 162T1602-1, 2 EA 162T1603-1, 8 EA BACW10BP5APU, 4 EA NAS6705-7, 4 EA BACN10JC5 FOR CUSTOMER NOT USING TPIS WITH CUSTOMER APPROVAL) (162T1100-34, -32 OR -29 T/W 2 EA 162T1621-1, 2 EA 162T1622-1 WITHOUT QUICK DISCONNECT (QD) I/W 162T1100-35, -37, -21, -17, -13 OR -13 OR -10 T/W 2 EA 162T1602-1 2 EA 162T1603-1, 8 EA BACW10BP5APU, 4 EA NAS6705-7, 4 EA BACN10JC5 WITH QD FOR CUSTOMERS NOT USING TPIS WITH CUSTOMER APPROVAL) (CONT AT ITEM 232W)	EL	1

32-21-21

 ILLUSTRATED PARTS LIST
 01.101 Page 1052Y
 Nov 01/05

FIG. & ITEM	PART NO.	AIRLINE PART NUMBER	NOMENCLATURE	EFF CODE	QTY PER ASSY
01- -232L	162T1100-12		1234567 .COMPONENT ASSY-SHOCK (CONT FROM ITEM 225M) (162T1100-36, -20, -12 OR -9 WITHOUT QUICK DISCONNECT (QD) MAY REPLACE BUT NOT BE REPLACED BY 162T1100-8 WITH QD AND HIGH PRESSURE CHARGING VALVE AFTER SB767-32-0039 IS INCORPORATED AND WITH CUSTOMER APPROVAL) (162T1100-37, -35, -21, -17, -13 OR -10 WITH QUICK DISCONNECT (QD) I/W 162T1100-36, -20, -12, -9 WITHOUT QD WITH CUSTOMER APPROVAL) (162T1100-38, -33 OR -30 T/W 2 EA 162T1621-1 2 EA 162T1622-1 WITH QUICK DISCONNECT (QD) IS I/W 162T1100-36, -20 -12, -9 T/W 2 EA 162T1602-1, 2 EA 162T1603-1, 8 EA BACW10BP5APU, 4 EA NAS6705-7, 4 EA BACN10JC5 WITHOUT QD FOR CUSTOMERS NOT USING TIRE PRESSURE INDICATOR INDICATOR SYSTEM (TPIS) WITH CUSTOMER APPROVAL) (162T1100-34, -32 OR -29 T/W 2 EA 162T1621-1, 2 EA 162T1622-1 I/W 162T1100-36, -20, -12 OR -9 T/W 2 EA 162T1602-1 2 EA 162T1603-1, 8 EA BACW10BP5APU, 4 EA NAS6705-7, 4 EA BACN10JC5 FOR CUSTOMER NOT USING TPIS WITH CUSTOMER APPROVAL) (CONT AT ITEM 232U)	Q,AC, AD,AE ,AN,A S	1

32-21-21

 ILLUSTRATED PARTS LIST
 01.101 Page 1052Z
 Nov 01/05


BOEING
 COMPONENT
 MAINTENANCE MANUAL

FIG. & ITEM	PART NO.	AIRLINE PART NUMBER	NOMENCLATURE 1234567	EFF CODE	QTY PER ASSY
01- -232M	162T1100-9		. COMPONENT ASSY-SHOCK (CONT FROM ITEM 225G) (162T1100-36, -20, -12 OR -9 WITHOUT QUICK DISCONNECT (QD) MAY REPLACE BUT NOT BE REPLACED BY 162T1100-8 WITH QD AND HIGH PRESSURE CHARGING VALVE AFTER SB767-32-0039 IS INCORPORATED AND WITH CUSTOMER APPROVAL) (162T1100-37, -35, -21, -17, -13 OR -10 WITH QUICK DISCONNECT (QD) I/W 162T1100-36, -20, -12, -9 WITHOUT QD WITH CUSTOMER APPROVAL) (162T1100-19 WITH QUICK DISCONNECT (QD) WITH HIGH PRESSURE CHARGING VALVE I/W 162T1100-12 OR -9 WITHOUT QD WITH CUSTOMER APPROVAL) (CONT AT ITEM 232N)	R-T	1

32-21-21

 ILLUSTRATED PARTS LIST
 01.101 Page 1053
 Nov 01/05

FIG. & ITEM	PART NO.	AIRLINE PART NUMBER	NOMENCLATURE 1234567	EFF CODE	QTY PER ASSY
01- -232N	162T1100-9		.COMPONENT ASSY-SHOCK (CONT FROM ITEM 232M) (162T1100-38, -33 OR -30 T/W 2 EA 162T1621-1, 2 EA 162T1622-1 WITH QUICK DISCONNECT (QD) IS I/W 162T1100-36, -20, -12, -9 T/W 2 EA 162T1602-1, 2 EA 162T1603-1, 8 EA BACW10BP5APU, 4 EA NAS6705-7, 4 EA BACN10JC5 WITHOUT QD FOR CUSTOMERS NOT USING TIRE PRESSURE INDICATOR SYSTEM (TPIS) WITH CUSTOMER APPROVAL) (162T1100-34, -32 OR -29 T/W 2 EA 162T1621-1, 2 EA 162T1622-1 I/W 162T1100-36, -20, -12 OR -9 T/W 2 EA 162T1602-1, 2 EA 162T1603-1, 8 EA BACW10BP5APU, 4 EA NAS6705-7, 4 EA BACN10JC5 FOR CUSTOMER NOT USING TPIS WITH CUSTOMER APPROVAL)	R-T	1

32-21-21

 ILLUSTRATED PARTS LIST
 01.101 Page 1054
 Nov 01/05


BOEING
 COMPONENT
 MAINTENANCE MANUAL

FIG. & ITEM	PART NO.	AIRLINE PART NUMBER	NOMENCLATURE 1234567	EFF CODE	QTY PER ASSY
01- -232P	162T1100-10		.COMPONENT ASSY-SHOCK (CONT FROM ITEM 225H) (162T1100-38, -33 OR -30 T/W 2 EA 162T1621-1, 2 EA 162T1622-1 IS I/W 162T1100-37, -35, -21, -17, -13, -10 T/W 2 EA 162T1602-1, 2 EA 162T1603-1, 8 EA BACW10BP5APU, 4 EA NAS6705-7, 4 EA BACN10JC5 FOR CUSTOMERS NOT USING USING TIRE INDICATOR SYSTEM (TPIS) WITH CUSTOMER APPROVAL) (162T1100-34, -32 OR -29 T/W 2 EA 162T1621-1, 2 EA 162T1622-1 WITHOUT QUICK DISCONNECT (QD) I/W 162T1100-35, -37, -21, -17, -13 OR -10 T/W 2 EA 162T1602-1, 2 EA 162T1603-1, 8 EA BACW10BP5APU, 4 EA NAS6705-7, 4 EA BACN10JC5 WITH QD FOR CUSTOMERS NOT USING TPIS WITH CUSTOMER APPROVAL) (162T1100-34, -32 OR -29 T/W 2 EA 162T1621-1, 2 EA 162T1622-1 WITHOUT QUICK DISCONNECT (QD) I/W 162T1100-35, -37, -21, -17, -13, OR -10 T/W 2 EA 162T1602-1, 2 EA 162T1603-1, 8 EA BACW10BP5APU, 4 EA NAS6705-7, 4 EA BACN10JC5 WITH QD FOR CUSTOMERS NOT USING TPIS WITH CUSTOMER APPROVAL) (CONT AT ITEM 232Q)	V,X	1

32-21-21

 ILLUSTRATED PARTS LIST
 01.101 Page 1054A
 Nov 01/05

FIG. & ITEM	PART NO.	AIRLINE PART NUMBER	NOMENCLATURE 1234567	EFF CODE	QTY PER ASSY
01- -232Q	162T1100-10		.COMPONENT ASSY-SHOCK (CONT FROM ITEM 232P) (162T1100-19 WITH HIGH PRESSURE CHARGING VALVE I/W 162T1100-17, -13 OR -10 WITH CUSTOMER APPROVAL)	V,X	1
-232R	162T1100-33		.COMPONENT ASSY- (CONT FROM ITEM 232G) (162T1100-38, -33 OR -30 T/W 2 EA 162T1621-1 2 EA 162T1622-1 IS I/W 162T1100-37, -35, -21, -17, -13, -10 T/W 2 EA 162T1602-1, 2 EA 162T1603-1, 8 EA BACW10BP5APU, 4 EA NAS6705-7, 4 EA BACN10JC5 FOR CUSTOMERS NOT USING TIRE PRESSURE INDICATOR SYSTEM (TPIS) WITH CUSTOMER APPROVAL) (162T1100-38, -33 OR -30 T/W 2 EA 162T1621-1, 2 EA 162T1622-1 I/W 162T1100-19 T/W 2 EA 162T1602-1, 2 EA 162T1603-1, 8 EA BACW10BP5APU, 4 EA NAS6705-7, 4 EA BACN10JC5 THAT HAS HIGH PRESSURE CHARGING VALVE FOR CUSTOMERS NOT USING TPIS WITH CUSTOMER APPROVAL) (CONT AT ITEM 233C)	W,C K-CR	1

32-21-21

 ILLUSTRATED PARTS LIST
 01.101 Page 1054B
 Nov 01/05



BOEING
 COMPONENT
 MAINTENANCE MANUAL

FIG. & ITEM	PART NO.	AIRLINE PART NUMBER	NOMENCLATURE	EFF CODE	QTY PER ASSY
01- -232S	162T1100-30		1234567 .COMPONENT ASSY- (CONT FROM ITEM 232H) (162T1100-38, -33 OR -30 T/W 2 EA 162T1621-1, 2 EA 162T1622-1 IS I/W 162T1100-37, -35, -21, -17, -13, -10 T/W 2 EA 162T1602-1, 2 EA 162T1603-1, 8 EA BACW10BP5APU, 4 EA NAS6705-7, 4 EA BACN10JC5 FOR CUSTOMERS NOT USING TIRE PRESSURE INDICATOR SYSTEM (TPIS) WITH CUSTOMER APPROVAL) (162T1100-38, -33 OR -30 T/W 2 EA 162T1621-1, 2 EA 162T1622-1 I/W 162T1100-19 T/W 2 EA 162T1602-1, 2 EA 162T1603-1, 8 EA BACW10BP5APU, 4 EA NAS6705-7, 4 EA BACN10JC5 THAT HAS HIGH PRESSURE CHARGING VALVE FOR CUSTOMERS NOT USING TPIS WITH CUSTOMER APPROVAL) (CONT AT ITEM 233D)	BD	1

32-21-21

ILLUSTRATED PARTS LIST
 01.101 Page 1054C
 Nov 01/05

FIG. & ITEM	PART NO.	AIRLINE PART NUMBER	NOMENCLATURE 1234567	EFF CODE	QTY PER ASSY
01- -232T	162T1100-32		.COMPONENT ASSY- (CONT FROM ITEM 232J) (162T1100-34, -32 OR -29 T/W 2 EA 162T1621-1, 2 EA 162T1622-1 WITHOUT QUICK DISCONNECT (QD) I/W 162T1100-19 T/W 2 EA 162T1602-1, 2 EA 162T1603-1, 8 EA BACW10BP5APU, 4 EA NAS6705-7, 4 EA BACN10JC5 WITH QD AND WITH HIGH PRESSURE CHARGING VALVE FOR CUSTOMER NOT USING TPIS WITH CUSTOMER APPROVAL) (CONT AT ITEM 233E)	CE-CJ	1
-232U	162T1100-12		.COMPONENT ASSY-SHOCK (CONT FROM ITEM 232L) (162T1100-19 WITH QUICK DISCONNECT (QD) WITH HIGH PRESSURE CHARGING VALVE I/W 162T1100-12 OR -9 WITHOUT QD WITH CUSTOMER APPROVAL)	Q,AC, AD,AE ,AS	1
-232V	162T1136-002		.COMPONENT ASSY- (CONT FROM ITEM 228A) (-002 MAY REPLACE -12 FOR 767-200 WITH SOME WEIGHT PENALTY WITH CUSTOMER APPROVAL AND CUSTOMER APPROVAL FOR USING QUICK DISCONNECTS) (-002 MAY REPLACE -13 FOR 767-200 WITH SOME WEIGHT PENALTY WITH CUSTOMER APPROVAL)	AA,AB ,AH	1

32-21-21

 ILLUSTRATED PARTS LIST
 01.101 Page 1054D
 Nov 01/05


BOEING
 COMPONENT
 MAINTENANCE MANUAL

FIG. & ITEM	PART NO.	AIRLINE PART NUMBER	NOMENCLATURE 1234567	EFF CODE	QTY PER ASSY
01- -232W	162T1100-29		.COMPONENT ASSY- (CONT FROM ITEM 232K) (162T1100-34, -32 OR -29 T/W 2 EA 162T1621-1, 2 EA 162T1622-1 WITHOUT QUICK DISCONNECT (QD) I/W 162T1100-19 T/W 2 EA 162T1602-1, 2 EA 162T1603-1, 8 EA BACW10BP5APU, 4 EA NAS6705-7, 4 EA BACN10JC5 WITH QD AND WITH HIGH PRESSURE CHARGING VALVE FOR CUSTOMER NOT USING TPIS WITH CUSTOMER APPROVAL) (162T1100-38, -33 OR -30 WITH QUICK DISCONNECT (QD) FEATURE IS I/W 162T1100-34, -32 OR -29 WITHOUT QD FEATURE WITH CUSTOMER APPROVAL) (CONT AT ITEM 233L)	EL	1

32-21-21

 ILLUSTRATED PARTS LIST
 01.101 Page 1054E
 Nov 01/05

FIG. & ITEM	PART NO.	AIRLINE PART NUMBER	NOMENCLATURE 1234567	EFF CODE	QTY PER ASSY
01- -232Y	162T1100-19		.COMPONENT ASSY- (CONT FROM ITEM 225Y) (162T1100-38, -33 OR -30 T/W 2 EA 162T1621-1, 2 EA 162T1621-1, 2 EA 162T1622-1 I/W 162T1100-19 T/W 2 EA 162T1602-1, 2 EA 162T1603-1, 8 EA BACW10BP5APU, 4 EA NAS6705-7, 4 EA BACN10JC5 THAT HAS HIGH PRESSURE CHARGING VALVE FOR CUSTOMERS NOT USING TPIS WITH CUSTOMER APPROVAL) (162T1100-34, -32 OR -29 T/W 2 EA 162T1621-1, 2 EA 162T1622-1 WITHOUT QUICK DISCONNECT (QD) I/W 162T1100-19 T/W 2 EA 162T1602-1, 2 EA 162T1603-1, 8 EA BACW10BP5APU, 4 EA NAS6705-7, 4 EA BACN10JC5 WITH QD AND WITH HIGH PRESSURE CHARGING VALVE FOR CUSTOMER NOT USING TPIS WITH CUSTOMER APPROVAL) (CONT AT ITEM 233B)	Y	1

32-21-21

 ILLUSTRATED PARTS LIST
 01.101 Page 1054F
 Nov 01/05


BOEING
 COMPONENT
 MAINTENANCE MANUAL

FIG. & ITEM	PART NO.	AIRLINE PART NUMBER	NOMENCLATURE 1234567	EFF CODE	QTY PER ASSY
01- -232Z	162T1100-13		.COMPONENT ASSY- (CONT FROM ITEM 232D) (162T1100-34, -32 OR -29 T/W 2 EA 162T1621-1, 2 EA 162T1622-1 WITHOUT QUICK DISCONNECT (QD) I/W 162T1100-35, -37, -21, -17, -13 OR -10 T/W 2 EA 162T1602-1, 2 EA 162T1603-1, 8 EA BACW10BP5APU, 4 EA NAS6705-7, 4 EA BACN10JC5 WITH QD FOR CUSTOMERS NOT USING TPIS WITH CUSTOMER APPROVAL) (162T1100-19 WITH HIGH PRESSURE CHARGING VALVE I/W 162T1100-17, -13 OR -10 WITH CUSTOMER APPROVAL)	AF, AJ , AK, A M, AP	1

32-21-21

 ILLUSTRATED PARTS LIST
 01.101 Page 1054G
 Nov 01/05

FIG. & ITEM	PART NO.	AIRLINE PART NUMBER	NOMENCLATURE	EFF CODE	QTY PER ASSY
01- -233	162T1100-36		1234567 .COMPONENT ASSY- (CONT FROM ITEM 227N) (162T1100-36, -20, -12 OR -9 WITHOUT QUICK DISCONNECT (QD) I/W 162T1100-19 WITH QD AND HIGH PRESSURE CHARGING VALVE WITH CUSTOMER APPROVAL) (162T1100-34, -32 OR -29 T/W 2 EA 162T1621-1, 2 EA 162T1622-1 I/W 162T1100-36, -20, -12 OR -9 T/W 2 EA 162T1602-1, 2 EA 162T1603-1, 8 EA BACW10BP5APU, 4 EA NAS6705-7, 4 EA BACN10JC5 FOR CUSTOMER NOT USING TPIS WITH CUSTOMER APPROVAL) (162T1100-38, -33 OR -30 T/W 2 EA 162T1621-1, 2 EA 162T1622-1 WITH QUICK DISCONNECT (QD) IS I/W 162T1100-36, -20, -12, -9 T/W 2 EA 162T1602-1, 2 EA 162T1603-1, 8 EA BACW10BP5APU, 4 EA NAS6705-7, 4 EA BACN10JC5 WITHOUT QD FOR CUSTOMERS NOT USING TIRE PRESSURE INDICATOR SYSTEM (TPIS) WITH CUSTOMER APPROVAL) (CONT AT ITEM 233T)	CQ	1

32-21-21

 ILLUSTRATED PARTS LIST
 01.101 Page 1054H
 Nov 01/05


BOEING
 COMPONENT
 MAINTENANCE MANUAL

FIG. & ITEM	PART NO.	AIRLINE PART NUMBER	NOMENCLATURE	EFF CODE	QTY PER ASSY
01- -233A	162T1100-17		1234567 .COMPONENT ASSY- (CONT FROM ITEM 225S) (162T1100-34, -32 OR OR -29 T/W 2 EA 162T1621-1, 2 EA 162T1622-1 WITHOUT QUICK DISCONNECT (QD) I/W 162T1100-35, -37, -21, -17, -13 OR -10 T/W 2 EA 162T1602-1, 2 EA 162T1603-1, 8 EA BACW10BP5APU, 4 EA NAS6705-7, 4 EA BACN10JC5 WITH QD FOR CUSTOMERS NOT USING TPIS WITH CUSTOMER APPROVAL) (162T1100-19 WITH HIGH PRESSURE CHARGING VALVE I/W 162T1100-17, -13 OR -10 WITH CUSTOMER APPROVAL) (162T1100-38, -33 OR -30 T/W 2 EA 162T1621-1, 2 EA 162T1622-1 IS I/W 162T1100-37, -35, -21, -17, -13, -10 T/W 2 EA 162T1602-1, 2 EA 162T1603-1, 8 EA BACW10BP5APU, 4 EA NAS6705-7, 4 EA BACN10JC5 FOR CUSTOMERS NOT USING TIRE PRESSURE INDICATOR SYSTEM (TPIS) WITH CUSTOMER APPROVAL) (CONT AT ITEM 233J)	BQ	1

32-21-21

 ILLUSTRATED PARTS LIST
 01.101 Page 1054I
 Nov 01/05

FIG. & ITEM	PART NO.	AIRLINE PART NUMBER	NOMENCLATURE 1234567	EFF CODE	QTY PER ASSY
01- -233B	162T1100-19		.COMPONENT ASSY- (CONT FROM ITEM 232Y) (162T1100-37, -35, -21, -17, -13 OR -10 I/W 162T1100-19 WITH HIGH PRESSURE CHARGING VALVE WITH CUSTOMER APPROVAL) (162T1100-36, -20, -12 OR -9 WITHOUT QUICK DISCONNECT (QD) I/W 162T1100-19 WITH QD AND HIGH PRESSURE CHARGING VALVE WITH CUSTOMER APPROVAL) (162T1100-36, -20, -12 OR -9 WITHOUT QUICK DISCONNECT (QD) MAY REPLACE BUT NOT BE REPLACED BY 162T1100-7 WITH QD AFTER SB767-32-0039 IS INCORPORATED WITH CUSTOMER APPROVAL)	Y	1
-233C	162T1100-33		.COMPONENT ASSY- (CONT FROM ITEM 232R) (162T1100-38, -33 OR -30 WITH QUICK DISCONNECT (QD) FEATURE IS I/W 162T1100-34, -32 OR -29 WITHOUT QD FEATURE WITH CUSTOMER APPROVAL) (CONT AT ITEM 233P)	W,C K-CR	1
-233D	162T1100-30		.COMPONENT ASSY- (CONT FROM ITEM 232S) (162T1100-38, -33 OR -30 WITH QUICK DISCONNECT (QD) FEATURE IS I/W 162T1100-34, -32 OR -29 WITHOUT QD FEATURE WITH CUSTOMER APPROVAL) (CONT AT ITEM 233M)	BD	1

32-21-21

 ILLUSTRATED PARTS LIST
 01.101 Page 1054J
 Nov 01/05


BOEING
 COMPONENT
 MAINTENANCE MANUAL

FIG. & ITEM	PART NO.	AIRLINE PART NUMBER	NOMENCLATURE 1234567	EFF CODE	QTY PER ASSY
01- -233E	162T1100-32		.COMPONENT ASSY- (CONT FROM ITEM 232T) (162T1100-38, -33 OR -30 WITH QUICK DISCONNECT (QD) FEATURE IS I/W 162T1100-34, -32 OR -29 WITHOUT QD FEATURE WITH CUSTOMER APPROVAL) (CONT AT ITEM 233N)	CE-CJ	1
-233F	162T1100-37		.COMPONENT ASSY- (CONT FROM ITEM 227P) (162T1100-37, -35, -21, -17, -13 OR -10 I/W 162T1100-19 WITH HIGH PRESSURE CHARGING VALVE WITH CUSTOMER APPROVAL) (162T1100-34, -32 OR -29 T/W 2 EA 162T1621-1, 2 EA 162T1622-1 WITHOUT QUICK DISCONNECT (QD) I/W 162T1100-35, -37, -21, -17, -13 OR -10 T/W 2 EA 162T1602-1, 2 EA 162T1603-1, 8 EA BACW10BP5APU, 4 EA NAS6705-7, 4 EA BACN10JC5 WITH QD FOR CUSTOMERS NOT USING TPIS WITH CUSTOMER APPROVAL) (162T1100-38, -33 OR -30 T/W 2 EA 162T1621-1, 2 EA 162T1622-1 IS I/W 162T1100-37, -35, -21, -17, -13, -10 T/W 2 EA 162T1602-1, 2 EA 162T1603-1, 8 EA BACW10BP5APU, 4 EA NAS6705-7, 4 EA BACN10JC5 FOR CUSTOMERS NOT USING TIRE PRESSURE INDICATOR SYSTEM (TPIS) WITH CUSTOMER APPROVAL) (CONT AT ITEM 233Q)	CZ	1

32-21-21

 ILLUSTRATED PARTS LIST
 01.101 Page 1054K
 Nov 01/05

FIG. & ITEM	PART NO.	AIRLINE PART NUMBER	NOMENCLATURE	EFF CODE	QTY PER ASSY
01- -233G	162T1100-35		1234567 .COMPONENT ASSY- (CONT FROM ITEM 227M) (162T1100-37, -35, -21, -17, -13 OR -10 I/W 162T1100-19 WITH HIGH PRESSURE CHARGING VALVE WITH CUSTOMER APPROVAL) (162T1100-34, -32 OR -29 T/W 2 EA 162T1621-1, 2 EA 162T1622-1 WITHOUT QUICK DISCONNECT (QD) I/W 162T1100-35, -37, -21, -17, -13 OR -10 T/W 2 EA 162T1602-1, 2 EA 162T1603-1, 8 EA BACW10BP5APU, 4 EA NAS6705-7, 4 EA BACN10JC5 WITH QD FOR CUSTOMERS NOT USING TPIS WITH CUSTOMER APPROVAL) (162T1100-38, -33 OR -30 T/W 2 EA 162T1621-1, 2 EA 162T1622-1 IS I/W 162T1100-37, -35, -21, -17, -13, -10 T/W 2 EA 162T1602-1, 2 EA 162T1603-1, 8 EA BACW10BP5APU, 4 EA NAS6705-7, 4 EA BACN10JC5 FOR CUSTOMERS NOT USING TIRE PRESSURE INDICATOR SYSTEM (TPIS) WITH CUSTOMER APPROVAL)	EQ	1

32-21-21

 ILLUSTRATED PARTS LIST
 01.101 Page 1054L
 Nov 01/05

BOEING
 COMPONENT
 MAINTENANCE MANUAL

FIG. & ITEM	PART NO.	AIRLINE PART NUMBER	NOMENCLATURE	EFF CODE	QTY PER ASSY
01- -233H	162T1100-20		1234567 .COMPONENT ASSY- (CONT FROM ITEM 225Z) (162T1100-38, -33 OR -30 T/W 2 EA 162T1621-1, 2 EA 162T1622-1 WITH QUICK DISCONNECT (QD) IS I/W 162T1100-36, -20, -12, -9 T/W 2 EA 162T1602-1, 2 EA 162T1603-1, 8 EA BACW10BP5APU, 4 EA NAS6705-7, 4 EA BACN10JC5 WITHOUT QD FOR CUSTOMERS NOT USING TIRE PRESSURE INDICATOR SYSTEM (TPIS) WITH CUSTOMER APPROVAL) (162T1100-34, -32 OR -29 T/W 2 EA 162T1621-1, 2 EA 162T1622-1 I/W 162T1100-36, -20, -12, OR -9 T/W 2 EA 162T1602-1, 2 EA 162T1603-1, 8 EA BACW10BP5APU, 4 EA NAS6705-7, 4 EA BACN10JC5 FOR CUSTOMER NOT USING TPIS WITH CUSTOMER APPROVAL)	AU,AZ ,BA,B Y	1
-233J	162T1100-17		.COMPONENT ASSY- (CONT FROM ITEM 233A)	BQ	1

32-21-21

ILLUSTRATED PARTS LIST
 01.101 Page 1054M
 Nov 01/05

FIG. & ITEM	PART NO.	AIRLINE PART NUMBER	NOMENCLATURE 1234567	EFF CODE	QTY PER ASSY
01- -233K	162T1100-21		.COMPONENT ASSY- (CONT FROM ITEM 226) (162T1100-34, -32 OR -29 T/W 2 EA 162T1621-1, 2 EA 162T1622-1 WITHOUT QUICK DISCONNECT (QD) I/W 162T1100-35, -37, -21, -17, -13 OR -10 T/W 2 EA 162T1602-1, 2 EA 162T1603-1, 8 EA BACW10BP5APU, 4 EA NAS6705-7, 4 EA BACN10JC5 WITH QD FOR CUSTOMERS NOT USING TPIS WITH CUSTOMER APPROVAL) (162T1100-38, -33 OR -30 T/W 2 EA 162T1621-1, 2 EA 162T1622-1 IS I/W 162T1100-37, -35, -21, -17, -13, -10 T/W 2 EA 162T1602-1, 2 EA 162T1603-1, 8 EA BACW10BP5APU, 4 EA NAS6705-7, 4 EA BACN10JC5 FOR CUSTOMERS NOT USING TIRE PRESSURE INDICATOR SYSTEM (TPIS) WITH CUSTOMER APPROVAL) (CONT AT ITEM 233S)	U,AG, AR,BE ,BZ	1
-233L	162T1100-29		.COMPONENT ASSY- (CONT FROM ITEM 232W)	EL	1
-233M	162T1100-30		.COMPONENT ASSY- (CONT FROM ITEM 233D)	BD	1
-233N	162T1100-32		.COMPONENT ASSY- (CONT FROM ITEM 233E)	CE-CJ	1
-233P	162T1100-33		.COMPONENT ASSY- (CONT FROM ITEM 233C)	W,C K-CR	1
-233Q	162T1100-37		.COMPONENT ASSY- (CONT FROM ITEM 233F)	CZ	1
-233R	162T1100-35		.COMPONENT ASSY- (CONT FROM ITEM 233G)	EQ	1
-233S	162T1100-21		.COMPONENT ASSY- (CONT FROM ITEM 233K)	U,AG, AR,BE ,BZ	1

32-21-21

 ILLUSTRATED PARTS LIST
 01.101 Page 1054N
 Nov 01/05


BOEING
 COMPONENT
 MAINTENANCE MANUAL

FIG. & ITEM	PART NO.	AIRLINE PART NUMBER	NOMENCLATURE 1234567	EFF CODE	QTY PER ASSY
01- -233T	162T1100-36		.COMPONENT ASSY- (CONT FROM ITEM 233)	CQ	1
R 235	162T4014-2		DELETED		
R 236	NAS623-4-15		.SCREW	BB,B G-BL, BW,CS	2
R 237	BACW10P186CC		.WASHER	BB,B G-BL, BW,CS	2
R 238	BACB28AK08-065		.BUSHING	BB,B G-BL, BW,CS	2
R 239	BACB28Z4-068		.BUSHING	BB,B G-BL, BW,CS	2
R 240	1728B		DELETED		
R 241	NAS1149D0416J		.WASHER	BB,B G-BL, BW,CS	2
R 242	BACN10JC4CD		.NUT	BB,B G-BL, BW,CS	2
245	161T1210-40		DELETED		
250	162T4014-3		DELETED		
250A	162T4014-1		.BRACKET ASSY		1
251	162T4014-2		.BRACKET ASSY		1
252	1728B		..FITTING-LUBE (V95879)		1
253	161T1210-40		..BUSHING		2

32-21-21

 ILLUSTRATED PARTS LIST
 01.101 Page 10540
 Nov 01/05

FIG. & ITEM	PART NO.	AIRLINE PART NUMBER	NOMENCLATURE 1234567	EFF CODE	QTY PER ASSY
01-254	162T4014-3		..BRACKET-ROD ATTACH (USED ON ITEM 250A)		1
255	162T4014-4		..BRACKET-ROD ATTACH (USED ON ITEM 235)		1
260	162T4019-1		.PIN ASSY-SWIVEL ATTACHING PARTS		2
265	MS24665-304		.PIN-COTTER	A-BA, BC-BF ,BM-B V,B X-BZ CB-CR ,CT,C Z,DB, DD,DF ,DK DN-DP ,DS- EA,E C-EH, EK-ES	2
R -265A	BACP18BC03A10P		.PIN-COTTER	BB,B G-BL, BW,CS	2
270	162T2015-9		.WASHER-TANG		2
275	BACW10BN7UP		.WASHER		2
280	LCN12-720		DELETED		
280A	MS14144L7		.NUT	A-BA, BC-BF ,BM-B V,B X-BZ CB-CR ,CT,C Z,DB, DD,DF ,DK DN-DP ,DS- EA,E C-EH, EK-ES	2

32-21-21

 ILLUSTRATED PARTS LIST
 01.101 Page 1054P
 Nov 01/05

BOEING
 COMPONENT
 MAINTENANCE MANUAL

FIG. & ITEM	PART NO.	AIRLINE PART NUMBER	NOMENCLATURE	EFF CODE	QTY PER ASSY
R 01-280B	BACN11N7CD		.NUT	BB,B G-BL, BW,CS	2
			-----*-----		
285	1728B		..FITTING-LUBE (V95879)		1
290	161T1210-15		..BUSHING		2
295	162T4019-2		..PIN		1
-300	272T6200-1		.HYDRAULICS INSTL- (FOR DETAILS SEE FIG. 2)	A-BA, BC-BF ,BM-B V,B X-BZ CB-CR ,CT,C Z,DB, DD,DF ,DK DN-DP ,DS- EA,E C-EH, EK-ES	1
305	162T5013-5		.WASHER		4
310	162T5013-6		.WASHER		4
315	162T1415-1		.TERMINAL-GROUNDING		1
320	AN960-616		.WASHER	A-BA, BC-BF ,BM-B V,B X-BZ CB-CR ,CT,C Z,DB, DD,DF ,DK DN-DP ,DS- EA,E C-EH, EK-ES	1

32-21-21

ILLUSTRATED PARTS LIST
 01.101 Page 1054Q
 Nov 01/05

FIG. & ITEM	PART NO.	AIRLINE PART NUMBER	NOMENCLATURE	EFF CODE	QTY PER ASSY
R 01-320A	NAS1149F0663P		.WASHER	BB,B G-BL, BW,CS	1
325	BACN10JC6		.NUT	A-BA, BC-BF ,BM-B V,B X-BZ CB-CR ,CT,C Z,DB, DD,DF ,DK DN-DP ,DS- EA,E C-EH, EK-ES	1
R -325A	BACW10JC6CD		.NUT	BB,B G-BL, BW,CS	1
330	MS35333-42		.WASHER		1
-335	257T4000-2		.CONTROL INSTL	A-BA, BC-BF ,BM-B V,B X-BZ CB-CR ,CT,C Z,DB, DD,DF ,DK DN-DP ,DS- EA,E C-EH, EK-ES	1

32-21-21

 ILLUSTRATED PARTS LIST
 01.101 Page 1054R
 Nov 01/05

BOEING
 COMPONENT
 MAINTENANCE MANUAL

FIG. & ITEM	PART NO.	AIRLINE PART NUMBER	NOMENCLATURE 1234567	EFF CODE	QTY PER ASSY
01-					
-335A	257T4000-9		DELETED		
-335B	257T4000-2		DELETED		
-335C	257T4000-8		DELETED		
-335D	257T4000-8		DELETED		
-335E	257T4000-9		DELETED		
-335F	257T4000-2		DELETED		
-335G	257T4000-9		DELETED		
-336	257T4000-5003		..CONTROL INSTL- (LIMITED) (FOR DETAILS SEE FIG. 3)	A-BA, BC-BF ,BM-B V,B X-BZ CB-CR ,CT,C Z,DB, DD,DF ,DK DN-DP ,DS- EA,E C-EH, EK-ES	1
-336A	257T4000-5004		..CONTROL INSTL- (LIMITED) (FOR DETAILS SEE FIG. 3)	A-BA, BC-BF ,BM-B V,B X-BZ CB-CR ,CT,C Z,DB, DD,DF ,DK DN-DP ,DS- EA,E C-EH, EK-ES	1

32-21-21

ILLUSTRATED PARTS LIST
 01.101 Page 1054S
 Nov 01/05

FIG. & ITEM	PART NO.	AIRLINE PART NUMBER	NOMENCLATURE 1234567	EFF CODE	QTY PER ASSY
01- -336B	257T4000-5015		..CONTROL INSTL- (LIMITED) (FOR DETAILS SEE FIG. 3)	A-BA, BC-BF ,BM-B V,B X-BZ CB-CR ,CT,C Z,DB, DD,DF ,DK DN-DP ,DS- EA,E C-EH, EK-ES	1
-336C	257T4000-5021		..CONTROL INSTL- (LIMITED) (FOR DETAILS SEE FIG. 3)	A-BA, BC-BF ,BM-B V,B X-BZ CB-CR ,CT,C Z,DB, DD,DF ,DK DN-DP ,DS- EA,E C-EH, EK-ES	1
-336D	257T4000-5022		..CONTROL INSTL- (LIMITED) (FOR DETAILS SEE FIG. 3)	A-BA, BC-BF ,BM-B V,B X-BZ CB-CR ,CT,C Z,DB, DD,DF ,DK DN-DP ,DS- EA,E C-EH, EK-ES	1

32-21-21

 ILLUSTRATED PARTS LIST
 01.101 Page 1054T
 Nov 01/05

BOEING
 COMPONENT
 MAINTENANCE MANUAL

FIG. & ITEM	PART NO.	AIRLINE PART NUMBER	NOMENCLATURE	EFF CODE	QTY PER ASSY
01- -336E	257T4000-5023		1234567 ..CONTROL INSTL- (LIMITED) (FOR DETAILS SEE FIG. 3)	A-BA, BC-BF ,BM-B V,B X-BZ CB-CR ,CT,C Z,DB, DD,DF ,DK DN-DP ,DS- EA,E C-EH, EK-ES	1
-336F	257T4000-5024		..CONTROL INSTL- (LIMITED) (FOR DETAILS SEE FIG. 3)	A-BA, BC-BF ,BM-B V,B X-BZ CB-CR ,CT,C Z,DB, DD,DF ,DK DN-DP ,DS- EA,E C-EH, EK-ES	1
-336G	257T4000-5025		..CONTROL INSTL- (LIMITED) (FOR DETAILS SEE FIG. 3)	A-BA, BC-BF ,BM-B V,B X-BZ CB-CR ,CT,C Z,DB, DD,DF ,DK DN-DP ,DS- EA,E C-EH, EK-ES	1

32-21-21

ILLUSTRATED PARTS LIST
 01.101 Page 1054U
 Nov 01/05

FIG. & ITEM	PART NO.	AIRLINE PART NUMBER	NOMENCLATURE 1234567	EFF CODE	QTY PER ASSY
01- -336H	257T4000-5026		..CONTROL INSTL- (LIMITED) (FOR DETAILS SEE FIG. 3)	A-BA, BC-BF ,BM-B V,B X-BZ CB-CR ,CT,C Z,DB, DD,DF ,DK DN-DP ,DS- EA,E C-EH, EK-ES	1
-336J	257T4000-5035		..CONTROL INSTL- (LIMITED) (FOR DETAILS SEE FIG. 3)	A-BA, BC-BF ,BM-B V,B X-BZ CB-CR ,CT,C Z,DB, DD,DF ,DK DN-DP ,DS- EA,E C-EH, EK-ES	1
-336K	257T4000-5036		..CONTROL INSTL- (LIMITED) (FOR DETAILS SEE FIG. 3)	A-BA, BC-BF ,BM-B V,B X-BZ CB-CR ,CT,C Z,DB, DD,DF ,DK DN-DP ,DS- EA,E C-EH, EK-ES	1

32-21-21

 ILLUSTRATED PARTS LIST
 01.101 Page 1054V
 Nov 01/05

BOEING
 COMPONENT
 MAINTENANCE MANUAL

FIG. & ITEM	PART NO.	AIRLINE PART NUMBER	NOMENCLATURE	EFF CODE	QTY PER ASSY
01- -336L	257T4000-5037		1234567 ..CONTROL INSTL- (LIMITED) (FOR DETAILS SEE FIG. 3)	A-BA, BC-BF ,BM-B V,B X-BZ CB-CR ,CT,C Z,DB, DD,DF ,DK DN-DP ,DS- EA,E C-EH, EK-ES	1
-336M	257T4000-5048		..CONTROL INSTL- (LIMITED) (FOR DETAILS SEE FIG. 3)	A-BA, BC-BF ,BM-B V,B X-BZ CB-CR ,CT,C Z,DB, DD,DF ,DK DN-DP ,DS- EA,E C-EH, EK-ES	1
-336N	257T4000-5049		..CONTROL INSTL- (LIMITED) (FOR DETAILS SEE FIG. 3)	A-BA, BC-BF ,BM-B V,B X-BZ CB-CR ,CT,C Z,DB, DD,DF ,DK DN-DP ,DS- EA,E C-EH, EK-ES	1

32-21-21

ILLUSTRATED PARTS LIST
 01.101 Page 1054W
 Nov 01/05

FIG. & ITEM	PART NO.	AIRLINE PART NUMBER	NOMENCLATURE 1234567	EFF CODE	QTY PER ASSY
01- -336P	257T4000-5050		..CONTROL INSTL- (LIMITED) (FOR DETAILS SEE FIG. 3)	A-BA, BC-BF ,BM-B V,B X-BZ CB-CR ,CT,C Z,DB, DD,DF ,DK DN-DP ,DS- EA,E C-EH, EK-ES	1
-340	284T6200-2		.EQUIPMENT INSTL-VAR ELEC (FOR DETAILS SEE FIG. 5)	A-BA, BC-BF ,BM-B V,B X-BZ CB-CR ,CT,C Z,DB, DD,DF ,DK DN-DP ,DS- EA,E C-EH, EK-ES	1

32-21-21

 ILLUSTRATED PARTS LIST
 01.101 Page 1054X
 Nov 01/05

BOEING
 COMPONENT
 MAINTENANCE MANUAL

FIG. & ITEM	PART NO.	AIRLINE PART NUMBER	NOMENCLATURE 1234567	EFF CODE	QTY PER ASSY
01- -345 -350	284T6200-4 287T0000-7		DELETED .PROVISION INSTL-MULTI SECT. WIRE (FOR DETAILS SEE FIG. 4)	A-BA, BC-BF ,BM-B V,B X-BZ CB-CR ,CT,C Z,DB, DD,DF ,DK DN-DP ,DS- EA,E C-EH, EK-ES	1
355	BAC27TLG0006		.MARKER	F-V,X ,AA-A D,AF, AJ,AK ,AM AP,AQ	1
-355A	BAC27TLG0011		.MARKER	U,W,Y ,AG,A R,A U-BV BW-BZ ,CB-C T CZ-DC ,DF,D G,DK, DN,DP DS-ES	1
-355B	BAC27TLG0011		.MARKER- (OPT ITEM 355C)	Z,AE, AH,AL ,AN,A S,AT	1
-355C	BAC27TLG0006		.MARKER- (OPT ITEM 355B)	Z,AE, AH,AL ,AN,A S,AT	1

32-21-21

ILLUSTRATED PARTS LIST
 01.101 Page 1054Y
 Nov 01/05

FIG. & ITEM	PART NO.	AIRLINE PART NUMBER	NOMENCLATURE	EFF CODE	QTY PER ASSY
01-360	162T1613-3		.SHAFT ASSY	B,D-F	1
362	162T1618-1		.SUPPORT ASSY	J-L, P,V,X U,W,Y ,AG-A K,AM, AP,AR ,AT AW-AY ,BC-B E,BG, BH,B K-BM BP,BQ ,BS,B T,BV, BZ,C B-CD CK,CL ,CN,C P,CR, CS,CZ ,DG DK,DN ,DU- EA,EE ,EH,E P-ES	1

32-21-21

 ILLUSTRATED PARTS LIST
 01.101 Page 1054Z
 Nov 01/05

BOEING
 COMPONENT
 MAINTENANCE MANUAL

FIG. & ITEM	PART NO.	AIRLINE PART NUMBER	NOMENCLATURE	EFF CODE	QTY PER ASSY
01-365	BACR15BA5KE		1234567 ..RIVET- (SIZE DETERMINE ON INST)	B,D-F ,J-L, P,U,V ,X,Y, AG-AK AM,AP ,AR,A T,AX, BC-BE ,BG BH,B K-BM, BP,BQ ,BT,B V,BZ CB-CD ,CK,C L,CN, CP,CR ,CS CZ,DG ,DK,D W-EA, EE,EP ,ER ESR	6
370	162T1614-2		..ARM	B,D-F ,J-L, P,V,X	1
375	162T1613-2		..SHAFT	B,D-F ,J-L, P,V,X BG,BH ,BK,B L,CS	1

32-21-21

ILLUSTRATED PARTS LIST
 01.101 Page 1055
 Nov 01/05

FIG. & ITEM	PART NO.	AIRLINE PART NUMBER	NOMENCLATURE	EFF CODE	QTY PER ASSY
01-376	NAS6704-25		1234567 ..BOLT	U,W,Y ,AG-A K,AM, AP,AR ,AT AW-AY ,BC-B E,BG, BH,B K-BM BP,BQ ,BT,B V,BZ, CB-CD ,CK CL,CN ,CP,C R,CS, CZ,DG ,DK DV-EA ,EE,E P,ER, ES	1

32-21-21

 ILLUSTRATED PARTS LIST
 01.101 Page 1056
 Nov 01/05



BOEING
 COMPONENT
 MAINTENANCE MANUAL

FIG. & ITEM	PART NO.	AIRLINE PART NUMBER	NOMENCLATURE	EFF CODE	QTY PER ASSY
01-377	BACW10BN4SC		1234567 ..WASHER	U,W,Y ,AG-A K,AM, AP,AR ,AT AW-AY ,BC-B E,BG, BH,B K-BM BP,BQ ,BT,B V,BZ, CB-CD ,CK CL,CN ,CP,C R,CS, CZ,DG ,DJ DK,D V-EA, EE,EP ,ER,E S	1

32-21-21

ILLUSTRATED PARTS LIST
 01.101 Page 1056A
 Nov 01/05

FIG. & ITEM	PART NO.	AIRLINE PART NUMBER	NOMENCLATURE	EFF CODE	QTY PER ASSY
01-378	BACW10BN4SP		1234567 ..WASHER	U,W,Y ,AG-A K,AM, AP,AR ,AT AW-AY ,BC-B E,BG, BH,B K-BM BP,BQ ,BT,B V,BZ, CB-CD ,CK CL,CN ,CP,C R,CS, CZ,DG ,DJ DK,D V-EA, EE,EP ,ER,E S	1

32-21-21

 ILLUSTRATED PARTS LIST
 01.101 Page 1056B
 Nov 01/05


BOEING
 COMPONENT
 MAINTENANCE MANUAL

FIG. & ITEM	PART NO.	AIRLINE PART NUMBER	NOMENCLATURE	EFF CODE	QTY PER ASSY
01-379	BACN10JC4CD		1234567 ..NUT	U,W,Y ,AG-A K,AM, AP,AR ,AT AW-AY ,BE,B G,BH, BK-BM ,BP BQ,BT ,BV,B Z,C B-CD, CK CL,CN ,CP,C R,CS, CZ,DG ,DK DV-EA ,EE,E J,EP, ER,ES	1

32-21-21

 ILLUSTRATED PARTS LIST
 01.101 Page 1056C
 Nov 01/05

FIG. & ITEM	PART NO.	AIRLINE PART NUMBER	NOMENCLATURE	EFF CODE	QTY PER ASSY
01- 380 380A 380B 380C	162T0000-300 162T0000-301 162T0000-302 NAS75-4-113		1234567 DELETED DELETED DELETED ..BUSHING- (OPT ITEM 380D)	U,W,Y ,AG-A K,AM, AP,AR ,AT AW-AY ,BC-B E,BG, BH,B K-BM BP,BQ ,BT,B V,BZ, CB-CD ,CK CL,CN ,CP,C R,CS, CZ,DG ,DK DV-EA ,EE,E P,ER, ES	1

32-21-21

 ILLUSTRATED PARTS LIST
 01.101 Page 1056D
 Nov 01/05

BOEING
 COMPONENT
 MAINTENANCE MANUAL

FIG. & ITEM	PART NO.	AIRLINE PART NUMBER	NOMENCLATURE	EFF CODE	QTY PER ASSY
01-380D	162T1618-3		1234567 ..BUSHING- (OPT ITEM 380C)	U,W,Y ,AG-A K,AM, AP,AR ,AT AW-AY ,BC-B E,BG, BH,B K-BM BP,BQ ,BT,B V,BZ, CB-CD ,CK CL,CN ,CP,C R,CS, CZ,DG ,DK DV-EA ,EE,E P,ER, ES	1
381	NAS1515M67		DELETED		

32-21-21

ILLUSTRATED PARTS LIST
 01.101 Page 1056E
 Nov 01/05

FIG. & ITEM	PART NO.	AIRLINE PART NUMBER	NOMENCLATURE	EFF CODE	QTY PER ASSY
01-381A	NAS1515M6L		..WASHER	U,W,Y ,AG-A K,AM, AP,AR ,AT AW-AY ,BC-B E,BG, BH,B K-BM BP,BQ ,BT,B V,BZ, CB-CD ,CK CL,CN ,CP,C R,CS, CZ,DG ,DK DV-EA ,EE,E P,ER, ES	2

32-21-21

 ILLUSTRATED PARTS LIST
 01.101 Page 1056F
 Nov 01/05

BOEING
 COMPONENT
 MAINTENANCE MANUAL

FIG. & ITEM	PART NO.	AIRLINE PART NUMBER	NOMENCLATURE	EFF CODE	QTY PER ASSY
01-382	162T1620-1		1234567 ..SPRING	U,W,Y ,AG-A K,AM, AP,AR ,AT AW-AY ,BC-B E,BG, BH,B K-BM BP,BQ ,BT,B V,BZ, CB-CD ,CK CL,CN ,CP,C R,CZ, DG,DK DV-EA ,EE,E P,ER, ES	1

32-21-21

ILLUSTRATED PARTS LIST
 01.101 Page 1056G
 Nov 01/05

FIG. & ITEM	PART NO.	AIRLINE PART NUMBER	NOMENCLATURE	EFF CODE	QTY PER ASSY
01-383	162T1619-2		1234567 ..LEVER-MOVEABLE	U,W,Y ,AG-A K,AM, AP,AR ,AT AW-AY ,BC-B E,BG, BH,B K-BM BP,BQ ,BT,B V,BZ, CB-CD ,CK CL,CN ,CP,C R,CS, CZ,DG ,DK DV-EA ,EE,E P,ER, ES	1

32-21-21

 ILLUSTRATED PARTS LIST
 01.101 Page 1056H
 Nov 01/05



BOEING
 COMPONENT
 MAINTENANCE MANUAL

FIG. & ITEM	PART NO.	AIRLINE PART NUMBER	NOMENCLATURE 1234567	EFF CODE	QTY PER ASSY
01-383M	162T1619-1		..LEVER-FIXED	U,W,Y ,AG-A K,AM, AP,AR ,AT AX,AY ,BC-B E,BG, BH,B K-BM BP,BQ ,BT,B V,BZ, CB-CD ,CK CN,CP ,CR,C S,CZ, DG,DK DW-EA ,EE,E P,ER, ES	1

32-21-21

ILLUSTRATED PARTS LIST
 01.101 Page 1056I
 Nov 01/05

FIG. & ITEM	PART NO.	AIRLINE PART NUMBER	NOMENCLATURE	EFF CODE	QTY PER ASSY
01-383R	162T1618-5		1234567 ..LEVER ASSY	U,V,A G-AK, AM-AP ,AR,A T,AW AX,B C-BE, BG,BH ,BK-B M,BP BQ,BT ,BV,B Z,C B-CD, CK,CL CN,CP ,CR,C S,CZ, DG,DJ ,DK DV-EA ,EE,E P,ER, ES B,E,J ,K,P	1
384	162T0000-302		..PAD- (MFD FROM RUBBER SILICONE BMS1-62 .60 THK X 1.0 X 2.70 CL 2 GRADE 70)		1

32-21-21

 ILLUSTRATED PARTS LIST
 01.101 Page 1056J
 Nov 01/05



BOEING
 COMPONENT
 MAINTENANCE MANUAL

FIG. & ITEM	PART NO.	AIRLINE PART NUMBER	NOMENCLATURE 1234567	EFF CODE	QTY PER ASSY
01-384S	162T1613-2		...SHAFT	U,W,Y ,AG-A K,AM, AP,AR ,AT AW-AY ,BC-B E,BG, BH,B K-BM BP,BQ ,BT,B V,BZ, CB-CD ,CK CL,CN ,CP,C R,CS, CZ,DG ,DJ DK,D V-EA, EE,EP ,ER,E S	1

32-21-21

ILLUSTRATED PARTS LIST
 01.101 Page 1056K
 Nov 01/05

FIG. & ITEM	PART NO.	AIRLINE PART NUMBER	NOMENCLATURE 1234567	EFF CODE	QTY PER ASSY
01-384T	162T1619-1		...LEVER	U,W,Y ,AG-A K,AM, AP,AR ,AT AW-AY ,BC-B E,BG, BH,B K-BM BP,BQ ,BT,B V,BZ, CB-CD ,CK CL,CN ,CP,C R,CS, CZ,DG ,DJ DK,D V-EA, EE,EP ,ER,E S	1
385	NAS6603-2		.BOLT	B,E,J ,K,P, V,X	2
386	NAS6603-50		.BOLT	U,A G-AJ, AM,AX ,BC,B H,BK BP,BT ,CB,C L,CN, CS,DG ,DW DY,ES	2
388	NAS6603-4		.BOLT	U,AG, AM,BC ,BH,B K,BP CL,CS ,DY	1

32-21-21

 ILLUSTRATED PARTS LIST
 01.101 Page 1056L
 Nov 01/05

BOEING
 COMPONENT
 MAINTENANCE MANUAL

FIG. & ITEM	PART NO.	AIRLINE PART NUMBER	NOMENCLATURE	EFF CODE	QTY PER ASSY
			1234567		
01-389	AN960C10L		.WASHER	U,A G-AJ, AM,AX ,BP,B T,CB CL,CN ,DG,D W,DY, EJ,ES	3
R -389A	NAS1149C0332R		.WASHER	BH,BK ,CS	3
390	AN960C10L		.WASHER	B,E,J ,K,P, V,X	2
395	162T1312-1		DELETED		
395A	162T1612-1		DELETED		
395B	162T1612-2		.LATCH ASSY-SPR	B,E,J ,K,P, V,X	1
400	NAS6603-48		.BOLT	B,E,J ,K,P, U,V,X ,AB,A F-AJ AM,AX ,BC,B H,BK, BP,BT ,CB CL-CN ,CS,D G,DN, DU,DW ,DY ED,EH ,EQ,E S	2

32-21-21

ILLUSTRATED PARTS LIST
 01.101 Page 1056M
 Nov 01/05

FIG. & ITEM	PART NO.	AIRLINE PART NUMBER	NOMENCLATURE 1234567	EFF CODE	QTY PER ASSY
01-402	NAS6603-48		.BOLT	B,E,J ,K,P, V,X	2
405	AN960PD10L		.WASHER	B,E,J ,K,P, U,V,X ,AB,A F-AJ AM,AX ,BC,B P,BT, CB,C L-CN DG,DN ,DU,D W,DY, ED,EH ,EQ ESQ	4
R-405A	NAS1149D0316J		.WASHER	BH,BK ,CS	4
410	NAS43DD3-40		.SPACER	B,E,J ,K,P, U,V,X ,AB,A F-AJ AM,AX ,BC,B P,BT, CB,C L-CN DG,DN ,DU,D W,DY, ED,EH ,EQ ESQ	2

32-21-21

 ILLUSTRATED PARTS LIST
 01.101 Page 1056N
 Nov 01/05

BOEING
 COMPONENT
 MAINTENANCE MANUAL

FIG. & ITEM	PART NO.	AIRLINE PART NUMBER	NOMENCLATURE 1234567	EFF CODE	QTY PER ASSY
R 01-410A	NAS43DD3-40FC		. SPACER	BH, BK, CS	2
	415 NAS43DD3-38		. SPACER	B, E, J, K, P, U, V, X, AB, A, F-AJ, AM, AX, BC, B, P, BT, CB, C, L-CN, DG, DN, DU, D, W, DY, ED, EH, EQ, ESQ	2
R -415A	NAS43DD3-38FC		. SPACER	BH, BK, CS	2
	420 H10-3BAC		. NUT- (V15653) (SPEC BACN10JC3) (OPT NS202101-02 (V80539)) (OPT RMLH9075-3W (V72962)) (OPT T6S1032J (V71087)) (OPT VN303A02 (V92215)) (OPT 96-02 (V80539)) (OPT BRH10A3 (V52828))	B, E, J, K, P, U, V, X, AB, A, F-AJ, AMAJ	4

32-21-21

ILLUSTRATED PARTS LIST
 01.101 Page 10560
 Nov 01/05

FIG. & ITEM	PART NO.	AIRLINE PART NUMBER	NOMENCLATURE 1234567	EFF CODE	QTY PER ASSY
01- -420A	H10-3BAC		.NUT- (V15653) (SPEC BACN10JC3) (OPT NS202101-02 (V80539)) (OPT RMLH9075-3W (V72962)) (OPT T6S1032J (V71087)) (OPT VN303A02 (V92215)) (OPT 96-02 (V80539)) (OPT BRH10A3 (V52828)) (OPT ITEM 420B)	BC,BP ,BT, CB,DG ,DN,D U,DW DY,ED ,EH,E S	4
-420B	MS21042L3		.NUT- (OPT ITEM 420A)	BC,BP ,BT, CB,DG ,DN,D U,DW DY,ED ,EH,E S	4
-420C	MS21042L3		.NUT	AX,C L-CN, EQ,ES	4
R -420D	BACN10JC3CD		.NUT	BH,BK ,CS	4

32-21-21

 ILLUSTRATED PARTS LIST
 01.101 Page 1056P
 Nov 01/05

BOEING
 COMPONENT
 MAINTENANCE MANUAL

FIG. & ITEM	PART NO.	AIRLINE PART NUMBER	NOMENCLATURE	EFF CODE	QTY PER ASSY
01-422	162T1619-3		.LATCH	U,A G-AJ, AM,AX ,BC,B H,BK, BP BT,CB ,CL,C N,CS, DG,DN ,DU DW,DY ,EH,E Q,ES	1
425	287T6204-2		.BLOCK	B,E,J ,K,P, U,V,X ,AB,A F-AJ AM,AX ,BC,B H,BK, BP,BT ,CB CL-CN ,CS,D G,DN, DU,DW ,DY ED,EH ,EQ,E S	2

32-21-21

ILLUSTRATED PARTS LIST
 01.101 Page 1056Q
 Nov 01/05

FIG. & ITEM	PART NO.	AIRLINE PART NUMBER	NOMENCLATURE	EFF CODE	QTY PER ASSY
01-430	287T6204-4		.BLOCK	B,E,J ,K,P, U,V,X ,AB,A F-AJ AM,AX ,BC,B H,BK, BP,BT ,CB CL-CN ,CS,D G,DN, DU,DW ,DY ED,EH ,EQ,E S	2
435	287T6204-1		.BLOCK- (MFD FROM SH AL 2024T351 F17.04 + F20.02 + SRF14.9813 0.5 X 1.0 X 1.3 QQA250/5)	B,E,J ,K,P, U,V,X ,AB,A F-AJ AM,AX ,BC,B H,BK, BP,BT ,CB CL-CN ,CS,D G,DN, DU,DW ,DY ED,EH ,EQ,E S	4

32-21-21

 ILLUSTRATED PARTS LIST
 01.101 Page 1056R
 Nov 01/05

BOEING
 COMPONENT
 MAINTENANCE MANUAL

FIG. & ITEM	PART NO.	AIRLINE PART NUMBER	NOMENCLATURE	EFF CODE	QTY PER ASSY
01-440	287T6202-27		.BRACKET ASSY	B,E,J ,K,P, U,V,X ,AB,A F-AJ AM,AX ,BC,B H,BK, BP,BT ,CB CL-CN ,CS,D G,DN, DU,DW ,DY ED,EH ,EQ,E S	1
445	BACR15BA3AD		..RIVET- (SIZE DETERMINE ON INST)	B,E,J ,K,P, U,V,X ,AB,A F-AJ AM,AX ,BC,B H,BK, BP,BT ,CB CL-CN ,CS,D G,DN, DU,DW ,DY ED,EJ ,EQ,E S	4

32-21-21

ILLUSTRATED PARTS LIST
 01.101 Page 1056S
 Nov 01/05

FIG. & ITEM	PART NO.	AIRLINE PART NUMBER	NOMENCLATURE 1234567	EFF CODE	QTY PER ASSY
01-450	H10-3BAC		..NUT- (V15653) (SPEC BACN10JC3) (OPT NS202101-02 (V80539)) (OPT RMLH9075-3W (V72962)) (OPT T6S1032J (V71087)) (OPT VN303A02 (V92215)) (OPT 96-02 (V80539)) (OPT BRH10A3 (V52828))	B,E,J ,K,P, U,V,X ,AB,A F-AJ AM,AX ,BC,B H,BK, BP,BT ,CB CL-CN ,CS,D G,DN, DU,DW ,DY ED,EH ,EQ,E S	2
455	287T6202-2		..BRACKET	B,E,J ,K,P, U,V,X ,AB,A F-AJ AM,AX ,BC,B H,BK, BP,BT ,CB CL-CN ,CS,D G,DN, DU,DW ,DY ED,EH ,EQ,E S	1
R 457	7355		..TAPE- (V88301)	BH,BK ,CS	AR
-465	162T0000-5011		DELETED		
-465A	162T0000-5012		DELETED		
-470	162T0000-5013		DELETED		
-470A	162T0000-5014		DELETED		
-475	162T0000-5015		DELETED		
-475A	162T0000-5016		DELETED		
-480	162T0000-5017		DELETED		

32-21-21

 ILLUSTRATED PARTS LIST
 01.101 Page 1056T
 Nov 01/05


BOEING
 COMPONENT
 MAINTENANCE MANUAL

FIG. & ITEM	PART NO.	AIRLINE PART NUMBER	NOMENCLATURE 1234567	EFF CODE	QTY PER ASSY
01-					
-480A	162T0000-5018		DELETED		
-481	162T0000-5021		DELETED		
-481A	162T0000-5022		DELETED		
-482	162T0000-5023		DELETED		
-482A	162T0000-5024		DELETED		
-483	162T0000-5025		DELETED		
-483A	162T0000-5026		DELETED		
-483B	162T0000-5055		DELETED		
-483C	162T0000-5056		DELETED		
-483D	162T0000-5057		.COLLECTOR-LIMITED PART (LIMITED)	Z	1
-483E	162T0000-5058		.COLLECTOR-LIMITED PART (LIMITED)	Z	1
-483F	162T0000-5059		.COLLECTOR-LIMITED PART (REPLS ITEM 483G)	AA	1
-483G	162T0000-5060		.COLLECTOR-LIMITED PART (REPLD BY ITEM 483F)	AA	1
-483H	162T0000-5061		DELETED		
-483J	162T0000-5062		DELETED		
-483K	162T0000-5063		DELETED		
-483L	162T0000-5064		DELETED		
-483M	162T0000-5065		DELETED		
-483N	162T0000-5066		DELETED		
-483P	162T0000-5067		.COLLECTOR-LIMITED PART (REPLS ITEM 483Q)	AE	1
-483Q	162T0000-5068		.COLLECTOR-LIMITED PART (REPLD BY ITEM 483P)	AE	1
-483R	162T0000-5069		.COLLECTOR-LIMITED PART (LIMITED)	AF	1
-483S	162T0000-5070		.COLLECTOR-LIMITED PART (LIMITED)	AF	1
-483T	162T0000-5071		.COLLECTOR-LIMITED PART (LIMITED)	AH	1
-483U	162T0000-5072		.COLLECTOR-LIMITED PART (LIMITED)	AH	1
-483V	162T0000-5073		DELETED		
-483W	162T0000-5074		DELETED		
-483X	162T0000-5075		DELETED		
-483Y	162T0000-5076		DELETED		
-483Z	162T0000-5077		.COLLECTOR-LIMITED PART (REPLS ITEM 484H)	AL	1
-484	162T0000-5027		DELETED		
-484A	162T0000-5028		DELETED		
-484B	162T0000-5029		DELETED		

32-21-21

 ILLUSTRATED PARTS LIST
 01.101 Page 1056U
 Nov 01/05

FIG. & ITEM	PART NO.	AIRLINE PART NUMBER	NOMENCLATURE 1234567	EFF CODE	QTY PER ASSY
01-					
-484C	162T0000-5030		DELETED		
-484D	162T0000-5031		DELETED		
-484E	162T0000-5032		DELETED		
-484F	162T0000-5041		DELETED		
-484G	162T0000-5042		DELETED		
-484H	162T0000-5078		.COLLECTOR-LIMITED PART (REPLD BY ITEM 483Z)	AL	1
-484J	162T0000-5079		DELETED		
-484K	162T0000-5080		DELETED		
-484L	162T0000-5081		DELETED		
-484M	162T0000-5082		DELETED		
-484N	162T0000-5083		.COLLECTOR-LIMITED PART (REPLS ITEM 484P)	AQ	1
-484P	162T0000-5084		.COLLECTOR-LIMITED PART (REPLD BY ITEM 484N)	AQ	1
-484V	166T0000-1		..WHEEL AND TIRE INSTL-NLG (USED ON ITEMS 483D, 483F, 483P 483R, 483T, 483Z, 484N) (FOR DETAILS SEE FIG. 8)	Z,AA, AE,AF ,AH,A L,AQ	1
485	162T0000-401		..WHEEL AND TIRE ASSY- (USED ON ITEMS 483Q, 483S, 483U,	AE,AF ,AH	2
-485A	162T0000-405		DELETED		
-485B	162T0000-403		DELETED		
-485C	162T0000-406		DELETED		
-485D	162T0000-402		..WHEEL AND TIRE ASSY- (USED ON ITEMS 483G, 483N,)	AA,AL	2
-485E	162T0000-407		..WHEEL AND TIRE ASSY- (USED ON ITEM 483E)	Z	2
-485F	162T0000-408		DELETED		
-485G	162T0000-409		DELETED		
-485H	162T0000-410		..WHEEL AND TIRE ASSY- (USED ON ITEM 484P)	AQ	2
490	2606735-1		...WHEEL ASSY- (V55284) (SPEC S160T200-30)	AA,AE ,AF,A H,AL	1
-490A	S160T200-31		DELETED		
-490B	2606735-2		...WHEEL ASSY- (V55284) (SPEC S160T200-31)	Z,AQ	1
491	MS16998-32		...SCREW	AM	1
492	AN960-10L		...WASHER	AM	1

32-21-21

 ILLUSTRATED PARTS LIST
 01.101 Page 1056V
 Nov 01/05


BOEING
 COMPONENT
 MAINTENANCE MANUAL

FIG. & ITEM	PART NO.	AIRLINE PART NUMBER	NOMENCLATURE 1234567	EFF CODE	QTY PER ASSY
01-					
493	AN970-3		...WASHER	AM	8
494	MS21044N3		...NUT-	AM	1
			(OPT ITEM 494A)		
-494A	2604535		...NUT-	AM	1
			(V55284)		
			(OPT ITEM 494)		
495	10-44		...VALVE ASSY-FILL	Z,AA, AE,AF ,AH,A L	1
			(V91816)		
			(SPEC 60B10055-4)		
			(FOR DETAILS SEE FIG. 80)		
-495A	10-57		...VALVE ASSY-FILL	AQ	1
			(V91816)		
			(SPEC 60B10055-2)		
			(FOR DETAILS SEE FIG. 80)		
497	2602101		...VALVE-TIRE INFLATION (CUSTOMER FURNISHED)	AM	1
			(V55284)		
500	032-744		DELETED		
-500A	S160T201-402		DELETED		
-500B	032-740		DELETED		
-500C	S160T201-422		DELETED		
-500D	032-744		DELETED		
-500E	039-739-0		DELETED		
500F	APS01214A		DELETED		
-500G	APS01214A		DELETED		
500H	APS01222		...TIRE-	AP	1
			(VS4233)		
			(SPEC S160T201-422)		
			(OPT DR23224T		
			(VK1037))		
			(OPT SR23224T		
			(V0940B))		
			(OPT 039-739-0		
			(V83187))		

32-21-21

 ILLUSTRATED PARTS LIST
 01.101 Page 1056W
 Nov 01/05

FIG. & ITEM	PART NO.	AIRLINE PART NUMBER	NOMENCLATURE 1234567	EFF CODE	QTY PER ASSY
01- -500J	S0077A		...TIRE-(H37-14X15) (VS5825) (SPEC S160T201-412) (OPT 032-744 (V03481)) (OPT 375K22-1 (V73842)) (OPT APS01214 (VS4233)) (OPT APS01214A (VS4233)) (OPT DR23220T (VK1037)) (OPT DR23221T (V0940B)) (OPT DR23222T (V0940B))	Q,Z,A B,AC, AE,AF ,AH-A K AM,AQ	1
-500K	S0077A		...TIRE-(H37-14X15) (CUSTOMER FURNISHED) (VS5825) (SPEC S160T201-412) (OPT 032-744 (V03481)) (OPT 375K22-1 (V73842)) (OPT APS01214 (VS4233)) (OPT APS01214A (VS4233)) (OPT DR23220T (VK1037)) (OPT DR23221T (V0940B)) (OPT DR23222T (V0940B))	AA,AD ,AL	1
502	QC34191-1		...PLACARD-TIRE CHANGE (CUSTOMER FURNISHED) (VZ0268)	AM	1
505	162T0000-303		.STOP ASSY-BUMPER	U,V,X ,AF,A G,AM, CL,CM ,EQ	1

32-21-21

 ILLUSTRATED PARTS LIST
 01.101 Page 1056X
 Nov 01/05

BOEING
 COMPONENT
 MAINTENANCE MANUAL

FIG. & ITEM	PART NO.	AIRLINE PART NUMBER	NOMENCLATURE	EFF CODE	QTY PER ASSY
01- -505A	162T0000-304		.STOP ASSY-BUMPER	AB,AH ,AJ,A X,BC, BP,BT ,CB CN,DG ,DN,D U,DW, DY,ED ,EH ESH	1
R -505B	162T1000-6		.STRUT ASSY-BUMPER	BH,BK ,CS	1
510	NAS6606-10		..BOLT	U,V,X ,AB,A F-AJ, AM,AX ,BC BH,BK ,BP,B T,CB, CL-CN ,CS DG,DN ,DU,D W,DY, ED,EH ,EQ ESQ	1

32-21-21

ILLUSTRATED PARTS LIST
 01.101 Page 1056Y
 Nov 01/05

FIG. & ITEM	PART NO.	AIRLINE PART NUMBER	NOMENCLATURE	EFF CODE	QTY PER ASSY
01-515	NAS6604-7		..BOLT	U,V,X ,AB,A F-AJ, AM,AX ,BC BH,BK ,BP,B T,CB, CL-CN ,CS DG,DN ,DU,D W,DY, ED,EH ,EQ ESQ	1
520	AN960PD616L		..WASHER	U,V,X ,AB,A F-AJ, AM,AX ,BC BP,BT ,CB,C L-CN, DG,DN ,DU DW,DY ,ED,E H,EQ, ES	1

32-21-21

 ILLUSTRATED PARTS LIST
 01.101 Page 1056Z
 Nov 01/05

BOEING
 COMPONENT
 MAINTENANCE MANUAL

FIG. & ITEM	PART NO.	AIRLINE PART NUMBER	NOMENCLATURE	EFF CODE	QTY PER ASSY
R 01-520A	NAS1149D0616J		1234567 ..WASHER	BH,BK ,CS	1
	525 AN960PD416L		..WASHER	U,V,X ,AB,A F-AJ, AM,AX ,BC BP,BT ,CB,C L-CN, DG, DN ,DU DW,DY ,ED,E H,EQ, ES	1
R -525A	NAS1149D0416J		..WASHER	BH,BK ,CS	1
	530 287T6204-3		..SPACER	U,V,X ,AB,A F-AJ, AM,AX ,BC BH,BK ,BP, CB,C L-CN, CS,DG DN,DU ,DW,D Y,ED, EH,EQ ,ES	1

32-21-21

ILLUSTRATED PARTS LIST
 01.101 Page 1057
 Nov 01/05

FIG. & ITEM	PART NO.	AIRLINE PART NUMBER	NOMENCLATURE	EFF CODE	QTY PER ASSY
01-535	NAS6603-6		..BOLT	U,V,X ,AB,A F-AJ, AM,AX ,BC BH,BK ,BP,B T,CB, CL-CN ,CS DG,DN ,DU,D W,DY, ED,EH ,EQ ESQ	2
540	AN960PD10		..WASHER	U,V,X ,AB,A F-AJ, AM,AX ,BC BP,BT ,CB,C L-CN, DG,DN ,DU DW,DY ,ED,E H,EQ, ES	2

32-21-21

 ILLUSTRATED PARTS LIST
 01.101 Page 1058
 Nov 01/05

BOEING
 COMPONENT
 MAINTENANCE MANUAL

FIG. & ITEM	PART NO.	AIRLINE PART NUMBER	NOMENCLATURE 1234567	EFF CODE	QTY PER ASSY
R 01-540A	NAS1149D0363J		..WASHER	BH,BK ,CS	2
545	H10-3BAC		..NUT- (V15653) (SPEC BACN10JC3) (OPT NS202101-02 (V80539)) (OPT RMLH9075-3W (V72962)) (OPT T6S1032J (V71087)) (OPT VN303A02 (V92215)) (OPT 96-02 (V80539)) (OPT BRH10A3 (V52828))	U,V,X ,AB,A F-AJ, AM,AX ,BC BH,BK ,BP,B T,CB, CL-CN ,CS DG,DN ,DU,D W,DY, ED,EH ,EQ ESQ	2
550	287T6202-40		..PLATE	U,V,X ,AF,A G,AM, CL,CM ,EQ	1
-550A	287T6202-61		..PLATE	AB,AH ,AJ,A X,BC, BH,BJ ,BP BT,CB ,CN,C S,DG, DN,DU ,DW DY,ED ,EH,E S	1

32-21-21

ILLUSTRATED PARTS LIST
 01.101 Page 1058A
 Nov 01/05

FIG. & ITEM	PART NO.	AIRLINE PART NUMBER	NOMENCLATURE 1234567	EFF CODE	QTY PER ASSY
01-555	287T6202-39		..PAD ASSY- (LIMITED)	U,V,X ,AB,A F-AJ, AM,AX ,BC BP,BT ,CB,C L-CN, DG,DN ,DU DW,DY ,ED,E H,EQ, ES	1
-555A	287T6202-95		..PAD ASSY- (LIMITED)	U,V,X ,AB,A F-AJ, AM,AX ,BC BP,BT ,CB,C L-CN, DG,DN ,DU DW,DY ,ED,E H,EQ, ES	1
560	NAS1801-3-11		ATTACHING PARTS ..SCREW	U,V,X ,AB,A F-AJ, AM,AX ,BE BH,BK ,BP,B T,CB, CL-CN ,CS DG,DN ,DU,D W,DY, ED EH,EQ ,ES	2

32-21-21

ILLUSTRATED PARTS LIST

01.101 Page 1058B

Nov 01/05

BOEING
 COMPONENT
 MAINTENANCE MANUAL

FIG. & ITEM	PART NO.	AIRLINE PART NUMBER	NOMENCLATURE 1234567	EFF CODE	QTY PER ASSY
01-565	AN960PD10		..WASHER	U,V,X ,AF,A G,AM, CL,CM ,EQ	2
-565A	AN970-3		..WASHER	AB,AH ,AJ,A X,BC, BH,BK ,BP BT,CB ,CN,C S,DG, DN,DU ,DW DY,ED ,EH,E S	2
570	287T6202-30		-----*----- ..CHANNEL ASSY	U,V,X ,AF,A G,AM, CL,CM ,EQ	1
-570A	287T6202-58		..CHANNEL ASSY	AB,AH ,AJ,A X,BC, BH,BK ,BP BT,CB ,CN,C S,DG, DN,DU ,DW DY,ED ,EH,E S	1
			ATTACHING PARTS		

32-21-21

ILLUSTRATED PARTS LIST
 01.101 Page 1058C
 Nov 01/05

FIG. & ITEM	PART NO.	AIRLINE PART NUMBER	NOMENCLATURE	EFF CODE	QTY PER ASSY
01-575	NAS1801-3-8		1234567 ..SCREW	U,V,X ,AB,A F-AJ, AM,AX ,BC BH,BK ,BP,B T,CB, CL-CN ,CS DG,DN ,DU,D W,DY, ED,EH ,EQ ESQ	6
580	AN960PD10		..WASHER	U,V,X ,AB,A F-AJ, AM,AX ,BC BP,BT ,CB,C L-CN, DG,DN ,ED EH,EQ ,ES	6
R -580A	NAS1149D0363J		..WASHER -----*	BH,BK ,CS	6

32-21-21

 ILLUSTRATED PARTS LIST
 01.101 Page 1058D
 Nov 01/05


BOEING
 COMPONENT
 MAINTENANCE MANUAL

FIG. & ITEM	PART NO.	AIRLINE PART NUMBER	NOMENCLATURE	EFF CODE	QTY PER ASSY
01-585	BACR15BA3AD		1234567 ...RIVET- (SIZE DETERMINE ON INST)	U,V,X ,AB,A F-AJ, AM,AX ,BC BH,BK ,BP,B T,CB, CL-CN ,CS DG,DN ,DU,D W,DY, ED,EH ,EQ ESQ	14
590	BRFM20A3		...NUTPLATE- (V52828) (SPEC BACN10JN3) (OPT MF1000-3BAC (V15653)) (OPT NS103218-02 (V80539)) (OPT RMF9201M3 (V72962)) (OPT VN252A02 (V92215)) (OPT MF1000-3BAC (V15653)) (OPT MF53049-3 (V15653))	U,V,X ,AB,A F-AJ, AM,AX ,BC BH,BK ,BP,B T,CB, CL-CN ,CS DG,DN ,DU,D W,DY, ED,EH ,EQ ESQ	7

32-21-21

ILLUSTRATED PARTS LIST

01.101 Page 1058E

Nov 01/05

FIG. & ITEM	PART NO.	AIRLINE PART NUMBER	NOMENCLATURE 1234567	EFF CODE	QTY PER ASSY
01-595	287T6202-31		...CHANNEL	U,V,X ,AF,A G,AM CL,CM ,EQ	1
-595A	287T6202-59		...CHANNEL	AB,AH ,AJ,A X,BC BH,BK ,BP BT,CB ,CN,C S,DG DN,DU ,DW DY,ED ,EH,E S	1
596	287T6202-56		..CHANNEL ASSY	AB,AH ,AJ,A X,BC BH,BK ,BP BT,CB ,CN,C S,DG DN,DU ,DW DY,ED ,EH,E S	1

32-21-21

 ILLUSTRATED PARTS LIST
 01.101 Page 1058F
 Nov 01/05

BOEING
 COMPONENT
 MAINTENANCE MANUAL

FIG. & ITEM	PART NO.	AIRLINE PART NUMBER	NOMENCLATURE 1234567	EFF CODE	QTY PER ASSY
01-					
597	NAS6603-3		ATTACHING PARTS ..BOLT	AB,AH ,AJ,A X,BC, BH,BK ,BP BT,CB ,CN,C S,DG, DN,DU ,DW DY,ED ,EH,E S	4
597F	AN960PD10		..WASHER	AB,AH ,AJ,A X,BC, BP,BT ,CB CN,DG ,DN,D U,DW, DY,ED ,EH ESH	4
R-597G	NAS1149D0363J		..WASHER -----*-----	BH,BK ,CS	4
598 598A	BACR15BA4AD BACR15BA3AD		DELETED ...RIVET- (SIZE DETERMINE ON INST)	AB,AH ,AJ,A X,BC, BH,BK ,BP BT,CB ,CN,C S,DG, DN,DU ,DW DY,ED ,EH,E S	2

32-21-21

ILLUSTRATED PARTS LIST
 01.101 Page 1058G
 Nov 01/05

FIG. & ITEM	PART NO.	AIRLINE PART NUMBER	NOMENCLATURE 1234567	EFF CODE	QTY PER ASSY
01-598G	F5000-4BAC		...NUTPLATE- (V15653) (SPEC BACN10JR4F) (OPT NS103203-048 (V80539)) (OPT RMF9201-4 (V72962)) (OPT T8091S428 (V11815)) (OPT VN152A1-048 (V92215)) (OPT BRF200A4 (V52828))	AB,AH ,AJ,A X,BC, BH,BK ,BP BT,CB ,CN,C S,DG, DN,DU ,DW DY,ED ,EH,E S	1
598N	BACR15BA3AD		...RIVET- (SIZE DETERMINE ON INST)	AB,AH ,AJ,A X,BC, BH,BK ,BP BT,CB ,CN,C S,DG, DN,DU ,DW DY,ED ,EH,E S	8
598U	BRFM20A3		...NUTPLATE- (V52828) (SPEC BACN10JN3) (OPT MF1000-3BAC (V15653)) (OPT NS103218-02 (V80539)) (OPT RMF9201M3 (V72962)) (OPT VN252A02 (V92215)) (OPT MF1000-3BAC (V15653)) (OPT MF53049-3 (V15653))	AB,AH ,AJ,A X,BC, BH,BK ,BP BT,CB ,CN,C S,DG, DN,DU ,DW DY,ED ,EH,E S	4

32-21-21

 ILLUSTRATED PARTS LIST
 01.101 Page 1058H
 Nov 01/05

BOEING
 COMPONENT
 MAINTENANCE MANUAL

FIG. & ITEM	PART NO.	AIRLINE PART NUMBER	NOMENCLATURE 1234567	EFF CODE	QTY PER ASSY
01-599	287T6202-57		...CHANNEL	AB,AH ,AJ,A X,BC, BH,BK ,BP BT,CB ,CN,C S,DG, DN,DU ,DW DY,ED ,EH,E S	1
600	287T6202-60		..BRACKET ASSY	U,V,X ,AF,A G,AM, CL,CM ,EQ	1
-600A	287T6202-51		..BRACKET ASSY	AB,AH ,AJ,A X,BC, BH,BK ,BP BT,CB ,CN,C S,DG, DN,DU ,DW DY,ED ,EH,E S	1

32-21-21

ILLUSTRATED PARTS LIST
 01.101 Page 1058I
 Nov 01/05

FIG. & ITEM	PART NO.	AIRLINE PART NUMBER	NOMENCLATURE	EFF CODE	QTY PER ASSY
01-605 605A	BACR15BB3AD BACR15BB6AD		1234567 DELETED ...RIVET- (SIZE DETERMINE ON INST)	U,V,X ,AB,A F-AJ, AM,AX ,BC BH,BK ,BP,B T,CB, CL-CN ,CS DG, DN ,DU,D W,DY, ED,EH ,EQ ESQ	4
610	287T6202-36		...BRACKET	U,V,X ,AB,A F-AJ, AM,AX ,BC BH,BK ,BP,B T,CB, CL-CN ,CS DG, DN ,DU,D W,DY, ED,EH ,EQ ESQ	1

32-21-21

 ILLUSTRATED PARTS LIST
 01.101 Page 1058J
 Nov 01/05


BOEING
 COMPONENT
 MAINTENANCE MANUAL

FIG. & ITEM	PART NO.	AIRLINE PART NUMBER	NOMENCLATURE 1234567	EFF CODE	QTY PER ASSY
01-615	287T6202-34		...CHANNEL ASSY	U,V,X ,AF,A G,AM, CL,CM ,EQ	1
620	BACR15BB6AD		ATTACHING PARTS ...RIVET- (SIZE DETERMINE ON INST)	U,V,X ,AF,A G,AM, CL,CM ,EQ	4
625	BACR15BA3AD		-----*----- ...RIVET- (SIZE DETERMINE ON INST)	U,V,X ,AF,A G,AM, CL,CM ,EQ	2
630	F5000-4BAC		...NUTPLATE- (V15653) (SPEC BACN10JR4F) (OPT NS103203-048 (V80539)) (OPT RMF9201-4 (V72962)) (OPT T8091S428 (V11815)) (OPT VN152A1-048 (V92215)) (OPT BRF200A4 (V52828))	U,V,X ,AF,A G,AM, CL,CM ,EQ	1
635	287T6202-35		...CHANNEL	U,V,X ,AF,A G,AM, CL,CM ,EQ	1

32-21-21

 ILLUSTRATED PARTS LIST
 01.101 Page 1058K
 Nov 01/05

FIG. & ITEM	PART NO.	AIRLINE PART NUMBER	NOMENCLATURE	EFF CODE	QTY PER ASSY
01-640	287T6202-42		1234567 ...CHANNEL ASSY	U,V,X ,AB,A F-AJ, AM,AX ,BC BH,BK ,BP,B T,CB, CL-CN ,CS DG,DN ,DU,D W,DY, ED,EH ,EQ ESQ	1
645	BACR15BB6AD		ATTACHING PARTS ...RIVET- (SIZE DETERMINE ON INST)	U,V,X ,AB,A F-AJ, AM,AX ,BC BH,BK ,BP,B T,CB, CL-CN ,CS DG,DN ,ED,E H,EQ, ES	4
			-----*		

32-21-21

 ILLUSTRATED PARTS LIST
 01.101 Page 1058L
 Nov 01/05

BOEING
 COMPONENT
 MAINTENANCE MANUAL

FIG. & ITEM	PART NO.	AIRLINE PART NUMBER	NOMENCLATURE	EFF CODE	QTY PER ASSY
01-650	BACR15BA4AD		1234567RIVET- (SIZE DETERMINE ON INST)	U,V,X ,AB,A F-AJ, AM,AX ,BC BH,BK ,BP,B T,CB, CL-CN ,CS DG,DN ,DU,D W,DY, ED,EH ,EQ ESQ	2
655	BRF200A6	NUTPLATE- (V52828) (SPEC BACN10JR6F) (OPT NS103203-064 (V80539)) (OPT RMF9201-6 (V72962)) (OPT T8093C624 (V11815)) (OPT VN152A1-064 (V92215)) (OPT F5000-6BAC (V15653))	U,V,X ,AB,A F-AJ, AM,AX ,BC BH,BK ,BP,B T,CB, CL-CN ,CS DG,DN ,DU,D W,DY, ED,EH ,EQ ESQ	1

32-21-21

ILLUSTRATED PARTS LIST
 01.101 Page 1058M
 Nov 01/05

FIG. & ITEM	PART NO.	AIRLINE PART NUMBER	NOMENCLATURE 1234567	EFF CODE	QTY PER ASSY
01-660	287T6202-43	FILLER	U,V,X ,AB,A F-AJ, AM,AX ,BC BH,BK ,BP,B T,CB, CL-CN ,CS DG,DN ,DU,D W,DY, ED,EH ,EQ ESQ	1
665	287T6202-35	CHANNEL	U,V,X ,AB,A F-AJ, AM,AX ,BC BH,BK ,BP,B T,CB, CL-CN ,CS DG,DN ,DU,D W,DY, ED,EH ,EQ ESQ	1

32-21-21

 ILLUSTRATED PARTS LIST
 01.101 Page 1058N
 Nov 01/05

BOEING
 COMPONENT
 MAINTENANCE MANUAL

FIG. & ITEM	PART NO.	AIRLINE PART NUMBER	NOMENCLATURE 1234567	EFF CODE	QTY PER ASSY
01-670	287T6202-28		...CHANNEL ASSY	U,V,X ,AF,A G,AM, CL,CM ,EQ	1
-670A	287T6202-52		...CHANNEL ASSY	AB,AH ,AJ,A X,BH, BK,BP ,BT CB,CN ,CS,D G,DN, DU,DW ,DY ED,EH ,EJ,E S	1
675	BACR15BA3AD	RIVET- (SIZE DETERMINE ON INST)	U,V,X ,AF,A G,AM, CL,CM ,EQ	4
677	BACR15BA3AD	RIVET- (SIZE DETERMINE ON INST)	U,V,X ,AB,A F-AJ, AM,AX ,BC BH,BK ,BP,B T,CB, CL-CN ,CS DG,DN ,DU,D W,DY, ED,EH EQ,ES	2

32-21-21

ILLUSTRATED PARTS LIST
 01.101 Page 10580
 Nov 01/05

FIG. & ITEM	PART NO.	AIRLINE PART NUMBER	NOMENCLATURE 1234567	EFF CODE	QTY PER ASSY
01-678	BACR15BA3AD	RIVET- (SIZE DETERMINE ON INST)	AB,AH ,AJ,A X,BC, BH,BK ,BP BT,CB ,CN,C S,DG, DN,DU ,DW DY,ED ,EH,E J	10
680	BRFM20A3	NUTPLATE- (V52828) (SPEC BACN10JN3) (OPT MF1000-3BAC (V15653)) (OPT NS103218-02 (V80539)) (OPT RMF9201M3 (V72962)) (OPT VN252A02 (V92215)) (OPT MF1000-3BAC (V15653)) (OPT MF53049-3 (V15653))	U,V,X ,AF,A G,AM, CL,CM ,EQ	2
682	BRFM20A3	NUTPLATE- (V52828) (SPEC BACN10JN3) (OPT MF1000-3BAC (V15653)) (OPT NS103218-02 (V80539)) (OPT RMF9201M3 (V72962)) (OPT VN252A02 (V92215)) (OPT MF1000-3BAC (V15653)) (OPT MF53049-3 (V15653))	U,V,X ,AB,A F-AJ, AM,AX ,BC BH,BK ,BP,B T,CB, CL-CN ,CS DG,DN ,DU,D W,DY ED,EH ,EQ,E S	1

32-21-21

 ILLUSTRATED PARTS LIST
 01.101 Page 1058P
 Nov 01/05


BOEING
 COMPONENT
 MAINTENANCE MANUAL

FIG. & ITEM	PART NO.	AIRLINE PART NUMBER	NOMENCLATURE 1234567	EFF CODE	QTY PER ASSY
01-683	BRFM20A3	NUTPLATE- (V52828) (SPEC BACN10JN3) (OPT MF1000-3BAC (V15653)) (OPT NS103218-02 (V80539)) (OPT RMF9201M3 (V72962)) (OPT VN252A02 (V92215)) (OPT MF1000-3BAC (V15653)) (OPT MF53049-3 (V15653))	AB,AH ,AJ,A X,BC, BH,BK ,BP BT,CB ,CN,C S,DG, DN,DU ,DW DY,ED ,EH,E S	2
684 684A	BRM300A3 BRM200A3		DELETEDNUTPLATE- (V52828) (SPEC BACN10JP3A) (OPT MK1000-3BAC (V15653)) (OPT NS103197-02 (V80539)) (OPT RMA9201M3 (V72962)) (OPT T8076S1032 (V11815)) (OPT VN202A1-02 (V92215))	AB,AH ,AJ,A X,BC, BH,BK ,BP BT,CB ,CN,C S,DG, DN,DU ,DW DY,ED ,EH,E S	3

32-21-21

 ILLUSTRATED PARTS LIST
 01.101 Page 1058Q
 Nov 01/05

FIG. & ITEM	PART NO.	AIRLINE PART NUMBER	NOMENCLATURE 1234567	EFF CODE	QTY PER ASSY
01-685	287T6202-29	CHANNEL	U,V,X ,AF,A G,AM, CL,CM ,EQ	1
-685A	287T6202-53	CHANNEL	AB,AH ,AJ,A X,BC, BH,BK ,BP BT,CB ,CN,C S,DG, DN,DU ,DW DY,ED ,EH,E S	1
690	162T0000-5037		.COLLECTOR-LIMITED PART (REPLD BY ITEM 726)	AB	1
-690A	162T0000-5039		.COLLECTOR-LIMITED PART (LIMITED)	AF	1
-690B	162T0000-5035		.COLLECTOR-LIMITED PART (LIMITED)	AA	1
693	162T1613-3		..SHAFT ASSY	AA,AB ,AF	1
696	BACR15BA5KE		...RIVET- (SIZE DETERMINE ON INST)	AA,AB ,AF	6
699	162T1614-2		...ARM	AA,AB ,AF	1
702	162T1613-2		...SHAFT	AA,AB ,AF	1
705	162T1612-2		..LATCH ASSY-SPR ATTACHING PARTS	AB,AF	1
708	NAS6603-2		..BOLT	AB,AF	2

32-21-21

 ILLUSTRATED PARTS LIST
 01.101 Page 1058R
 Nov 01/05


BOEING
 COMPONENT
 MAINTENANCE MANUAL

FIG. & ITEM	PART NO.	AIRLINE PART NUMBER	NOMENCLATURE 1234567	EFF CODE	QTY PER ASSY
01-711	AN960C10L		..WASHER -----*-----	AB,AF	2
714	BACR15CE5M		...RIVET- (SIZE DETERMINE ON INST)	AB,AF	2
717	162T1612-1		...LATCH-SPR	AB,AF	1
720	162T1612-3		...PLATE-CATCH	AB,AF	1
723	NAS6603-48		..BOLT	AB,AF	2
726	162T0000-5038		.COLLECTOR-LIMITED PART (REPLS ITEM 690)	AB	1
-726A	162T0000-5040		.COLLECTOR-LIMITED PART (LIMITED)	AF	1
-726B	162T0000-5036		.COLLECTOR-LIMITED PART (LIMITED)	AA	1
729	162T1618-1		..SUPPORT ASSY	AA,AB ,AF,D N,DU, EH,EQ	1
731	BACR15BA5KE		...RIVET- (SIZE DETERMINE ON INST)	AA,AB ,AF	6
734	162T1613-2		...SHAFT	AA,AB ,AF	1
737	NAS6704-25		...BOLT	AA,AB ,AF	1
740	BACW10BN4SC		...WASHER	AA,AB ,AF	1
743	BACW10BN4SP		...WASHER	AA,AB ,AF	1
746	BACN10JC4CD		...NUT	AA,AB ,AF	1
749	NAS75-4-113		...BUSHING- (OPT ITEM 749A)	AA,AB ,AF	1
-749A	162T1618-3		...BUSHING- (OPT ITEM 749)	AA,AB ,AF	1
752	NAS1515M67		DELETED		
752A	NAS1515M6L		...WASHER	AA,AB ,AF	2
755	162T1620-1		...SPRING	AA,AB ,AF	1
758	162T1619-2		...LEVER-MOVEABLE	AA,AB ,AF	1
761	162T1619-1		...LEVER-FIXED	AA,AB ,AF	1
764	NAS6603-50		..BOLT	AB,AF	2
767	NAS6603-4		..BOLT	AB,AF	1
770	AN960C10L		..WASHER	AB,AF	3

32-21-21

 ILLUSTRATED PARTS LIST
 01.101 Page 1058S
 Nov 01/05

FIG. & ITEM	PART NO.	AIRLINE PART NUMBER	NOMENCLATURE 1234567	EFF CODE	QTY PER ASSY
01-773	162T1619-3		..LATCH	AB,AF, DN, D, U, EH, EQ	1
800	BAC27TLG0010		DELETED		
-805	162T0000-5114		.COLLECTOR-LIMITED PART	DT	1
-810	162T1136-072		..COMPONENT ASSY- (162T1136-075, -074, -070, -068, -038, -030, -030, -017, -012, -008 OR -004 WITH QUICK DISCONNECT (QD) FEATURE IS I/W 162T1136-072, -035, -033, -022, -019, -018, -014, OR -013 WITHOUT QD FEATURE WITH CUSTOMER APPROVAL) (REF CMM 32-21-47)	BB, CT, DT	1
R -810A	162T1136-080		..COMPONENT ASSY- (REF CMM 32-21-47)	BW	1
R -810B	162T1136-081		..COMPONENT ASSY- (REF CMM 32-21-47)	CS	1
-815	162T0000-5102		.COLLECTOR-LIMITED PART	DY	1
-815A	162T0000-5121		.COLLECTOR-LIMITED PART	EA	1
-815B	162T0000-5122		.COLLECTOR-LIMITED PART	AX	1

32-21-21

 ILLUSTRATED PARTS LIST
 01.101 Page 1058T
 Nov 01/05

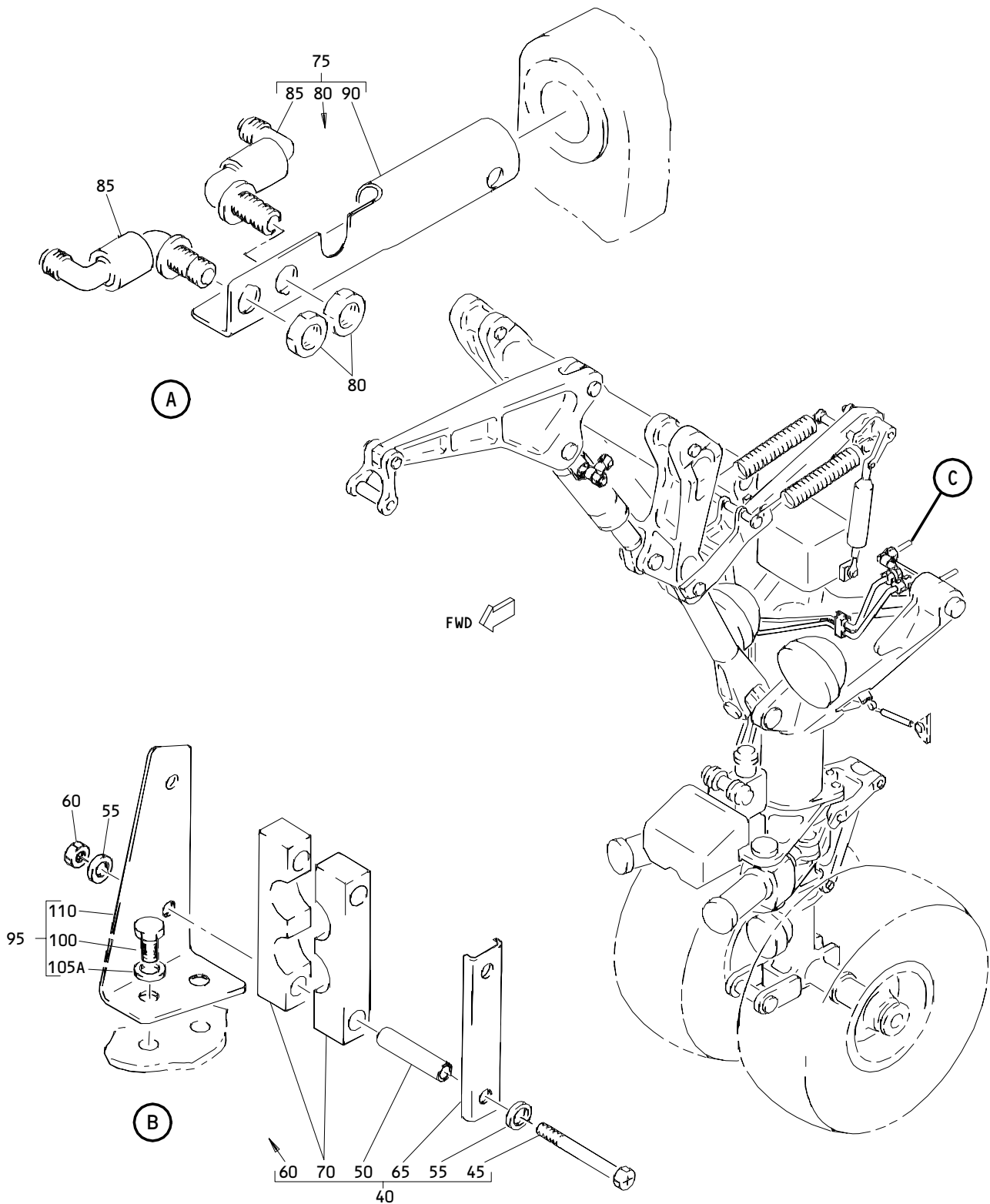

BOEING
 COMPONENT
 MAINTENANCE MANUAL

FIG. & ITEM	PART NO.	AIRLINE PART NUMBER	NOMENCLATURE 1234567	EFF CODE	QTY PER ASSY
01-820	162T1136-075		..COMPONENT ASSY- (162T1136-075, -074, -070, -068, -038, -030, -030, -017, -012, -008, OR -004 WITH QUICK DISCONNECT (QD) FEATURE IS I/W 162T1136-072, -035, -033, -022, -019 -018, -014, OR -013 WITHOUT QD FEATURE WITH CUSTOMER APPROVAL) (REF CMM 32-21-47)	AX,BG ,BH,B K,BL, DY,EA	1
R 820A	162T1136-073		..COMPONENT ASSY- (162T1136-075, -074, -070, -068, -038, -030, -020, -017, -008, -004 WITH QUICK DISCONNECT (QD) FEATURE IS I/W 162T1136-073, -040, -021, WITHOUT QD FEATURE AND INCLUDES IMPROVED NOSE GEAR STEERING ANGLE INDICATOR WITH CUSTOMER APPROVAL (REF CMM 32-21-47)	EC	1

- Item Not Illustrated

32-21-21

ILLUSTRATED PARTS LIST
 01.101 Page 1058U
 Nov 01/05

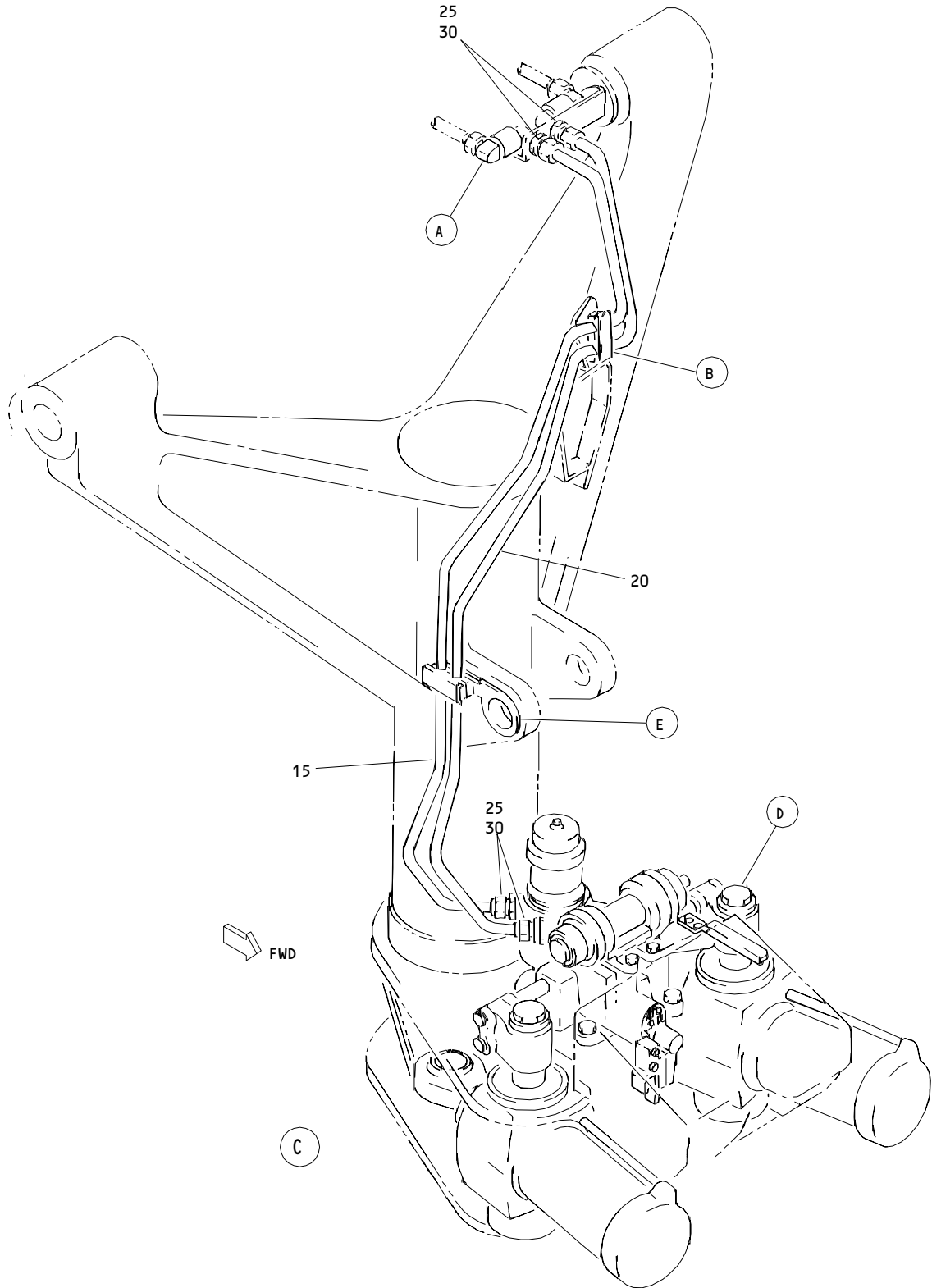


Section 62 Hydraulic Installation
 Figure 2 (Sheet 1)

32-21-21

ILLUSTRATED PARTS LIST
 01.101 Page 1058V
 Nov 01/05

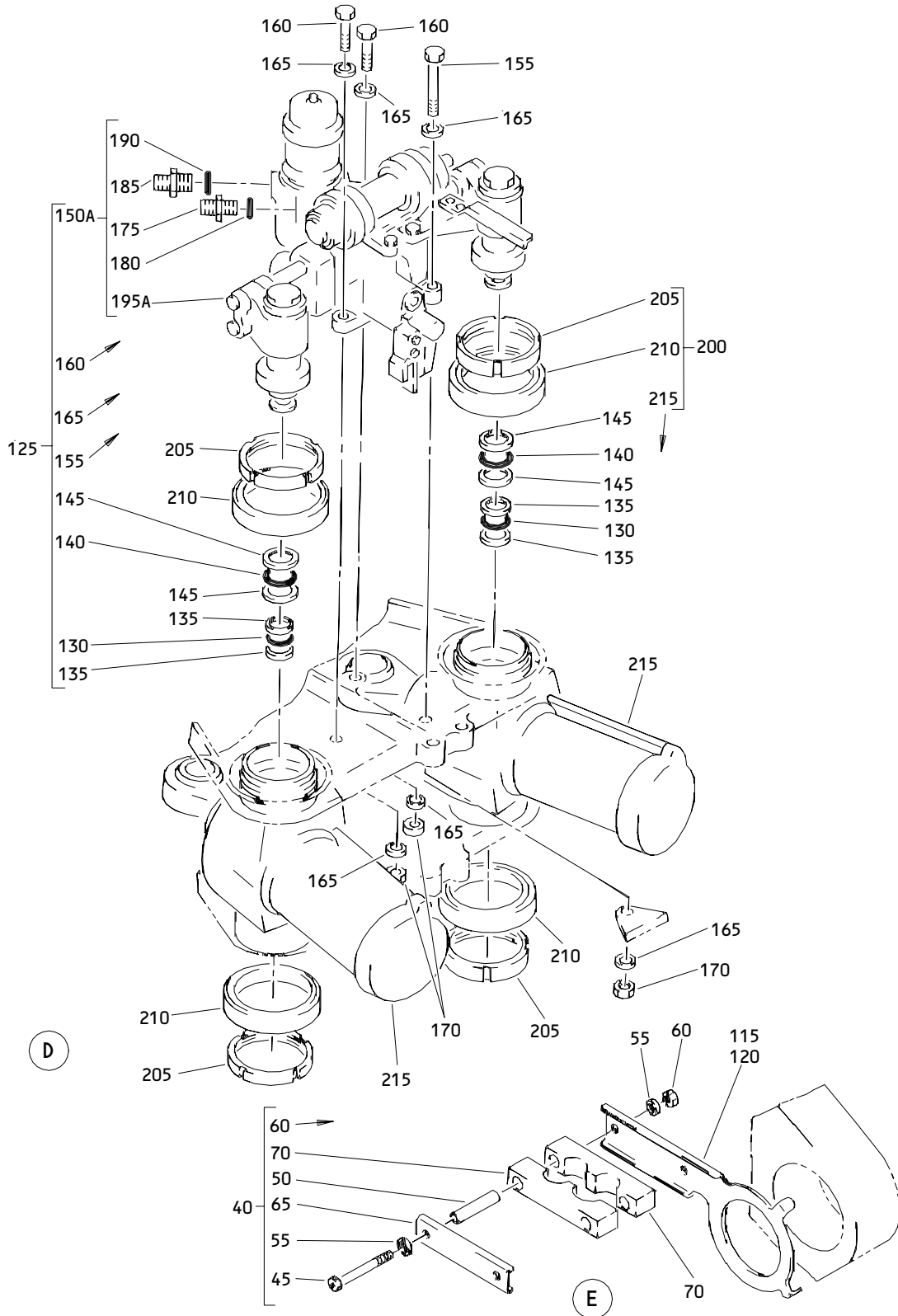
BOEING
COMPONENT
MAINTENANCE MANUAL



Section 62 Hydraulic Installation
Figure 2 (Sheet 2)

32-21-21

ILLUSTRATED PARTS LIST
01.101 Page 1058W
Nov 01/05



Section 62 Hydraulic Installation
 Figure 2 (Sheet 3)

32-21-21

ILLUSTRATED PARTS LIST
 01.101 Page 1058X
 Nov 01/05

BOEING
 COMPONENT
 MAINTENANCE MANUAL

FIG. & ITEM	PART NO.	AIRLINE PART NUMBER	NOMENCLATURE	EFF CODE	QTY PER ASSY
02- -1	272T6200-1		1234567 HYDRAULICS INSTL-SECT. 62	A-BA, BC-BF ,BM-B V,B X-BZ CB-CR ,CT,C Z,DB, DD,DF ,DK DN-DP ,DS- EA,E C-EH, EK-ES	RF
-2	272T6200-5001		.HYDRAULIC INSTL- (LIMITED)	A-BA, BC-BF ,BM-B V,B X-BZ CB-CR ,CT,C Z,DB, DD,DF ,DK DN-DP ,DS- EA,E C-EH, EK-ES	1
-2A	272T6200-5002		.HYDRAULIC INSTL- (LIMITED)	A-BA, BC-BF ,BM-B V,B X-BZ CB-CR ,CT,C Z,DB, DD,DF ,DK DN-DP ,DS- EA,E C-EH, EK-ES	1

32-21-21

ILLUSTRATED PARTS LIST
 01.101 Page 1058Y
 Nov 01/05

FIG. & ITEM	PART NO.	AIRLINE PART NUMBER	NOMENCLATURE 1234567	EFF CODE	QTY PER ASSY
02- -2B	272T6200-5003		.HYDRAULIC INSTL- (LIMITED)	A-BA, BC-BF ,BM-B V,B X-BZ CB-CR ,CT,C Z,DB, DD,DF ,DK DN-DP ,DS- EA,E C-EH, EK-ES	1
-2C	272T6200-5004		.HYDRAULIC INSTL- (LIMITED)	A-BA, BC-BF ,BM-B V,B X-BZ CB-CR ,CT,C Z,DB, DD,DF ,DK DN-DP ,DS- EA,E C-EH, EK-ES	1
-2D	272T6200-5005		.HYDRAULIC INSTL- (LIMITED)	A-BA, BC-BF ,BM-B V,B X-BZ CB-CR ,CT,C Z,DB, DD,DF ,DK DN-DP ,DS- EA,E C-EH, EK-ES	1

32-21-21

 ILLUSTRATED PARTS LIST
 01.101 Page 1058Z
 Nov 01/05

BOEING
 COMPONENT
 MAINTENANCE MANUAL

FIG. & ITEM	PART NO.	AIRLINE PART NUMBER	NOMENCLATURE 1234567	EFF CODE	QTY PER ASSY
02- -2E	272T6200-5006		.HYDRAULIC INSTL- (LIMITED)	A-BA, BC-BF ,BM-B V,B X-BZ CB-CR ,CT,C Z,DB, DD,DF ,DK DN-DP ,DS- EA,E C-EH, EK-ES	1
-2F	272T6200-5007		.HYDRAULIC INSTL- (LIMITED)	A-BA, BC-BF ,BM-B V,B X-BZ CB-CR ,CT,C Z,DB, DD,DF ,DK DN-DP ,DS- EA,E C-EH, EK-ES	1
-2G	272T6200-5008		.HYDRAULIC INSTL- (LIMITED)	A-BA, BC-BF ,BM-B V,B X-BZ CB-CR ,CT,C Z,DB, DD,DF ,DK DN-DP ,DS- EA,E C-EH, EK-ES	1

32-21-21

ILLUSTRATED PARTS LIST
 01.101 Page 1059
 Nov 01/05

FIG. & ITEM	PART NO.	AIRLINE PART NUMBER	NOMENCLATURE 1234567	EFF CODE	QTY PER ASSY
02- -2H	272T6200-5009		.HYDRAULIC INSTL- (LIMITED)	A-BA, BC-BF ,BM-B V,B X-BZ CB-CR ,CT,C Z,DB, DD,DF ,DK DN-DP ,DS- EA,E C-EH, EK-ES	1
-2J	272T6200-5010		.HYDRAULIC INSTL- (LIMITED)	A-BA, BC-BF ,BM-B V,B X-BZ CB-CR ,CT,C Z,DB, DD,DF ,DK DN-DP ,DS- EA,E C-EH, EK-ES	1
-2K	272T6200-5011		.HYDRAULIC INSTL- (LIMITED)	A-BA, BC-BF ,BM-B V,B X-BZ CB-CR ,CT,C Z,DB, DD,DF ,DK DN-DP ,DS- EA,E C-EH, EK-ES	1

32-21-21

 ILLUSTRATED PARTS LIST
 01.101 Page 1060
 Nov 01/05

BOEING
 COMPONENT
 MAINTENANCE MANUAL

FIG. & ITEM	PART NO.	AIRLINE PART NUMBER	NOMENCLATURE	EFF CODE	QTY PER ASSY
02-15	272T6200-4		1234567 ..TUBE ASSY- (USED ON ITEMS 2, 2A, 2B, 2C, 2D, 2F)	A-BA, BC-BF ,BM-B V,B X-BZ CB-CR ,CT,C Z,DB, DD,DF ,DK DN-DP ,DS- EA,E C-EH, EK-ES	1
-15A	272T6200-6		..TUBE ASSY- (USED ON ITEMS 2E, 2G, 2H, 2J, 2K)	A-BA, BC-BF ,BM-B V,B X-BZ CB-CR ,CT,C Z,DB, DD,DF ,DK DN-DP ,DS- EA,E C-EH, EK-ES	1

32-21-21

ILLUSTRATED PARTS LIST
 01.101 Page 1060A
 Nov 01/05

FIG. & ITEM	PART NO.	AIRLINE PART NUMBER	NOMENCLATURE	EFF CODE	QTY PER ASSY
02-20	272T6200-5		..TUBE ASSY- (USED ON ITEMS 2, 2A, 2B, 2C, 2D, 2F)	A-BA, BC-BF ,BM-B V,B X-BZ CB-CR ,CT,C Z,DB, DD,DF ,DK DN-DP ,DS- EA,E C-EH, EK-ES	1
-20A	272T6200-7		..TUBE ASSY- (USED ON ITEMS 2E, 2G, 2H, 2J, 2K)	A-BA, BC-BF ,BM-B V,B X-BZ CB-CR ,CT,C Z,DB, DD,DF ,DK DN-DP ,DS- EA,E C-EH, EK-ES	1
25	AS1581T10		...SLEEVE	A-BA, BC-BF ,BM-B V,B X-BZ CB-CR ,CT,C Z,DB, DD,DF ,DK DN-DP ,DS- EA,E C-EH, EK-ES	2

32-21-21

 ILLUSTRATED PARTS LIST
 01.101 Page 1060B
 Nov 01/05

BOEING
 COMPONENT
 MAINTENANCE MANUAL

FIG. & ITEM	PART NO.	AIRLINE PART NUMBER	NOMENCLATURE	EFF CODE	QTY PER ASSY
02-30	BACN10YA10		1234567 ...NUT	A-BA, BC-BF ,BM-B V,B X-BZ CB-CR ,CT,C Z,DB, DD,DF ,DK DN-DP ,DS- EA,E C-EH, EK-ES	2
40	270T0005-207		..BLOCK ASSY	A-BA, BC-BF ,BM-B V,B X-BZ CB-CR ,CT,C Z,DB, DD,DF ,DK DN-DP ,DS- EA,E C-EH, EK-ES	2
45	NAS1801-3-28		...SCREW	A-BA, BC-BF ,BM-B V,B X-BZ CB-CR ,CT,C Z,DB, DD,DF ,DK DN-DP ,DS- EA,E C-EH, EK-ES	2

32-21-21

ILLUSTRATED PARTS LIST
 01.101 Page 1060C
 Nov 01/05

FIG. & ITEM	PART NO.	AIRLINE PART NUMBER	NOMENCLATURE 1234567	EFF CODE	QTY PER ASSY
02-50	NAS43DD3-77		...SPACER	A-BA, BC-BF ,BM-B V,B X-BZ CB-CR ,CT,C Z,DB, DD,DF ,DK DN-DP ,DS- EA,E C-EH, EK-ES	2
55	AN960PD10L		...WASHER	A-BA, BC-BF ,BM-B V,B X-BZ CB-CR ,CT,C Z,DB, DD,DF ,DK DN-DP ,DS- EA,E C-EH, EK-ES	4
60	H10-3BAC		...NUT- (V15653) (SPEC BACN10JC3) (OPT NS202101-02 (V80539)) (OPT RMLH9075-3W (V72962)) (OPT T6S1032J (V71087)) (OPT VN303A02 (V92215)) (OPT 96-02 (V80539)) (OPT BRH10A3 (V52828))	A-BA, BC-BF ,BM-B V,B X-BZ CB-CR ,CT,C Z,DB, DD,DF ,DK DN-DP ,DS- EA,E C-EH, EK-ES	2

32-21-21

 ILLUSTRATED PARTS LIST
 01.101 Page 1060D
 Nov 01/05

BOEING
 COMPONENT
 MAINTENANCE MANUAL

FIG. & ITEM	PART NO.	AIRLINE PART NUMBER	NOMENCLATURE	EFF CODE	QTY PER ASSY
02-65	65B80254-300		1234567 ...CHANNEL	A-BA, BC-BF ,BM-B V,B X-BZ CB-CR ,CT,C Z,DB, DD,DF ,DK DN-DP ,DS- EA,E C-EH, EK-ES	1
70	65B80254-229		...BLOCK-CLAMP	A-BA, BC-BF ,BM-B V,B X-BZ CB-CR ,CT,C Z,DB, DD,DF ,DK DN-DP ,DS- EA,E C-EH, EK-ES	2
75	272T6215-1		..BRACKET INSTL	A-BA, BC-BF ,BM-B V,B X-BZ CB-CR ,CT,C Z,DB, DD,DF ,DK DN-DP ,DS- EA,E C-EH, EK-ES	1

32-21-21

ILLUSTRATED PARTS LIST
 01.101 Page 1060E
 Nov 01/05

FIG. & ITEM	PART NO.	AIRLINE PART NUMBER	NOMENCLATURE 1234567	EFF CODE	QTY PER ASSY
02-80	AN924-10		...NUT	A-BA, BC-BF ,BM-B V,B X-BZ CB-CR ,CT,C Z,DB, DD,DF ,DK DN-DP ,DS- EA,E C-EH, EK-ES	2
85	AE81090J		...JOINT ASSY-SWIVEL (V00624)	A-BA, BC-BF ,BM-B V,B X-BZ CB-CR ,CT,C Z,DB, DD,DF ,DK DN-DP ,DS- EA,E C-EH, EK-ES	2
90	272T6214-1		...BRACKET	A-BA, BC-BF ,BM-B V,B X-BZ CB-CR ,CT,C Z,DB, DD,DF ,DK DN-DP ,DS- EA,E C-EH, EK-ES	1

32-21-21

 ILLUSTRATED PARTS LIST
 01.101 Page 1060F
 Nov 01/05

BOEING
 COMPONENT
 MAINTENANCE MANUAL

FIG. & ITEM	PART NO.	AIRLINE PART NUMBER	NOMENCLATURE	EFF CODE	QTY PER ASSY
02-95	272T6215-3		1234567 ..BRACKET INSTL	A-BA, BC-BF ,BM-B V,B X-BZ CB-CR ,CT,C Z,DB, DD,DF ,DK DN-DP ,DS- EA,E C-EH, EK-ES	1
100 100A	NAS6603-3 NAS6603-5		DELETED ...BOLT	A-BA, BC-BF ,BM-B V,B X-BZ CB-CR ,CT,C Z,DB, DD,DF ,DK DN-DP ,DS- EA,E C-EH, EK-ES	2

32-21-21

ILLUSTRATED PARTS LIST
 01.101 Page 1060G
 Nov 01/05

FIG. & ITEM	PART NO.	AIRLINE PART NUMBER	NOMENCLATURE	EFF CODE	QTY PER ASSY
02-105 105A	AN960XC10L NAS1149D0316J		DELETED ...WASHER	A-BA, BC-BF ,BM-B V,B X-BZ CB-CR ,CT,C Z,DB, DD,DF ,DK DN-DP ,DS- EA,E C-EH, EK-ES	2
110	272T6211-1		...BRACKET	A-BA, BC-BF ,BM-B V,B X-BZ CB-CR ,CT,C Z,DB, DD,DF ,DK DN-DP ,DS- EA,E C-EH, EK-ES	1

32-21-21

 ILLUSTRATED PARTS LIST
 01.101 Page 1060H
 Nov 01/05

BOEING
 COMPONENT
 MAINTENANCE MANUAL

FIG. & ITEM	PART NO.	AIRLINE PART NUMBER	NOMENCLATURE 1234567	EFF CODE	QTY PER ASSY
02- -110A	272T6211-2		...BRACKET	A-BA, BC-BF ,BM-B V,B X-BZ CB-CR ,CT,C Z,DB, DD,DF ,DK DN-DP ,DS- EA,E C-EH, EK-ES	1
115	272T6215-2		..BRACKET INSTL	A-BA, BC-BF ,BM-B V,B X-BZ CB-CR ,CT,C Z,DB, DD,DF ,DK DN-DP ,DS- EA,E C-EH, EK-ES	1
120	272T6213-3		...BRACKET	A-BA, BC-BF ,BM-B V,B X-BZ CB-CR ,CT,C Z,DB, DD,DF ,DK DN-DP ,DS- EA,E C-EH, EK-ES	1

32-21-21

ILLUSTRATED PARTS LIST
 01.101 Page 1060I
 Nov 01/05

FIG. & ITEM	PART NO.	AIRLINE PART NUMBER	NOMENCLATURE	EFF CODE	QTY PER ASSY
02-125	275T6210-1		..VALVE INSTL- (USED ON ITEMS 2, 2A)	A-BA, BC-BF ,BM-B V,B X-BZ CB-CR ,CT,C Z,DB, DD,DF ,DK DN-DP ,DS- EA,E C-EH, EK-ES	1
-125A	275T6210-5		..VALVE INSTL- (USED ON ITEMS 2B, 2C, 2D)	A-BA, BC-BF ,BM-B V,B X-BZ CB-CR ,CT,C Z,DB, DD,DF ,DK DN-DP ,DS- EA,E C-EH, EK-ES	1
-125B	275T6210-7		..VALVE INSTL- (USED ON ITEM 2F, 2H)	A-BA, BC-BF ,BM-B V,B X-BZ CB-CR ,CT,C Z,DB, DD,DF ,DK DN-DP ,DS- EA,E C-EH, EK-ES	1

32-21-21

 ILLUSTRATED PARTS LIST
 01.101 Page 1060J
 Nov 01/05

BOEING
 COMPONENT
 MAINTENANCE MANUAL

FIG. & ITEM	PART NO.	AIRLINE PART NUMBER	NOMENCLATURE	EFF CODE	QTY PER ASSY
02-125C	275T6210-9		1234567 ..VALVE INSTL- (USED ON ITEMS 2E, 2G) 2J, 2K)	A-BA, BC-BF ,BM-B V,B X-BZ CB-CR ,CT,C Z,DB, DD,DF ,DK DN-DP ,DS- EA,E C-EH, EK-ES	1
130	NAS1611-213		...PACKING	A-BA, BC-BF ,BM-B V,B X-BZ CB-CR ,CT,C Z,DB, DD,DF ,DK DN-DP ,DS- EA,E C-EH, EK-ES	2
135	MS27595-213		...RETAINER	A-BA, BC-BF ,BM-B V,B X-BZ CB-CR ,CT,C Z,DB, DD,DF ,DK DN-DP ,DS- EA,E C-EH, EK-ES	8

32-21-21

ILLUSTRATED PARTS LIST
 01.101 Page 1060K
 Nov 01/05

FIG. & ITEM	PART NO.	AIRLINE PART NUMBER	NOMENCLATURE	EFF CODE	QTY PER ASSY
02-140	NAS1611-222		1234567 ...PACKING	A-BA, BC-BF ,BM-B V,B X-BZ CB-CR ,CT,C Z,DB, DD,DF ,DK DN-DP ,DS- EA,E C-EH, EK-ES	2
145	MS27595-222		...RETAINER	A-BA, BC-BF ,BM-B V,B X-BZ CB-CR ,CT,C Z,DB, DD,DF ,DK DN-DP ,DS- EA,E C-EH, EK-ES	8

32-21-21

 ILLUSTRATED PARTS LIST
 01.101 Page 1060L
 Nov 01/05

BOEING
 COMPONENT
 MAINTENANCE MANUAL

FIG. & ITEM	PART NO.	AIRLINE PART NUMBER	NOMENCLATURE	EFF CODE	QTY PER ASSY
			1234567		
02- 150 150A	275T6210-3 275T6210-4		DELETED ...VALVE ASSY- (USED ON ITEM 125)	A-BA, BC-BF ,BM-B V,B X-BZ CB-CR ,CT,C Z,DB, DD,DF ,DK DN-DP ,DS- EA,E C-EH, EK-ES	1
-150B	275T6210-6		...VALVE ASSY- (USED ON ITEM 125A)	A-BA, BC-BF ,BM-B V,B X-BZ CB-CR ,CT,C Z,DB, DD,DF ,DK DN-DP ,DS- EA,E C-EH, EK-ES	1

32-21-21

ILLUSTRATED PARTS LIST
 01.101 Page 1060M
 Nov 01/05

FIG. & ITEM	PART NO.	AIRLINE PART NUMBER	NOMENCLATURE	EFF CODE	QTY PER ASSY
02- -150C	275T6210-8		1234567 ...VALVE ASSY- (USED ON ITEM 125B)	A-BA, BC-BF ,BM-B V,B X-BZ CB-CR ,CT,C Z,DB, DD,DF ,DK DN-DP ,DS- EA,E C-EH, EK-ES	1
-150D	275T6210-10		...VALVE ASSY- (USED ON ITEM 125C)	A-BA, BC-BF ,BM-B V,B X-BZ CB-CR ,CT,C Z,DB, DD,DF ,DK DN-DP ,DS- EA,E C-EH, EK-ES	1

32-21-21

 ILLUSTRATED PARTS LIST
 01.101 Page 1060N
 Nov 01/05

BOEING
 COMPONENT
 MAINTENANCE MANUAL

FIG. & ITEM	PART NO.	AIRLINE PART NUMBER	NOMENCLATURE	EFF CODE	QTY PER ASSY
02- 155	BACB30NF6-44		1234567 ATTACHING PARTS ...BOLT	A-BA, BC-BF ,BM-B V,B X-BZ CB-CR ,CT,C Z,DB, DD,DF ,DK DN-DP ,DS- EA,E C-EH, EK-ES	1
160	BACB30NF6-28		...BOLT	A-BA, BC-BF ,BM-B V,B X-BZ CB-CR ,CT,C Z,DB, DD,DF ,DK DN-DP ,DS- EA,E C-EH, EK-ES	2

32-21-21

ILLUSTRATED PARTS LIST
 01.101 Page 10600
 Nov 01/05

FIG. & ITEM	PART NO.	AIRLINE PART NUMBER	NOMENCLATURE	EFF CODE	QTY PER ASSY
02-165	AN960PD616		1234567 ...WASHER	A-BA, BC-BF ,BM-B V,B X-BZ CB-CR ,CT,C Z,DB, DD,DF ,DK DN-DP ,DS- EA,E C-EH, EK-ES	6
170	BACN10JC6		...NUT -----*	A-BA, BC-BF ,BM-B V,B X-BZ CB-CR ,CT,C Z,DB, DD,DF ,DK DN-DP ,DS- EA,E C-EH, EK-ES	3

32-21-21

 ILLUSTRATED PARTS LIST
 01.101 Page 1060P
 Nov 01/05

BOEING
 COMPONENT
 MAINTENANCE MANUAL

FIG. & ITEM	PART NO.	AIRLINE PART NUMBER	NOMENCLATURE	EFF CODE	QTY PER ASSY
02-175	BACU24K10		1234567UNION- (OPT ITEM 175A)	A-BA, BC-BF ,BM-B V,B X-BZ CB-CR ,CT,C Z,DB, DD,DF ,DK DN-DP ,DS- EA,E C-EH, EK-ES	1
-175A	MS21902-10	UNION- (OPT ITEM 175)	A-BA, BC-BF ,BM-B V,B X-BZ CB-CR ,CT,C Z,DB, DD,DF ,DK DN-DP ,DS- EA,E C-EH, EK-ES	1

32-21-21

ILLUSTRATED PARTS LIST
 01.101 Page 1060Q
 Nov 01/05

FIG. & ITEM	PART NO.	AIRLINE PART NUMBER	NOMENCLATURE 1234567	EFF CODE	QTY PER ASSY
02-180	NAS1612-10	PACKING	A-BA, BC-BF ,BM-B V,B X-BZ CB-CR ,CT,C Z,DB, DD,DF ,DK DN-DP ,DS- EA,E C-EH, EK-ES	1
185	MS21916D12-10	REDUCER	A-BA, BC-BF ,BM-B V,B X-BZ CB-CR ,CT,C Z,DB, DD,DF ,DK DN-DP ,DS- EA,E C-EH, EK-ES	1
190	NAS1612-12	PACKING	A-BA, BC-BF ,BM-B V,B X-BZ CB-CR ,CT,C Z,DB, DD,DF ,DK DN-DP ,DS- EA,E C-EH, EK-ES	1

32-21-21

 ILLUSTRATED PARTS LIST
 01.101 Page 1060R
 Nov 01/05

BOEING
 COMPONENT
 MAINTENANCE MANUAL

FIG. & ITEM	PART NO.	AIRLINE PART NUMBER	NOMENCLATURE 1234567	EFF CODE	QTY PER ASSY
02- 195 195A	3790037-104 3790037-105		DELETEDMODULE-VALVE (V92003) (SPEC S275T601-5) (USED ON ITEM 150A)	A-BA, BC-BF ,BM-B V,B X-BZ CB-CR ,CT,C Z,DB, DD,DF ,DK DN-DP ,DS- EA,E C-EH, EK-ES	1
-195B	3790037-106	MODULE-VALVE (V92003) (SPEC S275T601-7) (USED ON ITEM 150B)	A-BA, BC-BF ,BM-B V,B X-BZ CB-CR ,CT,C Z,DB, DD,DF ,DK DN-DP ,DS- EA,E C-EH, EK-ES	1
-195C	3790037-107		DELETED		
-195D	S275T601-10		DELETED		

32-21-21

ILLUSTRATED PARTS LIST
 01.101 Page 1060S
 Nov 01/05

FIG. & ITEM	PART NO.	AIRLINE PART NUMBER	NOMENCLATURE 1234567	EFF CODE	QTY PER ASSY
02- -195E	3790037-107	MODULE-VALVE (V92003) (SPEC S275T601-10) (USED ON ITEM 150C)	A-BA, BC-BF ,BM-B V,B X-BZ CB-CR ,CT,C Z,DB, DD,DF ,DK DN-DP ,DS- EA,E C-EH, EK-ES	1
-195F -195G	S275T601-11 3790037-108		DELETEDMODULE-VALVE (V92003) (SPEC S275T601-11) (USED ON ITEM 150D) (POST SB 32-67)	A-BA, BC-BF ,BM-B V,B X-BZ CB-CR ,CT,C Z,DB, DD,DF ,DK DN-DP ,DS- EA,E C-EH, EK-ES	1

32-21-21

 ILLUSTRATED PARTS LIST
 01.101 Page 1060T
 Nov 01/05

BOEING
 COMPONENT
 MAINTENANCE MANUAL

FIG. & ITEM	PART NO.	AIRLINE PART NUMBER	NOMENCLATURE	EFF CODE	QTY PER ASSY
02- -200	275T6220-1		1234567 ..ACTUATOR INSTL- (USED ON ITEMS 2, 2A)	A-BA, BC-BF ,BM-B V,B X-BZ CB-CR ,CT,C Z,DB, DD,DF ,DK DN-DP ,DS- EA,E C-EH, EK-ES	1
-200A	275T6220-2		..ACTUATOR INSTL- (USED ON ITEM 2A, 2C)	A-BA, BC-BF ,BM-B V,B X-BZ CB-CR ,CT,C Z,DB, DD,DF ,DK DN-DP ,DS- EA,E C-EH, EK-ES	1

32-21-21

ILLUSTRATED PARTS LIST
 01.101 Page 1060U
 Nov 01/05

FIG. & ITEM	PART NO.	AIRLINE PART NUMBER	NOMENCLATURE	EFF CODE	QTY PER ASSY
02- -200B	275T6220-3		..ACTUATOR INSTL- (USED ON ITEMS 2D, 2F, 2G, 2H)	A-BA, BC-BF ,BM-B V,B X-BZ CB-CR ,CT,C Z,DB, DD,DF ,DK DN-DP ,DS- EA,E C-EH, EK-ES	1
-200C	275T6220-4		..ACTUATOR INSTL- (USED ON ITEM 2E)	A-BA, BC-BF ,BM-B V,B X-BZ CB-CR ,CT,C Z,DB, DD,DF ,DK DN-DP ,DS- EA,E C-EH, EK-ES	1
-200D	275T6220-5		..ACTUATOR INSTL- (USED ON ITEM 2J)	A-BA, BC-BF ,BM-B V,B X-BZ CB-CR ,CT,C Z,DB, DD,DF ,DK DN-DP ,DS- EA,E C-EH, EK-ES	1

32-21-21

 ILLUSTRATED PARTS LIST
 01.101 Page 1060V
 Nov 01/05

BOEING
 COMPONENT
 MAINTENANCE MANUAL

FIG. & ITEM	PART NO.	AIRLINE PART NUMBER	NOMENCLATURE	EFF CODE	QTY PER ASSY
02- -200E	275T6220-6		1234567 ..ACTUATOR INSTL- (USED ON ITEM 2K)	A-BA, BC-BF ,BM-B V,B X-BZ CB-CR ,CT,C Z,DB, DD,DF ,DK DN-DP ,DS- EA,E C-EH, EK-ES	1
205	SL2822-60		...NUT- (V97393) (SPEC BACN10RF60) (OPT BR9080-6012 (V72962)) (OPT 82631-6012 (V56878))	A-BA, BC-BF ,BM-B V,B X-BZ CB-CR ,CT,C Z,DB, DD,DF ,DK DN-DP ,DS- EA,E C-EH, EK-ES	4
210	DAT64-82B1-502		...BEARING- (V77896) (USED ON ITEMS 200, 200A)	A-BA, BC-BF ,BM-B V,B X-BZ CB-CR ,CT,C Z,DB, DD,DF ,DK DN-DP ,DS- EA,E C-EH, EK-ES	4

32-21-21

ILLUSTRATED PARTS LIST
 01.101 Page 1060W
 Nov 01/05

FIG. & ITEM	PART NO.	AIRLINE PART NUMBER	NOMENCLATURE 1234567	EFF CODE	QTY PER ASSY
02- -210A	DAT64-82B1-504		...BEARING- (V77896) (USED ON ITEMS 200B, 200C)	A-BA, BC-BF ,BM-B V,B X-BZ CB-CR ,CT,C Z,DB, DD,DF ,DK DN-DP ,DS- EA,E C-EH, EK-ES	4
-210B	DAT64-82B1-506		...BEARING- (V77896) (USED ON ITEMS 200B, 200C, 200D)	A-BA, BC-BF ,BM-B V,B X-BZ CB-CR ,CT,C Z,DB, DD,DF ,DK DN-DP ,DS- EA,E C-EH, EK-ES	4
-210C	DAT64-82B1-509		...BEARING- (V77896) (USED ON ITEM 200E)	A-BA, BC-BF ,BM-B V,B X-BZ CB-CR ,CT,C Z,DB, DD,DF ,DK DN-DP ,DS- EA,E C-EH, EK-ES	4

32-21-21

 ILLUSTRATED PARTS LIST
 01.101 Page 1060X
 Nov 01/05


BOEING
 COMPONENT
 MAINTENANCE MANUAL

FIG. & ITEM	PART NO.	AIRLINE PART NUMBER	NOMENCLATURE 1234567	EFF CODE	QTY PER ASSY
02-215	275T6221-2		...ACTUATOR ASSY- (OPT ITEMS 215A, 215B) (USED ON ITEM 200) (REF CMM 32-51-10)	A-BA, BC-BF ,BM-B V,B X-BZ CB-CR ,CT,C Z,DB, DD,DF ,DK DN-DP ,DS- EA,E C-EH, EK-ES	2
-215A	275T6221-1		...ACTUATOR ASSY- (OPT ITEMS 215, 215B) (USED ON ITEM 200) (REF CMM 32-51-10)	A-BA, BC-BF ,BM-B V,B X-BZ CB-CR ,CT,C Z,DB, DD,DF ,DK DN-DP ,DS- EA,E C-EH, EK-ES	2
-215B	275T6221-3		...ACTUATOR ASSY- (OPT ITEMS 215, 215A) (USED ON ITEM 200) (REF CMM 32-51-10)	A-BA, BC-BF ,BM-B V,B X-BZ CB-CR ,CT,C Z,DB, DD,DF ,DK DN-DP ,DS- EA,E C-EH, EK-ES	2

32-21-21

 ILLUSTRATED PARTS LIST
 01.101 Page 1060Y
 Nov 01/05

FIG. & ITEM	PART NO.	AIRLINE PART NUMBER	NOMENCLATURE 1234567	EFF CODE	QTY PER ASSY
02- -215C	275T6221-3		...ACTUATOR ASSY- (USED ON ITEMS 200A, 200C, 200D, 200E) (REF CMM 32-51-10)	A-BA, BC-BF ,BM-B V,B X-BZ CB-CR ,CT,C Z,DB, DD,DF ,DK DN-DP ,DS- EA,E C-EH, EK-ES	2
-215D	275T6221-3		...ACTUATOR ASSY- (OPT ITEM 215E) (USED ON ITEM 200B) (REF CMM 32-51-10)	A-BA, BC-BF ,BM-B V,B X-BZ CB-CR ,CT,C Z,DB, DD,DF ,DK DN-DP ,DS- EA,E C-EH, EK-ES	2

32-21-21

 ILLUSTRATED PARTS LIST
 01.101 Page 1060Z
 Nov 01/05


BOEING
 COMPONENT
 MAINTENANCE MANUAL

FIG. & ITEM	PART NO.	AIRLINE PART NUMBER	NOMENCLATURE 1234567	EFF CODE	QTY PER ASSY
02- -215E	275T6221-2		...ACTUATOR ASSY- (OPT ITEM 215D) (USED ON ITEM 200B) (REF CMM 32-51-10)	A-BA, BC-BF ,BM-B V,B X-BZ CB-CR ,CT,C Z,DB, DD,DF ,DK DN-DP ,DS- EA,E C-EH, EK-ES	2

- Item Not Illustrated

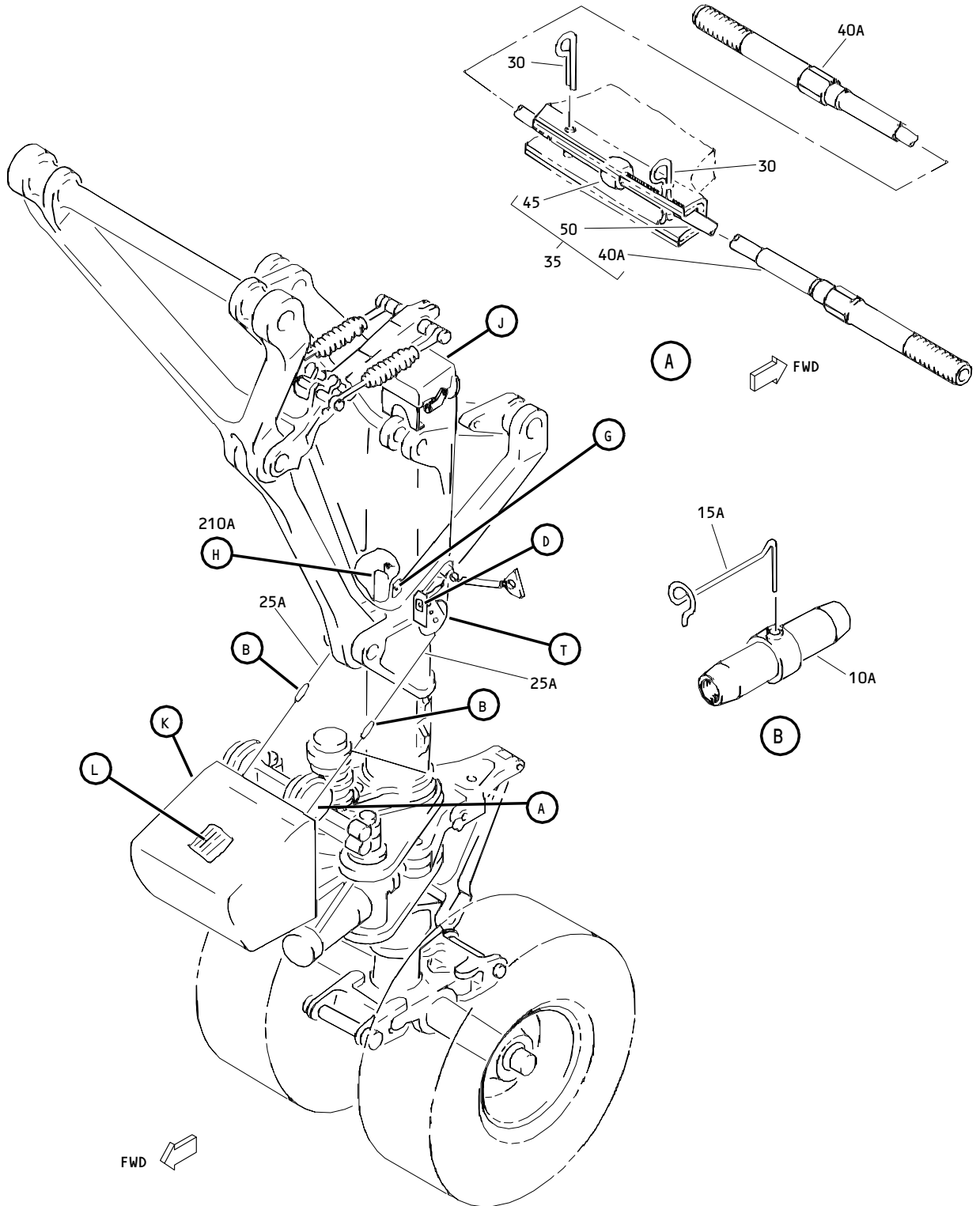
32-21-21

ILLUSTRATED PARTS LIST

01.101

Page 1061

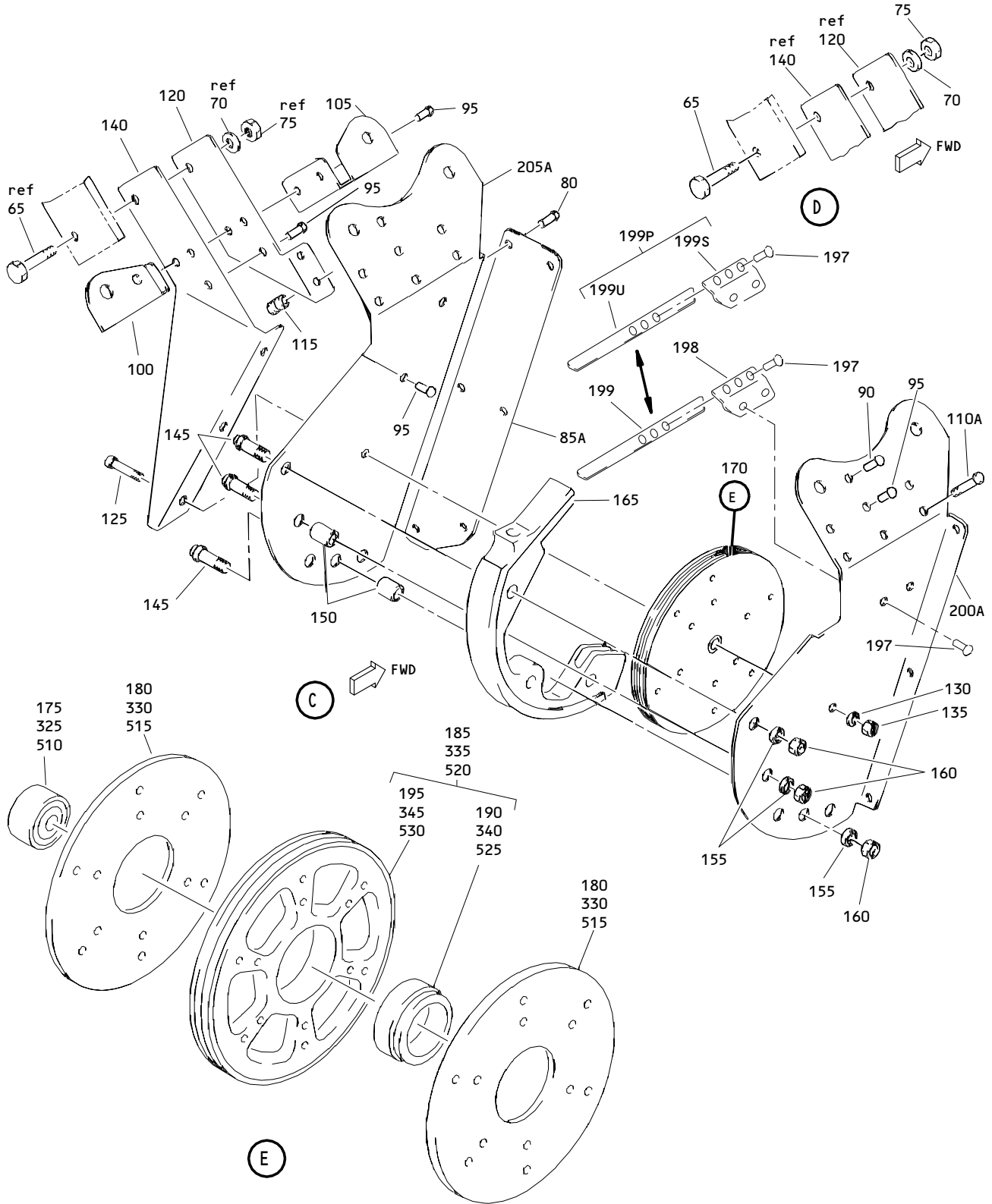
Nov 01/05



Nose Wheel Steering Control Installation
 Figure 3 (Sheet 1)

32-21-21

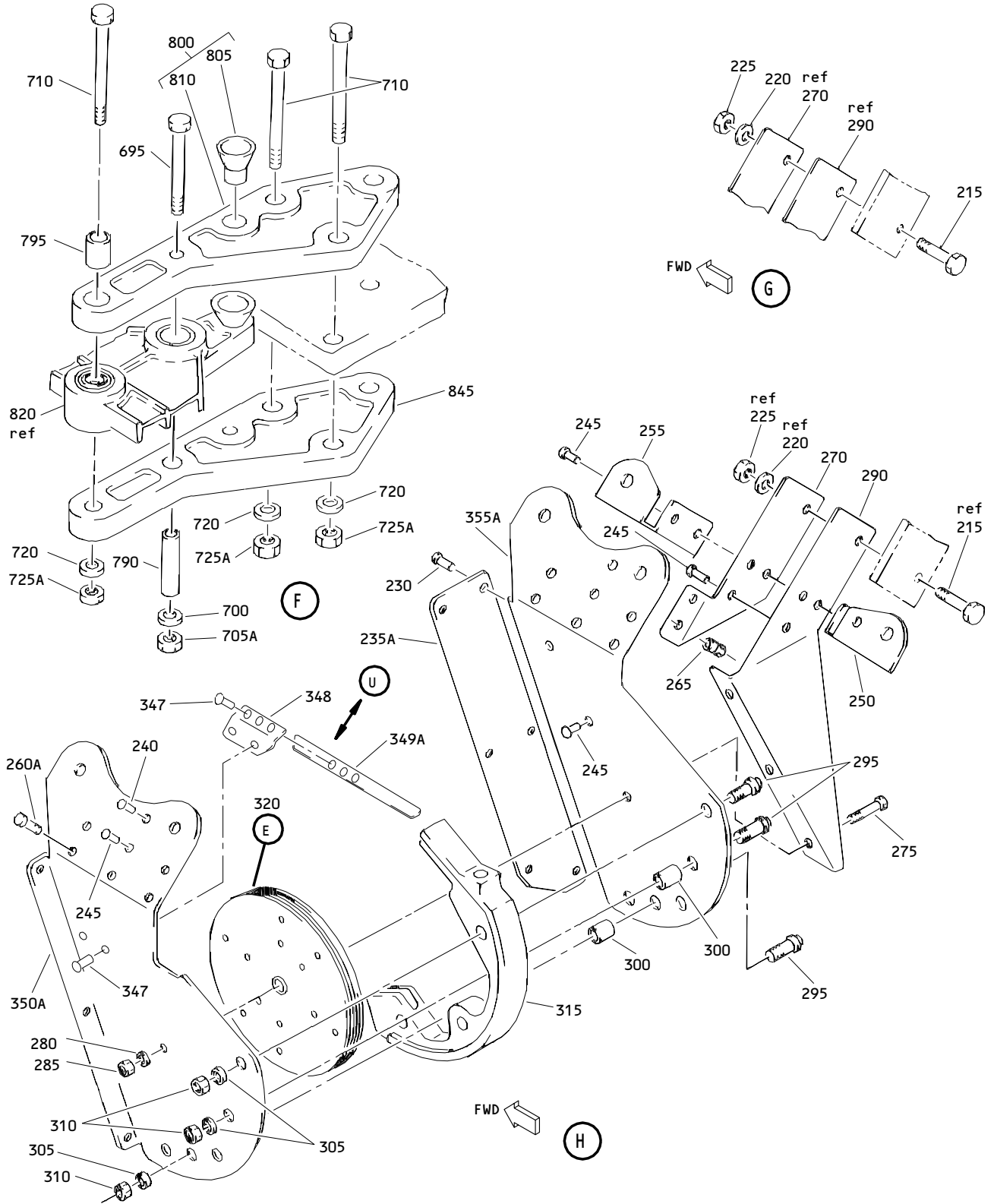
ILLUSTRATED PARTS LIST
 01.101 Page 1062A
 Nov 01/05



Nose Wheel Steering Control Installation
 Figure 3 (Sheet 2)

32-21-21

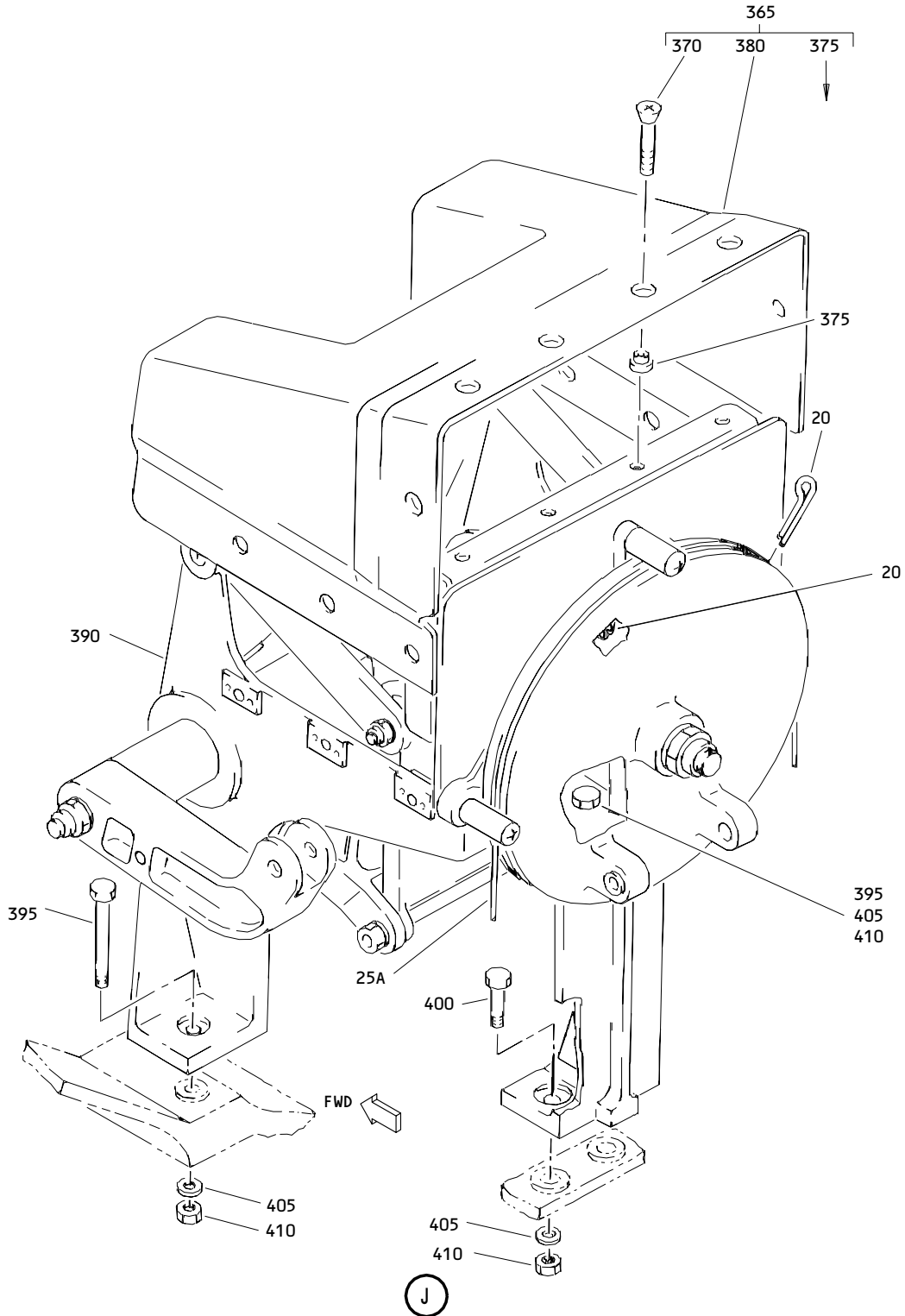
ILLUSTRATED PARTS LIST
 01.101 Page 1062B
 Nov 01/05



Nose Wheel Steering Control Installation
 Figure 3 (Sheet 3)

32-21-21

ILLUSTRATED PARTS LIST
 01.101 Page 1062C
 Nov 01/05

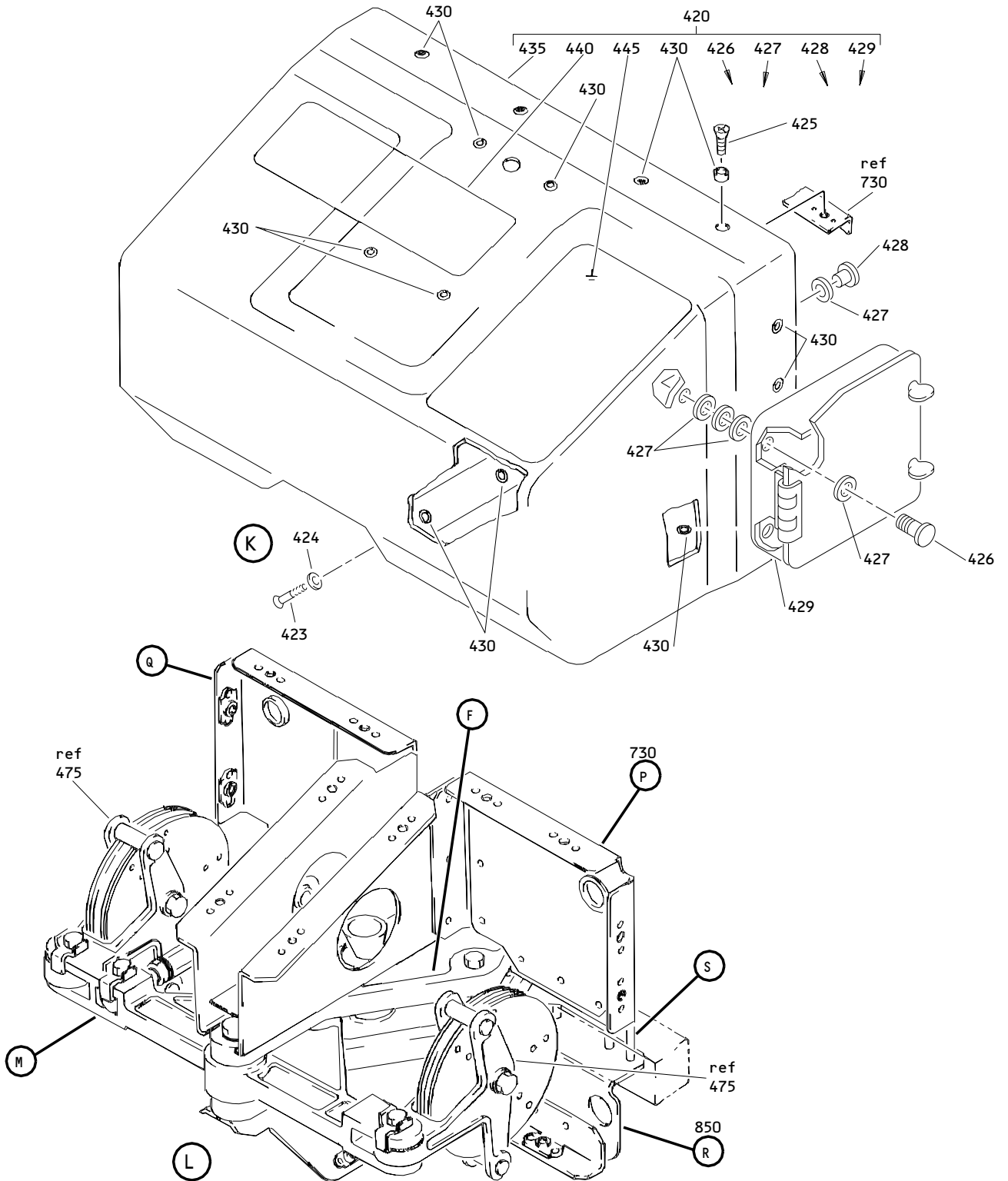


Nose Wheel Steering Control Installation
 Figure 3 (Sheet 4)

32-21-21

ILLUSTRATED PARTS LIST
 01.101 Page 1062D
 Nov 01/05

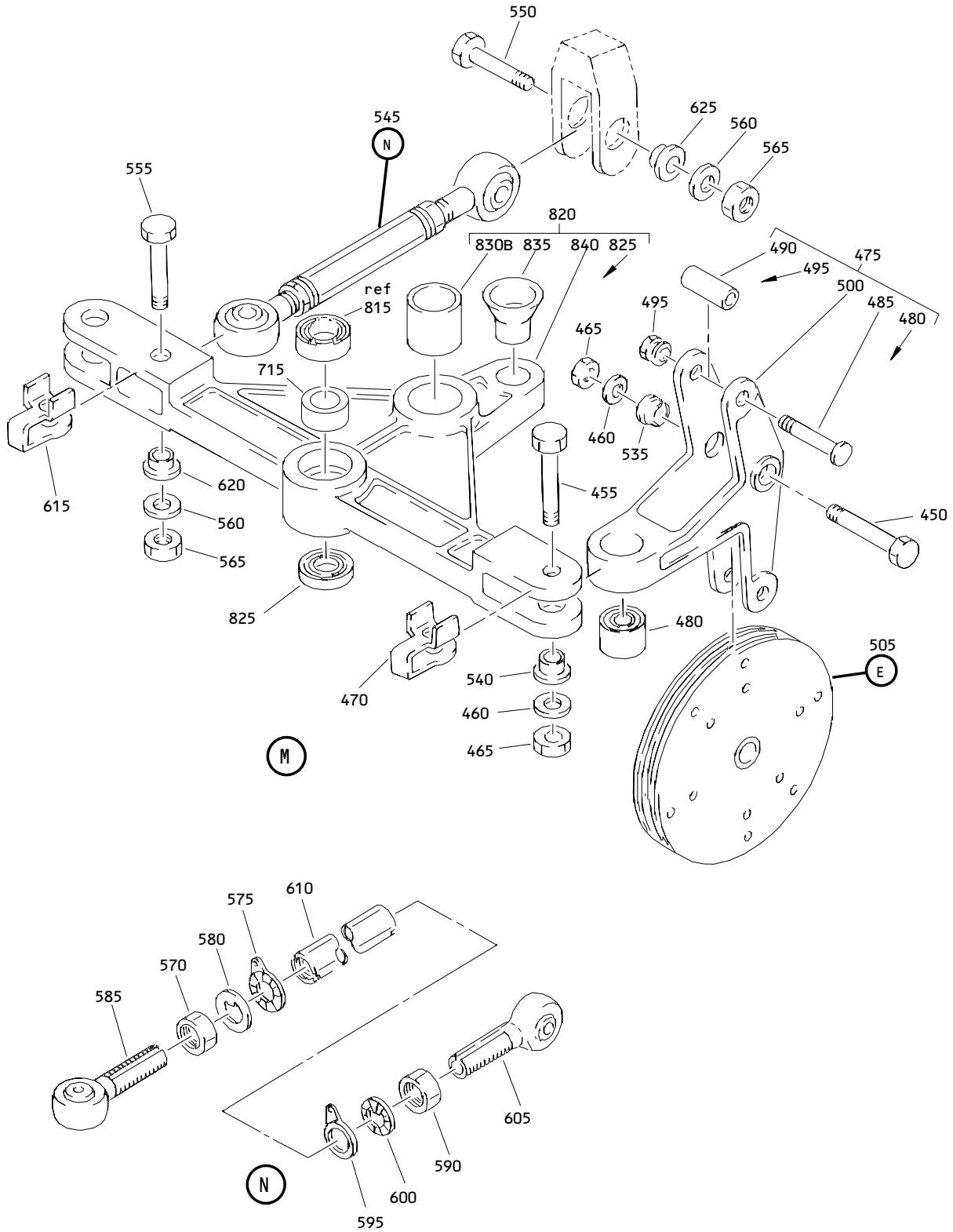
BOEING
COMPONENT
MAINTENANCE MANUAL



Nose Wheel Steering Control Installation
Figure 3 (Sheet 5)

32-21-21

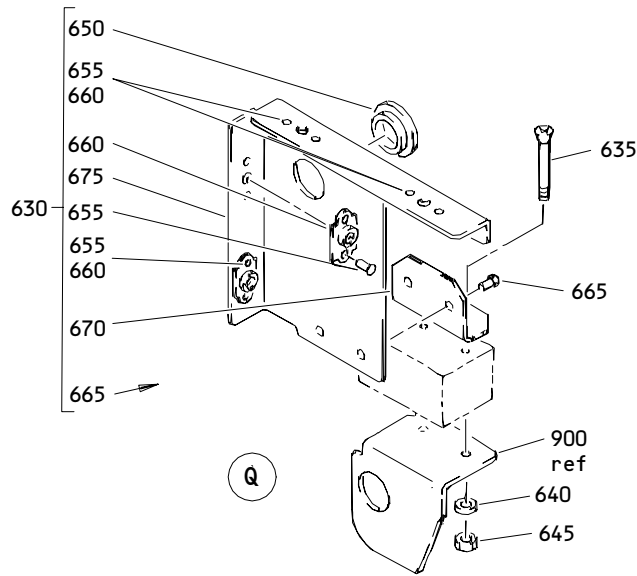
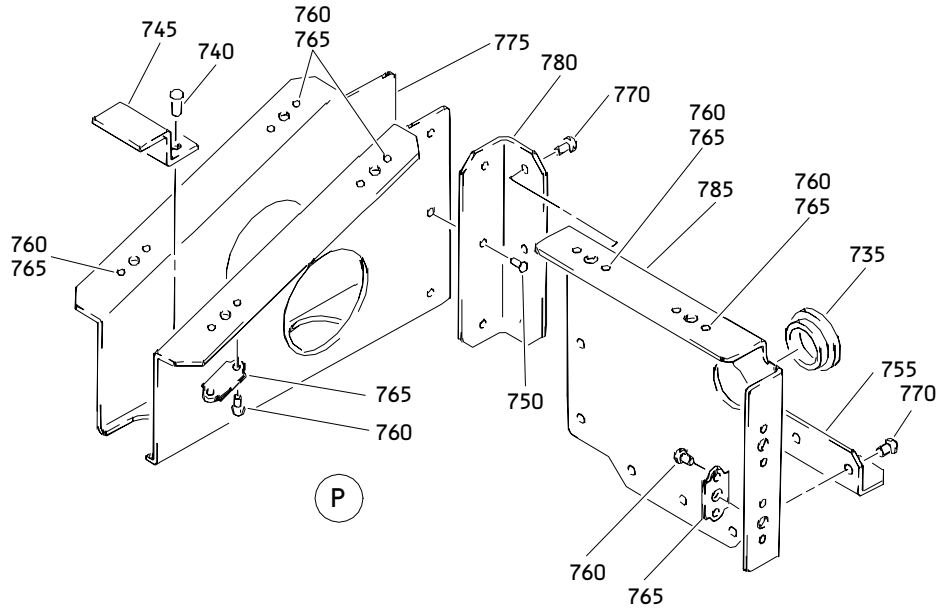
ILLUSTRATED PARTS LIST
01.101 Page 1062E
Nov 01/05



Nose Wheel Steering Control Installation
 Figure 3 (Sheet 6)

32-21-21

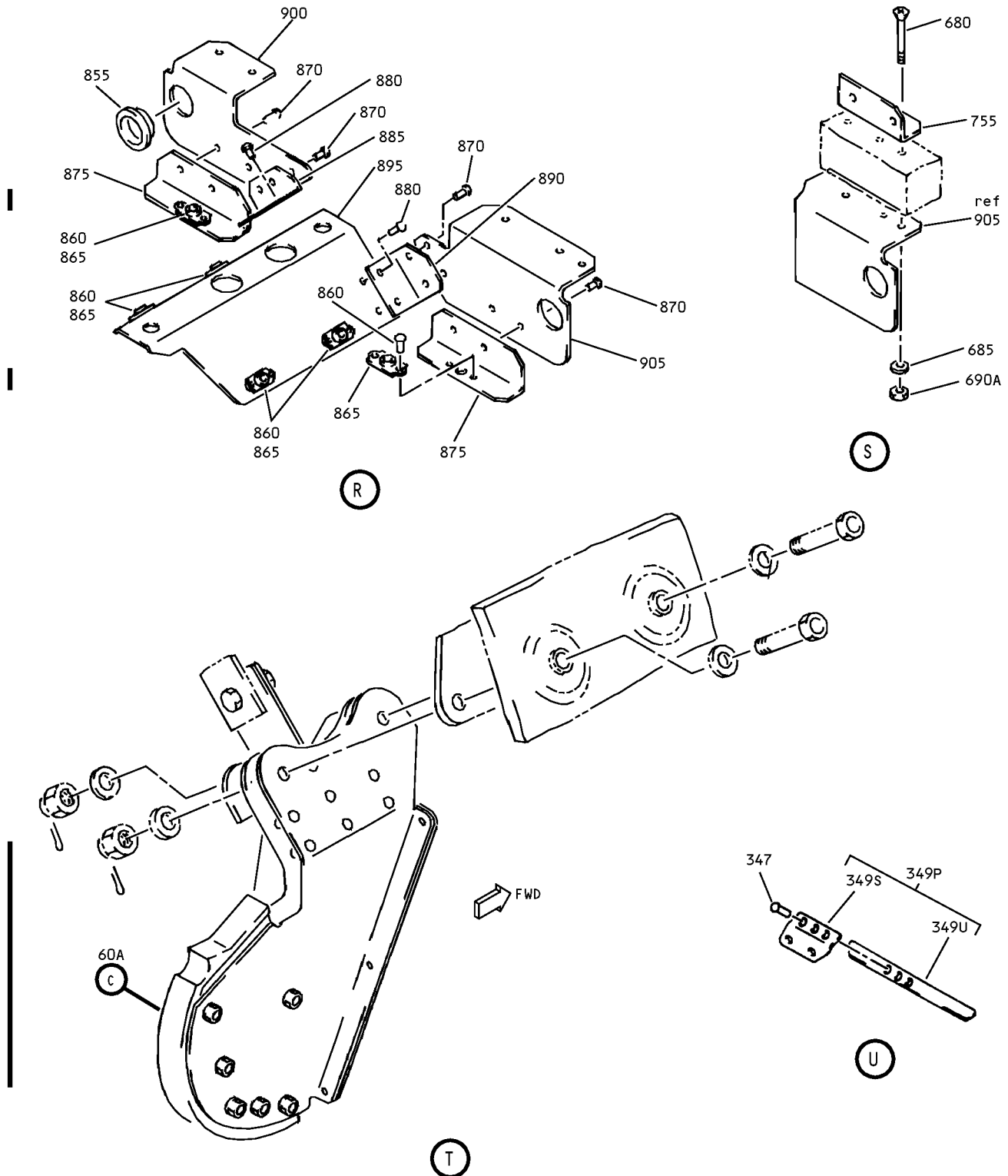
ILLUSTRATED PARTS LIST
 01.101 Page 1062F
 Nov 01/05



Nose Wheel Steering Control Installation
 Figure 3 (Sheet 7)

32-21-21

ILLUSTRATED PARTS LIST
 01.101 Page 1062G
 Nov 01/05



Nose Wheel Steering Control Installation
 Figure 3 (Sheet 8)

32-21-21

ILLUSTRATED PARTS LIST
 01.101 Page 1062H
 Nov 01/05

BOEING
 COMPONENT
 MAINTENANCE MANUAL

FIG. & ITEM	PART NO.	AIRLINE PART NUMBER	NOMENCLATURE	EFF CODE	QTY PER ASSY
			1234567		
03- -1 -5	257T4000-2 257T4000-5003		DELETED CONTROL INSTL-NOSE WHL STEERING (LIMITED)	A-BA, BC-BF ,BM-B V,B X-BZ CB-CR ,CT,C Z,DB, DD,DF ,DK DN-DP ,DS- EA,E C-EH, EK-ES	RF
-5A	257T4000-5004		CONTROL INSTL-NOSE WHL STEERING (LIMITED)	A-BA, BC-BF ,BM-B V,B X-BZ CB-CR ,CT,C Z,DB, DD,DF ,DK DN-DP ,DS- EA,E C-EH, EK-ES	RF

32-21-21

ILLUSTRATED PARTS LIST
 01.101 Page 1062I
 Nov 01/05

FIG. & ITEM	PART NO.	AIRLINE PART NUMBER	NOMENCLATURE 1234567	EFF CODE	QTY PER ASSY
03- -5B	257T4000-5015		CONTROL INSTL-NOSE WHL STEERING (LIMITED)	A-BA, BC-BF ,BM-B V,B X-BZ CB-CR ,CT,C Z,DB, DD,DF ,DK DN-DP ,DS- EA,E C-EH, EK-ES	RF
-5C	257T4000-8		DELETED		
-5D	257T4000-9		DELETED		
-5E	257T4000-5021		CONTROL INSTL-NOSE WHL STEERING (LIMITED)	A-BA, BC-BF ,BM-B V,B X-BZ CB-CR ,CT,C Z,DB, DD,DF ,DK DN-DP ,DS- EA,E C-EH, EK-ES	RF

32-21-21

 ILLUSTRATED PARTS LIST
 01.101 Page 1062J
 Nov 01/05

BOEING
 COMPONENT
 MAINTENANCE MANUAL

FIG. & ITEM	PART NO.	AIRLINE PART NUMBER	NOMENCLATURE	EFF CODE	QTY PER ASSY
03-5F	257T4000-5022		CONTROL INSTL-NOSE WHL STEERING (LIMITED)	A-BA, BC-BF ,BM-B V,B X-BZ CB-CR ,CT,C Z,DB, DD,DF ,DK DN-DP ,DS- EA,E C-EH, EK-ES	RF
-5G	257T4000-5023		CONTROL INSTL-NOSE WHL STEERING (LIMITED)	A-BA, BC-BF ,BM-B V,B X-BZ CB-CR ,CT,C Z,DB, DD,DF ,DK DN-DP ,DS- EA,E C-EH, EK-ES	RF

32-21-21

ILLUSTRATED PARTS LIST
 01.101 Page 1062K
 Nov 01/05

FIG. & ITEM	PART NO.	AIRLINE PART NUMBER	NOMENCLATURE 1234567	EFF CODE	QTY PER ASSY
03-5H	257T4000-5024		CONTROL INSTL-NOSE WHL STEERING (LIMITED)	A-BA, BC-BF ,BM-B V,B X-BZ CB-CR ,CT,C Z,DB, DD,DF ,DK DN-DP ,DS- EA,E C-EH, EK-ES	RF
-5J	257T4000-5025		CONTROL INSTL-NOSE WHL STEERING (LIMITED)	A-BA, BC-BF ,BM-B V,B X-BZ CB-CR ,CT,C Z,DB, DD,DF ,DK DN-DP ,DS- EA,E C-EH, EK-ES	RF
-5K	257T4000-5026		CONTROL INSTL-NOSE WHL STEERING (LIMITED)	A-BA, BC-BF ,BM-B V,B X-BZ CB-CR ,CT,C Z,DB, DD,DF ,DK DN-DP ,DS- EA,E C-EH, EK-ES	RF

32-21-21

 ILLUSTRATED PARTS LIST
 01.101 Page 1062L
 Nov 01/05

BOEING
 COMPONENT
 MAINTENANCE MANUAL

FIG. & ITEM	PART NO.	AIRLINE PART NUMBER	NOMENCLATURE 1234567	EFF CODE	QTY PER ASSY
03-5L	257T4000-5035		CONTROL INSTL-NOSE WHL STEERING (LIMITED)	A-BA, BC-BF, BM-BV, B, X-BZ, CB-CR, CT, C, Z, DB, DD, DF, DK, DN-DP, DS-EA, E, C-EH, EK-ES	RF
-5M	257T4000-5036		CONTROL INSTL-NOSE WHL STEERING (LIMITED)	A-BA, BC-BF, BM-BV, B, X-BZ, CB-CR, CT, C, Z, DB, DD, DF, DK, DN-DP, DS-EA, E, C-EH, EK-ES	RF
-5N	257T4000-5037		CONTROL INSTL-NOSE WHL STEERING (LIMITED)	A-BA, BC-BF, BM-BV, B, X-BZ, CB-CR, CT, C, Z, DB, DD, DF, DK, DN-DP, DS-EA, E, C-EH, EK-ES	RF

32-21-21

ILLUSTRATED PARTS LIST
 01.101 Page 1062M
 Nov 01/05

FIG. & ITEM	PART NO.	AIRLINE PART NUMBER	NOMENCLATURE 1234567	EFF CODE	QTY PER ASSY
03- -5P	257T4000-5048		CONTROL INSTL-NOSE WHL STEERING (LIMITED)	A-BA, BC-BF ,BM-B V,B X-BZ CB-CR ,CT,C Z,DB, DD,DF ,DK DN-DP ,DS- EA,E C-EH, EK-ES	RF
-5Q	257T4000-5049		CONTROL INSTL-NOSE WHL STEERING (LIMITED)	A-BA, BC-BF ,BM-B V,B X-BZ CB-CR ,CT,C Z,DB, DD,DF ,DK DN-DP ,DS- EA,E C-EH, EK-ES	RF
-5R	257T4000-5050		CONTROL INSTL-NOSE WHL STEERING (LIMITED)	A-BA, BC-BF ,BM-B V,B X-BZ CB-CR ,CT,C Z,DB, DD,DF ,DK DN-DP ,DS- EA,E C-EH, EK-ES	RF

32-21-21

 ILLUSTRATED PARTS LIST
 01.101 Page 1062N
 Nov 01/05

BOEING
 COMPONENT
 MAINTENANCE MANUAL

FIG. & ITEM	PART NO.	AIRLINE PART NUMBER	NOMENCLATURE	EFF CODE	QTY PER ASSY
			1234567		
03- 10 10A	MS2125B13S MS21251B3S		DELETED .TURNBUCKLE	A-BA, BC-BF ,BM-B V,B X-BZ CB-CR ,CT,C Z,DB, DD,DF ,DK DN-DP ,DS- EA,E C-EH, EK-ES	2
15 15A	MS21256-1 BACC15AJ1		DELETED .CLIP	A-BA, BC-BF ,BM-B V,B X-BZ CB-CR ,CT,C Z,DB, DD,DF ,DK DN-DP ,DS- EA,E C-EH, EK-ES	4

32-21-21

ILLUSTRATED PARTS LIST
 01.101 Page 10620
 Nov 01/05

FIG. & ITEM	PART NO.	AIRLINE PART NUMBER	NOMENCLATURE	EFF CODE	QTY PER ASSY
03-20	MS24665-132		.PIN-COTTER (USED ON ITEMS 5, 5A, 5B 5E, 5F, 5G, 5H, 5J, 5K, 5L, 5M, 5N)	A-BA, BC-BF ,BM-B V,B X-BZ CB-CR ,CT,C Z,DB, DD,DF ,DK DN-DP ,DS- EA,E C-EH, EK-ES	2
-20A	BACP18BC01C06P		.PIN-COTTER (USED ON ITEMS 5P, 5Q, 5R)	A-BA, BC-BF ,BM-B V,B X-BZ CB-CR ,CT,C Z,DB, DD,DF ,DK DN-DP ,DS- EA,E C-EH, EK-ES	2

32-21-21

 ILLUSTRATED PARTS LIST
 01.101 Page 1062P
 Nov 01/05

BOEING
 COMPONENT
 MAINTENANCE MANUAL

FIG. & ITEM	PART NO.	AIRLINE PART NUMBER	NOMENCLATURE	EFF CODE	QTY PER ASSY
			1234567		
03-25 25A	BACC2C3A00508CG BACC2D3A00508CG		DELETED .CABLE ASSY-(NWS2A, NWS2B) (USED ON ITEMS 5A, 5E, 5G)	A-BA, BC-BF ,BM-B V,B X-BZ CB-CR ,CT,C Z,DB, DD,DF ,DK DN-DP ,DS- EA,E C-EH, EK-ES	2
-25B	BACC2C3A00509CG		.CABLE ASSY-(NWS2A, NWS2B) (USED ON ITEM 5)	A-BA, BC-BF ,BM-B V,B X-BZ CB-CR ,CT,C Z,DB, DD,DF ,DK DN-DP ,DS- EA,E C-EH, EK-ES	2

32-21-21

ILLUSTRATED PARTS LIST
 01.101 Page 1062Q
 Nov 01/05

FIG. & ITEM	PART NO.	AIRLINE PART NUMBER	NOMENCLATURE 1234567	EFF CODE	QTY PER ASSY
03- -25C	BACC2C3D00509CG		.CABLE ASSY-(NWS2A, NWS2B) (USED ON ITEMS 5B, 5E, 5H, 5J, 5K)	A-BA, BC-BF ,BM-B V,B X-BZ CB-CR ,CT,C Z,DB, DD,DF ,DK DN-DP ,DS- EA,E C-EH, EK-ES	2
30	MS24665-71		.PIN-COTTER (USED ON ITEMS 5, 5A, 5B 5E, 5F, 5G, 5H, 5J, 5K, 5L, 5M, 5N)	A-BA, BC-BF ,BM-B V,B X-BZ CB-CR ,CT,C Z,DB, DD,DF ,DK DN-DP ,DS- EA,E C-EH, EK-ES	2
-30A	BACP18BC02C04P		.PIN-COTTER (USED ON ITEMS 5P, 5Q, 5R)	A-BA, BC-BF ,BM-B V,B X-BZ CB-CR ,CT,C Z,DB, DD,DF ,DK DN-DP ,DS- EA,E C-EH, EK-ES	2

32-21-21

 ILLUSTRATED PARTS LIST
 01.101 Page 1062R
 Nov 01/05


BOEING
 COMPONENT
 MAINTENANCE MANUAL

FIG. & ITEM	PART NO.	AIRLINE PART NUMBER	NOMENCLATURE 1234567	EFF CODE	QTY PER ASSY
03-35	251T2050-33		.CABLE ASSY-(NWS2A-NWS2B) (USED ON ITEMS 5, 5B, 5F)	A-BA, BC-BF ,BM-B V,B X-BZ CB-CR ,CT,C Z,DB, DD,DF ,DK DN-DP ,DS- EA,E C-EH, EK-ES	1
-35A	251T2050-34		.CABLE ASSY-(NWS2A-NWS2B) (USED ON ITEMS 5A, 5E, 5G)	A-BA, BC-BF ,BM-B V,B X-BZ CB-CR ,CT,C Z,DB, DD,DF ,DK DN-DP ,DS- EA,E C-EH, EK-ES	1
-35B	251T2050-83		.CABLE ASSY-(NWS2A-NWS2B) (OPT ITEM 35C) (USED ON ITEMS 5B, 5F)	A-BA, BC-BF ,BM-B V,B X-BZ CB-CR ,CT,C Z,DB, DD,DF ,DK DN-DP ,DS- EA,E C-EH, EK-ES	1

32-21-21

 ILLUSTRATED PARTS LIST
 01.101 Page 1062S
 Nov 01/05

FIG. & ITEM	PART NO.	AIRLINE PART NUMBER	NOMENCLATURE	EFF CODE	QTY PER ASSY
			1234567		
03- -35C	251T2050-33		.CABLE ASSY-(NWS2A-NWS2B) (OPT ITEM 35B) (USED ON ITEMS 5B, 5F)	A-BA, BC-BF ,BM-B V,B X-BZ CB-CR ,CT,C Z,DB, DD,DF ,DK DN-DP ,DS- EA,E C-EH, EK-ES	1
-35D	251T2050-83		.CABLE ASSY-(NWS2A-NWS2B) (USED ON ITEMS 5H, 5J 5K)	A-BA, BC-BF ,BM-B V,B X-BZ CB-CR ,CT,C Z,DB, DD,DF ,DK DN-DP ,DS- EA,E C-EH, EK-ES	1

32-21-21

 ILLUSTRATED PARTS LIST
 01.101 Page 1062T
 Nov 01/05

BOEING
 COMPONENT
 MAINTENANCE MANUAL

FIG. & ITEM	PART NO.	AIRLINE PART NUMBER	NOMENCLATURE	EFF CODE	QTY PER ASSY
			1234567		
03- 40 40A	MS21260L3RH MS21260S3RH		DELETED .. TERMINAL	A-BA, BC-BF ,BM-B V,B X-BZ CB-CR ,CT,C Z,DB, DD,DF ,DK DN-DP ,DS- EA,E C-EH, EK-ES	2
45	BA3-3		.. TERMINAL- (V65196) (SPEC BACT14B3) (OPT HI2487-3 (V26590)) (OPT HT200-3 (V83014)) (OPT RA2487-3 (V80523)) (OPT BM2487-3 (V22277)) (OPT BM2487-3 (V22277))	A-BA, BC-BF ,BM-B V,B X-BZ CB-CR ,CT,C Z,DB, DD,DF ,DK DN-DP ,DS- EA,E C-EH, EK-ES	1

32-21-21

ILLUSTRATED PARTS LIST
 01.101 Page 1062U
 Nov 01/05

FIG. & ITEM	PART NO.	AIRLINE PART NUMBER	NOMENCLATURE	EFF CODE	QTY PER ASSY
			1234567		
03-50	251T2050-101		..CABLE- (USED ON ITEM 35, 35C)	A-BA, BC-BF ,BM-B V,B X-BZ CB-CR ,CT,C Z,DB, DD,DF ,DK DN-DP ,DS- EA,E C-EH, EK-ES	1
-50A	251T2050-103		..CABLE- (USED ON ITEM 35A)	A-BA, BC-BF ,BM-B V,B X-BZ CB-CR ,CT,C Z,DB, DD,DF ,DK DN-DP ,DS- EA,E C-EH, EK-ES	1

32-21-21

 ILLUSTRATED PARTS LIST
 01.101 Page 1062V
 Nov 01/05

BOEING
 COMPONENT
 MAINTENANCE MANUAL

FIG. & ITEM	PART NO.	AIRLINE PART NUMBER	NOMENCLATURE	EFF CODE	QTY PER ASSY
03-50B	251T2050-112		1234567 ..CABLE- (USED ON ITEMS 35B, 35D)	A-BA, BC-BF ,BM-B V,B X-BZ CB-CR ,CT,C Z,DB, DD,DF ,DK DN-DP ,DS- EA,E C-EH, EK-ES	1
-55	257T4406-1		.BRACKET INSTL-PULLEY (USED ON ITEMS 5, 5A, 5B)	A-BA, BC-BF ,BM-B V,B X-BZ CB-CR ,CT,C Z,DB, DD,DF ,DK DN-DP ,DS- EA,E C-EH, EK-ES	1
-55A	257T4406-2		.BRACKET INSTL-PULLEY (USED ON ITEMS 5E, 5F, 5G, 5H, 5J, 5K)	A-BA, BC-BF ,BM-B V,B X-BZ CB-CR ,CT,C Z,DB, DD,DF ,DK DN-DP ,DS- EA,E C-EH, EK-ES	1

32-21-21

ILLUSTRATED PARTS LIST
 01.101 Page 1062W
 Nov 01/05

FIG. & ITEM	PART NO.	AIRLINE PART NUMBER	NOMENCLATURE	EFF CODE	QTY PER ASSY
			1234567		
03-60 60A	257T4407-17 257T4407-21		DELETED ..BRACKET ASSY-PULLEY (USED ON ITEM 55) (PRE SB 32-66)	A-BA, BC-BF ,BM-B V,B X-BZ CB-CR ,CT,C Z,DB, DD,DF ,DK DN-DP ,DS- EA,E C-EH, EK-ES	1
-60B	257T4407-31		..BRACKET ASSY-PULLEY (USED ON ITEM 55A) (POST SB 32-66)	A-BA, BC-BF ,BM-B V,B X-BZ CB-CR ,CT,C Z,DB, DD,DF ,DK DN-DP ,DS- EA,E C-EH, EK-ES	1
ATTACHING PARTS					

32-21-21

 ILLUSTRATED PARTS LIST
 01.101 Page 1062X
 Nov 01/05

BOEING
 COMPONENT
 MAINTENANCE MANUAL

FIG. & ITEM	PART NO.	AIRLINE PART NUMBER	NOMENCLATURE	EFF CODE	QTY PER ASSY
03-65	BACB30NF4-9		..BOLT	A-BA, BC-BF ,BM-B V,B X-BZ CB-CR ,CT,C Z,DB, DD,DF ,DK DN-DP ,DS- EA,E C-EH, EK-ES	1
70	AN960PD416		..WASHER	A-BA, BC-BF ,BM-B V,B X-BZ CB-CR ,CT,C Z,DB, DD,DF ,DK DN-DP ,DS- EA,E C-EH, EK-ES	1

32-21-21

ILLUSTRATED PARTS LIST
 01.101 Page 1062Y
 Nov 01/05

FIG. & ITEM	PART NO.	AIRLINE PART NUMBER	NOMENCLATURE	EFF CODE	QTY PER ASSY
03-75	BACN10JC4		1234567 ..NUT	A-BA, BC-BF ,BM-B V,B X-BZ CB-CR ,CT,C Z,DB, DD,DF ,DK DN-DP ,DS- EA,E C-EH, EK-ES	1
80	BACR15BB4AD		-----*----- ...RIVET- (SIZE DETERMINE ON INST)	A-BA, BC-BF ,BM-B V,B X-BZ CB-CR ,CT,C Z,DB, DD,DF ,DK DN-DP ,DS- EA,E C-EH, EK-ES	6

32-21-21

 ILLUSTRATED PARTS LIST
 01.101 Page 1062Z
 Nov 01/05

BOEING
 COMPONENT
 MAINTENANCE MANUAL

FIG. & ITEM	PART NO.	AIRLINE PART NUMBER	NOMENCLATURE	EFF CODE	QTY PER ASSY
			1234567		
03- 85 85A	257T4407-15 257T4407-25		DELETED ...COVER	A-BA, BC-BF ,BM-B V,B X-BZ CB-CR ,CT,C Z,DB, DD,DF ,DK DN-DP ,DS- EA,E C-EH, EK-ES	1
90	BACR15BA5KE		...RIVET- (SIZE DETERMINE ON INST)	A-BA, BC-BF ,BM-B V,B X-BZ CB-CR ,CT,C Z,DB, DD,DF ,DK DN-DP ,DS- EA,E C-EH, EK-ES	1

32-21-21

ILLUSTRATED PARTS LIST
 01.101 Page 1063
 Nov 01/05

FIG. & ITEM	PART NO.	AIRLINE PART NUMBER	NOMENCLATURE	EFF CODE	QTY PER ASSY
			1234567		
03-95	BACR15FT5KE		...RIVET- (SIZE DETERMINE ON INST)	A-BA, BC-BF ,BM-B V,B X-BZ CB-CR ,CT,C Z,DB, DD,DF ,DK DN-DP ,DS- EA,E C-EH, EK-ES	9
100	257T4407-13		...GUSSET	A-BA, BC-BF ,BM-B V,B X-BZ CB-CR ,CT,C Z,DB, DD,DF ,DK DN-DP ,DS- EA,E C-EH, EK-ES	1

32-21-21

 ILLUSTRATED PARTS LIST
 01.101 Page 1064
 Nov 01/05


BOEING
 COMPONENT
 MAINTENANCE MANUAL

FIG. & ITEM	PART NO.	AIRLINE PART NUMBER	NOMENCLATURE 1234567	EFF CODE	QTY PER ASSY
03-105	257T4407-3		...GUSSET	A-BA, BC-BF ,BM-B V,B X-BZ CB-CR ,CT,C Z,DB, DD,DF ,DK DN-DP ,DS- EA,E C-EH, EK-ES	1
110 110A	BACB30NX5K HL12VAZ5-4		DELETED ...BOLT- (V56878) (SPEC BACB30NX5K4) (OPT HL12VAZ5-4 (V73197)) (OPT HL12VAZ5-4 (V92215)) (OPT HL12VAZ5-4 (V97928)) (OPT L802-5K4 (V06725)) (OPT HL12-4 (V06725)) (OPT HL12VAZ5-4 (V97928))	A-BA, BC-BF ,BM-B V,B X-BZ CB-CR ,CT,C Z,DB, DD,DF ,DK DN-DP ,DS- EA,E C-EH, EK-ES	2

32-21-21

 ILLUSTRATED PARTS LIST
 01.101 Page 1064A
 Nov 01/05

FIG. & ITEM	PART NO.	AIRLINE PART NUMBER	NOMENCLATURE 1234567	EFF CODE	QTY PER ASSY
03-115	HL1187-5		...COLLAR- (V73197) (SPEC BACC30X5) (OPT HL87-5 (V73197)) (OPT HL87-5 (V92215)) (OPT HL86PB5 (V73197)) (OPT HL86PB5 (V56878)) (OPT HL86PB5 (V92215)) (OPT HL1187-5 (V56878)) (OPT HL1187-5 (V92215)) (OPT HL87-5 (V56878)) (OPT HL1187-5 (V5M902))	A-BA, BC-BF ,BM-B V,B X-BZ CB-CR ,CT,C Z,DB, DD,DF ,DK DN-DP ,DS- EA,E C-EH, EK-ES	2
120	257T4407-11		...ANGLE-SPRT	A-BA, BC-BF ,BM-B V,B X-BZ CB-CR ,CT,C Z,DB, DD,DF ,DK DN-DP ,DS- EA,E C-EH, EK-ES	1

32-21-21

 ILLUSTRATED PARTS LIST
 01.101 Page 1064B
 Nov 01/05

BOEING
 COMPONENT
 MAINTENANCE MANUAL

FIG. & ITEM	PART NO.	AIRLINE PART NUMBER	NOMENCLATURE	EFF CODE	QTY PER ASSY
03-125	BACB30NF4-11		1234567 ...BOLT	A-BA, BC-BF ,BM-B V,B X-BZ CB-CR ,CT,C Z,DB, DD,DF ,DK DN-DP ,DS- EA,E C-EH, EK-ES	1
130	AN960PD416		...WASHER	A-BA, BC-BF ,BM-B V,B X-BZ CB-CR ,CT,C Z,DB, DD,DF ,DK DN-DP ,DS- EA,E C-EH, EK-ES	1

32-21-21

ILLUSTRATED PARTS LIST
 01.101 Page 1064C
 Nov 01/05

FIG. & ITEM	PART NO.	AIRLINE PART NUMBER	NOMENCLATURE	EFF CODE	QTY PER ASSY
03-135	BACN10JC4		1234567 ...NUT	A-BA, BC-BF ,BM-B V,B X-BZ CB-CR ,CT,C Z,DB, DD,DF ,DK DN-DP ,DS- EA,E C-EH, EK-ES	1
140	257T4407-9		...BRACE-SIDE	A-BA, BC-BF ,BM-B V,B X-BZ CB-CR ,CT,C Z,DB, DD,DF ,DK DN-DP ,DS- EA,E C-EH, EK-ES	1

32-21-21

 ILLUSTRATED PARTS LIST
 01.101 Page 1064D
 Nov 01/05

BOEING
 COMPONENT
 MAINTENANCE MANUAL

FIG. & ITEM	PART NO.	AIRLINE PART NUMBER	NOMENCLATURE	EFF CODE	QTY PER ASSY
03-145	NAS623-3-10		1234567 ...SCREW	A-BA, BC-BF ,BM-B V,B X-BZ CB-CR ,CT,C Z,DB, DD,DF ,DK DN-DP ,DS- EA,E C-EH, EK-ES	5
150	NAS42DD6-31		...SPACER	A-BA, BC-BF ,BM-B V,B X-BZ CB-CR ,CT,C Z,DB, DD,DF ,DK DN-DP ,DS- EA,E C-EH, EK-ES	2
155	AN960PD10		...WASHER	A-BA, BC-BF ,BM-B V,B X-BZ CB-CR ,CT,C Z,DB, DD,DF ,DK DN-DP ,DS- EA,E C-EH, EK-ES	5

32-21-21

ILLUSTRATED PARTS LIST
 01.101 Page 1064E
 Nov 01/05

FIG. & ITEM	PART NO.	AIRLINE PART NUMBER	NOMENCLATURE	EFF CODE	QTY PER ASSY
03-160	H10-3BAC		1234567 ...NUT- (V15653) (SPEC BACN10JC3) (OPT NS202101-02 (V80539)) (OPT RMLH9075-3W (V72962)) (OPT T6S1032J (V71087)) (OPT VN303A02 (V92215)) (OPT 96-02 (V80539)) (OPT BRH10A3 (V52828))	A-BA, BC-BF ,BM-B V,B X-BZ CB-CR ,CT,C Z,DB, DD,DF ,DK DN-DP ,DS- EA,E C-EH, EK-ES	5
165	257T4408-1		...GUARD	A-BA, BC-BF ,BM-B V,B X-BZ CB-CR ,CT,C Z,DB, DD,DF ,DK DN-DP ,DS- EA,E C-EH, EK-ES	1

32-21-21

 ILLUSTRATED PARTS LIST
 01.101 Page 1064F
 Nov 01/05

BOEING
 COMPONENT
 MAINTENANCE MANUAL

FIG. & ITEM	PART NO.	AIRLINE PART NUMBER	NOMENCLATURE	EFF CODE	QTY PER ASSY
03-170	65B80977-1		1234567 ...PULLEY ASSY- (OPT ITEM 170A)	A-BA, BC-BF ,BM-B V,B X-BZ CB-CR ,CT,C Z,DB, DD,DF ,DK DN-DP ,DS- EA,E C-EH, EK-ES	1
-170A	AVS4CM		...PULLEY- (V29965) (SPEC BACP30M4C) (OPT BMP30M4C (V22277)) (OPT R30M4C (V25337)) (OPT AVM4C (V29965)) (OPT ITEM 170)	A-BA, BC-BF ,BM-B V,B X-BZ CB-CR ,CT,C Z,DB, DD,DF ,DK DN-DP ,DS- EA,E C-EH, EK-ES	1

32-21-21

ILLUSTRATED PARTS LIST
 01.101 Page 1064G
 Nov 01/05

FIG. & ITEM	PART NO.	AIRLINE PART NUMBER	NOMENCLATURE 1234567	EFF CODE	QTY PER ASSY
03-175	JMP4P25LY196	BEARING- (V40920) (SPEC BACB10AN4) (OPT MKP4FS428 (V21335)) (OPT MKP4G20 (V38443)) (OPT LLMKP4 (V38443)) (OPT MKP4 (V38443)) (OPT MKP4-2TS (V43991)) (OPT MKP4E6531 (V21335)) (OPT MKP4TT (V43991))	A-BA, BC-BF ,BM-B V,B X-BZ CB-CR ,CT,C Z,DB, DD,DF ,DK DN-DP ,DS- EA,E C-EH, EK-ES	1
180	69B81979-1	SHIELD	A-BA, BC-BF ,BM-B V,B X-BZ CB-CR ,CT,C Z,DB, DD,DF ,DK DN-DP ,DS- EA,E C-EH, EK-ES	2

32-21-21

 ILLUSTRATED PARTS LIST
 01.101 Page 1064H
 Nov 01/05

BOEING
 COMPONENT
 MAINTENANCE MANUAL

FIG. & ITEM	PART NO.	AIRLINE PART NUMBER	NOMENCLATURE 1234567	EFF CODE	QTY PER ASSY
03-185	65B80978-1	SHEAVE ASSY	A-BA, BC-BF ,BM-B V,B X-BZ CB-CR ,CT,C Z,DB, DD,DF ,DK DN-DP ,DS- EA,E C-EH, EK-ES	1
190	69B81362-2	INSERT	A-BA, BC-BF ,BM-B V,B X-BZ CB-CR ,CT,C Z,DB, DD,DF ,DK DN-DP ,DS- EA,E C-EH, EK-ES	1

32-21-21

ILLUSTRATED PARTS LIST
 01.101 Page 1064I
 Nov 01/05

FIG. & ITEM	PART NO.	AIRLINE PART NUMBER	NOMENCLATURE	EFF CODE	QTY PER ASSY
03-195	65B80978-2	SHEAVE-MOLDED	A-BA, BC-BF ,BM-B V,B X-BZ CB-CR ,CT,C Z,DB, DD,DF ,DK DN-DP ,DS- EA,E C-EH, EK-ES	1
197	BACR15BB4AD		...RIVET- (SIZE DETERMINE ON INST) (USED ON ITEM 60B)	A-BA, BC-BF ,BM-B V,B X-BZ CB-CR ,CT,C Z,DB, DD,DF ,DK DN-DP ,DS- EA,E C-EH, EK-ES	5

32-21-21

 ILLUSTRATED PARTS LIST
 01.101 Page 1064J
 Nov 01/05

BOEING
 COMPONENT
 MAINTENANCE MANUAL

FIG. & ITEM	PART NO.	AIRLINE PART NUMBER	NOMENCLATURE 1234567	EFF CODE	QTY PER ASSY
03- 198 199	257T4407-27 257T4407-29		DELETED ...SHIELD-PULLEY (REPLD BY ITEM 199A) (USED ON ITEM 60B)	A-BA, BC-BF ,BM-B V,B X-BZ CB-CR ,CT,C Z,DB, DD,DF ,DK DN-DP ,DS- EA,E C-EH, EK-ES	1
-199A -199B	257T4407-37 257T4407-41		DELETED ...SHIELD-PULLEY (OPT ITEM 199P) (USED ON ITEM 60B)	A-BA, BC-BF ,BM-B V,B X-BZ CB-CR ,CT,C Z,DB, DD,DF ,DK DN-DP ,DS- EA,E C-EH, EK-ES	1

32-21-21

ILLUSTRATED PARTS LIST
 01.101 Page 1064K
 Nov 01/05

FIG. & ITEM	PART NO.	AIRLINE PART NUMBER	NOMENCLATURE	EFF CODE	QTY PER ASSY
			1234567		
03-199P	257T4407-55		...KIT ASSY-SUBSTITUTE (OPT ITEM 199B) (USED ON ITEM 60B)	A-BA, BC-BF ,BM-B V,B X-BZ CB-CR ,CT,C Z,DB, DD,DF ,DK DN-DP ,DS- EA,E C-EH, EK-ES	1
199S	257T4407-27	ANGLE-SPRT	A-BA, BC-BF ,BM-B V,B X-BZ CB-CR ,CT,C Z,DB, DD,DF ,DK DN-DP ,DS- EA,E C-EH, EK-ES	1

32-21-21

 ILLUSTRATED PARTS LIST
 01.101 Page 1064L
 Nov 01/05

BOEING
 COMPONENT
 MAINTENANCE MANUAL

FIG. & ITEM	PART NO.	AIRLINE PART NUMBER	NOMENCLATURE	EFF CODE	QTY PER ASSY
			1234567		
03-199U	257T4407-37	SHIELD-PULLEY	A-BA, BC-BF ,BM-B V,B X-BZ CB-CR ,CT,C Z,DB, DD,DF ,DK DN-DP ,DS- EA,E C-EH, EK-ES	1
200 200A	257T4407-19 257T4407-23		DELETED ...BRACKET-SPRT (USED ON ITEM 60A) (PRE SB 32-66)	A-BA, BC-BF ,BM-B V,B X-BZ CB-CR ,CT,C Z,DB, DD,DF ,DK DN-DP ,DS- EA,E C-EH, EK-ES	1

32-21-21

ILLUSTRATED PARTS LIST
 01.101 Page 1064M
 Nov 01/05

FIG. & ITEM	PART NO.	AIRLINE PART NUMBER	NOMENCLATURE	EFF CODE	QTY PER ASSY
			1234567		
03- -200B	257T4407-33		...BRACKET-SPRT (USED ON ITEM 60B) (POST SB 32-66)	A-BA, BC-BF ,BM-B V,B X-BZ CB-CR ,CT,C Z,DB, DD,DF ,DK DN-DP ,DS- EA,E C-EH, EK-ES	1
205 205A	257T4407-5 257T4407-39		DELETED ...BRACKET-SPRT	A-BA, BC-BF ,BM-B V,B X-BZ CB-CR ,CT,C Z,DB, DD,DF ,DK DN-DP ,DS- EA,E C-EH, EK-ES	1

32-21-21

 ILLUSTRATED PARTS LIST
 01.101 Page 1064N
 Nov 01/05

BOEING
 COMPONENT
 MAINTENANCE MANUAL

FIG. & ITEM	PART NO.	AIRLINE PART NUMBER	NOMENCLATURE	EFF CODE	QTY PER ASSY
			1234567		
03- 210 210A	257T4407-18 257T4407-22		DELETED ..BRACKET ASSY- (USED ON ITEM 55) (PRE SB 32-66)	A-BA, BC-BF ,BM-B V,B X-BZ CB-CR ,CT,C Z,DB, DD,DF ,DK DN-DP ,DS- EA,E C-EH, EK-ES	1
-210B	257T4407-32		..BRACKET ASSY- (USED ON ITEM 55A) (POST SB 32-66)	A-BA, BC-BF ,BM-B V,B X-BZ CB-CR ,CT,C Z,DB, DD,DF ,DK DN-DP ,DS- EA,E C-EH, EK-ES	1
			ATTACHING PARTS		

32-21-21

ILLUSTRATED PARTS LIST
 01.101 Page 10640
 Nov 01/05

FIG. & ITEM	PART NO.	AIRLINE PART NUMBER	NOMENCLATURE	EFF CODE	QTY PER ASSY
03-215	BACB30NF4-9		..BOLT	A-BA, BC-BF ,BM-B V,B X-BZ CB-CR ,CT,C Z,DB, DD,DF ,DK DN-DP ,DS- EA,E C-EH, EK-ES	1
220	AN960PD416		..WASHER	A-BA, BC-BF ,BM-B V,B X-BZ CB-CR ,CT,C Z,DB, DD,DF ,DK DN-DP ,DS- EA,E C-EH, EK-ES	1

32-21-21

 ILLUSTRATED PARTS LIST
 01.101 Page 1064P
 Nov 01/05

BOEING
 COMPONENT
 MAINTENANCE MANUAL

FIG. & ITEM	PART NO.	AIRLINE PART NUMBER	NOMENCLATURE	EFF CODE	QTY PER ASSY
03-225	BACN10JC4		1234567 ..NUT	A-BA, BC-BF ,BM-B V,B X-BZ CB-CR ,CT,C Z,DB, DD,DF ,DK DN-DP ,DS- EA,E C-EH, EK-ES	1
230	BACR15BB4AD		-----*----- ...RIVET- (SIZE DETERMINE ON INST)	A-BA, BC-BF ,BM-B V,B X-BZ CB-CR ,CT,C Z,DB, DD,DF ,DK DN-DP ,DS- EA,E C-EH, EK-ES	6

32-21-21

ILLUSTRATED PARTS LIST
 01.101 Page 1064Q
 Nov 01/05

FIG. & ITEM	PART NO.	AIRLINE PART NUMBER	NOMENCLATURE	EFF CODE	QTY PER ASSY
			1234567		
03- 235 235A	257T4407-15 257T4407-25		DELETED ...COVER	A-BA, BC-BF ,BM-B V,B X-BZ CB-CR ,CT,C Z,DB, DD,DF ,DK DN-DP ,DS- EA,E C-EH, EK-ES	1
240	BACR15BA5KE		...RIVET- (SIZE DETERMINE ON INST)	A-BA, BC-BF ,BM-B V,B X-BZ CB-CR ,CT,C Z,DB, DD,DF ,DK DN-DP ,DS- EA,E C-EH, EK-ES	1

32-21-21

 ILLUSTRATED PARTS LIST
 01.101 Page 1064R
 Nov 01/05

BOEING
 COMPONENT
 MAINTENANCE MANUAL

FIG. & ITEM	PART NO.	AIRLINE PART NUMBER	NOMENCLATURE	EFF CODE	QTY PER ASSY
			1234567		
03-245	BACR15FT5KE		...RIVET- (SIZE DETERMINE ON INST)	A-BA, BC-BF ,BM-B V,B X-BZ CB-CR ,CT,C Z,DB, DD,DF ,DK DN-DP ,DS- EA,E C-EH, EK-ES	9
250	257T4407-14		...GUSSET	A-BA, BC-BF ,BM-B V,B X-BZ CB-CR ,CT,C Z,DB, DD,DF ,DK DN-DP ,DS- EA,E C-EH, EK-ES	1

32-21-21

ILLUSTRATED PARTS LIST
 01.101 Page 1064S
 Nov 01/05

FIG. & ITEM	PART NO.	AIRLINE PART NUMBER	NOMENCLATURE	EFF CODE	QTY PER ASSY
03-255	257T4407-4		1234567 ...GUSSET	A-BA, BC-BF ,BM-B V,B X-BZ CB-CR ,CT,C Z,DB, DD,DF ,DK DN-DP ,DS- EA,E C-EH, EK-ES	1
260 260A	BACB30NX5K HL12VAZ5-4		DELETED ...BOLT- (V56878) (SPEC BACB30NX5K4) (OPT HL12VAZ5-4 (V73197)) (OPT HL12VAZ5-4 (V92215)) (OPT HL12VAZ5-4 (V97928)) (OPT L802-5K4 (V06725)) (OPT HL12-4 (V06725)) (OPT HL12VAZ5-4 (V97928)) (SIZE DETERMINE ON INST)	A-BA, BC-BF ,BM-B V,B X-BZ CB-CR ,CT,C Z,DB, DD,DF ,DK DN-DP ,DS- EA,E C-EH, EK-ES	2

32-21-21

 ILLUSTRATED PARTS LIST
 01.101 Page 1064T
 Nov 01/05

BOEING
 COMPONENT
 MAINTENANCE MANUAL

FIG. & ITEM	PART NO.	AIRLINE PART NUMBER	NOMENCLATURE 1234567	EFF CODE	QTY PER ASSY
03-265	HL1187-5		...COLLAR- (V73197) (SPEC BACC30X5) (OPT HL87-5 (V73197)) (OPT HL87-5 (V92215)) (OPT HL86PB5 (V73197)) (OPT HL86PB5 (V56878)) (OPT HL86PB5 (V92215)) (OPT HL1187-5 (V56878)) (OPT HL1187-5 (V92215)) (OPT HL87-5 (V56878)) (OPT HL1187-5 (V5M902))	A-BA, BC-BF ,BM-B V,B X-BZ CB-CR ,CT,C Z,DB, DD,DF ,DK DN-DP ,DS- EA,E C-EH, EK-ES	2
270 275	257T4407-12 BACB30NF4-11		DELETED ...BOLT	A-BA, BC-BF ,BM-B V,B X-BZ CB-CR ,CT,C Z,DB, DD,DF ,DK DN-DP ,DS- EA,E C-EH, EK-ES	1

32-21-21

ILLUSTRATED PARTS LIST
 01.101 Page 1064U
 Nov 01/05

FIG. & ITEM	PART NO.	AIRLINE PART NUMBER	NOMENCLATURE	EFF CODE	QTY PER ASSY
03-280	AN960PD416		...WASHER	A-BA, BC-BF ,BM-B V,B X-BZ CB-CR ,CT,C Z,DB, DD,DF ,DK DN-DP ,DS- EA,E C-EH, EK-ES	1
285	BACN10JC4		...NUT	A-BA, BC-BF ,BM-B V,B X-BZ CB-CR ,CT,C Z,DB, DD,DF ,DK DN-DP ,DS- EA,E C-EH, EK-ES	1

32-21-21

 ILLUSTRATED PARTS LIST
 01.101 Page 1064V
 Nov 01/05

BOEING
 COMPONENT
 MAINTENANCE MANUAL

FIG. & ITEM	PART NO.	AIRLINE PART NUMBER	NOMENCLATURE	EFF CODE	QTY PER ASSY
03-290	257T4407-10		1234567 ...BRACE-SIDE	A-BA, BC-BF ,BM-B V,B X-BZ CB-CR ,CT,C Z,DB, DD,DF ,DK DN-DP ,DS- EA,E C-EH, EK-ES	1
295	NAS623-3-10		...SCREW	A-BA, BC-BF ,BM-B V,B X-BZ CB-CR ,CT,C Z,DB, DD,DF ,DK DN-DP ,DS- EA,E C-EH, EK-ES	5

32-21-21

ILLUSTRATED PARTS LIST
 01.101 Page 1064W
 Nov 01/05

FIG. & ITEM	PART NO.	AIRLINE PART NUMBER	NOMENCLATURE 1234567	EFF CODE	QTY PER ASSY
03-300	NAS42DD6-31		...SPACER	A-BA, BC-BF ,BM-B V,B X-BZ CB-CR ,CT,C Z,DB, DD,DF ,DK DN-DP ,DS- EA,E C-EH, EK-ES	2
305	AN960PD10		...WASHER	A-BA, BC-BF ,BM-B V,B X-BZ CB-CR ,CT,C Z,DB, DD,DF ,DK DN-DP ,DS- EA,E C-EH, EK-ES	5
310	H10-3BAC		...NUT- (V15653) (SPEC BACN10JC3) (OPT NS202101-02 (V80539)) (OPT RMLH9075-3W (V72962)) (OPT T6S1032J (V71087)) (OPT VN303A02 (V92215)) (OPT 96-02 (V80539)) (OPT BRH10A3 (V52828))	A-BA, BC-BF ,BM-B V,B X-BZ CB-CR ,CT,C Z,DB, DD,DF ,DK DN-DP ,DS- EA,E C-EH, EK-ES	5

32-21-21

 ILLUSTRATED PARTS LIST
 01.101 Page 1064X
 Nov 01/05

BOEING
 COMPONENT
 MAINTENANCE MANUAL

FIG. & ITEM	PART NO.	AIRLINE PART NUMBER	NOMENCLATURE 1234567	EFF CODE	QTY PER ASSY
03-315	257T4408-1		...GUARD	A-BA, BC-BF ,BM-B V,B X-BZ CB-CR ,CT,C Z,DB, DD,DF ,DK DN-DP ,DS- EA,E C-EH, EK-ES	1
320	65B80977-1		...PULLEY ASSY- (OPT ITEM 320A)	A-BA, BC-BF ,BM-B V,B X-BZ CB-CR ,CT,C Z,DB, DD,DF ,DK DN-DP ,DS- EA,E C-EH, EK-ES	1
-320A	AVS4CM		...PULLEY- (V29965) (SPEC BACP30M4C) (OPT BMP30M4C (V22277)) (OPT R30M4C (V25337)) (OPT AVM4C (V29965)) (OPT ITEM 320)	A-BA, BC-BF ,BM-B V,B X-BZ CB-CR ,CT,C Z,DB, DD,DF ,DK DN-DP ,DS- EA,E C-EH, EK-ES	1

32-21-21

ILLUSTRATED PARTS LIST
 01.101 Page 1064Y
 Nov 01/05

FIG. & ITEM	PART NO.	AIRLINE PART NUMBER	NOMENCLATURE	EFF CODE	QTY PER ASSY
03-325	JMP4P25LY196		1234567BEARING- (V40920) (SPEC BACB10AN4) (OPT MKP4FS428 (V21335)) (OPT MKP4G20 (V38443)) (OPT LLMKP4 (V38443)) (OPT MKP4 (V38443)) (OPT MKP4-2TS (V43991)) (OPT MKP4E6531 (V21335)) (OPT MKP4TT (V43991))	A-BA, BC-BF ,BM-B V,B X-BZ CB-CR ,CT,C Z,DB, DD,DF ,DK DN-DP ,DS- EA,E C-EH, EK-ES	1
330	69B81979-1	SHIELD	A-BA, BC-BF ,BM-B V,B X-BZ CB-CR ,CT,C Z,DB, DD,DF ,DK DN-DP ,DS- EA,E C-EH, EK-ES	2

32-21-21

 ILLUSTRATED PARTS LIST
 01.101 Page 1064Z
 Nov 01/05

BOEING
 COMPONENT
 MAINTENANCE MANUAL

FIG. & ITEM	PART NO.	AIRLINE PART NUMBER	NOMENCLATURE 1234567	EFF CODE	QTY PER ASSY
03-335	65B80978-1	SHEAVE ASSY	A-BA, BC-BF ,BM-B V,B X-BZ CB-CR ,CT,C Z,DB, DD,DF ,DK DN-DP ,DS- EA,E C-EH, EK-ES	1
340	69B81362-2	INSERT	A-BA, BC-BF ,BM-B V,B X-BZ CB-CR ,CT,C Z,DB, DD,DF ,DK DN-DP ,DS- EA,E C-EH, EK-ES	1

32-21-21

ILLUSTRATED PARTS LIST
 01.101 Page 1065
 Nov 01/05

FIG. & ITEM	PART NO.	AIRLINE PART NUMBER	NOMENCLATURE	EFF CODE	QTY PER ASSY
03-345	65B80978-2	SHEAVE-MOLDED	A-BA, BC-BF ,BM-B V,B X-BZ CB-CR ,CT,C Z,DB, DD,DF ,DK DN-DP ,DS- EA,E C-EH, EK-ES	1
347	BACR15BB4AD		...RIVET- (SIZE DETERMINE ON INST) (USED ON ITEM 210B)	A-BA, BC-BF ,BM-B V,B X-BZ CB-CR ,CT,C Z,DB, DD,DF ,DK DN-DP ,DS- EA,E C-EH, EK-ES	5

32-21-21

 ILLUSTRATED PARTS LIST
 01.101 Page 1066
 Nov 01/05

BOEING
 COMPONENT
 MAINTENANCE MANUAL

FIG. & ITEM	PART NO.	AIRLINE PART NUMBER	NOMENCLATURE	EFF CODE	QTY PER ASSY
			1234567		
03- 348 349	257T4407-28 257T4407-30		DELETED ...SHIELD-PULLEY (REPLD BY ITEM 349A) (USED ON ITEM 210B)	A-BA, BC-BF ,BM-B V,B X-BZ CB-CR ,CT,C Z,DB, DD,DF ,DK DN-DP ,DS- EA,E C-EH, EK-ES	1
-349A -349B	257T4407-38 257T4407-42		DELETED ...SHIELD-PULLEY (OPT ITEM 349P) (USED ON ITEM 210B)	A-BA, BC-BF ,BM-B V,B X-BZ CB-CR ,CT,C Z,DB, DD,DF ,DK DN-DP ,DS- EA,E C-EH, EK-ES	1

32-21-21

ILLUSTRATED PARTS LIST
 01.101 Page 1066A
 Nov 01/05

FIG. & ITEM	PART NO.	AIRLINE PART NUMBER	NOMENCLATURE	EFF CODE	QTY PER ASSY
			1234567		
03-349P	257T4407-54		...KIT ASSY-SUBSTITUTE (OPT ITEM 349B) (USED ON ITEM 210B)	A-BA, BC-BF ,BM-B V,B X-BZ CB-CR ,CT,C Z,DB, DD,DF ,DK DN-DP ,DS- EA,E C-EH, EK-ES	1
349S	257T4407-28	ANGLE-SPRT	A-BA, BC-BF ,BM-B V,B X-BZ CB-CR ,CT,C Z,DB, DD,DF ,DK DN-DP ,DS- EA,E C-EH, EK-ES	1

32-21-21

 ILLUSTRATED PARTS LIST
 01.101 Page 1066B
 Nov 01/05

BOEING
 COMPONENT
 MAINTENANCE MANUAL

FIG. & ITEM	PART NO.	AIRLINE PART NUMBER	NOMENCLATURE	EFF CODE	QTY PER ASSY
03-349U	257T4407-38		1234567SHIELD-PULLEY	A-BA, BC-BF ,BM-B V,B X-BZ CB-CR ,CT,C Z,DB, DD,DF ,DK DN-DP ,DS- EA,E C-EH, EK-ES	1
350 350A	257T4407-20 257T4407-24		DELETED ...BRACKET-SPRT (USED ON ITEM 210A)	A-BA, BC-BF ,BM-B V,B X-BZ CB-CR ,CT,C Z,DB, DD,DF ,DK DN-DP ,DS- EA,E C-EH, EK-ES	1

32-21-21

ILLUSTRATED PARTS LIST
 01.101 Page 1066C
 Nov 01/05

FIG. & ITEM	PART NO.	AIRLINE PART NUMBER	NOMENCLATURE	EFF CODE	QTY PER ASSY
			1234567		
03- -350B	257T4407-34		...BRACKET-SPRT (USED ON ITEM 210B)	A-BA, BC-BF ,BM-B V,B X-BZ CB-CR ,CT,C Z,DB, DD,DF ,DK DN-DP ,DS- EA,E C-EH, EK-ES	1
355 355A	257T4407-6 257T4407-40		DELETED ...BRACKET-SPRT	A-BA, BC-BF ,BM-B V,B X-BZ CB-CR ,CT,C Z,DB, DD,DF ,DK DN-DP ,DS- EA,E C-EH, EK-ES	1

32-21-21

 ILLUSTRATED PARTS LIST
 01.101 Page 1066D
 Nov 01/05

BOEING
 COMPONENT
 MAINTENANCE MANUAL

FIG. & ITEM	PART NO.	AIRLINE PART NUMBER	NOMENCLATURE 1234567	EFF CODE	QTY PER ASSY
03- -360	257T4300-1		.CAM INSTL-QUADRANT AND LOCKOUT (LIMITED)	A-BA, BC-BF ,BM-B V,B X-BZ CB-CR ,CT,C Z,DB, DD,DF ,DK DN-DP ,DS- EA,E C-EH, EK-ES	1
-361	257T4300-2		.CAM INSTL-QUADRANT AND LOCKOUT (LIMITED)		1
-361A	257T4300-3		.CAM INSTL-QUADRANT AND LOCKOUT (LIMITED)		1
-362	257T4300-5001		..CAM INSTL-(LIMITED)	A-BA, BC-BF ,BM-B V,B X-BZ CB-CR ,CT,C Z,DB, DD,DF ,DK DN-DP ,DS- EA,E C-EH, EK-ES	1

32-21-21

ILLUSTRATED PARTS LIST
 01.1 Page 1066E
 Nov 01/05

FIG. & ITEM	PART NO.	AIRLINE PART NUMBER	NOMENCLATURE	EFF CODE	QTY PER ASSY
03- -362A	257T4300-5002		1234567 ..CAM INSTL-(LIMITED)	A-BA, BC-BF ,BM-B V,B X-BZ CB-CR ,CT,C Z,DB, DD,DF ,DK DN-DP ,DS- EA,E C-EH, EK-ES	1
-362B	257T4300-5003		..CAM INSTL-(LIMITED)	A-BA, BC-BF ,BM-B V,B X-BZ CB-CR ,CT,C Z,DB, DD,DF ,DK DN-DP ,DS- EA,E C-EH, EK-ES	1

32-21-21

 ILLUSTRATED PARTS LIST
 01.101 Page 1066F
 Nov 01/05

BOEING
 COMPONENT
 MAINTENANCE MANUAL

FIG. & ITEM	PART NO.	AIRLINE PART NUMBER	NOMENCLATURE 1234567	EFF CODE	QTY PER ASSY
03- -362C	257T4300-5004		..CAM INSTL-(LIMITED)	A-BA, BC-BF ,BM-B V,B X-BZ CB-CR ,CT,C Z,DB, DD,DF ,DK DN-DP ,DS- EA,E C-EH, EK-ES	1
-362D	257T4300-5005		..CAM INSTL-(LIMITED)	A-BA, BC-BF ,BM-B V,B X-BZ CB-CR ,CT,C Z,DB, DD,DF ,DK DN-DP ,DS- EA,E C-EH, EK-ES	1
-362E	257T4300-5006		..CAM INSTL-(LIMITED)	A-BA, BC-BF ,BM-B V,B X-BZ CB-CR ,CT,C Z,DB, DD,DF ,DK DN-DP ,DS- EA,E C-EH, EK-ES	1

32-21-21

ILLUSTRATED PARTS LIST
 01.101 Page 1066G
 Nov 01/05

FIG. & ITEM	PART NO.	AIRLINE PART NUMBER	NOMENCLATURE	EFF CODE	QTY PER ASSY
			1234567		
03- -362F	257T4300-5007		..CAM INSTL- (LIMITED)	A-BA, BC-BF ,BM-B V,B X-BZ CB-CR ,CT,C Z,DB, DD,DF ,DK DN-DP ,DS- EA,E C-EH, EK-ES	1
365	257T4335-1		...COVER ASSY	A-BA, BC-BF ,BM-B V,B X-BZ CB-CR ,CT,C Z,DB, DD,DF ,DK DN-DP ,DS- EA,E C-EH, EK-ES	1
			ATTACHING PARTS		

32-21-21

 ILLUSTRATED PARTS LIST
 01.101 Page 1066H
 Nov 01/05

BOEING
 COMPONENT
 MAINTENANCE MANUAL

FIG. & ITEM	PART NO.	AIRLINE PART NUMBER	NOMENCLATURE	EFF CODE	QTY PER ASSY
03-370	NAS514P1032-14		1234567 ...SCREW	A-BA, BC-BF ,BM-B V,B X-BZ CB-CR ,CT,C Z,DB, DD,DF ,DK DN-DP ,DS- EA,E C-EH, EK-ES	12
375	BACG20L3		-----*-----GROMMET	A-BA, BC-BF ,BM-B V,B X-BZ CB-CR ,CT,C Z,DB, DD,DF ,DK DN-DP ,DS- EA,E C-EH, EK-ES	12

32-21-21

ILLUSTRATED PARTS LIST
 01.101 Page 1066I
 Nov 01/05

FIG. & ITEM	PART NO.	AIRLINE PART NUMBER	NOMENCLATURE	EFF CODE	QTY PER ASSY
03-380	257T4335-2		1234567COVER	A-BA, BC-BF ,BM-B V,B X-BZ CB-CR ,CT,C Z,DB, DD,DF ,DK DN-DP ,DS- EA,E C-EH, EK-ES	1
390	257T4318-4		...DRUM AND LOCKOUT ASSY- (USED ON ITEM 362) (REF CMM 32-34-16)	A-BA, BC-BF ,BM-B V,B X-BZ CB-CR ,CT,C Z,DB, DD,DF ,DK DN-DP ,DS- EA,E C-EH, EK-ES	1

32-21-21

 ILLUSTRATED PARTS LIST
 01.101 Page 1066J
 Nov 01/05


BOEING
 COMPONENT
 MAINTENANCE MANUAL

FIG. & ITEM	PART NO.	AIRLINE PART NUMBER	NOMENCLATURE 1234567	EFF CODE	QTY PER ASSY
03-390A	257T4318-5		...DRUM AND LOCKOUT ASSY- (USED ON ITEM 362A) (REF CMM 32-34-16)	A-BA, BC-BF ,BM-B V,B X-BZ CB-CR ,CT,C Z,DB, DD,DF ,DK DN-DP ,DS- EA,E C-EH, EK-ES	1
-390B	257T4318-6		...DRUM AND LOCKOUT ASSY- (USED ON ITEM 362B) (REF CMM 32-34-16)	A-BA, BC-BF ,BM-B V,B X-BZ CB-CR ,CT,C Z,DB, DD,DF ,DK DN-DP ,DS- EA,E C-EH, EK-ES	1
-390C	257T4318-7		...DRUM AND LOCKOUT ASSY- (REWORK) (USED ON ITEM 362C) (REF CMM 32-34-16)	A-BA, BC-BF ,BM-B V,B X-BZ CB-CR ,CT,C Z,DB, DD,DF ,DK DN-DP ,DS- EA,E C-EH, EK-ES	1

32-21-21

 ILLUSTRATED PARTS LIST
 01.101 Page 1066K
 Nov 01/05

FIG. & ITEM	PART NO.	AIRLINE PART NUMBER	NOMENCLATURE 1234567	EFF CODE	QTY PER ASSY
03- -390D	257T4318-8		...DRUM AND LOCKOUT ASSY- (USED ON ITEM 362D) (REF CMM 32-34-16)	A-BA, BC-BF ,BM-B V,B X-BZ CB-CR ,CT,C Z,DB, DD,DF ,DK DN-DP ,DS- EA,E C-EH, EK-ES	1
-390E	257T4318-9		...DRUM AND LOCKOUT ASSY- (USED ON ITEM 362E) (REF CMM 32-34-16)	A-BA, BC-BF ,BM-B V,B X-BZ CB-CR ,CT,C Z,DB, DD,DF ,DK DN-DP ,DS- EA,E C-EH, EK-ES	1
-390F	257T4318-10		...DRUM AND LOCKOUT ASSY- (USED ON ITEM 362F) (REF CMM 32-34-16)	A-BA, BC-BF ,BM-B V,B X-BZ CB-CR ,CT,C Z,DB, DD,DF ,DK DN-DP ,DS- EA,E C-EH, EK-ES	1

32-21-21

 ILLUSTRATED PARTS LIST
 01.101 Page 1066L
 Nov 01/05


BOEING
 COMPONENT
 MAINTENANCE MANUAL

FIG. & ITEM	PART NO.	AIRLINE PART NUMBER	NOMENCLATURE 1234567	EFF CODE	QTY PER ASSY
03- -390G	257T4318-11		...DRUM AND LOCKOUT ASSY- (USED ON ITEM 361A) (CMM 32-34-16)		1
-390H	015T1626-6		...DRUM AND LOCKOUT ASSY- (POST SB 32-0166) (CMM 32-34-16)		1
-390J	015T1626-7		...DRUM AND LOCKOUT ASSY- (POST SB 32-0166) (CMM 32-34-16)		1
-390K	015T1626-8		...DRUM AND LOCKOUT ASSY- (POST SB 32-0166) (CMM 32-34-16)		1
-390L	015T1626-9		...DRUM AND LOCKOUT ASSY- (POST SB 32-0166) (CMM 32-34-16)		1
395 395A	BACB30NF6-26 BACB30NF6-28		DELETED ...BOLT	A-BA, BC-BF ,BM-B V,B X-BZ CB-CR ,CT,C Z,DB, DD,DF ,DK DN-DP ,DS- EA,E C-EH, EK-ES	2

32-21-21

 ILLUSTRATED PARTS LIST
 01.1 Page 1066M
 Nov 01/05

FIG. & ITEM	PART NO.	AIRLINE PART NUMBER	NOMENCLATURE 1234567	EFF CODE	QTY PER ASSY
03-400	BACB30NF6-14		...BOLT	A-BA, BC-BF ,BM-B V,B X-BZ CB-CR ,CT,C Z,DB, DD,DF ,DK DN-DP ,DS- EA,E C-EH, EK-ES	2
405	AN960PD616		...WASHER- (USED ON ITEMS 362, 362A 362B, 362C, 362D, 362E)	A-BA, BC-BF ,BM-B V,B X-BZ CB-CR ,CT,C Z,DB, DD,DF ,DK DN-DP ,DS- EA,E C-EH, EK-ES	4
-405A	NAS1149D0663J		...WASHER- (USED ON ITEM 362F)	A-BA, BC-BF ,BM-B V,B X-BZ CB-CR ,CT,C Z,DB, DD,DF ,DK DN-DP ,DS- EA,E C-EH, EK-ES	4

32-21-21

 ILLUSTRATED PARTS LIST
 01.101 Page 1066N
 Nov 01/05

BOEING
 COMPONENT
 MAINTENANCE MANUAL

FIG. & ITEM	PART NO.	AIRLINE PART NUMBER	NOMENCLATURE	EFF CODE	QTY PER ASSY
03-410	BACN10JC6		1234567 ...NUT	A-BA, BC-BF ,BM-B V,B X-BZ CB-CR ,CT,C Z,DB, DD,DF ,DK DN-DP ,DS- EA,E C-EH, EK-ES	4
-415	257T4400-1		-----*----- .MECHANISM INSTL-SUMMING (USED ON ITEMS 5, 5B, 5E, 5F)	A-BA, BC-BF ,BM-B V,B X-BZ CB-CR ,CT,C Z,DB, DD,DF ,DK DN-DP ,DS- EA,E C-EH, EK-ES	1

32-21-21

ILLUSTRATED PARTS LIST
 01.101 Page 10660
 Nov 01/05

FIG. & ITEM	PART NO.	AIRLINE PART NUMBER	NOMENCLATURE 1234567	EFF CODE	QTY PER ASSY
03- -415A	257T4400-2		.MECHANISM INSTL-SUMMING (USED ON ITEM 5H)	A-BA, BC-BF ,BM-B V,B X-BZ CB-CR ,CT,C Z,DB, DD,DF ,DK DN-DP ,DS- EA,E C-EH, EK-ES	1
-415B	257T4400-3		.MECHANISM INSTL-SUMMING (USED ON ITEMS 5G, 5J)	A-BA, BC-BF ,BM-B V,B X-BZ CB-CR ,CT,C Z,DB, DD,DF ,DK DN-DP ,DS- EA,E C-EH, EK-ES	1
-415C	257T4400-4		.MECHANISM INSTL-SUMMING (USED ON ITEM 5K)	A-BA, BC-BF ,BM-B V,B X-BZ CB-CR ,CT,C Z,DB, DD,DF ,DK DN-DP ,DS- EA,E C-EH, EK-ES	1

32-21-21

 ILLUSTRATED PARTS LIST
 01.101 Page 1066P
 Nov 01/05

BOEING
 COMPONENT
 MAINTENANCE MANUAL

FIG. & ITEM	PART NO.	AIRLINE PART NUMBER	NOMENCLATURE	EFF CODE	QTY PER ASSY
03-415D	257T4400-5		.MECHANISM INSTL-SUMMING (USED ON ITEMS 5L,5M)	A-BA, BC-BF ,BM-B V,B X-BZ CB-CR ,CT,C Z,DB, DD,DF ,DK DN-DP ,DS- EA,E C-EH, EK-ES	1
-415E	257T4400-6		.MECHANISM INSTL-SUMMING (USED ON ITEM 5N)	A-BA, BC-BF ,BM-B V,B X-BZ CB-CR ,CT,C Z,DB, DD,DF ,DK DN-DP ,DS- EA,E C-EH, EK-ES	1
-415F	257T4400-8		.MECHANISM INSTL-SUMMING (USED ON ITEMS 5P, 5Q)	A-BA, BC-BF ,BM-B V,B X-BZ CB-CR ,CT,C Z,DB, DD,DF ,DK DN-DP ,DS- EA,E C-EH, EK-ES	1

32-21-21

ILLUSTRATED PARTS LIST
 01.101 Page 1066Q
 Nov 01/05

FIG. & ITEM	PART NO.	AIRLINE PART NUMBER	NOMENCLATURE	EFF CODE	QTY PER ASSY
03- -415G	257T4400-9		1234567 .MECHANISM INSTL-SUMMING (USED ON ITEM 5R)	A-BA, BC-BF ,BM-B V,B X-BZ CB-CR ,CT,C Z,DB, DD,DF ,DK DN-DP ,DS- EA,E C-EH, EK-ES	1
-415H 420	257T4400-10 257T4404-3		DELETED ..COVER ASSY- (OPT ITEM 420B) (USED ON ITEMS 415, 415B)	A-BA, BC-BF ,BM-B V,B X-BZ CB-CR ,CT,C Z,DB, DD,DF ,DK DN-DP ,DS- EA,E C-EH, EK-ES	1

32-21-21

 ILLUSTRATED PARTS LIST
 01.101 Page 1066R
 Nov 01/05

BOEING
 COMPONENT
 MAINTENANCE MANUAL

FIG. & ITEM	PART NO.	AIRLINE PART NUMBER	NOMENCLATURE	EFF CODE	QTY PER ASSY
03- -420A	257T4404-4		1234567 ..COVER ASSY- (OPT ITEM 420C) (USED ON ITEMS 415A 415C)	A-BA, BC-BF ,BM-B V,B X-BZ CB-CR ,CT,C Z,DB, DD,DF ,DK DN-DP ,DS- EA,E C-EH, EK-ES	1
-420B	257T4404-5		..COVER ASSY- (OPT ITEM 420) (USED ON ITEMS 415 415B)	A-BA, BC-BF ,BM-B V,B X-BZ CB-CR ,CT,C Z,DB, DD,DF ,DK DN-DP ,DS- EA,E C-EH, EK-ES	1

32-21-21

ILLUSTRATED PARTS LIST
 01.101 Page 1066S
 Nov 01/05

FIG. & ITEM	PART NO.	AIRLINE PART NUMBER	NOMENCLATURE	EFF CODE	QTY PER ASSY
03- -420C	257T4404-6		1234567 ..COVER ASSY- (OPT ITEM 420A) (USED ON ITEMS 415A 415BC)	A-BA, BC-BF ,BM-B V,B X-BZ CB-CR ,CT,C Z,DB, DD,DF ,DK DN-DP ,DS- EA,E C-EH, EK-ES	1
-420D	257T4404-8		..COVER ASSY- (USED ON ITEMS 415D, 415F)	A-BA, BC-BF ,BM-B V,B X-BZ CB-CR ,CT,C Z,DB, DD,DF ,DK DN-DP ,DS- EA,E C-EH, EK-ES	1

32-21-21

 ILLUSTRATED PARTS LIST
 01.101 Page 1066T
 Nov 01/05

BOEING
 COMPONENT
 MAINTENANCE MANUAL

FIG. & ITEM	PART NO.	AIRLINE PART NUMBER	NOMENCLATURE	EFF CODE	QTY PER ASSY
03-420E	257T4404-9		1234567 ..COVER ASSY- (USED ON ITEM 415E)	A-BA, BC-BF ,BM-B V,B X-BZ CB-CR ,CT,C Z,DB, DD,DF ,DK DN-DP ,DS- EA,E C-EH, EK-ES	1
-420F	257T4404-10		..COVER ASSY- (USED ON ITEMS 415G, 415H)	A-BA, BC-BF ,BM-B V,B X-BZ CB-CR ,CT,C Z,DB, DD,DF ,DK DN-DP ,DS- EA,E C-EH, EK-ES	1

32-21-21

ILLUSTRATED PARTS LIST
 01.101 Page 1066U
 Nov 01/05

FIG. & ITEM	PART NO.	AIRLINE PART NUMBER	NOMENCLATURE 1234567	EFF CODE	QTY PER ASSY
03-			ATTACHING PARTS		
423	NAS623-3-5		..SCREW		4
424	BACW10P68S		..WASHER		4
425	NAS514P1032-10		..SCREW	A-BA, BC-BF ,BM-B V,B X-BZ CB-CR ,CT,C Z,DB, DD,DF ,DK DN-DP ,DS- EA,E C-EH, EK-ES	14
426	HST10AG6-7		-----*----- ...BOLT- (VOPTK6) (SPEC BACB30VT6K7) (OPT HST10AG6-7 (V06725)) (OPT HST10AG6-7 (V56878)) (OPT HST10AG6-7 (V73197)) (USED ON ITEMS 420A 420C, 420E, 420F)	A-BA, BC-BF ,BM-B V,B X-BZ CB-CR ,CT,C Z,DB, DD,DF ,DK DN-DP ,DS- EA,E C-EH, EK-ES	2

32-21-21

 ILLUSTRATED PARTS LIST
 01.101 Page 1066V
 Nov 01/05

BOEING
 COMPONENT
 MAINTENANCE MANUAL

FIG. & ITEM	PART NO.	AIRLINE PART NUMBER	NOMENCLATURE	EFF CODE	QTY PER ASSY
			1234567		
03-427	AN960JD10L		...WASHER- (USED ON ITEMS 420A 420C, 420E)	A-BA, BC-BF ,BM-B V,B X-BZ CB-CR ,CT,C Z,DB, DD,DF ,DK DN-DP ,DS- EA,E C-EH, EK-ES	10
-427A	NAS1149D0332J		...WASHER- (USED ON ITEM 420F)	A-BA, BC-BF ,BM-B V,B X-BZ CB-CR ,CT,C Z,DB, DD,DF ,DK DN-DP ,DS- EA,E C-EH, EK-ES	10

32-21-21

ILLUSTRATED PARTS LIST
 01.101 Page 1066W
 Nov 01/05

FIG. & ITEM	PART NO.	AIRLINE PART NUMBER	NOMENCLATURE 1234567	EFF CODE	QTY PER ASSY
R 03-428	HST79CY6		...COLLAR- (V73197) (SPEC BACC30BL6) (OPT HST79-6 (V56878)) (OPT HST79-6 (V92215)) (OPT HST79-6 (V5M902)) (USED ON ITEMS 420A 420C, 420E, 420F)	A-BA, BC-BF ,BM-B V,B X-BZ CB-CR ,CT,C Z,DB, DD,DF ,DK DN-DP ,DS- EA,E C-EH, EK-ES	2
429	257T4409-1		...BOX-PIN (USED ON ITEMS 420A 420C, 420E)	A-BA, BC-BF ,BM-B V,B X-BZ CB-CR ,CT,C Z,DB, DD,DF ,DK DN-DP ,DS- EA,E C-EH, EK-ES	1
-429A	257T4409-4		...BOX-PIN (USED ON ITEM 420F)	A-BA, BC-BF ,BM-B V,B X-BZ CB-CR ,CT,C Z,DB, DD,DF ,DK DN-DP ,DS- EA,E C-EH, EK-ES	1

32-21-21

 ILLUSTRATED PARTS LIST
 01.101 Page 1066X
 Nov 01/05

BOEING
 COMPONENT
 MAINTENANCE MANUAL

FIG. & ITEM	PART NO.	AIRLINE PART NUMBER	NOMENCLATURE	EFF CODE	QTY PER ASSY
03-430	BACG20L3		1234567 ...GROMMET	A-BA, BC-BF ,BM-B V,B X-BZ CB-CR ,CT,C Z,DB, DD,DF ,DK DN-DP ,DS- EA,E C-EH, EK-ES	18
435	257T4404-2		...COVER	A-BA, BC-BF ,BM-B V,B X-BZ CB-CR ,CT,C Z,DB, DD,DF ,DK DN-DP ,DS- EA,E C-EH, EK-ES	1
-435A	257T4404-7		...COVER- (USED ON ITEMS 420D)	A-BA, BC-BF ,BM-B V,B X-BZ CB-CR ,CT,C Z,DB, DD,DF ,DK DN-DP ,DS- EA,E C-EH, EK-ES	1

32-21-21

ILLUSTRATED PARTS LIST
 01.101 Page 1066Y
 Nov 01/05

FIG. & ITEM	PART NO.	AIRLINE PART NUMBER	NOMENCLATURE 1234567	EFF CODE	QTY PER ASSY
03- -435B	257T4404-8		...COVER ASSY- (USED ON ITEMS 420E, 420F)	A-BA, BC-BF ,BM-B V,B X-BZ CB-CR ,CT,C Z,DB, DD,DF ,DK DN-DP ,DS- EA,E C-EH, EK-ES	1
437	257T4404-7		...COVER	A-BA, BC-BF ,BM-B V,B X-BZ CB-CR ,CT,C Z,DB, DD,DF ,DK DN-DP ,DS- EA,E C-EH, EK-ES	1
440	BAC27TCT0010		...PLACARD-NO STEP (USED ON ITEM 420D)	A-BA, BC-BF ,BM-B V,B X-BZ CB-CR ,CT,C Z,DB, DD,DF ,DK DN-DP ,DS- EA,E C-EH, EK-ES	1

32-21-21

 ILLUSTRATED PARTS LIST
 01.101 Page 1066Z
 Nov 01/05

BOEING
 COMPONENT
 MAINTENANCE MANUAL

FIG. & ITEM	PART NO.	AIRLINE PART NUMBER	NOMENCLATURE	EFF CODE	QTY PER ASSY
			1234567		
03-445	BAC27TCT0151		...PLACARD-INSTRUCTION (OPT ITEM 445A) (USED ON ITEM 420,420A)	A-BA, BC-BF ,BM-B V,B X-BZ CB-CR ,CT,C Z,DB, DD,DF ,DK DN-DP ,DS- EA,E C-EH, EK-ES	1
-445A	BAC27TCT0449		...PLACARD-INSTRUCTION (OPT ITEM 445) (USED ON ITEMS 420B 420C, 420D, 420E)	A-BA, BC-BF ,BM-B V,B X-BZ CB-CR ,CT,C Z,DB, DD,DF ,DK DN-DP ,DS- EA,E C-EH, EK-ES	1
-445B	BAC27TCT0449		...PLACARD-INSTRUCTION (USED ON ITEM 435B)	A-BA, BC-BF ,BM-B V,B X-BZ CB-CR ,CT,C Z,DB, DD,DF ,DK DN-DP ,DS- EA,E C-EH, EK-ES	1

32-21-21

ILLUSTRATED PARTS LIST
 01.101 Page 1067
 Nov 01/05

FIG. & ITEM	PART NO.	AIRLINE PART NUMBER	NOMENCLATURE 1234567	EFF CODE	QTY PER ASSY
03-450	BACB30NF4-17		..BOLT	A-BA, BC-BF ,BM-B V,B X-BZ CB-CR ,CT,C Z,DB, DD,DF ,DK DN-DP ,DS- EA,E C-EH, EK-ES	2
455	BACB30NF4-16		..BOLT	A-BA, BC-BF ,BM-B V,B X-BZ CB-CR ,CT,C Z,DB, DD,DF ,DK DN-DP ,DS- EA,E C-EH, EK-ES	2
460	AN96OPD416		..WASHER- (USED ON ITEMS 415, 415A 415B, 415C, 415E)	A-BA, BC-BF ,BM-B V,B X-BZ CB-CR ,CT,C Z,DB, DD,DF ,DK DN-DP ,DS- EA,E C-EH, EK-ES	4

32-21-21

ILLUSTRATED PARTS LIST

01.101 Page 1068

Nov 01/05

BOEING
 COMPONENT
 MAINTENANCE MANUAL

FIG. & ITEM	PART NO.	AIRLINE PART NUMBER	NOMENCLATURE	EFF CODE	QTY PER ASSY
03-460A	NAS1149D0463J		1234567 ..WASHER- (USED ON ITEMS 415D, 415F, 415G, 415H)	A-BA, BC-BF ,BM-B V,B X-BZ CB-CR ,CT,C Z,DB, DD,DF ,DK DN-DP ,DS- EA,E C-EH, EK-ES	4
465 465A	H10-4BAC BACN10JC4CD		DELETED ..NUT	A-BA, BC-BF ,BM-B V,B X-BZ CB-CR ,CT,C Z,DB, DD,DF ,DK DN-DP ,DS- EA,E C-EH, EK-ES	4

32-21-21

ILLUSTRATED PARTS LIST
 01.101 Page 1068A
 Nov 01/05

FIG. & ITEM	PART NO.	AIRLINE PART NUMBER	NOMENCLATURE	EFF CODE	QTY PER ASSY
03-470	65-35436-15		..RETAINER	A-BA, BC-BF ,BM-B V,B X-BZ CB-CR ,CT,C Z,DB, DD,DF ,DK DN-DP ,DS- EA,E C-EH, EK-ES	2
475	257T4401-1		..BRACKET ASSY-PULLEY	A-BA, BC-BF ,BM-B V,B X-BZ CB-CR ,CT,C Z,DB, DD,DF ,DK DN-DP ,DS- EA,E C-EH, EK-ES	2

32-21-21

 ILLUSTRATED PARTS LIST
 01.101 Page 1068B
 Nov 01/05

BOEING
 COMPONENT
 MAINTENANCE MANUAL

FIG. & ITEM	PART NO.	AIRLINE PART NUMBER	NOMENCLATURE 1234567	EFF CODE	QTY PER ASSY
03-480	LLDW4K2-1		...BEARING- (V38443) (SPEC BACB10CG4) (OPT GDW4K2TT (V43991)) (OPT GDW4K2FS428 (V21335)) (OPT DW4K2-1 (V38443)) (OPT GDW4K2SD610 (V83086)) (OPT ITEM 480A)	A-BA, BC-BF ,BM-B V,B X-BZ CB-CR ,CT,C Z,DB, DD,DF ,DK DN-DP ,DS- EA,E C-EH, EK-ES	1
-480A	SSMGDW4K2SD705		...BEARING- (V83086) (SPEC BACB10FY4) (OPT ACMGDW4K2A3908 (V21335)) (OPT ITEM 480)	A-BA, BC-BF ,BM-B V,B X-BZ CB-CR ,CT,C Z,DB, DD,DF ,DK DN-DP ,DS- EA,E C-EH, EK-ES	1

32-21-21

ILLUSTRATED PARTS LIST
 01.101 Page 1068C
 Nov 01/05

FIG. & ITEM	PART NO.	AIRLINE PART NUMBER	NOMENCLATURE 1234567	EFF CODE	QTY PER ASSY
03-485	2LPYE6-14		...BOLT- (V11815) (SPEC BACB30GP6-14) (OPT 2LPYE6-14 (V17446))	A-BA, BC-BF ,BM-B V,B X-BZ CB-CR ,CT,C Z,DB, DD,DF ,DK DN-DP ,DS- EA,E C-EH, EK-ES	2
490	NAS42DD6-31		...SPACER	A-BA, BC-BF ,BM-B V,B X-BZ CB-CR ,CT,C Z,DB, DD,DF ,DK DN-DP ,DS- EA,E C-EH, EK-ES	2
495	NAS1080D06		...COLLAR	A-BA, BC-BF ,BM-B V,B X-BZ CB-CR ,CT,C Z,DB, DD,DF ,DK DN-DP ,DS- EA,E C-EH, EK-ES	2

32-21-21

 ILLUSTRATED PARTS LIST
 01.101 Page 1068D
 Nov 01/05


BOEING
 COMPONENT
 MAINTENANCE MANUAL

FIG. & ITEM	PART NO.	AIRLINE PART NUMBER	NOMENCLATURE 1234567	EFF CODE	QTY PER ASSY
03-500	257T4401-2		...BRACKET	A-BA, BC-BF ,BM-B V,B X-BZ CB-CR ,CT,C Z,DB, DD,DF ,DK DN-DP ,DS- EA,E C-EH, EK-ES	1
505	65B80977-1		..PULLEY ASSY- (USED ON ITEMS 415, 415A, 415B, 415E, 415G)	A-BA, BC-BF ,BM-B V,B X-BZ CB-CR ,CT,C Z,DB, DD,DF ,DK DN-DP ,DS- EA,E C-EH, EK-ES	2
-505A	AVS4CM		..PULLEY- (V29965) (SPEC BACP30M4C) (OPT BMP30M4C (V22277)) (OPT R30M4C (V25337)) (OPT AVM4C (V29965)) (USED ON ITEMS 415D, 415F, 415H)	A-BA, BC-BF ,BM-B V,B X-BZ CB-CR ,CT,C Z,DB, DD,DF ,DK DN-DP ,DS- EA,E C-EH, EK-ES	2

32-21-21

 ILLUSTRATED PARTS LIST
 01.101 Page 1068E
 Nov 01/05

FIG. & ITEM	PART NO.	AIRLINE PART NUMBER	NOMENCLATURE 1234567	EFF CODE	QTY PER ASSY
03-510	JMP4P25LY196		...BEARING- (V40920) (SPEC BACB10AN4) (OPT MKP4FS428 (V21335)) (OPT MKP4G20 (V38443)) (OPT LLMKP4 (V38443)) (OPT MKP4 (V38443)) (OPT MKP4-2TS (V43991)) (OPT MKP4E6531 (V21335)) (OPT MKP4TT (V43991))	A-BA, BC-BF ,BM-B V,B X-BZ CB-CR ,CT,C Z,DB, DD,DF ,DK DN-DP ,DS- EA,E C-EH, EK-ES	1
515	69B81979-1		...SHIELD	A-BA, BC-BF ,BM-B V,B X-BZ CB-CR ,CT,C Z,DB, DD,DF ,DK DN-DP ,DS- EA,E C-EH, EK-ES	2

32-21-21

 ILLUSTRATED PARTS LIST
 01.101 Page 1068F
 Nov 01/05

BOEING
 COMPONENT
 MAINTENANCE MANUAL

FIG. & ITEM	PART NO.	AIRLINE PART NUMBER	NOMENCLATURE	EFF CODE	QTY PER ASSY
03-520	65B80978-1		1234567 ...SHEAVE ASSY	A-BA, BC-BF ,BM-B V,B X-BZ CB-CR ,CT,C Z,DB, DD,DF ,DK DN-DP ,DS- EA,E C-EH, EK-ES	1
525	69B81362-2	INSERT	A-BA, BC-BF ,BM-B V,B X-BZ CB-CR ,CT,C Z,DB, DD,DF ,DK DN-DP ,DS- EA,E C-EH, EK-ES	1

32-21-21

ILLUSTRATED PARTS LIST
 01.101 Page 1068G
 Nov 01/05

FIG. & ITEM	PART NO.	AIRLINE PART NUMBER	NOMENCLATURE	EFF CODE	QTY PER ASSY
			1234567		
03-530	65B80978-2	SHEAVE-MOLDED	A-BA, BC-BF ,BM-B V,B X-BZ CB-CR ,CT,C Z,DB, DD,DF ,DK DN-DP ,DS- EA,E C-EH, EK-ES	1
535	69B81791-2		..BUSHING	A-BA, BC-BF ,BM-B V,B X-BZ CB-CR ,CT,C Z,DB, DD,DF ,DK DN-DP ,DS- EA,E C-EH, EK-ES	2

32-21-21

 ILLUSTRATED PARTS LIST
 01.101 Page 1068H
 Nov 01/05

BOEING
 COMPONENT
 MAINTENANCE MANUAL

FIG. & ITEM	PART NO.	AIRLINE PART NUMBER	NOMENCLATURE	EFF CODE	QTY PER ASSY
03-540	BACB28AK04-026		1234567 ..BUSHING	A-BA, BC-BF ,BM-B V,B X-BZ CB-CR ,CT,C Z,DB, DD,DF ,DK DN-DP ,DS- EA,E C-EH, EK-ES	2
545	69B81787-6		..ROD ASSY- (USED ON ITEMS 415, 415A, 415B, 415C, 415D, 415E)	A-BA, BC-BF ,BM-B V,B X-BZ CB-CR ,CT,C Z,DB, DD,DF ,DK DN-DP ,DS- EA,E C-EH, EK-ES	1
-545A	69B81787-11		..ROD ASSY- (USED ON ITEMS 415F, 415G, 415H)	A-BA, BC-BF ,BM-B V,B X-BZ CB-CR ,CT,C Z,DB, DD,DF ,DK DN-DP ,DS- EA,E C-EH, EK-ES	1

32-21-21

ILLUSTRATED PARTS LIST
 01.101 Page 1068I
 Nov 01/05

FIG. & ITEM	PART NO.	AIRLINE PART NUMBER	NOMENCLATURE 1234567	EFF CODE	QTY PER ASSY
03- 550	BACB30NF4-15		ATTACHING PARTS ..BOLT	A-BA, BC-BF ,BM-B V,B X-BZ CB-CR ,CT,C Z,DB, DD,DF ,DK DN-DP ,DS- EA,E C-EH, EK-ES	1
555	BACB30NF4-17		..BOLT	A-BA, BC-BF ,BM-B V,B X-BZ CB-CR ,CT,C Z,DB, DD,DF ,DK DN-DP ,DS- EA,E C-EH, EK-ES	1

32-21-21

 ILLUSTRATED PARTS LIST
 01.101 Page 1068J
 Nov 01/05


BOEING
 COMPONENT
 MAINTENANCE MANUAL

FIG. & ITEM	PART NO.	AIRLINE PART NUMBER	NOMENCLATURE	EFF CODE	QTY PER ASSY
03-560	AN960PD416		1234567 ..WASHER- (USED ON ITEMS 415, 415A, 415B, 415C, 415E)	A-BA, BC-BF ,BM-B V,B X-BZ CB-CR ,CT,C Z,DB, DD,DF ,DK DN-DP ,DS- EA,E C-EH, EK-ES	2
-560A	NAS1149D0463J		..WASHER- (USED ON ITEMS 415D, 415F, 415G, 415H)	A-BA, BC-BF ,BM-B V,B X-BZ CB-CR ,CT,C Z,DB, DD,DF ,DK DN-DP ,DS- EA,E C-EH, EK-ES	2

32-21-21

 ILLUSTRATED PARTS LIST
 01.101 Page 1068K
 Nov 01/05

FIG. & ITEM	PART NO.	AIRLINE PART NUMBER	NOMENCLATURE	EFF CODE	QTY PER ASSY
03-565 565A	H10-4BAC BACN10JC4CD		1234567 DELETED ..NUT	A-BA, BC-BF ,BM-B V,B X-BZ CB-CR ,CT,C Z,DB, DD,DF ,DK DN-DP ,DS- EA,E C-EH, EK-ES	2
570	NAS509-6		-----*----- ...NUT	A-BA, BC-BF ,BM-B V,B X-BZ CB-CR ,CT,C Z,DB, DD,DF ,DK DN-DP ,DS- EA,E C-EH, EK-ES	1

32-21-21

 ILLUSTRATED PARTS LIST
 01.101 Page 1068L
 Nov 01/05

BOEING
 COMPONENT
 MAINTENANCE MANUAL

FIG. & ITEM	PART NO.	AIRLINE PART NUMBER	NOMENCLATURE	EFF CODE	QTY PER ASSY
03-575	NAS1193-6-1		1234567 ...LOCKING DEVICE- (USED ON ITEM 545)	A-BA, BC-BF ,BM-B V,B X-BZ CB-CR ,CT,C Z,DB, DD,DF ,DK DN-DP ,DS- EA,E C-EH, EK-ES	1
-575A	NAS1193K6-1P		...LOCKING DEVICE- (USED ON ITEM 545A)	A-BA, BC-BF ,BM-B V,B X-BZ CB-CR ,CT,C Z,DB, DD,DF ,DK DN-DP ,DS- EA,E C-EH, EK-ES	1
580	NAS1193-6-2		...LOCKING DEVICE- (USED ON ITEM 545)	A-BA, BC-BF ,BM-B V,B X-BZ CB-CR ,CT,C Z,DB, DD,DF ,DK DN-DP ,DS- EA,E C-EH, EK-ES	1

32-21-21

ILLUSTRATED PARTS LIST
 01.101 Page 1068M
 Nov 01/05

FIG. & ITEM	PART NO.	AIRLINE PART NUMBER	NOMENCLATURE 1234567	EFF CODE	QTY PER ASSY
03- -580A	NAS1193K6-2P		...LOCKING DEVICE- (USED ON ITEM 545A)	A-BA, BC-BF ,BM-B V,B X-BZ CB-CR ,CT,C Z,DB, DD,DF ,DK DN-DP ,DS- EA,E C-EH, EK-ES	1
585	REP4M6-4FS428		...BEARING- (V21335) (SPEC BACB10AD5K) (OPT HHRE4MS6-1 (V38443)) (OPT REP4M6-4E9171B (V21335)) (OPT ABR4M8WG (V50294)) (OPT ABR4M8WG (VS0352)) (OPT ITEM 585A) (USED ON ITEM 545)	A-BA, BC-BF ,BM-B V,B X-BZ CB-CR ,CT,C Z,DB, DD,DF ,DK DN-DP ,DS- EA,E C-EH, EK-ES	1
-585A	BACB10A446H		...BEARING- (OPT ITEM 585) (USED ON ITEM 545)	A-BA, BC-BF ,BM-B V,B X-BZ CB-CR ,CT,C Z,DB, DD,DF ,DK DN-DP ,DS- EA,E C-EH, EK-ES	1

32-21-21

 ILLUSTRATED PARTS LIST
 01.101 Page 1068N
 Nov 01/05

BOEING
 COMPONENT
 MAINTENANCE MANUAL

FIG. & ITEM	PART NO.	AIRLINE PART NUMBER	NOMENCLATURE	EFF CODE	QTY PER ASSY
			1234567		
03- -585B -585C	60B00179-602 60B00179-605K		DELETED ...BEARING- (USED ON ITEM 545A)	A-BA, BC-BF ,BM-B V,B X-BZ CB-CR ,CT,C Z,DB, DD,DF ,DK DN-DP ,DS- EA,E C-EH, EK-ES	1
590	NAS509L6		...NUT	A-BA, BC-BF ,BM-B V,B X-BZ CB-CR ,CT,C Z,DB, DD,DF ,DK DN-DP ,DS- EA,E C-EH, EK-ES	1

32-21-21

ILLUSTRATED PARTS LIST
 01.101 Page 10680
 Nov 01/05

FIG. & ITEM	PART NO.	AIRLINE PART NUMBER	NOMENCLATURE	EFF CODE	QTY PER ASSY
03-595	NAS1193-6-1		1234567 ...LOCKING DEVICE	A-BA, BC-BF ,BM-B V,B X-BZ CB-CR ,CT,C Z,DB, DD,DF ,DK DN-DP ,DS- EA,E C-EH, EK-ES	1
600	NAS1193-6-2		...LOCKING DEVICE	A-BA, BC-BF ,BM-B V,B X-BZ CB-CR ,CT,C Z,DB, DD,DF ,DK DN-DP ,DS- EA,E C-EH, EK-ES	1

32-21-21

 ILLUSTRATED PARTS LIST
 01.101 Page 1068P
 Nov 01/05


BOEING
 COMPONENT
 MAINTENANCE MANUAL

FIG. & ITEM	PART NO.	AIRLINE PART NUMBER	NOMENCLATURE 1234567	EFF CODE	QTY PER ASSY
03-605	REP4ML6-4FS428		...BEARING- (V21335) (SPEC BACB10AD5LK) (OPT HHRE4MLS6-1 (V38443)) (OPT REP4ML6-4E9171B (V21335)) (OPT ABRL4M9WG (V50294)) (OPT ABRL4M9WG (VS0352)) (OPT ITEM 605A) (USED ON ITEM 545)	A-BA, BC-BF ,BM-B V,B X-BZ CB-CR ,CT,C Z,DB, DD,DF ,DK DN-DP ,DS- EA,E C-EH, EK-ES	1
-605A	REP4ML6-4E91715		...BEARING-ROD END (V21335) (OPT ITEM 605) (USED ON ITEM 545)	A-BA, BC-BF ,BM-B V,B X-BZ CB-CR ,CT,C Z,DB, DD,DF ,DK DN-DP ,DS- EA,E C-EH, EK-ES	1

32-21-21

ILLUSTRATED PARTS LIST

01.101 Page 1068Q

Nov 01/05

FIG. & ITEM	PART NO.	AIRLINE PART NUMBER	NOMENCLATURE	EFF CODE	QTY PER ASSY
			1234567		
03- -605B -605C	60B00179-603 60B00179-605LK		DELETED ...BEARING-ROD END (USED ON ITEM 545A)	A-BA, BC-BF ,BM-B V,B X-BZ CB-CR ,CT,C Z,DB, DD,DF ,DK DN-DP ,DS- EA,E C-EH, EK-ES	1
610	69B81787-8		...ROD- (USED ON ITEM 545)	A-BA, BC-BF ,BM-B V,B X-BZ CB-CR ,CT,C Z,DB, DD,DF ,DK DN-DP ,DS- EA,E C-EH, EK-ES	1

32-21-21

 ILLUSTRATED PARTS LIST
 01.101 Page 1068R
 Nov 01/05

BOEING
 COMPONENT
 MAINTENANCE MANUAL

FIG. & ITEM	PART NO.	AIRLINE PART NUMBER	NOMENCLATURE	EFF CODE	QTY PER ASSY
03-610A	69B81787-12		1234567 ...ROD- (USED ON ITEM 545A)	A-BA, BC-BF ,BM-B V,B X-BZ CB-CR ,CT,C Z,DB, DD,DF ,DK DN-DP ,DS- EA,E C-EH, EK-ES	1
615	65-35436-15		..RETAINER	A-BA, BC-BF ,BM-B V,B X-BZ CB-CR ,CT,C Z,DB, DD,DF ,DK DN-DP ,DS- EA,E C-EH, EK-ES	1

32-21-21

ILLUSTRATED PARTS LIST
 01.101 Page 1068S
 Nov 01/05

FIG. & ITEM	PART NO.	AIRLINE PART NUMBER	NOMENCLATURE	EFF CODE	QTY PER ASSY
03-620	BACB28AK04-026		1234567 ..BUSHING	A-BA, BC-BF ,BM-B V,B X-BZ CB-CR ,CT,C Z,DB, DD,DF ,DK DN-DP ,DS- EA,E C-EH, EK-ES	1
625	69B81791-4		..BUSHING	A-BA, BC-BF ,BM-B V,B X-BZ CB-CR ,CT,C Z,DB, DD,DF ,DK DN-DP ,DS- EA,E C-EH, EK-ES	1

32-21-21

 ILLUSTRATED PARTS LIST
 01.101 Page 1068T
 Nov 01/05

BOEING
 COMPONENT
 MAINTENANCE MANUAL

FIG. & ITEM	PART NO.	AIRLINE PART NUMBER	NOMENCLATURE	EFF CODE	QTY PER ASSY
03-630	257T4405-1		1234567 ..SUPPORT ASSY	A-BA, BC-BF ,BM-B V,B X-BZ CB-CR ,CT,C Z,DB, DD,DF ,DK DN-DP ,DS- EA,E C-EH, EK-ES	1
635	NAS623-3-17		ATTACHING PARTS ..SCREW	A-BA, BC-BF ,BM-B V,B X-BZ CB-CR ,CT,C Z,DB, DD,DF ,DK DN-DP ,DS- EA,E C-EH, EK-ES	2

32-21-21

ILLUSTRATED PARTS LIST
 01.101 Page 1068U
 Nov 01/05

FIG. & ITEM	PART NO.	AIRLINE PART NUMBER	NOMENCLATURE	EFF CODE	QTY PER ASSY
			1234567		
03-640	AN960PD10		..WASHER- (USED ON ITEMS 415, 415A, 415B, 415C, 415E)	A-BA, BC-BF ,BM-B V,B X-BZ CB-CR ,CT,C Z,DB, DD,DF ,DK DN-DP ,DS- EA,E C-EH, EK-ES	2
-640A	NAS1149D0363J		..WASHER- (USED ON ITEMS 415D, 415F, 415G, 415H)	A-BA, BC-BF ,BM-B V,B X-BZ CB-CR ,CT,C Z,DB, DD,DF ,DK DN-DP ,DS- EA,E C-EH, EK-ES	2

32-21-21

 ILLUSTRATED PARTS LIST
 01.101 Page 1068V
 Nov 01/05

BOEING
 COMPONENT
 MAINTENANCE MANUAL

FIG. & ITEM	PART NO.	AIRLINE PART NUMBER	NOMENCLATURE	EFF CODE	QTY PER ASSY
03- 645 645A	H10-3BAC BACN10JC3CD		1234567 DELETED ..NUT	A-BA, BC-BF ,BM-B V,B X-BZ CB-CR ,CT,C Z,DB, DD,DF ,DK DN-DP ,DS- EA,E C-EH, EK-ES	2
650	NAS1368N12A		-----*----- ...GROMMET	A-BA, BC-BF ,BM-B V,B X-BZ CB-CR ,CT,C Z,DB, DD,DF ,DK DN-DP ,DS- EA,E C-EH, EK-ES	1

32-21-21

ILLUSTRATED PARTS LIST
 01.101 Page 1068W
 Nov 01/05

FIG. & ITEM	PART NO.	AIRLINE PART NUMBER	NOMENCLATURE 1234567	EFF CODE	QTY PER ASSY
03-655	BACR15DR3		...RIVET- (SIZE DETERMINE ON INST)	A-BA, BC-BF ,BM-B V,B X-BZ CB-CR ,CT,C Z,DB, DD,DF ,DK DN-DP ,DS- EA,E C-EH, EK-ES	8
660	F5000-3BAC		...NUTPLATE- (V15653) (SPEC BACN10JR3F) (OPT NS103203-02 (V80539)) (OPT RMF9201-3 (V72962)) (OPT T8091S1032 (V11815)) (OPT VN152A1-02 (V92215)) (OPT BRF200A3 (V52828))	A-BA, BC-BF ,BM-B V,B X-BZ CB-CR ,CT,C Z,DB, DD,DF ,DK DN-DP ,DS- EA,E C-EH, EK-ES	4
665	BACR15FT5KE		...RIVET- (SIZE DETERMINE ON INST)	A-BA, BC-BF ,BM-B V,B X-BZ CB-CR ,CT,C Z,DB, DD,DF ,DK DN-DP ,DS- EA,E C-EH, EK-ES	2

32-21-21

 ILLUSTRATED PARTS LIST
 01.101 Page 1068X
 Nov 01/05

BOEING
 COMPONENT
 MAINTENANCE MANUAL

FIG. & ITEM	PART NO.	AIRLINE PART NUMBER	NOMENCLATURE	EFF CODE	QTY PER ASSY
03-670	257T4405-8		1234567 ...CLIP-SPRT	A-BA, BC-BF ,BM-B V,B X-BZ CB-CR ,CT,C Z,DB, DD,DF ,DK DN-DP ,DS- EA,E C-EH, EK-ES	1
675	257T4405-11		...BRACKET	A-BA, BC-BF ,BM-B V,B X-BZ CB-CR ,CT,C Z,DB, DD,DF ,DK DN-DP ,DS- EA,E C-EH, EK-ES	1
680	NAS623-3-17		..SCREW	A-BA, BC-BF ,BM-B V,B X-BZ CB-CR ,CT,C Z,DB, DD,DF ,DK DN-DP ,DS- EA,E C-EH, EK-ES	3

32-21-21

ILLUSTRATED PARTS LIST
 01.101 Page 1068Y
 Nov 01/05

FIG. & ITEM	PART NO.	AIRLINE PART NUMBER	NOMENCLATURE	EFF CODE	QTY PER ASSY
			1234567		
03-685	AN960PD10		..WASHER- (USED ON ITEMS 415, 415A, 415B, 415C, 415E)	A-BA, BC-BF ,BM-B V,B X-BZ CB-CR ,CT,C Z,DB, DD,DF ,DK DN-DP ,DS- EA,E C-EH, EK-ES	3
-685A	NAS1149D0363J		..WASHER- (USED ON ITEMS 415D, 415F, 415G, 415H)	A-BA, BC-BF ,BM-B V,B X-BZ CB-CR ,CT,C Z,DB, DD,DF ,DK DN-DP ,DS- EA,E C-EH, EK-ES	3

32-21-21

 ILLUSTRATED PARTS LIST
 01.101 Page 1068Z
 Nov 01/05

BOEING
 COMPONENT
 MAINTENANCE MANUAL

FIG. & ITEM	PART NO.	AIRLINE PART NUMBER	NOMENCLATURE	EFF CODE	QTY PER ASSY
			1234567		
03-690 690A	H10-3BAC BACN10JC3CD		DELETED ..NUT	A-BA, BC-BF ,BM-B V,B X-BZ CB-CR ,CT,C Z,DB, DD,DF ,DK DN-DP ,DS- EA,E C-EH, EK-ES	3
695	BACB30NF4-32		..BOLT	A-BA, BC-BF ,BM-B V,B X-BZ CB-CR ,CT,C Z,DB, DD,DF ,DK DN-DP ,DS- EA,E C-EH, EK-ES	1

32-21-21

ILLUSTRATED PARTS LIST
 01.101 Page 1069
 Nov 01/05

FIG. & ITEM	PART NO.	AIRLINE PART NUMBER	NOMENCLATURE	EFF CODE	QTY PER ASSY
			1234567		
03-700	AN960PD416		..WASHER- (USED ON ITEMS 415, 415A, 415B, 415C, 415E)	A-BA, BC-BF ,BM-B V,B X-BZ CB-CR ,CT,C Z,DB, DD,DF ,DK DN-DP ,DS- EA,E C-EH, EK-ES	1
-700A	NAS1149D0463J		..WASHER- (USED ON ITEMS 415D, 415F, 415G, 415H)	A-BA, BC-BF ,BM-B V,B X-BZ CB-CR ,CT,C Z,DB, DD,DF ,DK DN-DP ,DS- EA,E C-EH, EK-ES	1

32-21-21

 ILLUSTRATED PARTS LIST
 01.101 Page 1070
 Nov 01/05

BOEING
 COMPONENT
 MAINTENANCE MANUAL

FIG. & ITEM	PART NO.	AIRLINE PART NUMBER	NOMENCLATURE	EFF CODE	QTY PER ASSY
			1234567		
03-705 705A	H10-4BAC BACN10JC4CD		DELETED ..NUT	A-BA, BC-BF ,BM-B V,B X-BZ CB-CR ,CT,C Z,DB, DD,DF ,DK DN-DP ,DS- EA,E C-EH, EK-ES	1
710	BACB30NF6-32		..BOLT	A-BA, BC-BF ,BM-B V,B X-BZ CB-CR ,CT,C Z,DB, DD,DF ,DK DN-DP ,DS- EA,E C-EH, EK-ES	3

32-21-21

ILLUSTRATED PARTS LIST
 01.101 Page 1070A
 Nov 01/05

FIG. & ITEM	PART NO.	AIRLINE PART NUMBER	NOMENCLATURE	EFF CODE	QTY PER ASSY
03-715	NAS43HT6-20		..SPACER	A-BA, BC-BF ,BM-B V,B X-BZ CB-CR ,CT,C Z,DB, DD,DF ,DK DN-DP ,DS- EA,E C-EH, EK-ES	1
720	AN960PD616		..WASHER- (USED ON ITEMS 415, 415A, 415B, 415C, 415E)	A-BA, BC-BF ,BM-B V,B X-BZ CB-CR ,CT,C Z,DB, DD,DF ,DK DN-DP ,DS- EA,E C-EH, EK-ES	3
-720A	NAS1149D0663J		..WASHER- (USED ON ITEMS 415D, 415F, 415G, 415H)	A-BA, BC-BF ,BM-B V,B X-BZ CB-CR ,CT,C Z,DB, DD,DF ,DK DN-DP ,DS- EA,E C-EH, EK-ES	3

32-21-21

 ILLUSTRATED PARTS LIST
 01.101 Page 1070B
 Nov 01/05

BOEING
 COMPONENT
 MAINTENANCE MANUAL

FIG. & ITEM	PART NO.	AIRLINE PART NUMBER	NOMENCLATURE	EFF CODE	QTY PER ASSY
			1234567		
03-725 725A	H10-6BAC BACN10JC6CD		DELETED ..NUT	A-BA, BC-BF ,BM-B V,B X-BZ CB-CR ,CT,C Z,DB, DD,DF ,DK DN-DP ,DS- EA,E C-EH, EK-ES	3
730	257T4405-2		..SUPPORT ASSY	A-BA, BC-BF ,BM-B V,B X-BZ CB-CR ,CT,C Z,DB, DD,DF ,DK DN-DP ,DS- EA,E C-EH, EK-ES	1

32-21-21

ILLUSTRATED PARTS LIST
 01.101 Page 1070C
 Nov 01/05

FIG. & ITEM	PART NO.	AIRLINE PART NUMBER	NOMENCLATURE	EFF CODE	QTY PER ASSY
03-735	NAS1368N12A		1234567 ...GROMMET	A-BA, BC-BF ,BM-B V,B X-BZ CB-CR ,CT,C Z,DB, DD,DF ,DK DN-DP ,DS- EA,E C-EH, EK-ES	1
740	BACR15BA4AD		...RIVET- (SIZE DETERMINE ON INST)	A-BA, BC-BF ,BM-B V,B X-BZ CB-CR ,CT,C Z,DB, DD,DF ,DK DN-DP ,DS- EA,E C-EH, EK-ES	2

32-21-21

 ILLUSTRATED PARTS LIST
 01.101 Page 1070D
 Nov 01/05

BOEING
 COMPONENT
 MAINTENANCE MANUAL

FIG. & ITEM	PART NO.	AIRLINE PART NUMBER	NOMENCLATURE	EFF CODE	QTY PER ASSY
03-745	257T4405-16		1234567 ...RETAINER	A-BA, BC-BF ,BM-B V,B X-BZ CB-CR ,CT,C Z,DB, DD,DF ,DK DN-DP ,DS- EA,E C-EH, EK-ES	1
750	BACR15FT5KE		...RIVET- (SIZE DETERMINE ON INST)	A-BA, BC-BF ,BM-B V,B X-BZ CB-CR ,CT,C Z,DB, DD,DF ,DK DN-DP ,DS- EA,E C-EH, EK-ES	3
755	257T4405-7		...ANGLE-SPRT	A-BA, BC-BF ,BM-B V,B X-BZ CB-CR ,CT,C Z,DB, DD,DF ,DK DN-DP ,DS- EA,E C-EH, EK-ES	1

32-21-21

ILLUSTRATED PARTS LIST
 01.101 Page 1070E
 Nov 01/05

FIG. & ITEM	PART NO.	AIRLINE PART NUMBER	NOMENCLATURE 1234567	EFF CODE	QTY PER ASSY
03-760	BACR15DR3		...RIVET- (SIZE DETERMINE ON INST)	A-BA, BC-BF ,BM-B V,B X-BZ CB-CR ,CT,C Z,DB, DD,DF ,DK DN-DP ,DS- EA,E C-EH, EK-ES	16
765	F5000-3BAC		...NUTPLATE- (V15653) (SPEC BACN10JR3F) (OPT NS103203-02 (V80539)) (OPT RMF9201-3 (V72962)) (OPT T8091S1032 (V11815)) (OPT VN152A1-02 (V92215)) (OPT BRF200A3 (V52828))	A-BA, BC-BF ,BM-B V,B X-BZ CB-CR ,CT,C Z,DB, DD,DF ,DK DN-DP ,DS- EA,E C-EH, EK-ES	8
770	BACR15FT5KE		...RIVET- (SIZE DETERMINE ON INST)	A-BA, BC-BF ,BM-B V,B X-BZ CB-CR ,CT,C Z,DB, DD,DF ,DK DN-DP ,DS- EA,E C-EH, EK-ES	6

32-21-21

 ILLUSTRATED PARTS LIST
 01.101 Page 1070F
 Nov 01/05

BOEING
 COMPONENT
 MAINTENANCE MANUAL

FIG. & ITEM	PART NO.	AIRLINE PART NUMBER	NOMENCLATURE 1234567	EFF CODE	QTY PER ASSY
03-775	257T4405-15		...BRACKET	A-BA, BC-BF ,BM-B V,B X-BZ CB-CR ,CT,C Z,DB, DD,DF ,DK DN-DP ,DS- EA,E C-EH, EK-ES	1
780	257T4405-10		...ANGLE-SPRT	A-BA, BC-BF ,BM-B V,B X-BZ CB-CR ,CT,C Z,DB, DD,DF ,DK DN-DP ,DS- EA,E C-EH, EK-ES	1
785	257T4405-12		...BRACKET	A-BA, BC-BF ,BM-B V,B X-BZ CB-CR ,CT,C Z,DB, DD,DF ,DK DN-DP ,DS- EA,E C-EH, EK-ES	1

32-21-21

ILLUSTRATED PARTS LIST
 01.101 Page 1070G
 Nov 01/05

FIG. & ITEM	PART NO.	AIRLINE PART NUMBER	NOMENCLATURE 1234567	EFF CODE	QTY PER ASSY
03-790	BACB28AK04-149		..BUSHING	A-BA, BC-BF ,BM-B V,B X-BZ CB-CR ,CT,C Z,DB, DD,DF ,DK DN-DP ,DS- EA,E C-EH, EK-ES	1
795	NAS72-6E009		..BUSHING	A-BA, BC-BF ,BM-B V,B X-BZ CB-CR ,CT,C Z,DB, DD,DF ,DK DN-DP ,DS- EA,E C-EH, EK-ES	1
800	257T4403-1		..PLATE ASSY-MTG	A-BA, BC-BF ,BM-B V,B X-BZ CB-CR ,CT,C Z,DB, DD,DF ,DK DN-DP ,DS- EA,E C-EH, EK-ES	1

32-21-21

 ILLUSTRATED PARTS LIST
 01.101 Page 1070H
 Nov 01/05

BOEING
 COMPONENT
 MAINTENANCE MANUAL

FIG. & ITEM	PART NO.	AIRLINE PART NUMBER	NOMENCLATURE	EFF CODE	QTY PER ASSY
03-805	69B82080-2		1234567 ...BUSHING	A-BA, BC-BF ,BM-B V,B X-BZ CB-CR ,CT,C Z,DB, DD,DF ,DK DN-DP ,DS- EA,E C-EH, EK-ES	1
810	257T4403-2		...PLATE	A-BA, BC-BF ,BM-B V,B X-BZ CB-CR ,CT,C Z,DB, DD,DF ,DK DN-DP ,DS- EA,E C-EH, EK-ES	1

32-21-21

ILLUSTRATED PARTS LIST
 01.101 Page 1070I
 Nov 01/05

FIG. & ITEM	PART NO.	AIRLINE PART NUMBER	NOMENCLATURE 1234567	EFF CODE	QTY PER ASSY
03-815	KP6AFS428		..BEARING- (V21335) (SPEC BACB10BX6) (OPT KP6A2TS (V43991)) (OPT LLKP6A (V38443)) (OPT KP6AG27 (V30163)) (OPT KP6A (V38443)) (OPT KP6BLY196 (V40920)) (OPT KP6BSD610 (V83086)) (OPT CS206E (VK8455)) (USED ON ITEMS 415, 415A)	A-BA, BC-BF ,BM-B V,B X-BZ CB-CR ,CT,C Z,DB, DD,DF ,DK DN-DP ,DS- EA,E C-EH, EK-ES	1
-815A	PACMKP6AA3908		..BEARING- (V21335) (SPEC BACB10FS6) (OPT SSMKP6ASD705 (V83086)) (USED ON ITEMS 415B, 415C)	A-BA, BC-BF ,BM-B V,B X-BZ CB-CR ,CT,C Z,DB, DD,DF ,DK DN-DP ,DS- EA,E C-EH, EK-ES	1

32-21-21

 ILLUSTRATED PARTS LIST
 01.101 Page 1070J
 Nov 01/05

BOEING
 COMPONENT
 MAINTENANCE MANUAL

FIG. & ITEM	PART NO.	AIRLINE PART NUMBER	NOMENCLATURE	EFF CODE	QTY PER ASSY
03- -815B	BACB10FS06J		1234567 ..BEARING- (USED ON ITEMS 415D, 415H)	A-BA, BC-BF ,BM-B V,B X-BZ CB-CR ,CT,C Z,DB, DD,DF ,DK DN-DP ,DS- EA,E C-EH, EK-ES	1
820	257T4402-4		..LEVER ASSY- (USED ON ITEMS 415, 415A)	A-BA, BC-BF ,BM-B V,B X-BZ CB-CR ,CT,C Z,DB, DD,DF ,DK DN-DP ,DS- EA,E C-EH, EK-ES	1
-820A	257T4402-6		..LEVER ASSY- (USED ON ITEMS 415B-415H)	A-BA, BC-BF ,BM-B V,B X-BZ CB-CR ,CT,C Z,DB, DD,DF ,DK DN-DP ,DS- EA,E C-EH, EK-ES	1

32-21-21

ILLUSTRATED PARTS LIST
 01.1 Page 1070K
 Nov 01/05

FIG. & ITEM	PART NO.	AIRLINE PART NUMBER	NOMENCLATURE 1234567	EFF CODE	QTY PER ASSY
03-825	BACB10BX6		...BEARING (USED ON ITEM 820)	A-BA, BC-BF BM-BV BX-BZ CB-CR CT,CZ DB,DD DF,DK DN-DP DS-EA EC-EH EK-ES	1
-825A	BACB10FS6		...BEARING (USED ON ITEM 820A)		1
830	BACB23U10C84		DELETED		
830A	BACB28U10C84		DELETED		
830B	BACB28U10C084		...BUSHING	A-BA, BC-BF BM-B V,B X-BZ CB-CR CT,C Z,DB, DD,DF DK DN-DP DS- EA,E C-EH, EK-ES	1

32-21-21

 ILLUSTRATED PARTS LIST
 01.101 Page 1070L
 Nov 01/05

BOEING
 COMPONENT
 MAINTENANCE MANUAL

FIG. & ITEM	PART NO.	AIRLINE PART NUMBER	NOMENCLATURE 1234567	EFF CODE	QTY PER ASSY
03-835	69B82080-2		...BUSHING	A-BA, BC-BF ,BM-B V,B X-BZ CB-CR ,CT,C Z,DB, DD,DF ,DK DN-DP ,DS- EA,E C-EH, EK-ES	1
840	257T4402-5		...LEVER- (OPT ITEM 840A)	A-BA, BC-BF ,BM-B V,B X-BZ CB-CR ,CT,C Z,DB, DD,DF ,DK DN-DP ,DS- EA,E C-EH, EK-ES	1
-840A	257T4402-7		...LEVER-HOGOUT (OPT ITEM 840)	A-BA, BC-BF ,BM-B V,B X-BZ CB-CR ,CT,C Z,DB, DD,DF ,DK DN-DP ,DS- EA,E C-EH, EK-ES	1

32-21-21

ILLUSTRATED PARTS LIST
 01.101 Page 1070M
 Nov 01/05

FIG. & ITEM	PART NO.	AIRLINE PART NUMBER	NOMENCLATURE	EFF CODE	QTY PER ASSY
03-845	257T4403-3		..PLATE-MTG	A-BA, BC-BF ,BM-B V,B X-BZ CB-CR ,CT,C Z,DB, DD,DF ,DK DN-DP ,DS- EA,E C-EH, EK-ES	1
850	257T4405-18		..SUPPORT ASSY	A-BA, BC-BF ,BM-B V,B X-BZ CB-CR ,CT,C Z,DB, DD,DF ,DK DN-DP ,DS- EA,E C-EH, EK-ES	1

32-21-21

 ILLUSTRATED PARTS LIST
 01.101 Page 1070N
 Nov 01/05

BOEING
 COMPONENT
 MAINTENANCE MANUAL

FIG. & ITEM	PART NO.	AIRLINE PART NUMBER	NOMENCLATURE	EFF CODE	QTY PER ASSY
03-855	NAS1368N10A		1234567 ...GROMMET	A-BA, BC-BF ,BM-B V,B X-BZ CB-CR ,CT,C Z,DB, DD,DF ,DK DN-DP ,DS- EA,E C-EH, EK-ES	2
860	BACR15DR3		...RIVET- (SIZE DETERMINE ON INST)	A-BA, BC-BF ,BM-B V,B X-BZ CB-CR ,CT,C Z,DB, DD,DF ,DK DN-DP ,DS- EA,E C-EH, EK-ES	12

32-21-21

ILLUSTRATED PARTS LIST
 01.101 Page 10700
 Nov 01/05

FIG. & ITEM	PART NO.	AIRLINE PART NUMBER	NOMENCLATURE 1234567	EFF CODE	QTY PER ASSY
03-865	F5000-3BAC		...NUTPLATE- (V15653) (SPEC BACN10JR3F) (OPT NS103203-02 (V80539)) (OPT RMF9201-3 (V72962)) (OPT T8091S1032 (V11815)) (OPT VN152A1-02 (V92215)) (OPT BRF200A3 (V52828))	A-BA, BC-BF ,BM-B V,B X-BZ CB-CR ,CT,C Z,DB, DD,DF ,DK DN-DP ,DS- EA,E C-EH, EK-ES	6
870	BACR15FT5KE		...RIVET- (SIZE DETERMINE ON INST)	A-BA, BC-BF ,BM-B V,B X-BZ CB-CR ,CT,C Z,DB, DD,DF ,DK DN-DP ,DS- EA,E C-EH, EK-ES	8
875	257T4405-4		...ANGLE-SPRT	A-BA, BC-BF ,BM-B V,B X-BZ CB-CR ,CT,C Z,DB, DD,DF ,DK DN-DP ,DS- EA,E C-EH, EK-ES	2

32-21-21

 ILLUSTRATED PARTS LIST
 01.101 Page 1070P
 Nov 01/05

BOEING
 COMPONENT
 MAINTENANCE MANUAL

FIG. & ITEM	PART NO.	AIRLINE PART NUMBER	NOMENCLATURE	EFF CODE	QTY PER ASSY
03-880	BACR15BA5KE		1234567 ...RIVET- (SIZE DETERMINE ON INST)	A-BA, BC-BF ,BM-B V,B X-BZ CB-CR ,CT,C Z,DB, DD,DF ,DK DN-DP ,DS- EA,E C-EH, EK-ES	4
885	257T4405-6		...CLIP-SPRT	A-BA, BC-BF ,BM-B V,B X-BZ CB-CR ,CT,C Z,DB, DD,DF ,DK DN-DP ,DS- EA,E C-EH, EK-ES	1
890	257T4405-5		...CLIP-SPRT	A-BA, BC-BF ,BM-B V,B X-BZ CB-CR ,CT,C Z,DB, DD,DF ,DK DN-DP ,DS- EA,E C-EH, EK-ES	1

32-21-21

ILLUSTRATED PARTS LIST
 01.101 Page 1070Q
 Nov 01/05

FIG. & ITEM	PART NO.	AIRLINE PART NUMBER	NOMENCLATURE	EFF CODE	QTY PER ASSY
03-895	257T4405-9		1234567 ...CHANNEL	A-BA, BC-BF ,BM-B V,B X-BZ CB-CR ,CT,C Z,DB, DD,DF ,DK DN-DP ,DS- EA,E C-EH, EK-ES	1
900	257T4405-14		...ANGLE-SPRT	A-BA, BC-BF ,BM-B V,B X-BZ CB-CR ,CT,C Z,DB, DD,DF ,DK DN-DP ,DS- EA,E C-EH, EK-ES	1

32-21-21

 ILLUSTRATED PARTS LIST
 01.101 Page 1070R
 Nov 01/05

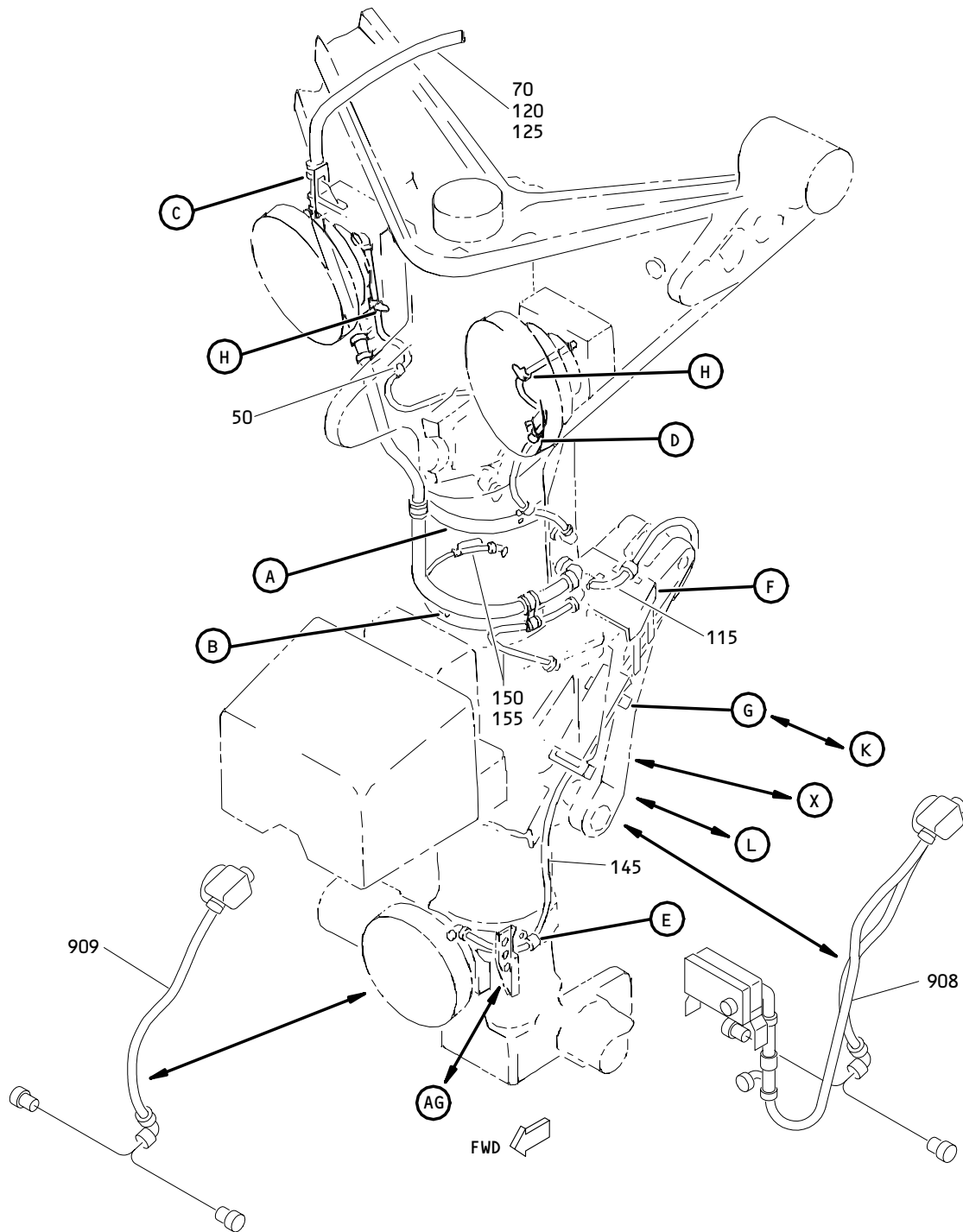

BOEING
 COMPONENT
 MAINTENANCE MANUAL

FIG. & ITEM	PART NO.	AIRLINE PART NUMBER	NOMENCLATURE 1234567	EFF CODE	QTY PER ASSY
03- 905	257T4405-17		...ANGLE-SPRT	A-BA, BC-BF ,BM-B V,B X-BZ CB-CR ,CT,C Z,DB, DD,DF ,DK DN-DP ,DS- EA,E C-EH, EK-ES	1

- Item Not Illustrated

32-21-21

ILLUSTRATED PARTS LIST
 01.101 Page 1070S
 Nov 01/05

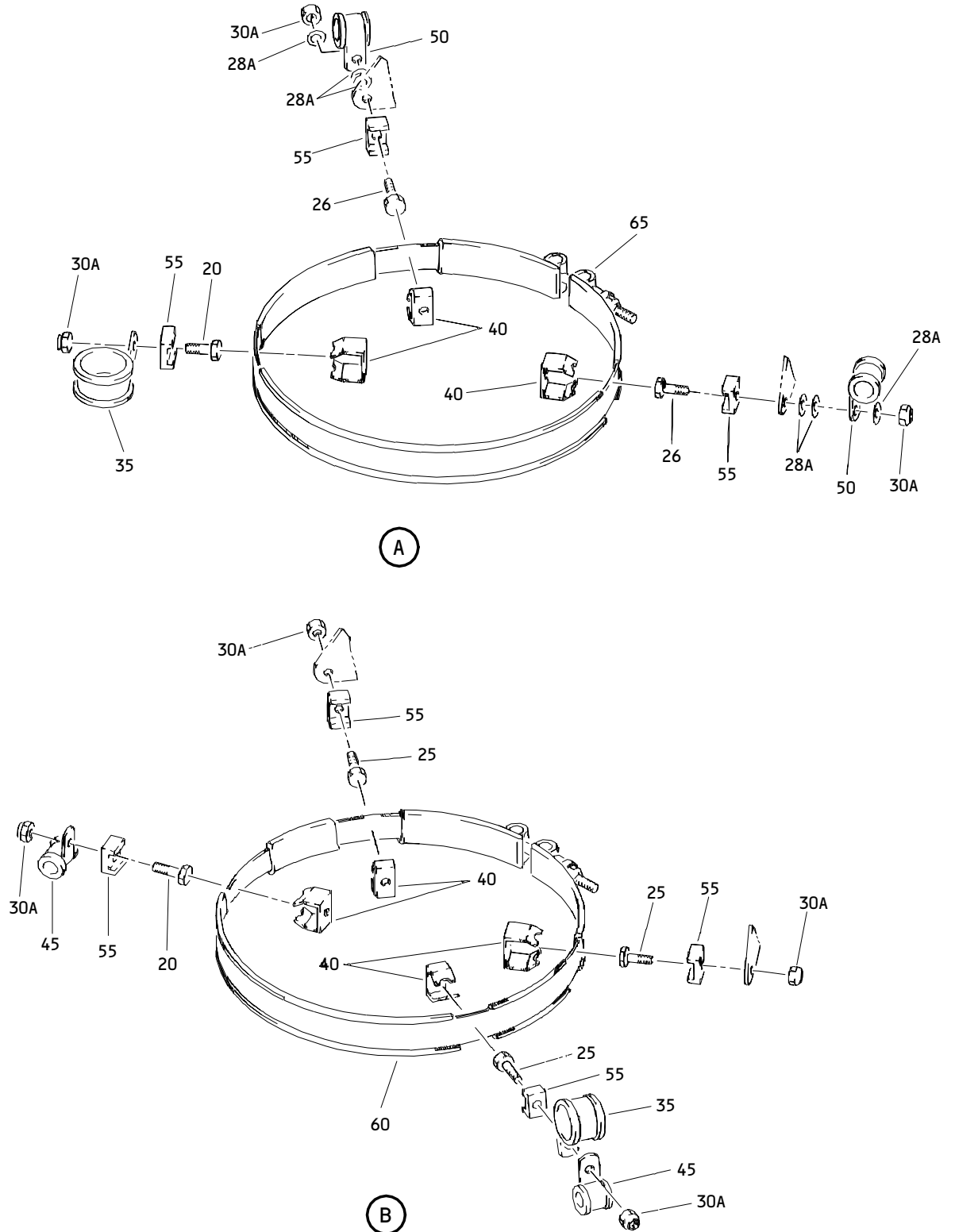


Multi Section Variable Nose Gear Assembly Wire Provision Installation
 Figure 4 (Sheet 1)

32-21-21

ILLUSTRATED PARTS LIST
 01.101 Page 1070T
 Nov 01/05

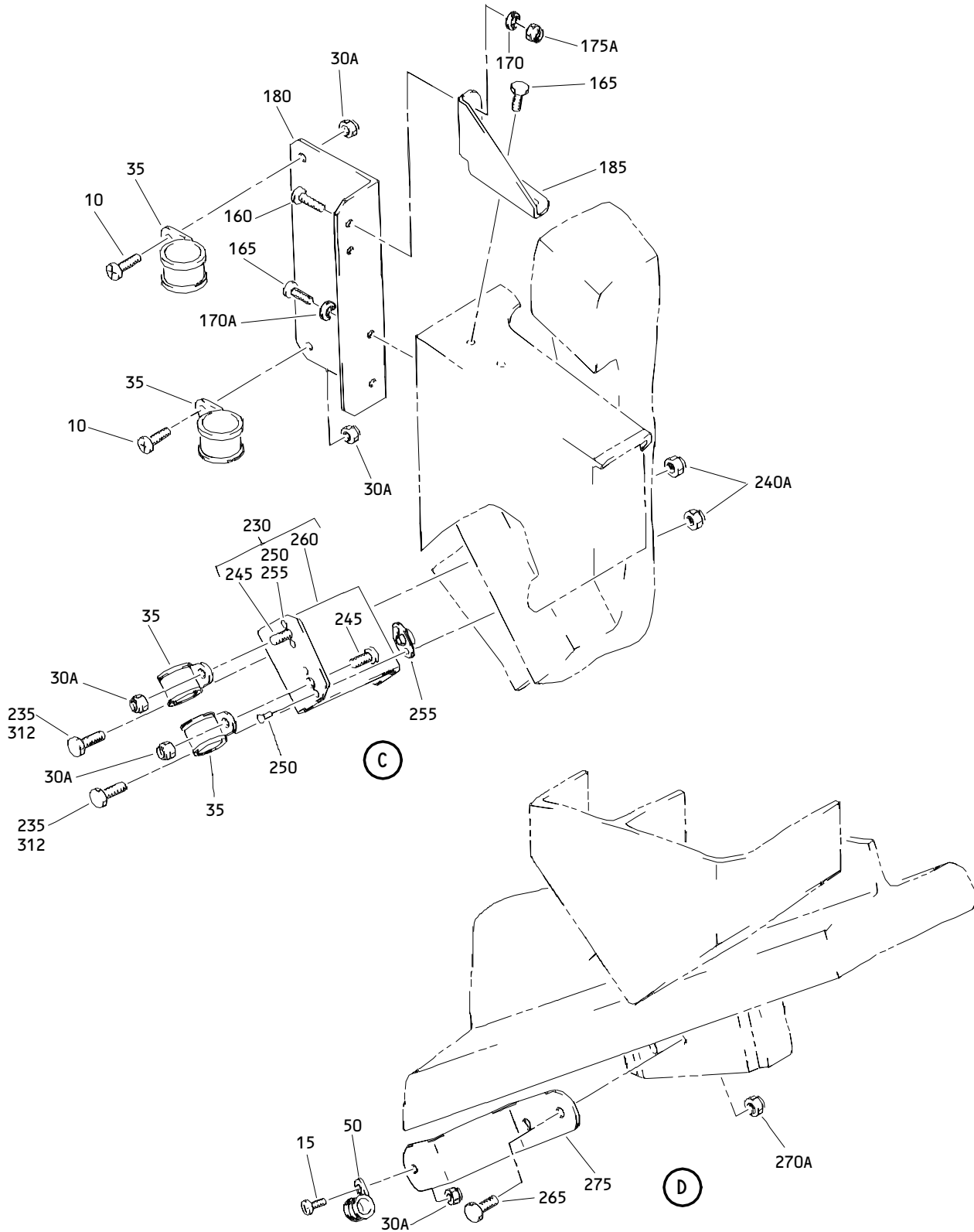
BOEING
 COMPONENT
 MAINTENANCE MANUAL



Multi Section Variable Nose Gear Assembly Wire Provision Installation
 Figure 4 (Sheet 2)

32-21-21

ILLUSTRATED PARTS LIST
 01.101 Page 1070U
 Nov 01/05

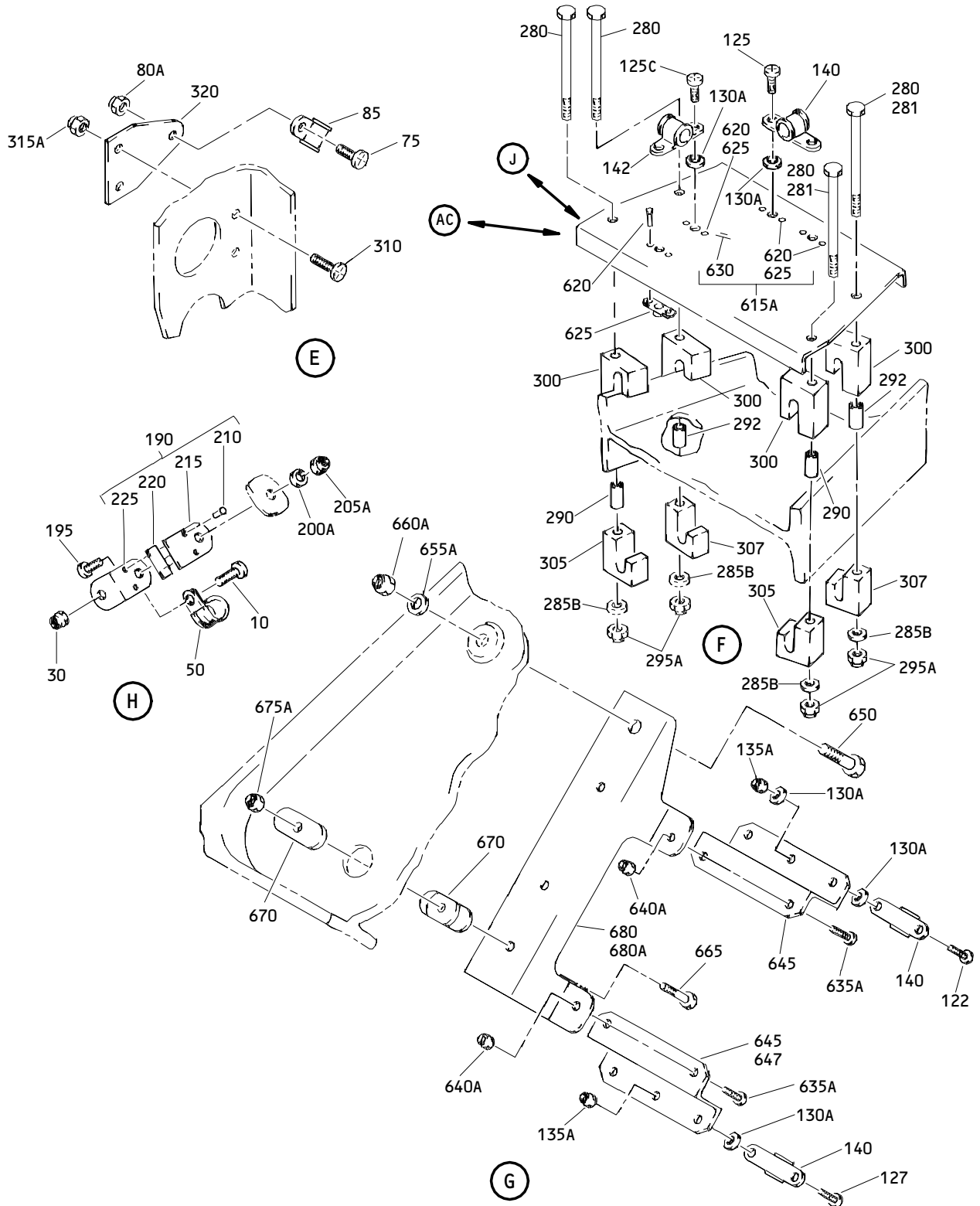


Multi Section Variable Nose Gear Assembly Wire Provision Installation
 Figure 4 (Sheet 3)

32-21-21

ILLUSTRATED PARTS LIST
 01.101 Page 1070V
 Nov 01/05

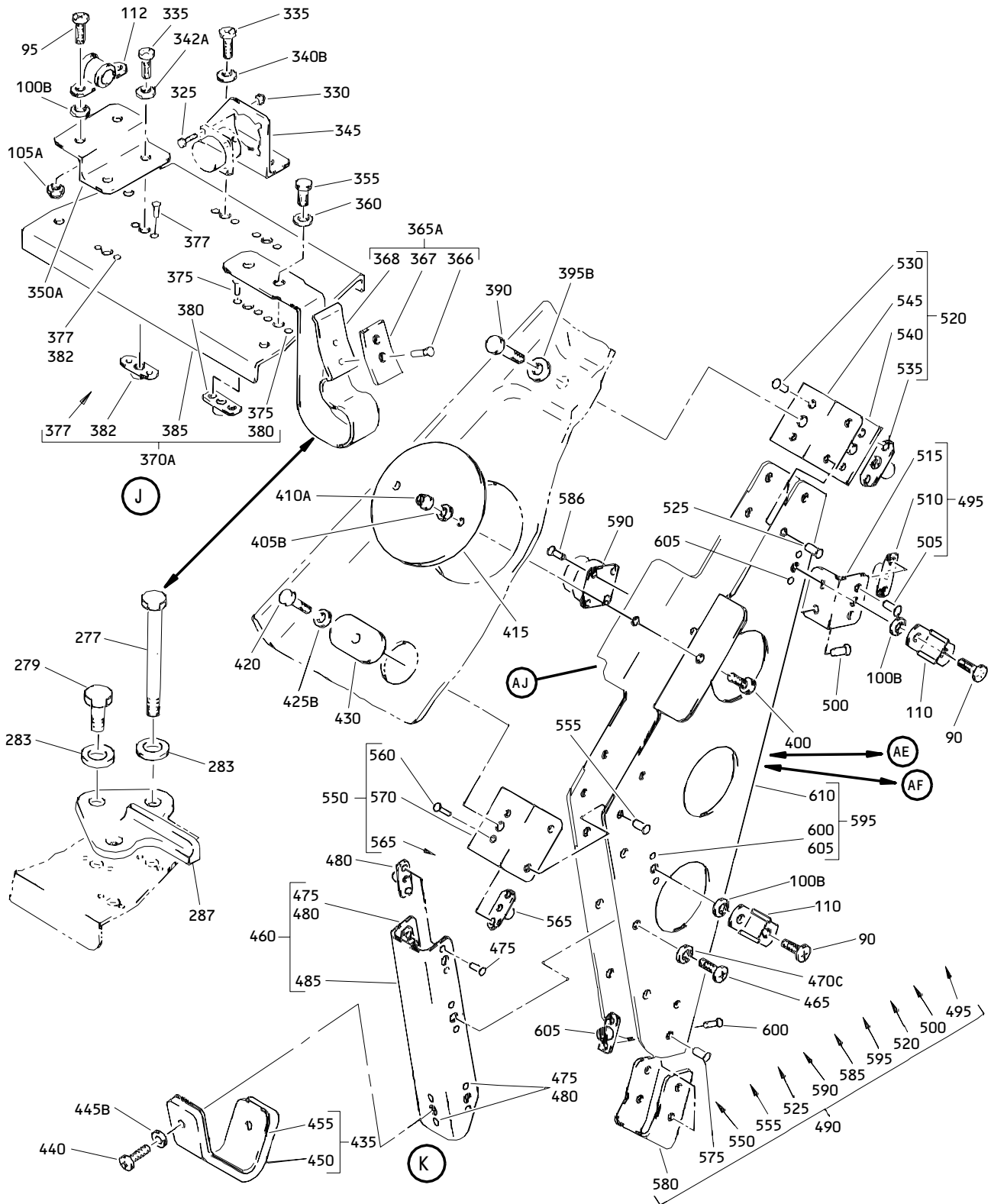
BOEING
COMPONENT
MAINTENANCE MANUAL



Multi Section Variable Nose Gear Assembly Wire Provision Installation
Figure 4 (Sheet 4)

32-21-21

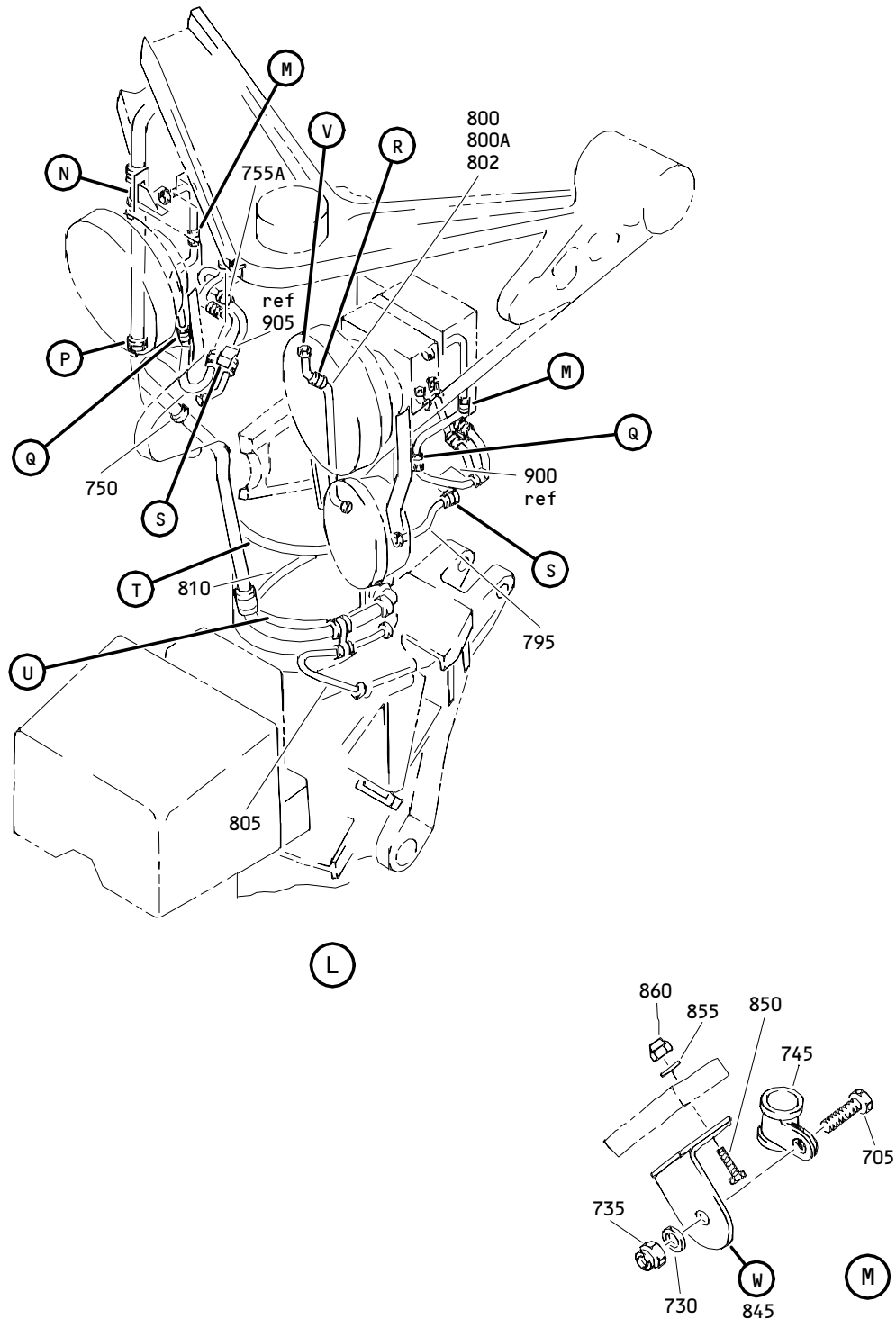
ILLUSTRATED PARTS LIST
01.101 Page 1070W
Nov 01/05



**Multi Section Variable Nose Gear Assembly Wire Provision Assembly
Figure 4 (Sheet 5)**

32-21-21

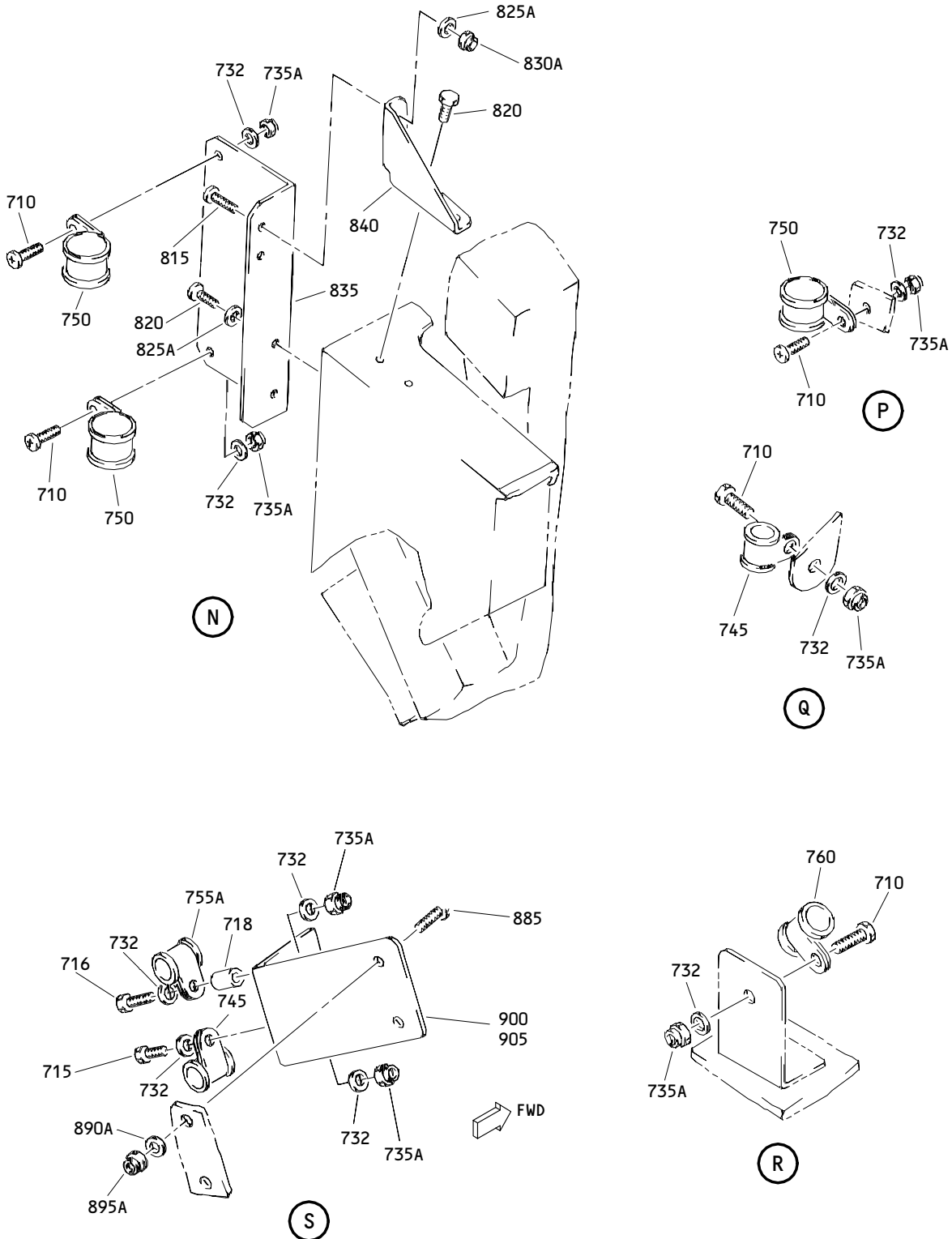
ILLUSTRATED PARTS LIST
01.101 Page 1070X
Nov 01/05



Multi Section Variable Nose Gear Assembly Wire Provision Installation
 Figure 4 (Sheet 6)

32-21-21

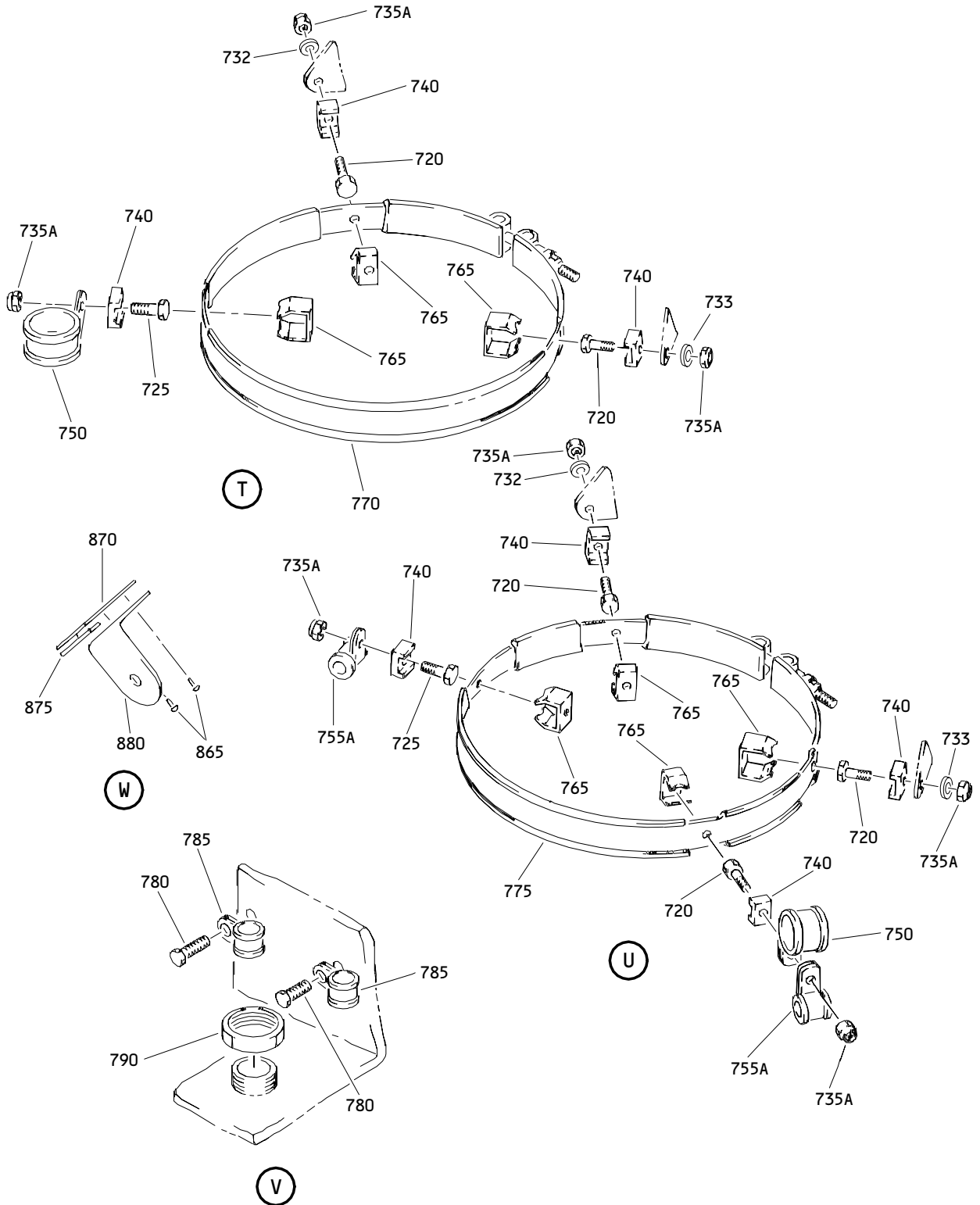
ILLUSTRATED PARTS LIST
 01.101 Page 1070Y
 Nov 01/05



Multi Section Variable Nose Gear Assembly Wire Provision Installation
 Figure 4 (Sheet 7)

32-21-21

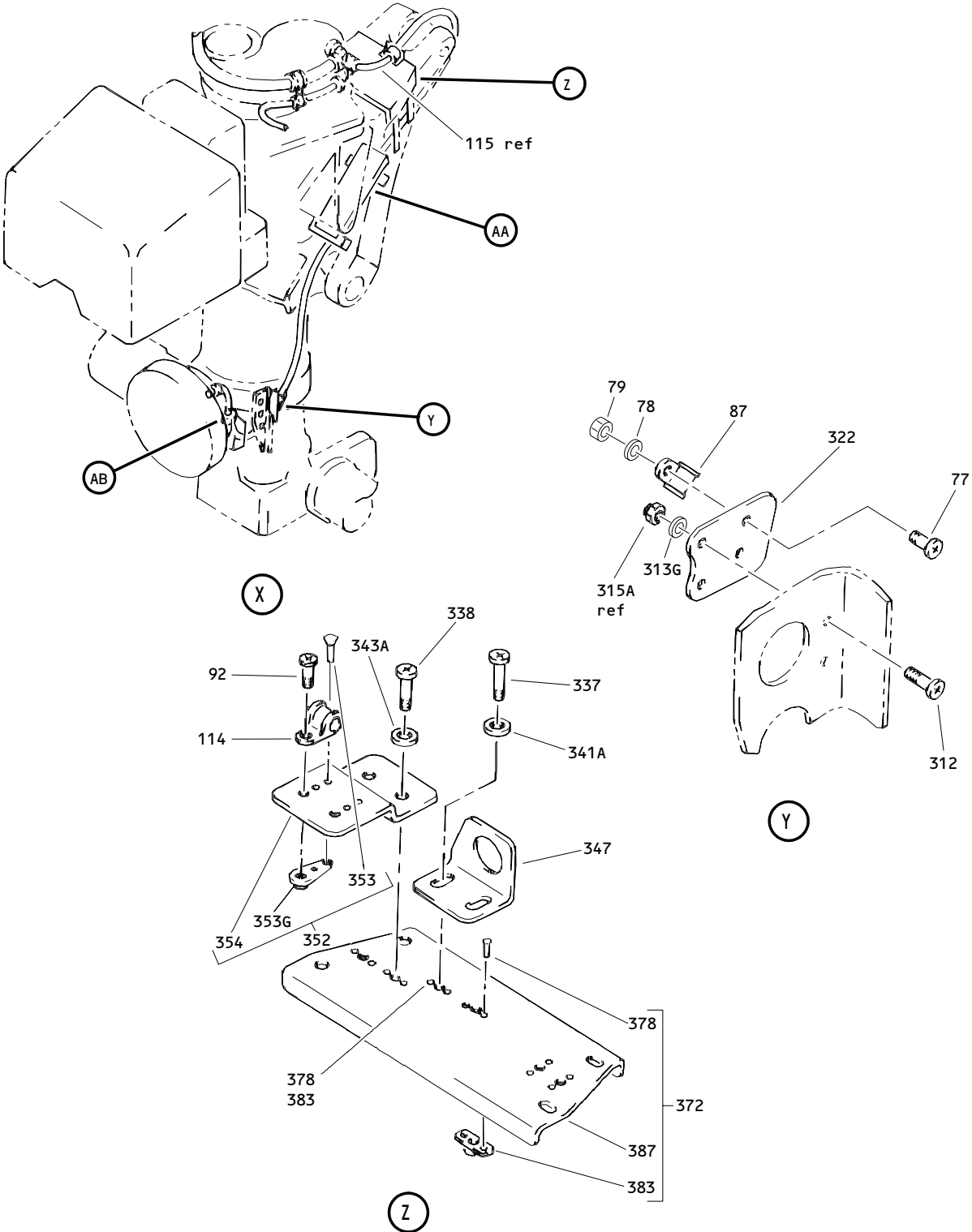
ILLUSTRATED PARTS LIST
 01.101 Page 1070Z
 Nov 01/05



Multi Section Variable Nose Gear Assembly Wire Provision Installation
Figure 4 (Sheet 8)

32-21-21

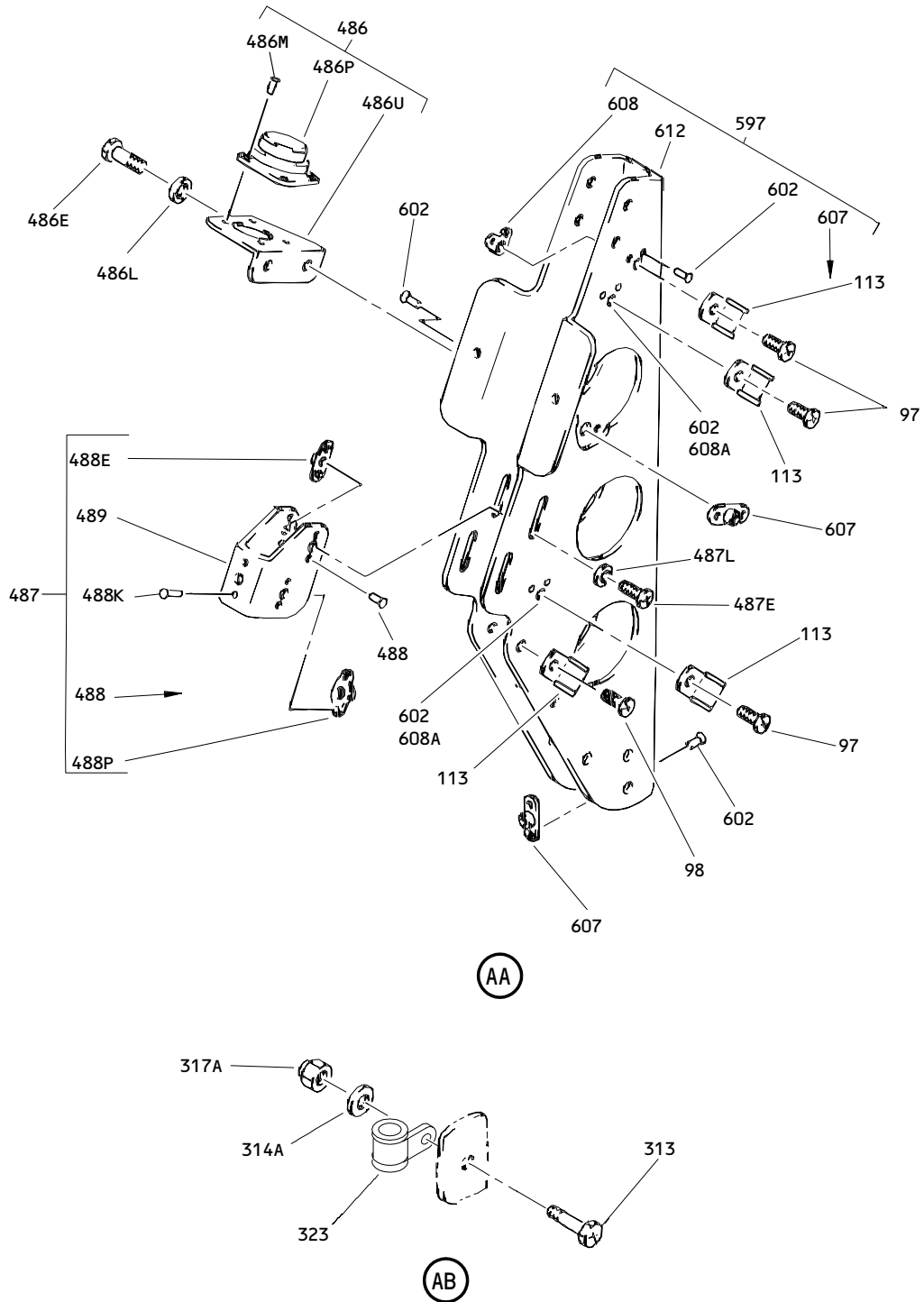
ILLUSTRATED PARTS LIST
01.101 Page 1071
Nov 01/05



Multi Section Variable Nose Gear Assembly Wire Provision Installation
 Figure 4 (Sheet 9)

32-21-21

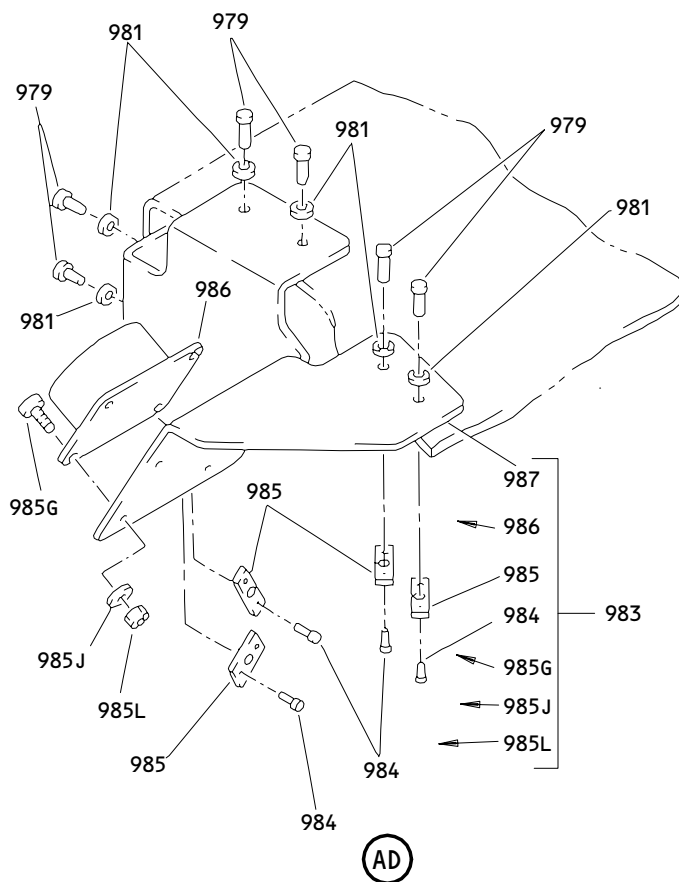
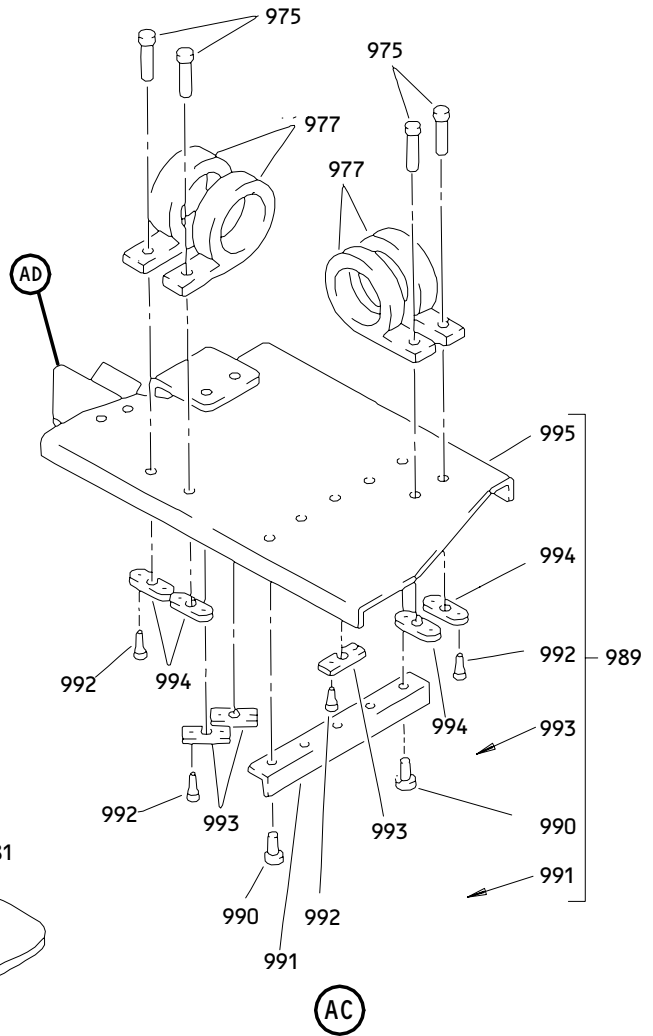
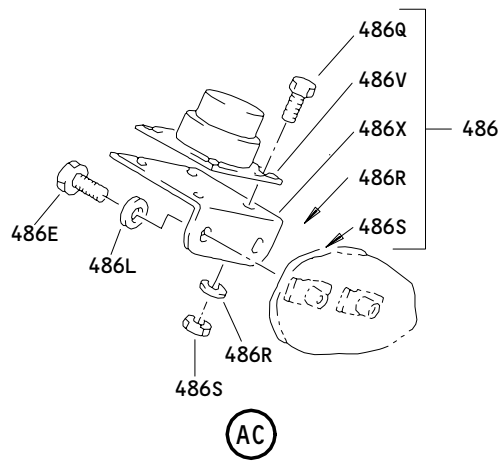
ILLUSTRATED PARTS LIST
 01.1 Page 1072
 Nov 01/05



Multi Section Variable Nose Gear Assembly Wire Provision Installation
 Figure 4 (Sheet 10)

32-21-21

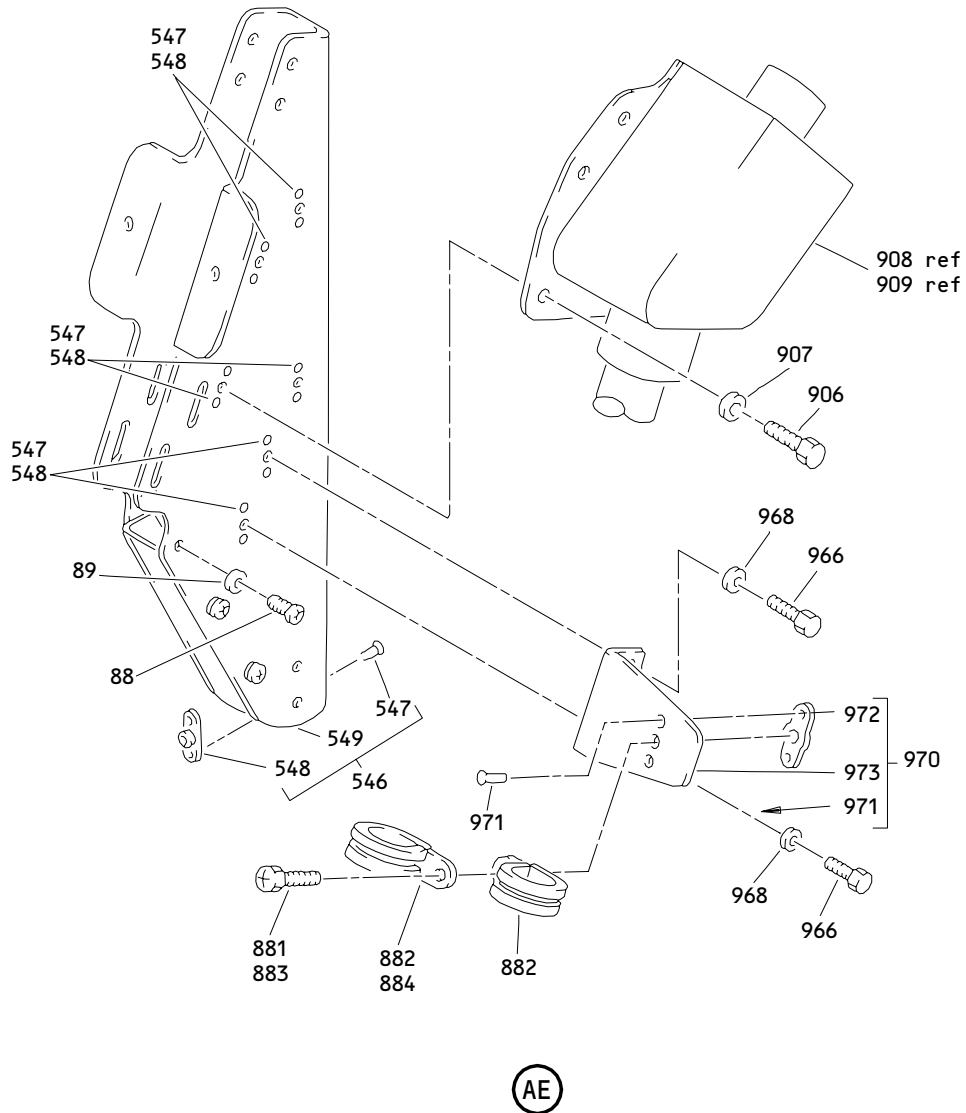
ILLUSTRATED PARTS LIST
 01.1 Page 1072A
 Nov 01/05



Multi Section Variable Nose Gear Assembly Wire Provision Installation
 Figure 4 (Sheet 11)

32-21-21

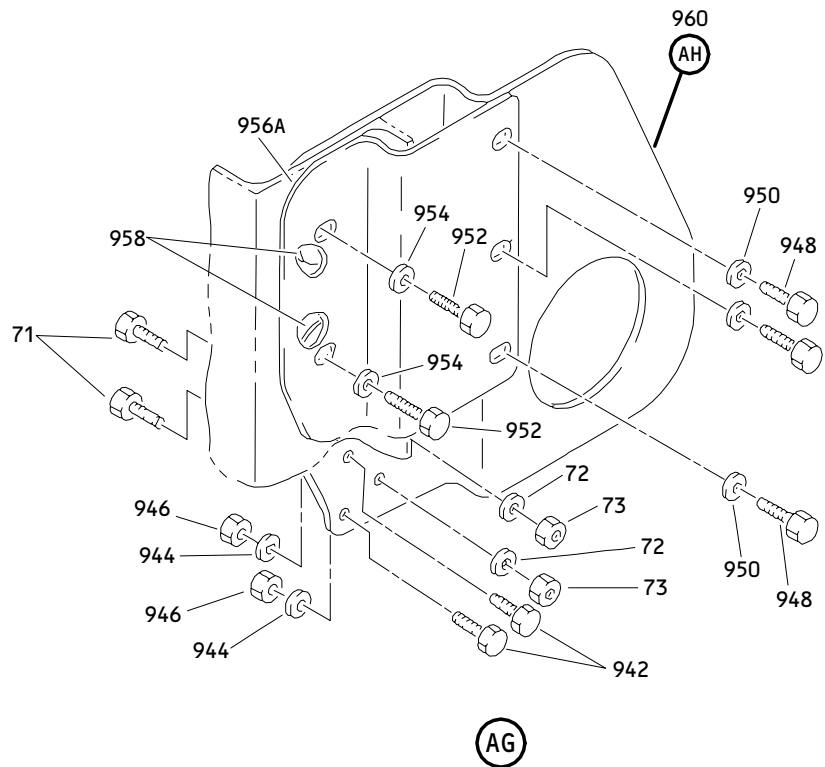
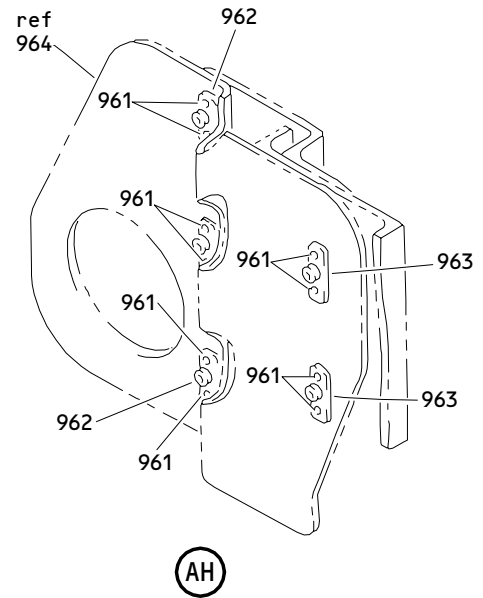
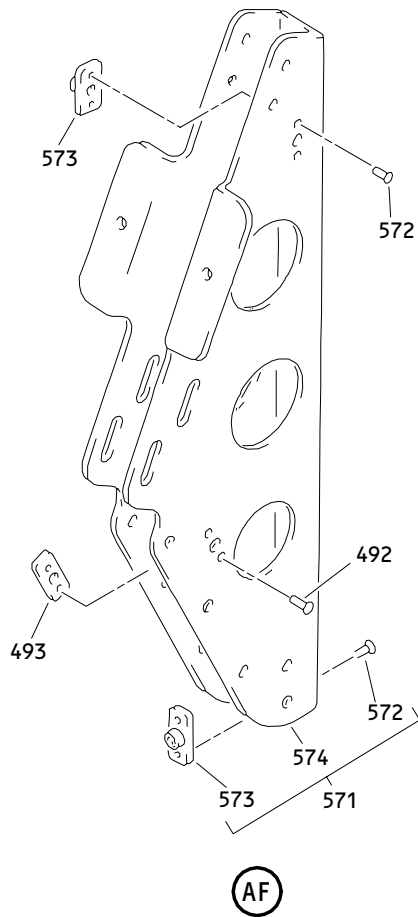
ILLUSTRATED PARTS LIST
 01.101 Page 1072B
 Nov 01/05



Multi Section Variable Nose Gear Assembly Wire Provision Installation
Figure 4 (Sheet 12)

32-21-21

ILLUSTRATED PARTS LIST
01.101 Page 1072C
Nov 01/05



Multi Section Variable Nose Gear Assembly Wire Provision Installation
 Figure 4 (Sheet 13)

32-21-21

ILLUSTRATED PARTS LIST
 01.101 Page 1072D
 Nov 01/05

BOEING
 COMPONENT
 MAINTENANCE MANUAL

FIG. & ITEM	PART NO.	AIRLINE PART NUMBER	NOMENCLATURE	EFF CODE	QTY PER ASSY
04-1	287T0000-7		1234567 PROVISION INSTL-MULTI SECT. VAR NOSE GEAR ASSY WIRE	A-BA, BC-BF ,BM-B V,B X-BZ CB-CR ,CT,C Z,DB, DD,DF ,DK DN-DP ,DS- EA,E C-EH, EK-ES	RF
-5	287T6201-5		.PROVISION INSTL-WIRE (LIMITED)	A-BA, BC-BF ,BM-B V,B X-BZ CB-CR ,CT,C Z,DB, DD,DF ,DK DN-DP ,DS- EA,E C-EH, EK-ES	1
-5A	287T6201-4		.PROVISION INSTL-WIRE (LIMITED)	A-BA, BC-BF ,BM-B V,B X-BZ CB-CR ,CT,C Z,DB, DD,DF ,DK DN-DP ,DS- EA,E C-EH, EK-ES	1

32-21-21

ILLUSTRATED PARTS LIST
 01.101 Page 1072E
 Nov 01/05

FIG. & ITEM	PART NO.	AIRLINE PART NUMBER	NOMENCLATURE 1234567	EFF CODE	QTY PER ASSY
04- -5B	287T6201-1		.PROVISION INSTL-WIRE (LIMITED)	A-BA, BC-BF ,BM-B V,B X-BZ CB-CR ,CT,C Z,DB, DD,DF ,DK DN-DP ,DS- EA,E C-EH, EK-ES	1
-5C	287T6201-3		.PROVISION INSTL-WIRE (LIMITED)	A-BA, BC-BF ,BM-B V,B X-BZ CB-CR ,CT,C Z,DB, DD,DF ,DK DN-DP ,DS- EA,E C-EH, EK-ES	1
-5D	287T6201-7		.PROVISION INSTL-WIRE (LIMITED)	A-BA, BC-BF ,BM-B V,B X-BZ CB-CR ,CT,C Z,DB, DD,DF ,DK DN-DP ,DS- EA,E C-EH, EK-ES	1

32-21-21

 ILLUSTRATED PARTS LIST
 01.101 Page 1072F
 Nov 01/05

BOEING
 COMPONENT
 MAINTENANCE MANUAL

FIG. & ITEM	PART NO.	AIRLINE PART NUMBER	NOMENCLATURE 1234567	EFF CODE	QTY PER ASSY
04- -5E	287T6201-8		.PROVISION INSTL-WIRE (LIMITED)	A-BA, BC-BF ,BM-B V,B X-BZ CB-CR ,CT,C Z,DB, DD,DF ,DK DN-DP ,DS- EA,E C-EH, EK-ES	1
-5F	287T6201-9		.PROVISION INSTL-WIRE (LIMITED)	A-BA, BC-BF ,BM-B V,B X-BZ CB-CR ,CT,C Z,DB, DD,DF ,DK DN-DP ,DS- EA,E C-EH, EK-ES	1
-5G	287T6201-10		.PROVISION INSTL-WIRE (LIMITED)	A-BA, BC-BF ,BM-B V,B X-BZ CB-CR ,CT,C Z,DB, DD,DF ,DK DN-DP ,DS- EA,E C-EH, EK-ES	1

32-21-21

ILLUSTRATED PARTS LIST
 01.101 Page 1072G
 Nov 01/05

FIG. & ITEM	PART NO.	AIRLINE PART NUMBER	NOMENCLATURE 1234567	EFF CODE	QTY PER ASSY
04- -5H	287T6201-11		.PROVISION INSTL-WIRE (LIMITED)	A-BA, BC-BF ,BM-B V,B X-BZ CB-CR ,CT,C Z,DB, DD,DF ,DK DN-DP ,DS- EA,E C-EH, EK-ES	1
-5J	287T6201-12		.PROVISION INSTL-WIRE (LIMITED)	A-BA, BC-BF ,BM-B V,B X-BZ CB-CR ,CT,C Z,DB, DD,DF ,DK DN-DP ,DS- EA,E C-EH, EK-ES	1
-5K	287T6201-13		.PROVISION INSTL-WIRE (LIMITED)	A-BA, BC-BF ,BM-B V,B X-BZ CB-CR ,CT,C Z,DB, DD,DF ,DK DN-DP ,DS- EA,E C-EH, EK-ES	1

32-21-21

 ILLUSTRATED PARTS LIST
 01.101 Page 1072H
 Nov 01/05

BOEING
 COMPONENT
 MAINTENANCE MANUAL

FIG. & ITEM	PART NO.	AIRLINE PART NUMBER	NOMENCLATURE 1234567	EFF CODE	QTY PER ASSY
04- -5L	287T6201-16		.PROVISION INSTL-WIRE (LIMITED)	A-BA, BC-BF ,BM-B V,B X-BZ CB-CR ,CT,C Z,DB, DD,DF ,DK DN-DP ,DS- EA,E C-EH, EK-ES	1
-5M	287T6201-17		.PROVISION INSTL-WIRE (LIMITED)	A-BA, BC-BF ,BM-B V,B X-BZ CB-CR ,CT,C Z,DB, DD,DF ,DK DN-DP ,DS- EA,E C-EH, EK-ES	1
-5N	287T6201-18		.PROVISION INSTL-WIRE (LIMITED)	A-BA, BC-BF ,BM-B V,B X-BZ CB-CR ,CT,C Z,DB, DD,DF ,DK DN-DP ,DS- EA,E C-EH, EK-ES	1

32-21-21

ILLUSTRATED PARTS LIST
 01.101 Page 1072I
 Nov 01/05

FIG. & ITEM	PART NO.	AIRLINE PART NUMBER	NOMENCLATURE 1234567	EFF CODE	QTY PER ASSY
04- -5P	287T6201-19		.PROVISION INSTL-WIRE (LIMITED)	A-BA, BC-BF ,BM-B V,B X-BZ CB-CR ,CT,C Z,DB, DD,DF ,DK DN-DP ,DS- EA,E C-EH, EK-ES	1
-5Q	287T6201-20		.PROVISION INSTL-WIRE (LIMITED)	A-BA, BC-BF ,BM-B V,B X-BZ CB-CR ,CT,C Z,DB, DD,DF ,DK DN-DP ,DS- EA,E C-EH, EK-ES	1
-5R	287T6201-21		.PROVISION INSTL-WIRE (LIMITED)	A-BA, BC-BF ,BM-B V,B X-BZ CB-CR ,CT,C Z,DB, DD,DF ,DK DN-DP ,DS- EA,E C-EH, EK-ES	1

32-21-21

 ILLUSTRATED PARTS LIST
 01.101 Page 1072J
 Nov 01/05

BOEING
 COMPONENT
 MAINTENANCE MANUAL

FIG. & ITEM	PART NO.	AIRLINE PART NUMBER	NOMENCLATURE 1234567	EFF CODE	QTY PER ASSY
04- -5S	287T6201-22		.PROVISION INSTL-WIRE (LIMITED)	A-BA, BC-BF ,BM-B V,B X-BZ CB-CR ,CT,C Z,DB, DD,DF ,DK DN-DP ,DS- EA,E C-EH, EK-ES	1
-5T	287T6201-23		.PROVISION INSTL-WIRE (LIMITED)	A-BA, BC-BF ,BM-B V,B X-BZ CB-CR ,CT,C Z,DB, DD,DF ,DK DN-DP ,DS- EA,E C-EH, EK-ES	1
-5U	287T6201-24		.PROVISION INSTL-WIRE (LIMITED)	A-BA, BC-BF ,BM-B V,B X-BZ CB-CR ,CT,C Z,DB, DD,DF ,DK DN-DP ,DS- EA,E C-EH, EK-ES	1

32-21-21

ILLUSTRATED PARTS LIST
 01.101 Page 1072K
 Nov 01/05

FIG. & ITEM	PART NO.	AIRLINE PART NUMBER	NOMENCLATURE 1234567	EFF CODE	QTY PER ASSY
04- -5V	287T6201-25		.PROVISION INSTL-WIRE (LIMITED)	A-BA, BC-BF ,BM-B V,B X-BZ CB-CR ,CT,C Z,DB, DD,DF ,DK DN-DP ,DS- EA,E C-EH, EK-ES	1
-5W	287T6201-26		.PROVISION INSTL-WIRE (LIMITED)	A-BA, BC-BF ,BM-B V,B X-BZ CB-CR ,CT,C Z,DB, DD,DF ,DK DN-DP ,DS- EA,E C-EH, EK-ES	1
-5X	287T6201-27		.PROVISION INSTL-WIRE (LIMITED)	A-BA, BC-BF ,BM-B V,B X-BZ CB-CR ,CT,C Z,DB, DD,DF ,DK DN-DP ,DS- EA,E C-EH, EK-ES	1

32-21-21

 ILLUSTRATED PARTS LIST
 01.101 Page 1072L
 Nov 01/05

BOEING
 COMPONENT
 MAINTENANCE MANUAL

FIG. & ITEM	PART NO.	AIRLINE PART NUMBER	NOMENCLATURE 1234567	EFF CODE	QTY PER ASSY
04- -5Y	287T6201-28		.PROVISION INSTL-WIRE (LIMITED)	A-BA, BC-BF ,BM-B V,B X-BZ CB-CR ,CT,C Z,DB, DD,DF ,DK DN-DP ,DS- EA,E C-EH, EK-ES	1
-5Z	287T6201-29		.PROVISION INSTL-WIRE (LIMITED)	A-BA, BC-BF ,BM-B V,B X-BZ CB-CR ,CT,C Z,DB, DD,DF ,DK DN-DP ,DS- EA,E C-EH, EK-ES	1
-6	287T6201-30		.PROVISION INSTL-WIRE (LIMITED)	A-BA, BC-BF ,BM-B V,B X-BZ CB-CR ,CT,C Z,DB, DD,DF ,DK DN-DP ,DS- EA,E C-EH, EK-ES	1

32-21-21

ILLUSTRATED PARTS LIST
 01.101 Page 1072M
 Nov 01/05

FIG. & ITEM	PART NO.	AIRLINE PART NUMBER	NOMENCLATURE 1234567	EFF CODE	QTY PER ASSY
04- -6A	287T6201-31		.PROVISION INSTL-WIRE (LIMITED)	A-BA, BC-BF ,BM-B V,B X-BZ CB-CR ,CT,C Z,DB, DD,DF ,DK DN-DP ,DS- EA,E C-EH, EK-ES	1
10	NAS1801-3-6		..SCREW- (USED ON ITEMS 5A, 5B, 5C, 5D, 5L, 5V, 5Y, 5Z)	A-BA, BC-BF ,BM-B V,B X-BZ CB-CR ,CT,C Z,DB, DD,DF ,DK DN-DP ,DS- EA,E C-EH, EK-ES	4
15	NAS1801-3-7		..SCREW- (USED ON ITEMS 5A, 5B, 5C, 5D, 5L, 5T, 5V, 5X, 5Y, 5Z)	A-BA, BC-BF ,BM-B V,B X-BZ CB-CR ,CT,C Z,DB, DD,DF ,DK DN-DP ,DS- EA,E C-EH, EK-ES	1

32-21-21

 ILLUSTRATED PARTS LIST
 01.101 Page 1072N
 Nov 01/05

BOEING
 COMPONENT
 MAINTENANCE MANUAL

FIG. & ITEM	PART NO.	AIRLINE PART NUMBER	NOMENCLATURE	EFF CODE	QTY PER ASSY
04-20	NAS6603-3		1234567 ..BOLT- (USED ON ITEMS 5A, 5B, 5C, 5D, 5L, 5V, 5Y, 5Z)	A-BA, BC-BF ,BM-B V,B X-BZ CB-CR ,CT,C Z,DB, DD,DF ,DK DN-DP ,DS- EA,E C-EH, EK-ES	2
25	NAS6603-4		..BOLT- (USED ON ITEMS 5A, 5B, 5C, 5D, 5L, 5V, 5Y, 5Z)	A-BA, BC-BF ,BM-B V,B X-BZ CB-CR ,CT,C Z,DB, DD,DF ,DK DN-DP ,DS- EA,E C-EH, EK-ES	3
26	NAS6603-7		..BOLT- (USED ON ITEMS 5A, 5B, 5C, 5D, 5L, 5V, 5Y, 5Z)	A-BA, BC-BF ,BM-B V,B X-BZ CB-CR ,CT,C Z,DB, DD,DF ,DK DN-DP ,DS- EA,E C-EH, EK-ES	2

32-21-21

ILLUSTRATED PARTS LIST
 01.101 Page 10720
 Nov 01/05

FIG. & ITEM	PART NO.	AIRLINE PART NUMBER	NOMENCLATURE 1234567	EFF CODE	QTY PER ASSY
04- 28 28A	AN96OPD10 AN96OJD10		DELETED ..WASHER- (USED ON ITEMS 5A, 5B, 5C, 5D, 5L, 5V, 5Y, 5Z	A-BA, BC-BF ,BM-B V,B X-BZ CB-CR ,CT,C Z,DB, DD,DF ,DK DN-DP ,DS- EA,E C-EH, EK-ES	6
30 30A	H10-3BAC MS21042L3		DELETED ..NUT- (USED ON ITEMS 5A, 5B, 5C, 5D, 5L, 5V, 5Y, 5Z	A-BA, BC-BF ,BM-B V,B X-BZ CB-CR ,CT,C Z,DB, DD,DF ,DK DN-DP ,DS- EA,E C-EH, EK-ES	14

32-21-21

 ILLUSTRATED PARTS LIST
 01.101 Page 1072P
 Nov 01/05


BOEING
 COMPONENT
 MAINTENANCE MANUAL

FIG. & ITEM	PART NO.	AIRLINE PART NUMBER	NOMENCLATURE 1234567	EFF CODE	QTY PER ASSY
04-35	JM44LC13WS20R		..CLAMP- (V22175) (SPEC BACC10GE20) (OPT S369WH20 (V18076)) (OPT TA12C32WS20 (V84971)) (OPT 509S20 (V83930)) (USED ON ITEMS 5A, 5B, 5C, 5D, 5V, 5Y, 5Z)	A-BA, BC-BF ,BM-B V,B X-BZ CB-CR ,CT,C Z,DB, DD,DF ,DK DN-DP ,DS- EA,E C-EH, EK-ES	6
-35A	JM44LC13WS24R		..CLAMP- (V22175) (SPEC BACC10GE24) (OPT S369WH24 (V18076)) (OPT TA12C32WS24 (V84971)) (OPT 509S24 (V83930)) (USED ON ITEM 5L)	A-BA, BC-BF ,BM-B V,B X-BZ CB-CR ,CT,C Z,DB, DD,DF ,DK DN-DP ,DS- EA,E C-EH, EK-ES	6

32-21-21

ILLUSTRATED PARTS LIST

01.101 Page 1072Q

Nov 01/05

FIG. & ITEM	PART NO.	AIRLINE PART NUMBER	NOMENCLATURE 1234567	EFF CODE	QTY PER ASSY
04-40	BACC15AN10		..CLIP- (USED ON ITEMS 5A, 5B, 5C, 5D, 5L, 5V, 5Y, 5Z)	A-BA, BC-BF ,BM-B V,B X-BZ CB-CR ,CT,C Z,DB, DD,DF ,DK DN-DP ,DS- EA,E C-EH, EK-ES	7
45	JM44LC13WS7R		..CLAMP- (V22175) (SPEC BACC10GE7) (OPT S369WH7 (V18076)) (OPT TA12C32WS7 (V84971)) (OPT 509S7 (V83930)) (USED ON ITEMS 5A, 5B, 5C, 5D, 5L, 5V, 5Y, 5Z)	A-BA, BC-BF ,BM-B V,B X-BZ CB-CR ,CT,C Z,DB, DD,DF ,DK DN-DP ,DS- EA,E C-EH, EK-ES	2

32-21-21

 ILLUSTRATED PARTS LIST
 01.101 Page 1072R
 Nov 01/05


BOEING
 COMPONENT
 MAINTENANCE MANUAL

FIG. & ITEM	PART NO.	AIRLINE PART NUMBER	NOMENCLATURE 1234567	EFF CODE	QTY PER ASSY
04-50	JM44LC13WS9R		..CLAMP- (V22175) (SPEC BACC10GE9) (OPT S369WH9 (V18076)) (OPT TA12C32WS9 (V84971)) (OPT 509S9 (V83930)) (USED ON ITEMS 5A, 5B, 5C, 5D, 5L, 5V, 5Y, 5Z)	A-BA, BC-BF ,BM-B V,B X-BZ CB-CR ,CT,C Z,DB, DD,DF ,DK DN-DP ,DS- EA,E C-EH, EK-ES	6
55	BACB19F10		..BLOCK- (USED ON ITEMS 5A, 5B, 5C, 5D, 5L, 5V, 5Y, 5Z)	A-BA, BC-BF ,BM-B V,B X-BZ CB-CR ,CT,C Z,DB, DD,DF ,DK DN-DP ,DS- EA,E C-EH, EK-ES	7

32-21-21

 ILLUSTRATED PARTS LIST
 01.101 Page 1072S
 Nov 01/05

FIG. & ITEM	PART NO.	AIRLINE PART NUMBER	NOMENCLATURE 1234567	EFF CODE	QTY PER ASSY
04-60	MBC68941-780		..CLAMP- (V98625) (SPEC BACC10FY078S) (OPT B06A078S (V10234)) (OPT 3140AB078 (V94581)) (OPT 57490-078 (V98625)) (OPT BC1083-780S (V14242)) (OPT MBC68516-780 (V98625)) (OPT MBC68941-078 (V8W928)) (USED ON ITEMS 5A, 5B, 5C, 5D, 5L, 5V, 5Y, 5Z)	A-BA, BC-BF ,BM-B V,B X-BZ CB-CR ,CT,C Z,DB, DD,DF ,DK DN-DP ,DS- EA,E C-EH, EK-ES	1
65	MBC68941-810		..CLAMP- (V98625) (SPEC BACC10FY081S) (OPT B06A081S (V10234)) (OPT 3140AB081 (V94581)) (OPT 57490-081 (V98625)) (OPT BC1083-810S (V14242)) (OPT MBC68516-810 (V98625)) (OPT MBC68941-081 (V8W928)) (USED ON ITEMS 5A, 5B, 5C, 5D, 5L, 5V, 5Y, 5Z)	A-BA, BC-BF ,BM-B V,B X-BZ CB-CR ,CT,C Z,DB, DD,DF ,DK DN-DP ,DS- EA,E C-EH, EK-ES	1

32-21-21

 ILLUSTRATED PARTS LIST
 01.101 Page 1072T
 Nov 01/05

BOEING
 COMPONENT
 MAINTENANCE MANUAL

FIG. & ITEM	PART NO.	AIRLINE PART NUMBER	NOMENCLATURE	EFF CODE	QTY PER ASSY
04-70	287T6205-12		1234567 ..HARNES ASSY-WIRE (USED ON ITEM 5C) (REF CMM 32-20-51)	A-BA, BC-BF ,BM-B V,B X-BZ CB-CR ,CT,C Z,DB, DD,DF ,DK DN-DP ,DS- EA,E C-EH, EK-ES	1
71	NAS1801-3-7		..SCREW- (USED ON ITEMS 5N, 5W, 6A)	A-BA, BC-BF ,BM-B V,B X-BZ CB-CR ,CT,C Z,DB, DD,DF ,DK DN-DP ,DS- EA,E C-EH, EK-ES	2

32-21-21

ILLUSTRATED PARTS LIST
 01.101 Page 1072U
 Nov 01/05

FIG. & ITEM	PART NO.	AIRLINE PART NUMBER	NOMENCLATURE 1234567	EFF CODE	QTY PER ASSY
04-72	AN960JD10L		..WASHER- (USED ON ITEMS 5N, 5W, 6A)	A-BA, BC-BF ,BM-B V,B X-BZ CB-CR ,CT,C Z,DB, DD,DF ,DK DN-DP ,DS- EA,E C-EH, EK-ES	2
73	MS21042L3		..NUT- (USED ON ITEMS 5N, 5W, 6A)	A-BA, BC-BF ,BM-B V,B X-BZ CB-CR ,CT,C Z,DB, DD,DF ,DK DN-DP ,DS- EA,E C-EH, EK-ES	2
75	NAS1801-3-7		..SCREW- (USED ON ITEMS 5A, 5B)	A-BA, BC-BF ,BM-B V,B X-BZ CB-CR ,CT,C Z,DB, DD,DF ,DK DN-DP ,DS- EA,E C-EH, EK-ES	1

32-21-21

 ILLUSTRATED PARTS LIST
 01.101 Page 1072V
 Nov 01/05

BOEING
 COMPONENT
 MAINTENANCE MANUAL

FIG. & ITEM	PART NO.	AIRLINE PART NUMBER	NOMENCLATURE 1234567	EFF CODE	QTY PER ASSY
04-77	NAS1801-3-6		..SCREW- (USED ON ITEMS 5D, 5T, 5V, 5X, 5Y, 5Z)	A-BA, BC-BF ,BM-B V,B X-BZ CB-CR ,CT,C Z,DB, DD,DF ,DK DN-DP ,DS- EA,E C-EH, EK-ES	2
-77A	BACS12HN3-6		..SCREW- (REPLS ITEM 77)		2
78	NAS1149D0332J		..WASHER		2
79	MS21042L3		..NUT		2
80	H10-3BAC		DELETED		
80A	MS21042L3		..NUT- (USED ON ITEMS 5A, 5B)	A-BA, BC-BF ,BM-B V,B X-BZ CB-CR ,CT,C Z,DB, DD,DF ,DK DN-DP ,DS- EA,E C-EH, EK-ES	1

32-21-21

ILLUSTRATED PARTS LIST
 01.1 Page 1072W
 Nov 01/05

FIG. & ITEM	PART NO.	AIRLINE PART NUMBER	NOMENCLATURE 1234567	EFF CODE	QTY PER ASSY
04-85	JM44LC13WS7R		..CLAMP- (V22175) (SPEC BACC10GE7) (OPT S369WH7 (V18076)) (OPT TA12C32WS7 (V84971)) (OPT 509S7 (V83930)) (USED ON ITEMS 5A, 5B)	A-BA, BC-BF ,BM-B V,B X-BZ CB-CR ,CT,C Z,DB, DD,DF ,DK DN-DP ,DS- EA,E C-EH, EK-ES	1
87	JM44LC13WS10R		..CLAMP- (V22175) (SPEC BACC10GE10) (OPT S369WH10 (V18076)) (OPT TA12C32WS10 (V84971)) (OPT 509S10 (V83930)) (USED ON ITEMS 5D, 5V, 5Y, 5Z)	A-BA, BC-BF ,BM-B V,B X-BZ CB-CR ,CT,C Z,DB, DD,DF ,DK DN-DP ,DS- EA,E C-EH, EK-ES	2
-87A	JM44LC53S106RG		..CLAMP- (V22175) (OPT ITEM 87B) (USED ON ITEMS 5N, 5T, 5W, 5X, 6A)	A-BA, BC-BF ,BM-B V,B X-BZ CB-CR ,CT,C Z,DB, DD,DF ,DK DN-DP ,DS- EA,E C-EH, EK-ES	2

32-21-21

 ILLUSTRATED PARTS LIST
 01.101 Page 1072X
 Nov 01/05

BOEING
 COMPONENT
 MAINTENANCE MANUAL

FIG. & ITEM	PART NO.	AIRLINE PART NUMBER	NOMENCLATURE	EFF CODE	QTY PER ASSY
04-87B	JM44LC39S106RG		1234567 ..CLAMP- (V22175) (SPEC BACC10GU106) (OPT 534CS106 (V83930)) (OPT ITEM 87A) (USED ON ITEMS 5N, 5T, 5W, 5X, 6A)	A-BA, BC-BF ,BM-B V,B X-BZ CB-CR ,CT,C Z,DB, DD,DF ,DK DN-DP ,DS- EA,E C-EH, EK-ES	2
88	NAS603-7P		..SCREW- (USED ON ITEMS 5N, 5W, 6A)	A-BA, BC-BF ,BM-B V,B X-BZ CB-CR ,CT,C Z,DB, DD,DF ,DK DN-DP ,DS- EA,E C-EH, EK-ES	1

32-21-21

ILLUSTRATED PARTS LIST
 01.101 Page 1072Y
 Nov 01/05

FIG. & ITEM	PART NO.	AIRLINE PART NUMBER	NOMENCLATURE	EFF CODE	QTY PER ASSY
04-89	AN960JD10L		1234567 ..WASHER- (USED ON ITEMS 5N, 5W, 6A)	A-BA, BC-BF ,BM-B V,B X-BZ CB-CR ,CT,C Z,DB, DD,DF ,DK DN-DP ,DS- EA,E C-EH, EK-ES	1
90	NAS1801-3-8		..SCREW- (USED ON ITEMS 5G, 5H, 5U)	A-BA, BC-BF ,BM-B V,B X-BZ CB-CR ,CT,C Z,DB, DD,DF ,DK DN-DP ,DS- EA,E C-EH, EK-ES	4

32-21-21

 ILLUSTRATED PARTS LIST
 01.101 Page 1072Z
 Nov 01/05


BOEING
 COMPONENT
 MAINTENANCE MANUAL

FIG. & ITEM	PART NO.	AIRLINE PART NUMBER	NOMENCLATURE 1234567	EFF CODE	QTY PER ASSY
04-92	NAS1801-3-6		..SCREW- (USED ON ITEM 5D)	A-BA, BC-BF ,BM-B V,B X-BZ CB-CR ,CT,C Z,DB, DD,DF ,DK DN-DP ,DS- EA,E C-EH, EK-ES	2
95	NAS1801-3-6		..SCREW- (USED ON ITEMS 5G, 5H, 5U)	A-BA, BC-BF ,BM-B V,B X-BZ CB-CR ,CT,C Z,DB, DD,DF ,DK DN-DP ,DS- EA,E C-EH, EK-ES	2
97	NAS1801-3-7		..SCREW- (USED ON ITEMS 5D, 5T, 5V, 5X, 5Y, 5Z)	A-BA, BC-BF ,BM-B V,B X-BZ CB-CR ,CT,C Z,DB, DD,DF ,DK DN-DP ,DS- EA,E C-EH, EK-ES	3

32-21-21

 ILLUSTRATED PARTS LIST
 01.101 Page 1073
 Nov 01/05

FIG. & ITEM	PART NO.	AIRLINE PART NUMBER	NOMENCLATURE	EFF CODE	QTY PER ASSY
			1234567		
04-98	NAS1801-3-8		..SCREW- (USED ON ITEMS 5D, 5T, 5V, 5X, 5Y, 5Z)	A-BA, BC-BF ,BM-B V,B X-BZ CB-CR ,CT,C Z,DB, DD,DF ,DK DN-DP ,DS- EA,E C-EH, EK-ES	1
100	AN960KD10		DELETED		
100A	AN960PD10		DELETED		
100B	AN960JD10		..WASHER- (USED ON ITEMS 5G, 5H, 5U)	A-BA, BC-BF ,BM-B V,B X-BZ CB-CR ,CT,C Z,DB, DD,DF ,DK DN-DP ,DS- EA,E C-EH, EK-ES	6

32-21-21

 ILLUSTRATED PARTS LIST
 01.101 Page 1074
 Nov 01/05


BOEING
 COMPONENT
 MAINTENANCE MANUAL

FIG. & ITEM	PART NO.	AIRLINE PART NUMBER	NOMENCLATURE 1234567	EFF CODE	QTY PER ASSY
04- 105 105A	H10-3BAC MS21042L3		DELETED ..NUT- (USED ON ITEMS 5G, 5H, 5U)	A-BA, BC-BF ,BM-B V,B X-BZ CB-CR ,CT,C Z,DB, DD,DF ,DK DN-DP ,DS- EA,E C-EH, EK-ES	2
110	JM44SC17SR		..CLAMP- (V22175) (SPEC BACC10GF6CH) (OPT S386CH6 (V18076)) (OPT TA12C34C6 (V84971)) (OPT 512C6 (V83930)) (USED ON ITEMS 5G, 5H, 5U)	A-BA, BC-BF ,BM-B V,B X-BZ CB-CR ,CT,C Z,DB, DD,DF ,DK DN-DP ,DS- EA,E C-EH, EK-ES	2

32-21-21

ILLUSTRATED PARTS LIST

01.101 Page 1074A

Nov 01/05

FIG. & ITEM	PART NO.	AIRLINE PART NUMBER	NOMENCLATURE 1234567	EFF CODE	QTY PER ASSY
04-112	JM44SC17HB10R		..CLAMP- (V22175) (SPEC BACC10GF10C1H) (OPT S387SSH10 (V18076)) (OPT TA12C34H10-1 (V84971)) (OPT 513SS10 (V83930)) (USED ON ITEMS 5G, 5H, 5U)	A-BA, BC-BF ,BM-B V,B X-BZ CB-CR ,CT,C Z,DB, DD,DF ,DK DN-DP ,DS- EA,E C-EH, EK-ES	1
113	JM44LC13WS10R		..CLAMP- (V22175) (SPEC BACC10GE10) (OPT S369WH10 (V18076)) (OPT TA12C32WS10 (V84971)) (OPT 509S10 (V83930)) (USED ON ITEMS 5D, 5V)	A-BA, BC-BF ,BM-B V,B X-BZ CB-CR ,CT,C Z,DB, DD,DF ,DK DN-DP ,DS- EA,E C-EH, EK-ES	4

32-21-21

 ILLUSTRATED PARTS LIST
 01.101 Page 1074B
 Nov 01/05

BOEING
 COMPONENT
 MAINTENANCE MANUAL

FIG. & ITEM	PART NO.	AIRLINE PART NUMBER	NOMENCLATURE	EFF CODE	QTY PER ASSY
04- -113A	JM44LC53S106RG		1234567 ..CLAMP- (V22175) (OPT ITEM 113B) (USED ON ITEMS 5T, 5X)	A-BA, BC-BF ,BM-B V,B X-BZ CB-CR ,CT,C Z,DB, DD,DF ,DK DN-DP ,DS- EA,E C-EH, EK-ES	4
-113B	JM44LC39S106RG		..CLAMP- (V22175) (SPEC BACC10GU106) (OPT 534CS106 (V83930)) (OPT ITEM 113A) (USED ON ITEMS 5T, 5X)	A-BA, BC-BF ,BM-B V,B X-BZ CB-CR ,CT,C Z,DB, DD,DF ,DK DN-DP ,DS- EA,E C-EH, EK-ES	4

32-21-21

ILLUSTRATED PARTS LIST
 01.101 Page 1074C
 Nov 01/05

FIG. & ITEM	PART NO.	AIRLINE PART NUMBER	NOMENCLATURE 1234567	EFF CODE	QTY PER ASSY
04-114	JM44LC13WS11R		..CLAMP- (V22175) (SPEC BACC10GE11) (OPT S369WH11 (V18076)) (OPT TA12C32WS11 (V84971)) (OPT 509S11 (V83930)) (USED ON ITEMS 5D, 5V, 5Y, 5Z)	A-BA, BC-BF ,BM-B V,B X-BZ CB-CR ,CT,C Z,DB, DD,DF ,DK DN-DP ,DS- EA,E C-EH, EK-ES	2
115	287T6205-13		..HARNESS ASSY-WIRE (USED ON ITEM 5A) (REF CMM 32-20-51)	A-BA, BC-BF ,BM-B V,B X-BZ CB-CR ,CT,C Z,DB, DD,DF ,DK DN-DP ,DS- EA,E C-EH, EK-ES	1
-115A	287T6205-19		..HARNESS ASSY-WIRE (USED ON ITEMS 5D, 5V, 5Y, 5Z) (REF CMM 32-20-51)	A-BA, BC-BF ,BM-B V,B X-BZ CB-CR ,CT,C Z,DB, DD,DF ,DK DN-DP ,DS- EA,E C-EH, EK-ES	1

32-21-21

 ILLUSTRATED PARTS LIST
 01.101 Page 1074D
 Nov 01/05

BOEING
 COMPONENT
 MAINTENANCE MANUAL

FIG. & ITEM	PART NO.	AIRLINE PART NUMBER	NOMENCLATURE	EFF CODE	QTY PER ASSY
04- -115B	287T6205-21		1234567 ..HARNESS ASSY-WIRE (USED ON ITEM 5L) (REF CMM 32-20-51)	A-BA, BC-BF ,BM-B V,B X-BZ CB-CR ,CT,C Z,DB, DD,DF ,DK DN-DP ,DS- EA,E C-EH, EK-ES	1
120	287T6205-11		..HARNESS ASSY-WIRE (USED ON ITEM 5A) (REF CMM 32-20-51)	A-BA, BC-BF ,BM-B V,B X-BZ CB-CR ,CT,C Z,DB, DD,DF ,DK DN-DP ,DS- EA,E C-EH, EK-ES	1
-120A	287T6205-20		..HARNESS ASSY-WIRE (USED ON ITEM 5D) (REF CMM 32-20-51)	A-BA, BC-BF ,BM-B V,B X-BZ CB-CR ,CT,C Z,DB, DD,DF ,DK DN-DP ,DS- EA,E C-EH, EK-ES	1

32-21-21

ILLUSTRATED PARTS LIST
 01.101 Page 1074E
 Nov 01/05

FIG. & ITEM	PART NO.	AIRLINE PART NUMBER	NOMENCLATURE 1234567	EFF CODE	QTY PER ASSY
04- -120B	287T6205-31		..HARNESS ASSY-WIRE (USED ON ITEM 5T) (REF CMM 32-20-51)	A-BA, BC-BF ,BM-B V,B X-BZ CB-CR ,CT,C Z,DB, DD,DF ,DK DN-DP ,DS- EA,E C-EH, EK-ES	1
-120C	287T6205-32		..HARNESS ASSY-WIRE (USED ON ITEM 5V) (REF CMM 32-20-51)	A-BA, BC-BF ,BM-B V,B X-BZ CB-CR ,CT,C Z,DB, DD,DF ,DK DN-DP ,DS- EA,E C-EH, EK-ES	1
-120D	287T6205-33		..HARNESS ASSY-WIRE (USED ON ITEM 5X) (REF CMM 32-20-51)	A-BA, BC-BF ,BM-B V,B X-BZ CB-CR ,CT,C Z,DB, DD,DF ,DK DN-DP ,DS- EA,E C-EH, EK-ES	1

32-21-21

 ILLUSTRATED PARTS LIST
 01.101 Page 1074F
 Nov 01/05


BOEING
 COMPONENT
 MAINTENANCE MANUAL

FIG. & ITEM	PART NO.	AIRLINE PART NUMBER	NOMENCLATURE 1234567	EFF CODE	QTY PER ASSY
04- -120E	287T6205-35		..HARNESS ASSY-WIRE (USED ON ITEM 5Y) (REF CMM 32-20-51)	A-BA, BC-BF ,BM-B V,B X-BZ CB-CR ,CT,C Z,DB, DD,DF ,DK DN-DP ,DS- EA,E C-EH, EK-ES	1
-120F	287T6205-36		..HARNESS ASSY-WIRE (USED ON ITEM 5Z) (REF CMM 32-20-51)	A-BA, BC-BF ,BM-B V,B X-BZ CB-CR ,CT,C Z,DB, DD,DF ,DK DN-DP ,DS- EA,E C-EH, EK-ES	1
122	NAS1801-3-9		..SCREW- (USED ON ITEMS 5E, 5F)	A-BA, BC-BF ,BM-B V,B X-BZ CB-CR ,CT,C Z,DB, DD,DF ,DK DN-DP ,DS- EA,E C-EH, EK-ES	2

32-21-21

 ILLUSTRATED PARTS LIST
 01.101 Page 1074G
 Nov 01/05

FIG. & ITEM	PART NO.	AIRLINE PART NUMBER	NOMENCLATURE	EFF CODE	QTY PER ASSY
04-125	NAS1801-3-6		1234567 ..SCREW- (USED ON ITEMS 5E, 5F)	A-BA, BC-BF ,BM-B V,B X-BZ CB-CR ,CT,C Z,DB, DD,DF ,DK DN-DP ,DS- EA,E C-EH, EK-ES	4
127	NAS1801-3-8		..SCREW- (USED ON ITEMS 5E, 5F)	A-BA, BC-BF ,BM-B V,B X-BZ CB-CR ,CT,C Z,DB, DD,DF ,DK DN-DP ,DS- EA,E C-EH, EK-ES	2

32-21-21

 ILLUSTRATED PARTS LIST
 01.101 Page 1074H
 Nov 01/05

BOEING
 COMPONENT
 MAINTENANCE MANUAL

FIG. & ITEM	PART NO.	AIRLINE PART NUMBER	NOMENCLATURE 1234567	EFF CODE	QTY PER ASSY
04- 130 130A	AN960PD10 AN960JD10		DELETED ..WASHER- (USED ON ITEMS 5E, 5F)	A-BA, BC-BF ,BM-B V,B X-BZ CB-CR ,CT,C Z,DB, DD,DF ,DK DN-DP ,DS- EA,E C-EH, EK-ES	6
135 135A	H10-3BAC MS21042L3		DELETED ..NUT- (USED ON ITEMS 5E, 5F)	A-BA, BC-BF ,BM-B V,B X-BZ CB-CR ,CT,C Z,DB, DD,DF ,DK DN-DP ,DS- EA,E C-EH, EK-ES	4

32-21-21

ILLUSTRATED PARTS LIST
 01.101 Page 1074I
 Nov 01/05

FIG. & ITEM	PART NO.	AIRLINE PART NUMBER	NOMENCLATURE 1234567	EFF CODE	QTY PER ASSY
04-140	JM44SC17SR		..CLAMP- (V22175) (SPEC BACC10GF6CH) (OPT S386CH6 (V18076)) (OPT TA12C34C6 (V84971)) (OPT 512C6 (V83930)) (USED ON ITEMS 5E, 5F)	A-BA, BC-BF ,BM-B V,B X-BZ CB-CR ,CT,C Z,DB, DD,DF ,DK DN-DP ,DS- EA,E C-EH, EK-ES	3
142	JM44SC17HB10R		..CLAMP- (V22175) (SPEC BACC10GF10C1H) (OPT S387SSH10 (V18076)) (OPT TA12C34H10-1 (V84971)) (OPT 513SS10 (V83930)) (USED ON ITEMS 5E, 5F)	A-BA, BC-BF ,BM-B V,B X-BZ CB-CR ,CT,C Z,DB, DD,DF ,DK DN-DP ,DS- EA,E C-EH, EK-ES	1

32-21-21

 ILLUSTRATED PARTS LIST
 01.101 Page 1074J
 Nov 01/05

BOEING
 COMPONENT
 MAINTENANCE MANUAL

FIG. & ITEM	PART NO.	AIRLINE PART NUMBER	NOMENCLATURE	EFF CODE	QTY PER ASSY
04-145	287T6205-7		1234567 ..HARNESS ASSY-WIRE (USED ON ITEM 5B) (REF CMM 32-20-51)	A-BA, BC-BF ,BM-B V,B X-BZ CB-CR ,CT,C Z,DB, DD,DF ,DK DN-DP ,DS- EA,E C-EH, EK-ES	1
150	287T6205-14		..HARNESS ASSY-WIRE (USED ON ITEMS 5A, 5B, 5C, 5D, 5L, 5V, 5Y, 5Z) (REF CMM 32-20-51)	A-BA, BC-BF ,BM-B V,B X-BZ CB-CR ,CT,C Z,DB, DD,DF ,DK DN-DP ,DS- EA,E C-EH, EK-ES	1
155	287T6205-10		..HARNESS ASSY-WIRE (USED ON ITEMS 5A, 5B, 5C, 5D, 5L, 5V, 5Y, 5Z) (REF CMM 32-20-51)	A-BA, BC-BF ,BM-B V,B X-BZ CB-CR ,CT,C Z,DB, DD,DF ,DK DN-DP ,DS- EA,E C-EH, EK-ES	1

32-21-21

ILLUSTRATED PARTS LIST
 01.101 Page 1074K
 Nov 01/05

FIG. & ITEM	PART NO.	AIRLINE PART NUMBER	NOMENCLATURE	EFF CODE	QTY PER ASSY
04-160	NAS1801-3-7		1234567 ..SCREW- (USED ON ITEMS 5A, 5B, 5C, 5D, 5T, 5V, 5X, 5Y, 5Z)	A-BA, BC-BF ,BM-B V,B X-BZ CB-CR ,CT,C Z,DB, DD,DF ,DK DN-DP ,DS- EA,E C-EH, EK-ES	2
165	NAS6603-4		..BOLT- (USED ON ITEMS 5A, 5B, 5C, 5D, 5L, 5V, 5Y, 5Z)	A-BA, BC-BF ,BM-B V,B X-BZ CB-CR ,CT,C Z,DB, DD,DF ,DK DN-DP ,DS- EA,E C-EH, EK-ES	4

32-21-21

 ILLUSTRATED PARTS LIST
 01.101 Page 1074L
 Nov 01/05

BOEING
 COMPONENT
 MAINTENANCE MANUAL

FIG. & ITEM	PART NO.	AIRLINE PART NUMBER	NOMENCLATURE 1234567	EFF CODE	QTY PER ASSY
04- 170 170A	AN960PD10 AN960JD10		DELETED ..WASHER- (USED ON ITEMS 5A, 5B, 5C, 5D, 5L, 5V, 5Y, 5Z)	A-BA, BC-BF ,BM-B V,B X-BZ CB-CR ,CT,C Z,DB, DD,DF ,DK DN-DP ,DS- EA,E C-EH, EK-ES	4
175 175A	H10-3BAC MS21042L3		DELETED ..NUT- (USED ON ITEMS 5A, 5B, 5C, 5D, 5L, 5V, 5Y, 5Z)	A-BA, BC-BF ,BM-B V,B X-BZ CB-CR ,CT,C Z,DB, DD,DF ,DK DN-DP ,DS- EA,E C-EH, EK-ES	2

32-21-21

ILLUSTRATED PARTS LIST
 01.101 Page 1074M
 Nov 01/05

FIG. & ITEM	PART NO.	AIRLINE PART NUMBER	NOMENCLATURE	EFF CODE	QTY PER ASSY
			1234567		
04-180	287T6202-44		..ANGLE- (USED ON ITEMS 5A, 5B, 5C, 5D, 5V, 5Y, 5Z)	A-BA, BC-BF ,BM-B V,B X-BZ CB-CR ,CT,C Z,DB, DD,DF ,DK DN-DP ,DS- EA,E C-EH, EK-ES	1
-180A	287T6202-82		..ANGLE- (USED ON ITEM 5L)	A-BA, BC-BF ,BM-B V,B X-BZ CB-CR ,CT,C Z,DB, DD,DF ,DK DN-DP ,DS- EA,E C-EH, EK-ES	1

32-21-21

 ILLUSTRATED PARTS LIST
 01.101 Page 1074N
 Nov 01/05

BOEING
 COMPONENT
 MAINTENANCE MANUAL

FIG. & ITEM	PART NO.	AIRLINE PART NUMBER	NOMENCLATURE	EFF CODE	QTY PER ASSY
04-185	287T6202-7		1234567 ..BRACKET- (USED ON ITEMS 5A, 5B, 5C, 5D, 5L, 5V, 5Y, 5Z)	A-BA, BC-BF ,BM-B V,B X-BZ CB-CR ,CT,C Z,DB, DD,DF ,DK DN-DP ,DS- EA,E C-EH, EK-ES	1
190	287T6202-25		..ANGLE ASSY- (USED ON ITEMS 5A, 5B, 5C, 5D, 5L, 5V, 5Y, 5Z)	A-BA, BC-BF ,BM-B V,B X-BZ CB-CR ,CT,C Z,DB, DD,DF ,DK DN-DP ,DS- EA,E C-EH, EK-ES	2
ATTACHING PARTS					

32-21-21

ILLUSTRATED PARTS LIST
 01.101 Page 10740
 Nov 01/05

FIG. & ITEM	PART NO.	AIRLINE PART NUMBER	NOMENCLATURE	EFF CODE	QTY PER ASSY
			1234567		
04-195	NAS1801-3-9		..SCREW	A-BA, BC-BF ,BM-B V,B X-BZ CB-CR ,CT,C Z,DB, DD,DF ,DK DN-DP ,DS- EA,E C-EH, EK-ES	2
200 200A	AN960PD10L AN960JD10L		DELETED ..WASHER	A-BA, BC-BF ,BM-B V,B X-BZ CB-CR ,CT,C Z,DB, DD,DF ,DK DN-DP ,DS- EA,E C-EH, EK-ES	2

32-21-21

 ILLUSTRATED PARTS LIST
 01.101 Page 1074P
 Nov 01/05

BOEING
 COMPONENT
 MAINTENANCE MANUAL

FIG. & ITEM	PART NO.	AIRLINE PART NUMBER	NOMENCLATURE	EFF CODE	QTY PER ASSY
			1234567		
04- 205 205A	H10-3BAC MS21042L3		DELETED ..NUT	A-BA, BC-BF ,BM-B V,B X-BZ CB-CR ,CT,C Z,DB, DD,DF ,DK DN-DP ,DS- EA,E C-EH, EK-ES	2
210	BACR15BA3AD		-----*----- ...RIVET- (SIZE DETERMINE ON INST)	A-BA, BC-BF ,BM-B V,B X-BZ CB-CR ,CT,C Z,DB, DD,DF ,DK DN-DP ,DS- EA,E C-EH, EK-ES	2

32-21-21

ILLUSTRATED PARTS LIST
 01.101 Page 1074Q
 Nov 01/05

FIG. & ITEM	PART NO.	AIRLINE PART NUMBER	NOMENCLATURE 1234567	EFF CODE	QTY PER ASSY
04-215	287T6202-22		...PLATE	A-BA, BC-BF ,BM-B V,B X-BZ CB-CR ,CT,C Z,DB, DD,DF ,DK DN-DP ,DS- EA,E C-EH, EK-ES	1
220	287T6202-24		...PAD	A-BA, BC-BF ,BM-B V,B X-BZ CB-CR ,CT,C Z,DB, DD,DF ,DK DN-DP ,DS- EA,E C-EH, EK-ES	1
225	287T6202-23		...ANGLE	A-BA, BC-BF ,BM-B V,B X-BZ CB-CR ,CT,C Z,DB, DD,DF ,DK DN-DP ,DS- EA,E C-EH, EK-ES	1

32-21-21

 ILLUSTRATED PARTS LIST
 01.101 Page 1074R
 Nov 01/05

BOEING
 COMPONENT
 MAINTENANCE MANUAL

FIG. & ITEM	PART NO.	AIRLINE PART NUMBER	NOMENCLATURE	EFF CODE	QTY PER ASSY
04-230	287T6202-14		1234567 ..BRACKET ASSY- (USED ON ITEMS 5A, 5B, 5C, 5D, 5L, 5V, 5Y, 5Z)	A-BA, BC-BF ,BM-B V,B X-BZ CB-CR ,CT,C Z,DB, DD,DF ,DK DN-DP ,DS- EA,E C-EH, EK-ES	1
235	NAS6604-3		ATTACHING PARTS ..BOLT	A-BA, BC-BF ,BM-B V,B X-BZ CB-CR ,CT,C Z,DB, DD,DF ,DK DN-DP ,DS- EA,E C-EH, EK-ES	2

32-21-21

ILLUSTRATED PARTS LIST
 01.101 Page 1074S
 Nov 01/05

FIG. & ITEM	PART NO.	AIRLINE PART NUMBER	NOMENCLATURE	EFF CODE	QTY PER ASSY
04- 240 240A	H10-4BAC MS21042L4		1234567 DELETED ..NUT	A-BA, BC-BF ,BM-B V,B X-BZ CB-CR ,CT,C Z,DB, DD,DF ,DK DN-DP ,DS- EA,E C-EH, EK-ES	2
245	NAS6603-2		-----*----- ...BOLT	A-BA, BC-BF ,BM-B V,B X-BZ CB-CR ,CT,C Z,DB, DD,DF ,DK DN-DP ,DS- EA,E C-EH, EK-ES	2

32-21-21

 ILLUSTRATED PARTS LIST
 01.101 Page 1074T
 Nov 01/05

BOEING
 COMPONENT
 MAINTENANCE MANUAL

FIG. & ITEM	PART NO.	AIRLINE PART NUMBER	NOMENCLATURE	EFF CODE	QTY PER ASSY
			1234567		
04-250	BACR15BA3AD		...RIVET- (SIZE DETERMINE ON INST)	A-BA, BC-BF ,BM-B V,B X-BZ CB-CR ,CT,C Z,DB, DD,DF ,DK DN-DP ,DS- EA,E C-EH, EK-ES	4
255	6800D02		...RETAINER- (V80539) (SPEC BACR10G33)	A-BA, BC-BF ,BM-B V,B X-BZ CB-CR ,CT,C Z,DB, DD,DF ,DK DN-DP ,DS- EA,E C-EH, EK-ES	2

32-21-21

ILLUSTRATED PARTS LIST
 01.101 Page 1074U
 Nov 01/05

FIG. & ITEM	PART NO.	AIRLINE PART NUMBER	NOMENCLATURE	EFF CODE	QTY PER ASSY
04-260	287T6202-13		1234567 ...BRACKET	A-BA, BC-BF ,BM-B V,B X-BZ CB-CR ,CT,C Z,DB, DD,DF ,DK DN-DP ,DS- EA,E C-EH, EK-ES	1
265	NAS6604-3		..BOLT- (USED ON ITEMS 5A, 5B, 5C, 5D, 5L, 5V, 5Y, 5Z)	A-BA, BC-BF ,BM-B V,B X-BZ CB-CR ,CT,C Z,DB, DD,DF ,DK DN-DP ,DS- EA,E C-EH, EK-ES	2

32-21-21

 ILLUSTRATED PARTS LIST
 01.101 Page 1074V
 Nov 01/05

BOEING
 COMPONENT
 MAINTENANCE MANUAL

FIG. & ITEM	PART NO.	AIRLINE PART NUMBER	NOMENCLATURE	EFF CODE	QTY PER ASSY
04- 270 270A	H10-4BAC MS21042L4		DELETED ..NUT- (USED ON ITEMS 5A, 5B, 5C, 5D, 5L, 5V, 5Y, 5Z)	A-BA, BC-BF ,BM-B V,B X-BZ CB-CR ,CT,C Z,DB, DD,DF ,DK DN-DP ,DS- EA,E C-EH, EK-ES	2
275	287T6202-17		..BRACKET- (USED ON ITEMS 5A, 5B, 5C, 5D, 5L, 5V, 5Y, 5Z)	A-BA, BC-BF ,BM-B V,B X-BZ CB-CR ,CT,C Z,DB, DD,DF ,DK DN-DP ,DS- EA,E C-EH, EK-ES	1

32-21-21

ILLUSTRATED PARTS LIST
 01.101 Page 1074W
 Nov 01/05

FIG. & ITEM	PART NO.	AIRLINE PART NUMBER	NOMENCLATURE	EFF CODE	QTY PER ASSY
04-277	NAS6603-50		1234567 ..BOLT- (USED ON ITEMS 5H, 5K, 5M, 5U)	A-BA, BC-BF ,BM-B V,B X-BZ CB-CR ,CT,C Z,DB, DD,DF ,DK DN-DP ,DS- EA,E C-EH, EK-ES	2
279	NAS6603-4		..BOLT- (USED ON ITEMS 5H, 5K, 5M, 5U)	A-BA, BC-BF ,BM-B V,B X-BZ CB-CR ,CT,C Z,DB, DD,DF ,DK DN-DP ,DS- EA,E C-EH, EK-ES	1

32-21-21

 ILLUSTRATED PARTS LIST
 01.101 Page 1074X
 Nov 01/05

BOEING
 COMPONENT
 MAINTENANCE MANUAL

FIG. & ITEM	PART NO.	AIRLINE PART NUMBER	NOMENCLATURE	EFF CODE	QTY PER ASSY
04-280	NAS6603-48		..BOLT- (USED ON ITEMS 5E, 5F, 5G, 5H, 5J, 5K, 5M, 5Q, 5U)	A-BA, BC-BF ,BM-B V,B X-BZ CB-CR ,CT,C Z,DB, DD,DF ,DK DN-DP ,DS- EA,E C-EH, EK-ES	2
282	NAS6603-48		..BOLT- (USED ON ITEMS 5E, 5F, 5G, 5J, 5Q)	A-BA, BC-BF ,BM-B V,B X-BZ CB-CR ,CT,C Z,DB, DD,DF ,DK DN-DP ,DS- EA,E C-EH, EK-ES	2
283	AN960C10L		..WASHER- (USED ON ITEMS 5H, 5K, 5M, 5U)	A-BA, BC-BF ,BM-B V,B X-BZ CB-CR ,CT,C Z,DB, DD,DF ,DK DN-DP ,DS- EA,E C-EH, EK-ES	3

32-21-21

ILLUSTRATED PARTS LIST
 01.101 Page 1074Y
 Nov 01/05

FIG. & ITEM	PART NO.	AIRLINE PART NUMBER	NOMENCLATURE	EFF CODE	QTY PER ASSY
04- 285 285A 285B	AN960KD10L AN960PD10L AN960JD10L		1234567 DELETED DELETED ..WASHER- (USED ON ITEMS 5E, 5F, 5G, 5H, 5J, 5K, 5M, 5Q, 5U)	A-BA, BC-BF ,BM-B V,B X-BZ CB-CR ,CT,C Z,DB, DD,DF ,DK DN-DP ,DS- EA,E C-EH, EK-ES	4
287	162T1619-3		..LATCH- (USED ON ITEMS 5H, 5K, 5M, 5U)	A-BA, BC-BF ,BM-B V,B X-BZ CB-CR ,CT,C Z,DB, DD,DF ,DK DN-DP ,DS- EA,E C-EH, EK-ES	1

32-21-21

 ILLUSTRATED PARTS LIST
 01.101 Page 1074Z
 Nov 01/05

BOEING
 COMPONENT
 MAINTENANCE MANUAL

FIG. & ITEM	PART NO.	AIRLINE PART NUMBER	NOMENCLATURE	EFF CODE	QTY PER ASSY
04-290	NAS43DD3-40		1234567 ..SPACER- (USED ON ITEMS 5E, 5F, 5G, 5H, 5J, 5K, 5M, 5Q, 5U)	A-BA, BC-BF ,BM-B V,B X-BZ CB-CR ,CT,C Z,DB, DD,DF ,DK DN-DP ,DS- EA,E C-EH, EK-ES	2
292	NAS43DD3-38		..SPACER- (USED ON ITEMS 5E, 5F, 5G, 5H, 5J, 5K, 5M, 5Q, 5U)	A-BA, BC-BF ,BM-B V,B X-BZ CB-CR ,CT,C Z,DB, DD,DF ,DK DN-DP ,DS- EA,E C-EH, EK-ES	2

32-21-21

ILLUSTRATED PARTS LIST
 01.101 Page 1075
 Nov 01/05

FIG. & ITEM	PART NO.	AIRLINE PART NUMBER	NOMENCLATURE	EFF CODE	QTY PER ASSY
04- 295 295A	H10-3BAC MS21042L3		1234567 DELETED ..NUT- (USED ON ITEMS 5E, 5F, 5G, 5H, 5J, 5K, 5M, 5Q, 5U)	A-BA, BC-BF ,BM-B V,B X-BZ CB-CR ,CT,C Z,DB, DD,DF ,DK DN-DP ,DS- EA,E C-EH, EK-ES	4
300	287T6204-1		..BLOCK- (MFD FROM SH AL 2024T351 F17.04 + F20.02 + SRF14.9813 0.5 X 1.0 X 1.3 QQA250/5) (USED ON ITEMS 5E, 5F, 5G, 5H, 5J, 5K, 5M, 5Q, 5U)	A-BA, BC-BF ,BM-B V,B X-BZ CB-CR ,CT,C Z,DB, DD,DF ,DK DN-DP ,DS- EA,E C-EH, EK-ES	4

32-21-21

 ILLUSTRATED PARTS LIST
 01.101 Page 1076
 Nov 01/05


BOEING
 COMPONENT
 MAINTENANCE MANUAL

FIG. & ITEM	PART NO.	AIRLINE PART NUMBER	NOMENCLATURE 1234567	EFF CODE	QTY PER ASSY
04-305	287T6204-2		..BLOCK- (USED ON ITEMS 5E, 5F, 5G, 5H, 5J, 5K, 5M, 5Q, 5U)	A-BA, BC-BF ,BM-B V,B X-BZ CB-CR ,CT,C Z,DB, DD,DF ,DK DN-DP ,DS- EA,E C-EH, EK-ES	2
307	287T6204-4		..BLOCK- (USED ON ITEMS 5E, 5F, 5G, 5H, 5J, 5K, 5M, 5Q, 5U)	A-BA, BC-BF ,BM-B V,B X-BZ CB-CR ,CT,C Z,DB, DD,DF ,DK DN-DP ,DS- EA,E C-EH, EK-ES	2
310	NAS1801-3-8		..SCREW- (USED ON ITEMS 5A, 5B)	A-BA, BC-BF ,BM-B V,B X-BZ CB-CR ,CT,C Z,DB, DD,DF ,DK DN-DP ,DS- EA,E C-EH, EK-ES	2

32-21-21

 ILLUSTRATED PARTS LIST
 01.101 Page 1076A
 Nov 01/05

FIG. & ITEM	PART NO.	AIRLINE PART NUMBER	NOMENCLATURE 1234567	EFF CODE	QTY PER ASSY
04-312	NAS6603-3		..BOLT- (USED ON ITEMS 5D, 5T, 5V, 5X, 5Y, 5Z)	A-BA, BC-BF ,BM-B V,B X-BZ CB-CR ,CT,C Z,DB, DD,DF ,DK DN-DP ,DS- EA,E C-EH, EK-ES	2
313	NAS1801-3-9		..SCREW- (USED ON ITEMS 5D, 5N, 5R, 5T, 5V, 5W, 5X, 5Y, 5Z, 6A)	A-BA, BC-BF ,BM-B V,B X-BZ CB-CR ,CT,C Z,DB, DD,DF ,DK DN-DP ,DS- EA,E C-EH, EK-ES	1
313G	AN960JD10L		..WASHER- (USED ON ITEMS 5T, 5X)	A-BA, BC-BF ,BM-B V,B X-BZ CB-CR ,CT,C Z,DB, DD,DF ,DK DN-DP ,DS- EA,E C-EH, EK-ES	2

32-21-21

 ILLUSTRATED PARTS LIST
 01.101 Page 1076B
 Nov 01/05


BOEING
 COMPONENT
 MAINTENANCE MANUAL

FIG. & ITEM	PART NO.	AIRLINE PART NUMBER	NOMENCLATURE 1234567	EFF CODE	QTY PER ASSY
04- 314 314A	AN960PD10 AN960JD10		DELETED ..WASHER- (USED ON ITEMS 5D, 5N 5R, 5T, 5V, 5W, 5X, 5Y, 5Z, 6A)	A-BA, BC-BF ,BM-B V,B X-BZ CB-CR ,CT,C Z,DB, DD,DF ,DK DN-DP ,DS- EA,E C-EH, EK-ES	1
315 315A	H10-3BAC MS21042L3		DELETED ..NUT- (USED ON ITEMS 5A, 5B, 5D, 5T, 5V, 5X, 5Y, 5Z)	A-BA, BC-BF ,BM-B V,B X-BZ CB-CR ,CT,C Z,DB, DD,DF ,DK DN-DP ,DS- EA,E C-EH, EK-ES	2

32-21-21

 ILLUSTRATED PARTS LIST
 01.101 Page 1076C
 Nov 01/05

FIG. & ITEM	PART NO.	AIRLINE PART NUMBER	NOMENCLATURE	EFF CODE	QTY PER ASSY
04-317 317A	H10-3BAC MS21042L3		DELETED ..NUT- (USED ON ITEMS 5D, 5N, 5R, 5W, 6A)	A-BA, BC-BF ,BM-B V,B X-BZ CB-CR ,CT,C Z,DB, DD,DF ,DK DN-DP ,DS- EA,E C-EH, EK-ES	1
320	287T6202-8		..PLATE- (USED ON ITEMS 5A, 5B)	A-BA, BC-BF ,BM-B V,B X-BZ CB-CR ,CT,C Z,DB, DD,DF ,DK DN-DP ,DS- EA,E C-EH, EK-ES	1

32-21-21

 ILLUSTRATED PARTS LIST
 01.101 Page 1076D
 Nov 01/05


BOEING
 COMPONENT
 MAINTENANCE MANUAL

FIG. & ITEM	PART NO.	AIRLINE PART NUMBER	NOMENCLATURE 1234567	EFF CODE	QTY PER ASSY
04-322	287T6202-63		..PLATE- (USED ON ITEMS 5D, 5T, 5V, 5X, 5Y, 5Z)	A-BA, BC-BF ,BM-B V,B X-BZ CB-CR ,CT,C Z,DB, DD,DF ,DK DN-DP ,DS- EA,E C-EH, EK-ES	1
323	JM44LC39S106RG		..CLAMP- (V22175) (SPEC BACC10GU106) (OPT 534CS106 (V83930)) (OPT ITEM 323A) (USED ON ITEMS 5D, 5N, 5R, 5T, 5V, 5W, 5X, 5Y, 5Z, 6A)	A-BA, BC-BF ,BM-B V,B X-BZ CB-CR ,CT,C Z,DB, DD,DF ,DK DN-DP ,DS- EA,E C-EH, EK-ES	1

32-21-21

 ILLUSTRATED PARTS LIST
 01.101 Page 1076E
 Nov 01/05

FIG. & ITEM	PART NO.	AIRLINE PART NUMBER	NOMENCLATURE 1234567	EFF CODE	QTY PER ASSY
04- -323A	JM44LC53S106RG		..CLAMP- (V22175) (OPT ITEM 323) (USED ON ITEMS 5D, 5N, 5R, 5T, 5V, 5W, 5X, 5Y, 5Z, 6A)	A-BA, BC-BF ,BM-B V,B X-BZ CB-CR ,CT,C Z,DB, DD,DF ,DK DN-DP ,DS- EA,E C-EH, EK-ES	1
325	NAS1801-04-4		..SCREW- (USED ON ITEMS 5D, 5G, 5H, 5J, 5K, 5U, 5V, 5Y, 5Z)	A-BA, BC-BF ,BM-B V,B X-BZ CB-CR ,CT,C Z,DB, DD,DF ,DK DN-DP ,DS- EA,E C-EH, EK-ES	4
-325A	NAS1801-04-6		..SCREW- (USED ON ITEM 5S)	A-BA, BC-BF ,BM-B V,B X-BZ CB-CR ,CT,C Z,DB, DD,DF ,DK DN-DP ,DS- EA,E C-EH, EK-ES	4

32-21-21

 ILLUSTRATED PARTS LIST
 01.101 Page 1076F
 Nov 01/05

BOEING
 COMPONENT
 MAINTENANCE MANUAL

FIG. & ITEM	PART NO.	AIRLINE PART NUMBER	NOMENCLATURE	EFF CODE	QTY PER ASSY
04-330	H10-04BAC		1234567 ..NUT- (V15653) (SPEC BACN10JC04) (OPT NS202101-40 (V80539)) (OPT RMLH9075-40W (V72962)) (OPT T6S440J (V11815)) (OPT VN303A40 (V92215)) (OPT 96-40 (V80539)) (OPT BRH10A04 (V52828)) (USED ON ITEMS 5D, 5G, 5H, 5J, 5K, 5U, 5V, 5Y, 5Z)	A-BA, BC-BF ,BM-B V,B X-BZ CB-CR ,CT,C Z,DB, DD,DF ,DK DN-DP ,DS- EA,E C-EH, EK-ES	4
-330A	MS21042L4		..NUT- (USED ON ITEM 5S)	A-BA, BC-BF ,BM-B V,B X-BZ CB-CR ,CT,C Z,DB, DD,DF ,DK DN-DP ,DS- EA,E C-EH, EK-ES	4

32-21-21

ILLUSTRATED PARTS LIST
 01.101 Page 1076G
 Nov 01/05

FIG. & ITEM	PART NO.	AIRLINE PART NUMBER	NOMENCLATURE	EFF CODE	QTY PER ASSY
04-332	AN960JD4		..WASHER- (USED ON ITEM 5S)	A-BA, BC-BF ,BM-B V,B X-BZ CB-CR ,CT,C Z,DB, DD,DF ,DK DN-DP ,DS- EA,E C-EH, EK-ES	4
335	NAS1801-3-6		..SCREW- (USED ON ITEMS 5G, 5H, 5U)	A-BA, BC-BF ,BM-B V,B X-BZ CB-CR ,CT,C Z,DB, DD,DF ,DK DN-DP ,DS- EA,E C-EH, EK-ES	4

32-21-21

 ILLUSTRATED PARTS LIST
 01.101 Page 1076H
 Nov 01/05

BOEING
 COMPONENT
 MAINTENANCE MANUAL

FIG. & ITEM	PART NO.	AIRLINE PART NUMBER	NOMENCLATURE	EFF CODE	QTY PER ASSY
04-337	NAS6603-3		1234567 ..BOLT- (USED ON ITEMS 5D, 5S, 5V, 5Y, 5Z)	A-BA, BC-BF ,BM-B V,B X-BZ CB-CR ,CT,C Z,DB, DD,DF ,DK DN-DP ,DS- EA,E C-EH, EK-ES	2
338	NAS6603-2		..BOLT- (USED ON ITEMS 5D, 5S, 5V, 5Y, 5Z)	A-BA, BC-BF ,BM-B V,B X-BZ CB-CR ,CT,C Z,DB, DD,DF ,DK DN-DP ,DS- EA,E C-EH, EK-ES	2

32-21-21

ILLUSTRATED PARTS LIST
 01.101 Page 1076I
 Nov 01/05

FIG. & ITEM	PART NO.	AIRLINE PART NUMBER	NOMENCLATURE	EFF CODE	QTY PER ASSY
			1234567		
04- 340 340A 340B	AN960KD10L AN960PD10L AN960JD10L		DELETED DELETED ..WASHER- (USED ON ITEMS 5G, 5H, 5U)	A-BA, BC-BF ,BM-B V,B X-BZ CB-CR ,CT,C Z,DB, DD,DF ,DK DN-DP ,DS- EA,E C-EH, EK-ES	2
341 341A	AN960PD10 AN960JD10		DELETED ..WASHER- (USED ON ITEMS 5D, 5S, 5V, 5Y, 5Z)	A-BA, BC-BF ,BM-B V,B X-BZ CB-CR ,CT,C Z,DB, DD,DF ,DK DN-DP ,DS- EA,E C-EH, EK-ES	2

32-21-21

 ILLUSTRATED PARTS LIST
 01.101 Page 1076J
 Nov 01/05


BOEING
 COMPONENT
 MAINTENANCE MANUAL

FIG. & ITEM	PART NO.	AIRLINE PART NUMBER	NOMENCLATURE 1234567	EFF CODE	QTY PER ASSY
04- 342 342A	AN960PD10 AN960JD10		DELETED ..WASHER- (USED ON ITEMS 5G, 5H, 5U)	A-BA, BC-BF ,BM-B V,B X-BZ CB-CR ,CT,C Z,DB, DD,DF ,DK DN-DP ,DS- EA,E C-EH, EK-ES	2
343 343A	AN960PD10L AN960JD10L		DELETED ..WASHER- (USED ON ITEMS 5D, 5S, 5V, 5Y, 5Z)	A-BA, BC-BF ,BM-B V,B X-BZ CB-CR ,CT,C Z,DB, DD,DF ,DK DN-DP ,DS- EA,E C-EH, EK-ES	2

32-21-21

ILLUSTRATED PARTS LIST

01.101 Page 1076K

Nov 01/05

FIG. & ITEM	PART NO.	AIRLINE PART NUMBER	NOMENCLATURE	EFF CODE	QTY PER ASSY
04-345	287T6202-20		1234567 ..ANGLE- (USED ON ITEMS 5G, 5H, 5U)	A-BA, BC-BF ,BM-B V,B X-BZ CB-CR ,CT,C Z,DB, DD,DF ,DK DN-DP ,DS- EA,E C-EH, EK-ES	1
347	287T6202-62		..BRACKET- (USED ON ITEMS 5D, 5S, 5V, 5Y, 5Z)	A-BA, BC-BF ,BM-B V,B X-BZ CB-CR ,CT,C Z,DB, DD,DF ,DK DN-DP ,DS- EA,E C-EH, EK-ES	1

32-21-21

 ILLUSTRATED PARTS LIST
 01.101 Page 1076L
 Nov 01/05

BOEING
 COMPONENT
 MAINTENANCE MANUAL

FIG. & ITEM	PART NO.	AIRLINE PART NUMBER	NOMENCLATURE	EFF CODE	QTY PER ASSY
04-350 350A	287T6202-21 287T6202-47		DELETED ..BRACKET- (USED ON ITEMS 5G, 5H, 5U)	A-BA, BC-BF ,BM-B V,B X-BZ CB-CR ,CT,C Z,DB, DD,DF ,DK DN-DP ,DS- EA,E C-EH, EK-ES	1
352	287T6202-64		..BRACKET ASSY- (USED ON ITEMS 5D, 5S, 5V, 5Y, 5Z)	A-BA, BC-BF ,BM-B V,B X-BZ CB-CR ,CT,C Z,DB, DD,DF ,DK DN-DP ,DS- EA,E C-EH, EK-ES	1

32-21-21

ILLUSTRATED PARTS LIST
 01.101 Page 1076M
 Nov 01/05

FIG. & ITEM	PART NO.	AIRLINE PART NUMBER	NOMENCLATURE	EFF CODE	QTY PER ASSY
04-353	BACR15BA3AD		1234567 ...RIVET- (SIZE DETERMINE ON INST)	A-BA, BC-BF ,BM-B V,B X-BZ CB-CR ,CT,C Z,DB, DD,DF ,DK DN-DP ,DS- EA,E C-EH, EK-ES	4
353G	BRM100A3		...NUTPLATE- (V52828) (SPEC BACN10JP3B) (OPT MK2000-3BAC (V15653)) (OPT NS103198-02 (V80539)) (OPT RMA9207-3 (V72962)) (OPT T8077S1032 (V11815)) (OPT VN201A1-02 (V92215))	A-BA, BC-BF ,BM-B V,B X-BZ CB-CR ,CT,C Z,DB, DD,DF ,DK DN-DP ,DS- EA,E C-EH, EK-ES	2

32-21-21

 ILLUSTRATED PARTS LIST
 01.101 Page 1076N
 Nov 01/05

BOEING
 COMPONENT
 MAINTENANCE MANUAL

FIG. & ITEM	PART NO.	AIRLINE PART NUMBER	NOMENCLATURE	EFF CODE	QTY PER ASSY
04-354	287T6202-65		1234567 ...BRACKET	A-BA, BC-BF ,BM-B V,B X-BZ CB-CR ,CT,C Z,DB, DD,DF ,DK DN-DP ,DS- EA,E C-EH, EK-ES	1
355	NAS6603-2		..BOLT- (USED ON ITEM 5G)	A-BA, BC-BF ,BM-B V,B X-BZ CB-CR ,CT,C Z,DB, DD,DF ,DK DN-DP ,DS- EA,E C-EH, EK-ES	2

32-21-21

ILLUSTRATED PARTS LIST
 01.101 Page 10760
 Nov 01/05

FIG. & ITEM	PART NO.	AIRLINE PART NUMBER	NOMENCLATURE 1234567	EFF CODE	QTY PER ASSY
04-360	AN960C10L		..WASHER- (USED ON ITEM 5G)	A-BA, BC-BF ,BM-B V,B X-BZ CB-CR ,CT,C Z,DB, DD,DF ,DK DN-DP ,DS- EA,E C-EH, EK-ES	2
365 365A	162T1612-1 162T1612-2		DELETED ..LATCH ASSY-SPR (USED ON ITEM 5G)	A-BA, BC-BF ,BM-B V,B X-BZ CB-CR ,CT,C Z,DB, DD,DF ,DK DN-DP ,DS- EA,E C-EH, EK-ES	1

32-21-21

 ILLUSTRATED PARTS LIST
 01.101 Page 1076P
 Nov 01/05

BOEING
 COMPONENT
 MAINTENANCE MANUAL

FIG. & ITEM	PART NO.	AIRLINE PART NUMBER	NOMENCLATURE	EFF CODE	QTY PER ASSY
			1234567		
04-366	BACR15CE5M		...RIVET- (SIZE DETERMINE ON INST)	A-BA, BC-BF ,BM-B V,B X-BZ CB-CR ,CT,C Z,DB, DD,DF ,DK DN-DP ,DS- EA,E C-EH, EK-ES	2
367	162T1612-3		...PLATE-CATCH	A-BA, BC-BF ,BM-B V,B X-BZ CB-CR ,CT,C Z,DB, DD,DF ,DK DN-DP ,DS- EA,E C-EH, EK-ES	1

32-21-21

ILLUSTRATED PARTS LIST
 01.101 Page 1076Q
 Nov 01/05

FIG. & ITEM	PART NO.	AIRLINE PART NUMBER	NOMENCLATURE	EFF CODE	QTY PER ASSY
04-368	162T1612-1		1234567 ...LATCH-SPR	A-BA, BC-BF ,BM-B V,B X-BZ CB-CR ,CT,C Z,DB, DD,DF ,DK DN-DP ,DS- EA,E C-EH, EK-ES	1
370 370A	287T6202-27 287T6202-46		DELETED ..BRACKET ASSY- (USED ON ITEMS 5G, 5H, 5U)	A-BA, BC-BF ,BM-B V,B X-BZ CB-CR ,CT,C Z,DB, DD,DF ,DK DN-DP ,DS- EA,E C-EH, EK-ES	1

32-21-21

 ILLUSTRATED PARTS LIST
 01.101 Page 1076R
 Nov 01/05

BOEING
 COMPONENT
 MAINTENANCE MANUAL

FIG. & ITEM	PART NO.	AIRLINE PART NUMBER	NOMENCLATURE 1234567	EFF CODE	QTY PER ASSY
04-372	287T6202-54		..BRACKET ASSY- (USED ON ITEMS 5J, 5K)	A-BA, BC-BF ,BM-B V,B X-BZ CB-CR ,CT,C Z,DB, DD,DF ,DK DN-DP ,DS- EA,E C-EH, EK-ES	1
375	BACR15BA3AD		...RIVET- (SIZE DETERMINE ON INST)	A-BA, BC-BF ,BM-B V,B X-BZ CB-CR ,CT,C Z,DB, DD,DF ,DK DN-DP ,DS- EA,E C-EH, EK-ES	8
377	BACR15BA3AD		...RIVET- (SIZE DETERMINE ON INST) (USED ON ITEM 370A)	A-BA, BC-BF ,BM-B V,B X-BZ CB-CR ,CT,C Z,DB, DD,DF ,DK DN-DP ,DS- EA,E C-EH, EK-ES	4

32-21-21

ILLUSTRATED PARTS LIST
 01.101 Page 1076S
 Nov 01/05

FIG. & ITEM	PART NO.	AIRLINE PART NUMBER	NOMENCLATURE 1234567	EFF CODE	QTY PER ASSY
04-378	BACR15BA3AD		...RIVET- (SIZE DETERMINE ON INST) (USED ON ITEM 372)	A-BA, BC-BF ,BM-B V,B X-BZ CB-CR ,CT,C Z,DB, DD,DF ,DK DN-DP ,DS- EA,E C-EH, EK-ES	4
380	BRFM20A3		...NUTPLATE- (V52828) (SPEC BACN10JN3) (OPT MF1000-3BAC (V15653)) (OPT NS103218-02 (V80539)) (OPT RMF9201M3 (V72962)) (OPT VN252A02 (V92215)) (OPT MF1000-3BAC (V15653)) (OPT MF53049-3 (V15653))	A-BA, BC-BF ,BM-B V,B X-BZ CB-CR ,CT,C Z,DB, DD,DF ,DK DN-DP ,DS- EA,E C-EH, EK-ES	4

32-21-21

 ILLUSTRATED PARTS LIST
 01.101 Page 1076T
 Nov 01/05


BOEING
 COMPONENT
 MAINTENANCE MANUAL

FIG. & ITEM	PART NO.	AIRLINE PART NUMBER	NOMENCLATURE 1234567	EFF CODE	QTY PER ASSY
04-382	BRFM20A3		...NUTPLATE- (V52828) (SPEC BACN10JN3) (OPT MF1000-3BAC (V15653)) (OPT NS103218-02 (V80539)) (OPT RMF9201M3 (V72962)) (OPT VN252A02 (V92215)) (OPT MF1000-3BAC (V15653)) (OPT MF53049-3 (V15653)) (USED ON ITEM 370)	A-BA, BC-BF ,BM-B V,B X-BZ CB-CR ,CT,C Z,DB, DD,DF ,DK DN-DP ,DS- EA,E C-EH, EK-ES	2
383	BRFM20A3		...NUTPLATE- (V52828) (SPEC BACN10JN3) (OPT MF1000-3BAC (V15653)) (OPT NS103218-02 (V80539)) (OPT RMF9201M3 (V72962)) (OPT VN252A02 (V92215)) (OPT MF1000-3BAC (V15653)) (OPT MF53049-3 (V15653)) (USED ON ITEM 372)	A-BA, BC-BF ,BM-B V,B X-BZ CB-CR ,CT,C Z,DB, DD,DF ,DK DN-DP ,DS- EA,E C-EH, EK-ES	2

32-21-21

 ILLUSTRATED PARTS LIST
 01.101 Page 1076U
 Nov 01/05

FIG. & ITEM	PART NO.	AIRLINE PART NUMBER	NOMENCLATURE	EFF CODE	QTY PER ASSY
04-385	287T6202-2		1234567 ...BRACKET	A-BA, BC-BF ,BM-B V,B X-BZ CB-CR ,CT,C Z,DB, DD,DF ,DK DN-DP ,DS- EA,E C-EH, EK-ES	1
387	287T6202-55		...BRACKET- (USED ON ITEM 372)	A-BA, BC-BF ,BM-B V,B X-BZ CB-CR ,CT,C Z,DB, DD,DF ,DK DN-DP ,DS- EA,E C-EH, EK-ES	1

32-21-21

 ILLUSTRATED PARTS LIST
 01.101 Page 1076V
 Nov 01/05

BOEING
 COMPONENT
 MAINTENANCE MANUAL

FIG. & ITEM	PART NO.	AIRLINE PART NUMBER	NOMENCLATURE	EFF CODE	QTY PER ASSY
04-390	NAS6606-10		1234567 ..BOLT- (USED ON ITEMS 5D, 5G, 5H, 5N, 5R, 5T, 5U, 5V, 5W, 5X, 5Y, 5Z, 6A)	A-BA, BC-BF ,BM-B V,B X-BZ CB-CR ,CT,C Z,DB, DD,DF ,DK DN-DP ,DS- EA,E C-EH, EK-ES	1
395	AN960KD616L		DELETED		
395A	AN960PD616L		DELETED		
395B	AN960JD616L		..WASHER- (USED ON ITEMS 5D, 5G, 5H, 5N, 5R, 5T, 5U, 5V, 5W, 5X, 5Y, 5Z, 6A)	A-BA, BC-BF ,BM-B V,B X-BZ CB-CR ,CT,C Z,DB, DD,DF ,DK DN-DP ,DS- EA,E C-EH, EK-ES	1

32-21-21

ILLUSTRATED PARTS LIST
 01.101 Page 1076W
 Nov 01/05

FIG. & ITEM	PART NO.	AIRLINE PART NUMBER	NOMENCLATURE	EFF CODE	QTY PER ASSY
			1234567		
04-400	NAS6603-6		..BOLT- (USED ON ITEMS 5D, 5G, 5H, 5N, 5R, 5T, 5U, 5V, 5W, 5X, 5Y, 5Z, 6A)	A-BA, BC-BF ,BM-B V,B X-BZ CB-CR ,CT,C Z,DB, DD,DF ,DK DN-DP ,DS- EA,E C-EH, EK-ES	2
405	AN960KD10		DELETED		
405A	AN960PD10		DELETED		
405B	AN960JD10		..WASHER- (USED ON ITEMS 5D, 5G, 5H, 5N, 5R, 5T, 5U, 5V, 5W, 5X, 5Y, 5Z, 6A)	A-BA, BC-BF ,BM-B V,B X-BZ CB-CR ,CT,C Z,DB, DD,DF ,DK DN-DP ,DS- EA,E C-EH, EK-ES	2

32-21-21

 ILLUSTRATED PARTS LIST
 01.101 Page 1076X
 Nov 01/05

BOEING
 COMPONENT
 MAINTENANCE MANUAL

FIG. & ITEM	PART NO.	AIRLINE PART NUMBER	NOMENCLATURE	EFF CODE	QTY PER ASSY
04- 410 410A	H10-3BAC MS21042L3		DELETED ..NUT- (USED ON ITEMS 5D, 5G, 5H, 5N, 5R, 5T, 5U, 5V, 5W, 5X, 5Y, 5Z, 6A)	A-BA, BC-BF ,BM-B V,B X-BZ CB-CR ,CT,C Z,DB, DD,DF ,DK DN-DP ,DS- EA,E C-EH, EK-ES	2
415	287T6202-40		..PLATE- (USED ON ITEMS 5G, 5H)	A-BA, BC-BF ,BM-B V,B X-BZ CB-CR ,CT,C Z,DB, DD,DF ,DK DN-DP ,DS- EA,E C-EH, EK-ES	1

32-21-21

ILLUSTRATED PARTS LIST
 01.101 Page 1076Y
 Nov 01/05

FIG. & ITEM	PART NO.	AIRLINE PART NUMBER	NOMENCLATURE	EFF CODE	QTY PER ASSY
04-415A	287T6202-61		1234567 ..PLATE- (USED ON ITEMS 5D, 5N, 5R, 5T, 5U, 5V, 5W, 5X) 5Y, 5Z, 6A)	A-BA, BC-BF ,BM-B V,B X-BZ CB-CR ,CT,C Z,DB, DD,DF ,DK DN-DP ,DS- EA,E C-EH, EK-ES	1
420	NAS6604-7		..BOLT- (USED ON ITEMS 5D, 5G, 5H, 5N, 5R, 5T, 5U, 5V, 5W, 5X, 5Y, 5Z, 6A)	A-BA, BC-BF ,BM-B V,B X-BZ CB-CR ,CT,C Z,DB, DD,DF ,DK DN-DP ,DS- EA,E C-EH, EK-ES	1

32-21-21

 ILLUSTRATED PARTS LIST
 01.101 Page 1076Z
 Nov 01/05

BOEING
 COMPONENT
 MAINTENANCE MANUAL

FIG. & ITEM	PART NO.	AIRLINE PART NUMBER	NOMENCLATURE	EFF CODE	QTY PER ASSY
04- 425 425A 425B	AN960KD416L AN960PD416L AN960JD416L		1234567 DELETED DELETED ..WASHER- (USED ON ITEMS 5D, 5G, 5H, 5T, 5U, 5V, 5X, 5Y, 5Z)	A-BA, BC-BF ,BM-B V,B X-BZ CB-CR ,CT,C Z,DB, DD,DF ,DK DN-DP ,DS- EA,E C-EH, EK-ES	1
430	287T6204-3		..SPACER- (MFD FROM SH AL 2024T3 F18.06 0.2 X 0.8 X 1.6 SRF14.9813 QQA250/5) (USED ON ITEMS 5D, 5G, 5H, 5N, 5R, 5T, 5U, 5V, 5W, 5X, 5Y, 5Z, 6A)	A-BA, BC-BF ,BM-B V,B X-BZ CB-CR ,CT,C Z,DB, DD,DF ,DK DN-DP ,DS- EA,E C-EH, EK-ES	1

32-21-21

ILLUSTRATED PARTS LIST
 01.101 Page 1077
 Nov 01/05

FIG. & ITEM	PART NO.	AIRLINE PART NUMBER	NOMENCLATURE	EFF CODE	QTY PER ASSY
			1234567		
04-435	287T6202-39		..PAD ASSY- (LIMITED) (USED ON ITEMS 5D, 5G, 5H, 5N, 5T)	A-BA, BC-BF ,BM-B V,B X-BZ CB-CR ,CT,C Z,DB, DD,DF ,DK DN-DP ,DS- EA,E C-EH, EK-ES	1
-435A	287T6202-39		..PAD ASSY- (OPT ITEM 435C) (USED ON ITEMS 5R, 5U, 5V, 5W, 5X, 5Z)	A-BA, BC-BF ,BM-B V,B X-BZ CB-CR ,CT,C Z,DB, DD,DF ,DK DN-DP ,DS- EA,E C-EH, EK-ES	1

32-21-21

 ILLUSTRATED PARTS LIST
 01.101 Page 1078
 Nov 01/05


BOEING
 COMPONENT
 MAINTENANCE MANUAL

FIG. & ITEM	PART NO.	AIRLINE PART NUMBER	NOMENCLATURE	EFF CODE	QTY PER ASSY
04- -435B	287T6202-95		1234567 ..PAD ASSY- (USED ON ITEMS 5Y, 6A)	A-BA, BC-BF ,BM-B V,B X-BZ CB-CR ,CT,C Z,DB, DD,DF ,DK DN-DP ,DS- EA,E C-EH, EK-ES	1
-435C	287T6202-95		..PAD ASSY- (OPT ITEM 435A) (USED ON ITEMS 5R, 5U, 5V, 5W, 5X, 5Z)	A-BA, BC-BF ,BM-B V,B X-BZ CB-CR ,CT,C Z,DB, DD,DF ,DK DN-DP ,DS- EA,E C-EH, EK-ES	1

32-21-21

 ILLUSTRATED PARTS LIST
 01.101 Page 1078A
 Nov 01/05

FIG. & ITEM	PART NO.	AIRLINE PART NUMBER	NOMENCLATURE	EFF CODE	QTY PER ASSY
04-			1234567		
440	NAS1801-3-11		ATTACHING PARTS ..SCREW- (USED ON ITEMS 5D, 5G, 5H, 5N, 5R, 5T, 5U, 5V, 5W, 5X, 5Y, 5Z, 6A)	A-BA, BC-BF ,BM-B V,B X-BZ CB-CR ,CT,C Z,DB, DD,DF ,DK DN-DP ,DS- EA,E C-EH, EK-ES	2
445	AN96OKD10		DELETED		
445A	AN96OPD10		DELETED		
445B	AN970-3		..WASHER- (USED WITH ITEM 440 ON ITEMS 5D, 5N, 5R, 5T, 5U, 5V, 5W, 5X, 5Y, 5Z, 6A)	A-BA, BC-BF ,BM-B V,B X-BZ CB-CR ,CT,C Z,DB, DD,DF ,DK DN-DP ,DS- EA,E C-EH, EK-ES	2

32-21-21

 ILLUSTRATED PARTS LIST
 01.101 Page 1078B
 Nov 01/05

BOEING
 COMPONENT
 MAINTENANCE MANUAL

FIG. & ITEM	PART NO.	AIRLINE PART NUMBER	NOMENCLATURE	EFF CODE	QTY PER ASSY
04-445C	AN960JD10		1234567 ..WASHER- (USED WITH ITEM 440 ON ITEMS 5G, 5H)	A-BA, BC-BF ,BM-B V,B X-BZ CB-CR ,CT,C Z,DB, DD,DF ,DK DN-DP ,DS- EA,E C-EH, EK-ES	2
450	287T6202-38		-----*----- ...PAD- (USED WITH ITEMS 435, 435A)	A-BA, BC-BF ,BM-B V,B X-BZ CB-CR ,CT,C Z,DB, DD,DF ,DK DN-DP ,DS- EA,E C-EH, EK-ES	1

32-21-21

ILLUSTRATED PARTS LIST
 01.101 Page 1078C
 Nov 01/05

FIG. & ITEM	PART NO.	AIRLINE PART NUMBER	NOMENCLATURE	EFF CODE	QTY PER ASSY
04-450A	287T6202-93		1234567 ...PAD- (USED WITH ITEMS 435B, 435C)	A-BA, BC-BF ,BM-B V,B X-BZ CB-CR ,CT,C Z,DB, DD,DF ,DK DN-DP ,DS- EA,E C-EH, EK-ES	1
455	287T6202-37		...BRACKET- (USED WITH ITEMS 435, 435A)	A-BA, BC-BF ,BM-B V,B X-BZ CB-CR ,CT,C Z,DB, DD,DF ,DK DN-DP ,DS- EA,E C-EH, EK-ES	1

32-21-21

 ILLUSTRATED PARTS LIST
 01.101 Page 1078D
 Nov 01/05


BOEING
 COMPONENT
 MAINTENANCE MANUAL

FIG. & ITEM	PART NO.	AIRLINE PART NUMBER	NOMENCLATURE	EFF CODE	QTY PER ASSY
04- -455A	287T6202-94		1234567 ...BRACKET- (USED WITH ITEMS 435B, 435C)	A-BA, BC-BF ,BM-B V,B X-BZ CB-CR ,CT,C Z,DB, DD,DF ,DK DN-DP ,DS- EA,E C-EH, EK-ES	1
460	287T6202-30		..CHANNEL ASSY- (USED ON ITEMS 5G, 5H)	A-BA, BC-BF ,BM-B V,B X-BZ CB-CR ,CT,C Z,DB, DD,DF ,DK DN-DP ,DS- EA,E C-EH, EK-ES	1
-460A	287T6202-58		..CHANNEL ASSY- (USED ON ITEMS 5D, 5N, 5R, 5T, 5U, 5V, 5W, 5X, 5Y, 5Z, 6A)	A-BA, BC-BF ,BM-B V,B X-BZ CB-CR ,CT,C Z,DB, DD,DF ,DK DN-DP ,DS- EA,E C-EH, EK-ES	1

32-21-21

 ILLUSTRATED PARTS LIST
 01.101 Page 1078E
 Nov 01/05

FIG. & ITEM	PART NO.	AIRLINE PART NUMBER	NOMENCLATURE	EFF CODE	QTY PER ASSY
04- 465	NAS1801-3-8		1234567 ATTACHING PARTS ..SCREW- (USED WITH ITEM 460)	A-BA, BC-BF ,BM-B V,B X-BZ CB-CR ,CT,C Z,DB, DD,DF ,DK DN-DP ,DS- EA,E C-EH, EK-ES	5
-467	NAS603-7P		..SCREW- (USED WITH ITEM 460A)	A-BA, BC-BF ,BM-B V,B X-BZ CB-CR ,CT,C Z,DB, DD,DF ,DK DN-DP ,DS- EA,E C-EH, EK-ES	2

32-21-21

 ILLUSTRATED PARTS LIST
 01.101 Page 1078F
 Nov 01/05

BOEING
 COMPONENT
 MAINTENANCE MANUAL

FIG. & ITEM	PART NO.	AIRLINE PART NUMBER	NOMENCLATURE	EFF CODE	QTY PER ASSY
04-468	NAS1801-3-7		1234567 ..SCREW- (USED WITH ITEM 460A ON ITEMS 5N, 5R, 5T, 5V, 5W, 5X, 5Y, 5Z, 6A)	A-BA, BC-BF ,BM-B V,B X-BZ CB-CR ,CT,C Z,DB, DD,DF ,DK DN-DP ,DS- EA,E C-EH, EK-ES	3
-468A	NAS1801-3-8		..SCREW- (USED WITH ITEM 460A ON ITEM 5U)	A-BA, BC-BF ,BM-B V,B X-BZ CB-CR ,CT,C Z,DB, DD,DF ,DK DN-DP ,DS- EA,E C-EH, EK-ES	3

32-21-21

ILLUSTRATED PARTS LIST
 01.101 Page 1078G
 Nov 01/05

FIG. & ITEM	PART NO.	AIRLINE PART NUMBER	NOMENCLATURE	EFF CODE	QTY PER ASSY
			1234567		
04- 470 470A -470B 470C	AN960KD10 AN960PD10 AN960PD10L AN960JD10		DELETED DELETED DELETED ..WASHER- (USED WITH ITEM 460)	A-BA, BC-BF ,BM-B V,B X-BZ CB-CR ,CT,C Z,DB, DD,DF ,DK DN-DP ,DS- EA,E C-EH, EK-ES	5
-470D	AN960JD10L		..WASHER- (USED WITH ITEM 460A)	A-BA, BC-BF ,BM-B V,B X-BZ CB-CR ,CT,C Z,DB, DD,DF ,DK DN-DP ,DS- EA,E C-EH, EK-ES	5
			-----*		

32-21-21

 ILLUSTRATED PARTS LIST
 01.101 Page 1078H
 Nov 01/05


BOEING
 COMPONENT
 MAINTENANCE MANUAL

FIG. & ITEM	PART NO.	AIRLINE PART NUMBER	NOMENCLATURE 1234567	EFF CODE	QTY PER ASSY
04- 472 473 475	BACR15BA3AD T8124S3S BACR15BA3AD		DELETED DELETED ...RIVET- (SIZE DETERMINE ON INST)	A-BA, BC-BF ,BM-B V,B X-BZ CB-CR ,CT,C Z,DB, DD,DF ,DK DN-DP ,DS- EA,E C-EH, EK-ES	14
480	BRFM20A3		...NUTPLATE- (V52828) (SPEC BACN10JN3) (OPT MF1000-3BAC (V15653)) (OPT NS103218-02 (V80539)) (OPT RMF9201M3 (V72962)) (OPT VN252A02 (V92215)) (OPT MF1000-3BAC (V15653)) (OPT MF53049-3 (V15653))	A-BA, BC-BF ,BM-B V,B X-BZ CB-CR ,CT,C Z,DB, DD,DF ,DK DN-DP ,DS- EA,E C-EH, EK-ES	7

32-21-21

ILLUSTRATED PARTS LIST

01.101 Page 1078I

Nov 01/05

FIG. & ITEM	PART NO.	AIRLINE PART NUMBER	NOMENCLATURE	EFF CODE	QTY PER ASSY
			1234567		
04-485	287T6202-31		...CHANNEL- (USED ON ITEM 460)	A-BA, BC-BF ,BM-B V,B X-BZ CB-CR ,CT,C Z,DB, DD,DF ,DK DN-DP ,DS- EA,E C-EH, EK-ES	1
-485A	287T6202-59		...CHANNEL- (USED ON ITEM 460A)	A-BA, BC-BF ,BM-B V,B X-BZ CB-CR ,CT,C Z,DB, DD,DF ,DK DN-DP ,DS- EA,E C-EH, EK-ES	1

32-21-21

 ILLUSTRATED PARTS LIST
 01.101 Page 1078J
 Nov 01/05

BOEING
 COMPONENT
 MAINTENANCE MANUAL

FIG. & ITEM	PART NO.	AIRLINE PART NUMBER	NOMENCLATURE	EFF CODE	QTY PER ASSY
04-486	287T6202-66		1234567 ..RECEPTACLE ASSY-DUMMY (USED ON ITEMS 5D, 55T, 5V, 5X, 5Y, 5Z)	A-BA, BC-BF ,BM-B V,B X-BZ CB-CR ,CT,C Z,DB, DD,DF ,DK DN-DP ,DS- EA,E C-EH, EK-ES	1
486E	NAS6603-2		ATTACHING PARTS ..BOLT	A-BA, BC-BF ,BM-B V,B X-BZ CB-CR ,CT,C Z,DB, DD,DF ,DK DN-DP ,DS- EA,E C-EH, EK-ES	2

32-21-21

ILLUSTRATED PARTS LIST
 01.101 Page 1078K
 Nov 01/05

FIG. & ITEM	PART NO.	AIRLINE PART NUMBER	NOMENCLATURE 1234567	EFF CODE	QTY PER ASSY
04- 486K 486L	AN960PD10L AN960JD10L		DELETED ..WASHER	A-BA, BC-BF ,BM-B V,B X-BZ CB-CR ,CT,C Z,DB, DD,DF ,DK DN-DP ,DS- EA,E C-EH, EK-ES	2
486M 486P 486Q	BACR15BB4AD MS27296-3 NAS1801-04-5		DELETED DELETED ...SCREW	A-BA, BC-BF ,BM-B V,B X-BZ CB-CR ,CT,C Z,DB, DD,DF ,DK DN-DP ,DS- EA,E C-EH, EK-ES	4

32-21-21

 ILLUSTRATED PARTS LIST
 01.101 Page 1078L
 Nov 01/05

BOEING
 COMPONENT
 MAINTENANCE MANUAL

FIG. & ITEM	PART NO.	AIRLINE PART NUMBER	NOMENCLATURE	EFF CODE	QTY PER ASSY
04-486R	AN960JD4L		1234567 ...WASHER	A-BA, BC-BF ,BM-B V,B X-BZ CB-CR ,CT,C Z,DB, DD,DF ,DK DN-DP ,DS- EA,E C-EH, EK-ES	4
486S	MS21042L04		...NUT	A-BA, BC-BF ,BM-B V,B X-BZ CB-CR ,CT,C Z,DB, DD,DF ,DK DN-DP ,DS- EA,E C-EH, EK-ES	4

32-21-21

ILLUSTRATED PARTS LIST
 01.101 Page 1078M
 Nov 01/05

FIG. & ITEM	PART NO.	AIRLINE PART NUMBER	NOMENCLATURE	EFF CODE	QTY PER ASSY
			1234567		
04- 486U 486V	287T6202-67 MS27296-3		DELETED ...RECEPTACLE	A-BA, BC-BF ,BM-B V,B X-BZ CB-CR ,CT,C Z,DB, DD,DF ,DK DN-DP ,DS- EA,E C-EH, EK-ES	1
486X	287T6202-67		...ANGLE	A-BA, BC-BF ,BM-B V,B X-BZ CB-CR ,CT,C Z,DB, DD,DF ,DK DN-DP ,DS- EA,E C-EH, EK-ES	1

32-21-21

 ILLUSTRATED PARTS LIST
 01.101 Page 1078N
 Nov 01/05

BOEING
 COMPONENT
 MAINTENANCE MANUAL

FIG. & ITEM	PART NO.	AIRLINE PART NUMBER	NOMENCLATURE	EFF CODE	QTY PER ASSY
04-487	287T6202-56		1234567 ..CHANNEL ASSY- (USED ON ITEMS 5D, 5N, 5R, 5T, 5U, 5V, 5W, 5X, 5Y, 5Z, 6A)	A-BA, BC-BF ,BM-B V,B X-BZ CB-CR ,CT,C Z,DB, DD,DF ,DK DN-DP ,DS- EA,E C-EH, EK-ES	1
487E	NAS6603-3		..BOLT	A-BA, BC-BF ,BM-B V,B X-BZ CB-CR ,CT,C Z,DB, DD,DF ,DK DN-DP ,DS- EA,E C-EH, EK-ES	4
487K	AN960PD10		DELETED		

32-21-21

ILLUSTRATED PARTS LIST
 01.101 Page 10780
 Nov 01/05

FIG. & ITEM	PART NO.	AIRLINE PART NUMBER	NOMENCLATURE	EFF CODE	QTY PER ASSY
04-487L	AN960JD10		..WASHER	A-BA, BC-BF ,BM-B V,B X-BZ CB-CR ,CT,C Z,DB, DD,DF ,DK DN-DP ,DS- EA,E C-EH, EK-ES	4
488	BACR15BA3AD		-----*----- ...RIVET- (SIZE DETERMINE ON INST)	A-BA, BC-BF ,BM-B V,B X-BZ CB-CR ,CT,C Z,DB, DD,DF ,DK DN-DP ,DS- EA,E C-EH, EK-ES	8

32-21-21

 ILLUSTRATED PARTS LIST
 01.101 Page 1078P
 Nov 01/05

BOEING
 COMPONENT
 MAINTENANCE MANUAL

FIG. & ITEM	PART NO.	AIRLINE PART NUMBER	NOMENCLATURE	EFF CODE	QTY PER ASSY
			1234567		
04-488E	BRFM20A3		...NUTPLATE- (V52828) (SPEC BACN10JN3) (OPT MF1000-3BAC (V15653)) (OPT NS103218-02 (V80539)) (OPT RMF9201M3 (V72962)) (OPT VN252A02 (V92215)) (OPT MF1000-3BAC (V15653)) (OPT MF53049-3 (V15653))	A-BA, BC-BF ,BM-B V,B X-BZ CB-CR ,CT,C Z,DB, DD,DF ,DK DN-DP ,DS- EA,E C-EH, EK-ES	4
488K 488L	BACR15BA4AD BACR15BA3AD		DELETED ...RIVET- (SIZE DETERMINE ON INST)	A-BA, BC-BF ,BM-B V,B X-BZ CB-CR ,CT,C Z,DB, DD,DF ,DK DN-DP ,DS- EA,E C-EH, EK-ES	2

32-21-21

ILLUSTRATED PARTS LIST
 01.101 Page 1078Q
 Nov 01/05

FIG. & ITEM	PART NO.	AIRLINE PART NUMBER	NOMENCLATURE 1234567	EFF CODE	QTY PER ASSY
04-488P	F5000-4BAC		...NUTPLATE- (V15653) (SPEC BACN10JR4F) (OPT NS103203-048 (V80539)) (OPT RMF9201-4 (V72962)) (OPT T8091S428 (V11815)) (OPT VN152A1-048 (V92215)) (OPT BRF200A4 (V52828))	A-BA, BC-BF ,BM-B V,B X-BZ CB-CR ,CT,C Z,DB, DD,DF ,DK DN-DP ,DS- EA,E C-EH, EK-ES	1
489	287T6202-57		...CHANNEL	A-BA, BC-BF ,BM-B V,B X-BZ CB-CR ,CT,C Z,DB, DD,DF ,DK DN-DP ,DS- EA,E C-EH, EK-ES	1
490	287T6202-41		..BRACKET ASSY-STOP (USED ON ITEMS 5G, 5H)	A-BA, BC-BF ,BM-B V,B X-BZ CB-CR ,CT,C Z,DB, DD,DF ,DK DN-DP ,DS- EA,E C-EH, EK-ES	1

32-21-21

 ILLUSTRATED PARTS LIST
 01.101 Page 1078R
 Nov 01/05


BOEING
 COMPONENT
 MAINTENANCE MANUAL

FIG. & ITEM	PART NO.	AIRLINE PART NUMBER	NOMENCLATURE 1234567	EFF CODE	QTY PER ASSY
04- -490A	287T6202-51		..BRACKET ASSY-STOP (USED ON ITEMS 5D, 5T, 5V, 5X)	A-BA, BC-BF ,BM-B V,B X-BZ CB-CR ,CT,C Z,DB, DD,DF ,DK DN-DP ,DS- EA,E C-EH, EK-ES	1
-490B	287T6202-83		..BRACKET ASSY-STOP (USED ON ITEMS 5N, 5R, 5W, 6A)	A-BA, BC-BF ,BM-B V,B X-BZ CB-CR ,CT,C Z,DB, DD,DF ,DK DN-DP ,DS- EA,E C-EH, EK-ES	1
-490C	287T6202-86		..BRACKET ASSY-STOP (USED ON ITEM 5U)	A-BA, BC-BF ,BM-B V,B X-BZ CB-CR ,CT,C Z,DB, DD,DF ,DK DN-DP ,DS- EA,E C-EH, EK-ES	1

32-21-21

 ILLUSTRATED PARTS LIST
 01.101 Page 1078S
 Nov 01/05

FIG. & ITEM	PART NO.	AIRLINE PART NUMBER	NOMENCLATURE 1234567	EFF CODE	QTY PER ASSY
04-492	BACR15BA3AD		...RIVET- (SIZE DETERMINE ON INST) (USED ON ITEM 490C)	A-BA, BC-BF ,BM-B V,B X-BZ CB-CR ,CT,C Z,DB, DD,DF ,DK DN-DP ,DS- EA,E C-EH, EK-ES	2
493	BRFM20A3		...NUTPLATE- (V52828) (SPEC BACN10JN3) (OPT MF1000-3BAC (V15653)) (OPT NS103218-02 (V80539)) (OPT RMF9201M3 (V72962)) (OPT VN252A02 (V92215)) (OPT MF1000-3BAC (V15653)) (OPT MF53049-3 (V15653)) (USED ON ITEM 490C)	A-BA, BC-BF ,BM-B V,B X-BZ CB-CR ,CT,C Z,DB, DD,DF ,DK DN-DP ,DS- EA,E C-EH, EK-ES	1

32-21-21

 ILLUSTRATED PARTS LIST
 01.101 Page 1078T
 Nov 01/05

BOEING
 COMPONENT
 MAINTENANCE MANUAL

FIG. & ITEM	PART NO.	AIRLINE PART NUMBER	NOMENCLATURE	EFF CODE	QTY PER ASSY
04-495	287T6202-32		1234567 ...ANGLE ASSY- (USED ON ITEMS 490, 490C)	A-BA, BC-BF ,BM-B V,B X-BZ CB-CR ,CT,C Z,DB, DD,DF ,DK DN-DP ,DS- EA,E C-EH, EK-ES	1
500	BACR15BB6AD		ATTACHING PARTS ...RIVET- (SIZE DETERMINE ON INST) (USED ON ITEM 490)	A-BA, BC-BF ,BM-B V,B X-BZ CB-CR ,CT,C Z,DB, DD,DF ,DK DN-DP ,DS- EA,E C-EH, EK-ES	2

-----*

32-21-21

ILLUSTRATED PARTS LIST
 01.101 Page 1078U
 Nov 01/05

FIG. & ITEM	PART NO.	AIRLINE PART NUMBER	NOMENCLATURE	EFF CODE	QTY PER ASSY
04-505	BACR15BA3AD		1234567RIVET- (SIZE DETERMINE ON INST)	A-BA, BC-BF ,BM-B V,B X-BZ CB-CR ,CT,C Z,DB, DD,DF ,DK DN-DP ,DS- EA,E C-EH, EK-ES	2
510	BRFM20A3	NUTPLATE- (V52828) (SPEC BACN10JN3) (OPT MF1000-3BAC (V15653)) (OPT NS103218-02 (V80539)) (OPT RMF9201M3 (V72962)) (OPT VN252A02 (V92215)) (OPT MF1000-3BAC (V15653)) (OPT MF53049-3 (V15653))	A-BA, BC-BF ,BM-B V,B X-BZ CB-CR ,CT,C Z,DB, DD,DF ,DK DN-DP ,DS- EA,E C-EH, EK-ES	1

32-21-21

 ILLUSTRATED PARTS LIST
 01.101 Page 1078V
 Nov 01/05

BOEING
 COMPONENT
 MAINTENANCE MANUAL

FIG. & ITEM	PART NO.	AIRLINE PART NUMBER	NOMENCLATURE	EFF CODE	QTY PER ASSY
04-515	287T6202-33		1234567ANGLE	A-BA, BC-BF ,BM-B V,B X-BZ CB-CR ,CT,C Z,DB, DD,DF ,DK DN-DP ,DS- EA,E C-EH, EK-ES	1
520	287T6202-42		...CHANNEL ASSY	A-BA, BC-BF ,BM-B V,B X-BZ CB-CR ,CT,C Z,DB, DD,DF ,DK DN-DP ,DS- EA,E C-EH, EK-ES	1

32-21-21

ILLUSTRATED PARTS LIST
 01.101 Page 1078W
 Nov 01/05

FIG. & ITEM	PART NO.	AIRLINE PART NUMBER	NOMENCLATURE 1234567	EFF CODE	QTY PER ASSY
04- 525	BACR15BB6AD		ATTACHING PARTS ...RIVET- (SIZE DETERMINE ON INST)	A-BA, BC-BF ,BM-B V,B X-BZ CB-CR ,CT,C Z,DB, DD,DF ,DK DN-DP ,DS- EA,E C-EH, EK-ES	4
530	BACR15BA4AD		-----*-----RIVET- (SIZE DETERMINE ON INST)	A-BA, BC-BF ,BM-B V,B X-BZ CB-CR ,CT,C Z,DB, DD,DF ,DK DN-DP ,DS- EA,E C-EH, EK-ES	2

32-21-21

 ILLUSTRATED PARTS LIST
 01.101 Page 1078X
 Nov 01/05

BOEING
 COMPONENT
 MAINTENANCE MANUAL

FIG. & ITEM	PART NO.	AIRLINE PART NUMBER	NOMENCLATURE	EFF CODE	QTY PER ASSY
04-535	BRF200A6		1234567NUTPLATE- (V52828) (SPEC BACN10JR6F) (OPT NS103203-064 (V80539)) (OPT RMF9201-6 (V72962)) (OPT T8093C624 (V11815)) (OPT VN152A1-064 (V92215)) (OPT F5000-6BAC (V15653))	A-BA, BC-BF ,BM-B V,B X-BZ CB-CR ,CT,C Z,DB, DD,DF ,DK DN-DP ,DS- EA,E C-EH, EK-ES	1
540	287T6202-43	FILLER	A-BA, BC-BF ,BM-B V,B X-BZ CB-CR ,CT,C Z,DB, DD,DF ,DK DN-DP ,DS- EA,E C-EH, EK-ES	1

32-21-21

ILLUSTRATED PARTS LIST
 01.101 Page 1078Y
 Nov 01/05

FIG. & ITEM	PART NO.	AIRLINE PART NUMBER	NOMENCLATURE 1234567	EFF CODE	QTY PER ASSY
04-545	287T6202-35	CHANNEL	A-BA, BC-BF ,BM-B V,B X-BZ CB-CR ,CT,C Z,DB, DD,DF ,DK DN-DP ,DS- EA,E C-EH, EK-ES	1
546	287T6202-78		...CHANNEL ASSY- (USED ON ITEM 490B)	A-BA, BC-BF ,BM-B V,B X-BZ CB-CR ,CT,C Z,DB, DD,DF ,DK DN-DP ,DS- EA,E C-EH, EK-ES	1
547	BACR15BA3AD	RIVET- (SIZE DETERMINE ON INST)	A-BA, BC-BF ,BM-B V,B X-BZ CB-CR ,CT,C Z,DB, DD,DF ,DK DN-DP ,DS- EA,E C-EH, EK-ES	14

32-21-21

 ILLUSTRATED PARTS LIST
 01.101 Page 1078Z
 Nov 01/05

BOEING
 COMPONENT
 MAINTENANCE MANUAL

FIG. & ITEM	PART NO.	AIRLINE PART NUMBER	NOMENCLATURE	EFF CODE	QTY PER ASSY
04-548	BRFM20A3		1234567NUTPLATE- (V52828) (SPEC BACN10JN3) (OPT MF1000-3BAC (V15653)) (OPT NS103218-02 (V80539)) (OPT RMF9201M3 (V72962)) (OPT VN252A02 (V92215)) (OPT MF1000-3BAC (V15653)) (OPT MF53049-3 (V15653))	A-BA, BC-BF ,BM-B V,B X-BZ CB-CR ,CT,C Z,DB, DD,DF ,DK DN-DP ,DS- EA,E C-EH, EK-ES	7
549	287T6202-79	CHANNEL	A-BA, BC-BF ,BM-B V,B X-BZ CB-CR ,CT,C Z,DB, DD,DF ,DK DN-DP ,DS- EA,E C-EH, EK-ES	1

32-21-21

ILLUSTRATED PARTS LIST
 01.101 Page 1079
 Nov 01/05

FIG. & ITEM	PART NO.	AIRLINE PART NUMBER	NOMENCLATURE	EFF CODE	QTY PER ASSY
			1234567		
04-550	287T6202-34		...CHANNEL ASSY- (USED ON ITEM 490)	A-BA, BC-BF ,BM-B V,B X-BZ CB-CR ,CT,C Z,DB, DD,DF ,DK DN-DP ,DS- EA,E C-EH, EK-ES	1
555	BACR15BB6AD		ATTACHING PARTS ...RIVET- (SIZE DETERMINE ON INST) (USED ON ITEM 490)	A-BA, BC-BF ,BM-B V,B X-BZ CB-CR ,CT,C Z,DB, DD,DF ,DK DN-DP ,DS- EA,E C-EH, EK-ES	4
			-----*		

32-21-21

 ILLUSTRATED PARTS LIST
 01.101 Page 1080
 Nov 01/05


BOEING
 COMPONENT
 MAINTENANCE MANUAL

FIG. & ITEM	PART NO.	AIRLINE PART NUMBER	NOMENCLATURE 1234567	EFF CODE	QTY PER ASSY
04-560	BACR15BA3AD	RIVET- (SIZE DETERMINE ON INST)	A-BA, BC-BF ,BM-B V,B X-BZ CB-CR ,CT,C Z,DB, DD,DF ,DK DN-DP ,DS- EA,E C-EH, EK-ES	2
565	F5000-4BAC	NUTPLATE- (V15653) (SPEC BACN10JR4F) (OPT NS103203-048 (V80539)) (OPT RMF9201-4 (V72962)) (OPT T8091S428 (V11815)) (OPT VN152A1-048 (V92215)) (OPT BRF200A4 (V52828))	A-BA, BC-BF ,BM-B V,B X-BZ CB-CR ,CT,C Z,DB, DD,DF ,DK DN-DP ,DS- EA,E C-EH, EK-ES	1

32-21-21

 ILLUSTRATED PARTS LIST
 01.101 Page 1080A
 Nov 01/05

FIG. & ITEM	PART NO.	AIRLINE PART NUMBER	NOMENCLATURE 1234567	EFF CODE	QTY PER ASSY
04-570	287T6202-35	CHANNEL	A-BA, BC-BF ,BM-B V,B X-BZ CB-CR ,CT,C Z,DB, DD,DF ,DK DN-DP ,DS- EA,E C-EH, EK-ES	1
571	287T6202-85		...CHANNEL ASSY- (USED ON ITEM 490C)	A-BA, BC-BF ,BM-B V,B X-BZ CB-CR ,CT,C Z,DB, DD,DF ,DK DN-DP ,DS- EA,E C-EH, EK-ES	1
572	BACR15BA3AD	RIVET- (SIZE DETERMINE ON INST)	A-BA, BC-BF ,BM-B V,B X-BZ CB-CR ,CT,C Z,DB, DD,DF ,DK DN-DP ,DS- EA,E C-EH, EK-ES	4

32-21-21

 ILLUSTRATED PARTS LIST
 01.101 Page 1080B
 Nov 01/05

BOEING
 COMPONENT
 MAINTENANCE MANUAL

FIG. & ITEM	PART NO.	AIRLINE PART NUMBER	NOMENCLATURE	EFF CODE	QTY PER ASSY
04-573	BRFM20A3		1234567NUTPLATE- (V52828) (SPEC BACN10JN3) (OPT MF1000-3BAC (V15653)) (OPT NS103218-02 (V80539)) (OPT RMF9201M3 (V72962)) (OPT VN252A02 (V92215)) (OPT MF1000-3BAC (V15653)) (OPT MF53049-3 (V15653))	A-BA, BC-BF ,BM-B V,B X-BZ CB-CR ,CT,C Z,DB, DD,DF ,DK DN-DP ,DS- EA,E C-EH, EK-ES	2
574	287T6202-84	CHANNEL	A-BA, BC-BF ,BM-B V,B X-BZ CB-CR ,CT,C Z,DB, DD,DF ,DK DN-DP ,DS- EA,E C-EH, EK-ES	1
575	BACR15BB6AD		...RIVET- (SIZE DETERMINE ON INST)	A-BA, BC-BF ,BM-B V,B X-BZ CB-CR ,CT,C Z,DB, DD,DF ,DK DN-DP ,DS- EA,E C-EH, EK-ES	4

32-21-21

ILLUSTRATED PARTS LIST
 01.101 Page 1080C
 Nov 01/05

FIG. & ITEM	PART NO.	AIRLINE PART NUMBER	NOMENCLATURE	EFF CODE	QTY PER ASSY
04-580	287T6202-36		1234567 ...BRACKET	A-BA, BC-BF ,BM-B V,B X-BZ CB-CR ,CT,C Z,DB, DD,DF ,DK DN-DP ,DS- EA,E C-EH, EK-ES	1
585 586	BACR15BB4AD NAS1801-04-5		DELETED ...SCREW- (USED ON ITEMS 490, 490C)	A-BA, BC-BF ,BM-B V,B X-BZ CB-CR ,CT,C Z,DB, DD,DF ,DK DN-DP ,DS- EA,E C-EH, EK-ES	4

32-21-21

 ILLUSTRATED PARTS LIST
 01.101 Page 1080D
 Nov 01/05

BOEING
 COMPONENT
 MAINTENANCE MANUAL

FIG. & ITEM	PART NO.	AIRLINE PART NUMBER	NOMENCLATURE	EFF CODE	QTY PER ASSY
04-587	AN960JD4L		1234567 ...WASHER- (USED ON ITEMS 490, 490C)	A-BA, BC-BF ,BM-B V,B X-BZ CB-CR ,CT,C Z,DB, DD,DF ,DK DN-DP ,DS- EA,E C-EH, EK-ES	4
588	MS21042L04		...NUT- (USED ON ITEMS 490, 490C)	A-BA, BC-BF ,BM-B V,B X-BZ CB-CR ,CT,C Z,DB, DD,DF ,DK DN-DP ,DS- EA,E C-EH, EK-ES	4

32-21-21

ILLUSTRATED PARTS LIST
 01.101 Page 1080E
 Nov 01/05

FIG. & ITEM	PART NO.	AIRLINE PART NUMBER	NOMENCLATURE 1234567	EFF CODE	QTY PER ASSY
04-590	MS27296-2		...RECEPTACLE- (USED ON ITEM 490)	A-BA, BC-BF ,BM-B V,B X-BZ CB-CR ,CT,C Z,DB, DD,DF ,DK DN-DP ,DS- EA,E C-EH, EK-ES	1
-590A	MS27296-2		...RECEPTACLE- (OPT ITEM 590B) (USED ON ITEM 490C)	A-BA, BC-BF ,BM-B V,B X-BZ CB-CR ,CT,C Z,DB, DD,DF ,DK DN-DP ,DS- EA,E C-EH, EK-ES	1
-590B	M83723-61-112A		...RECEPTACLE- (OPT ITEM 590A) (USED ON ITEM 490C)	A-BA, BC-BF ,BM-B V,B X-BZ CB-CR ,CT,C Z,DB, DD,DF ,DK DN-DP ,DS- EA,E C-EH, EK-ES	1

32-21-21

 ILLUSTRATED PARTS LIST
 01.101 Page 1080F
 Nov 01/05

BOEING
 COMPONENT
 MAINTENANCE MANUAL

FIG. & ITEM	PART NO.	AIRLINE PART NUMBER	NOMENCLATURE	EFF CODE	QTY PER ASSY
04-595	287T6202-28		1234567 ...CHANNEL ASSY- (USED ON ITEM 490)	A-BA, BC-BF ,BM-B V,B X-BZ CB-CR ,CT,C Z,DB, DD,DF ,DK DN-DP ,DS- EA,E C-EH, EK-ES	1
597	287T6202-52		...CHANNEL ASSY- (USED ON ITEM 490A)	A-BA, BC-BF ,BM-B V,B X-BZ CB-CR ,CT,C Z,DB, DD,DF ,DK DN-DP ,DS- EA,E C-EH, EK-ES	1

32-21-21

ILLUSTRATED PARTS LIST
 01.101 Page 1080G
 Nov 01/05

FIG. & ITEM	PART NO.	AIRLINE PART NUMBER	NOMENCLATURE	EFF CODE	QTY PER ASSY
04-600	BACR15BA3AD		1234567RIVET- (SIZE DETERMINE ON INST) (USED ON ITEM 595)	A-BA, BC-BF ,BM-B V,B X-BZ CB-CR ,CT,C Z,DB, DD,DF ,DK DN-DP ,DS- EA,E C-EH, EK-ES	6
602	BACR15BA3AD	RIVET- (SIZE DETERMINE ON INST) (USED ON ITEM 597)	A-BA, BC-BF ,BM-B V,B X-BZ CB-CR ,CT,C Z,DB, DD,DF ,DK DN-DP ,DS- EA,E C-EH, EK-ES	12

32-21-21

 ILLUSTRATED PARTS LIST
 01.101 Page 1080H
 Nov 01/05


BOEING
 COMPONENT
 MAINTENANCE MANUAL

FIG. & ITEM	PART NO.	AIRLINE PART NUMBER	NOMENCLATURE 1234567	EFF CODE	QTY PER ASSY
04-605	BRFM20A3	NUTPLATE- (V52828) (SPEC BACN10JN3) (OPT MF1000-3BAC (V15653)) (OPT NS103218-02 (V80539)) (OPT RMF9201M3 (V72962)) (OPT VN252A02 (V92215)) (OPT MF1000-3BAC (V15653)) (OPT MF53049-3 (V15653)) (USED ON ITEM 595)	A-BA, BC-BF ,BM-B V,B X-BZ CB-CR ,CT,C Z,DB, DD,DF ,DK DN-DP ,DS- EA,E C-EH, EK-ES	3
607	BRFM20A3	NUTPLATE- (V52828) (SPEC BACN10JN3) (OPT MF1000-3BAC (V15653)) (OPT NS103218-02 (V80539)) (OPT RMF9201M3 (V72962)) (OPT VN252A02 (V92215)) (OPT MF1000-3BAC (V15653)) (OPT MF53049-3 (V15653)) (USED ON ITEM 597)	A-BA, BC-BF ,BM-B V,B X-BZ CB-CR ,CT,C Z,DB, DD,DF ,DK DN-DP ,DS- EA,E C-EH, EK-ES	3
608	BRM300A3		DELETED		

32-21-21

 ILLUSTRATED PARTS LIST
 01.101 Page 1080I
 Nov 01/05

FIG. & ITEM	PART NO.	AIRLINE PART NUMBER	NOMENCLATURE	EFF CODE	QTY PER ASSY
04-608A	BRM200A3		1234567NUTPLATE- (V52828) (SPEC BACN10JP3A) (OPT MK1000-3BAC (V15653)) (OPT NS103197-02 (V80539)) (OPT RMA9201M3 (V72962)) (OPT T8076S1032 (V11815)) (OPT VN202A1-02 (V92215)) (USED ON ITEM 597)	A-BA, BC-BF ,BM-B V,B X-BZ CB-CR ,CT,C Z,DB, DD,DF ,DK DN-DP ,DS- EA,E C-EH, EK-ES	3
610	287T6202-29	CHANNEL- (USED ON ITEM 595)	A-BA, BC-BF ,BM-B V,B X-BZ CB-CR ,CT,C Z,DB, DD,DF ,DK DN-DP ,DS- EA,E C-EH, EK-ES	1

32-21-21

 ILLUSTRATED PARTS LIST
 01.101 Page 1080J
 Nov 01/05

BOEING
 COMPONENT
 MAINTENANCE MANUAL

FIG. & ITEM	PART NO.	AIRLINE PART NUMBER	NOMENCLATURE	EFF CODE	QTY PER ASSY
			1234567		
04-612	287T6202-53	CHANNEL- (USED ON ITEM 597)	A-BA, BC-BF ,BM-B V,B X-BZ CB-CR ,CT,C Z,DB, DD,DF ,DK DN-DP ,DS- EA,E C-EH, EK-ES	1
615 615A	287T6202-16 287T6202-45		DELETED ..BRACKET ASSY- (USED ON ITEMS 5E, 5F)	A-BA, BC-BF ,BM-B V,B X-BZ CB-CR ,CT,C Z,DB, DD,DF ,DK DN-DP ,DS- EA,E C-EH, EK-ES	1

32-21-21

ILLUSTRATED PARTS LIST
 01.101 Page 1080K
 Nov 01/05

FIG. & ITEM	PART NO.	AIRLINE PART NUMBER	NOMENCLATURE 1234567	EFF CODE	QTY PER ASSY
04-620	BACR15BA3AD		...RIVET- (SIZE DETERMINE ON INST)	A-BA, BC-BF ,BM-B V,B X-BZ CB-CR ,CT,C Z,DB, DD,DF ,DK DN-DP ,DS- EA,E C-EH, EK-ES	8
625	BRFM20A3		...NUTPLATE- (V52828) (SPEC BACN10JN3) (OPT MF1000-3BAC (V15653)) (OPT NS103218-02 (V80539)) (OPT RMF9201M3 (V72962)) (OPT VN252A02 (V92215)) (OPT MF1000-3BAC (V15653)) (OPT MF53049-3 (V15653))	A-BA, BC-BF ,BM-B V,B X-BZ CB-CR ,CT,C Z,DB, DD,DF ,DK DN-DP ,DS- EA,E C-EH, EK-ES	4
630	287T6202-2		...BRACKET	A-BA, BC-BF ,BM-B V,B X-BZ CB-CR ,CT,C Z,DB, DD,DF ,DK DN-DP ,DS- EA,E C-EH, EK-ES	1

32-21-21

 ILLUSTRATED PARTS LIST
 01.101 Page 1080L
 Nov 01/05

BOEING
 COMPONENT
 MAINTENANCE MANUAL

FIG. & ITEM	PART NO.	AIRLINE PART NUMBER	NOMENCLATURE	EFF CODE	QTY PER ASSY
			1234567		
04- 635 635A	NAS1801-3-7 NAS1801-3-6		DELETED ..SCREW- (USED ON ITEMS 5E, 5F)	A-BA, BC-BF ,BM-B V,B X-BZ CB-CR ,CT,C Z,DB, DD,DF ,DK DN-DP ,DS- EA,E C-EH, EK-ES	4
640 640A	H10-3BAC MS21042L3		DELETED ..NUT- (USED ON ITEMS 5E, 5F)	A-BA, BC-BF ,BM-B V,B X-BZ CB-CR ,CT,C Z,DB, DD,DF ,DK DN-DP ,DS- EA,E C-EH, EK-ES	4

32-21-21

ILLUSTRATED PARTS LIST
 01.101 Page 1080M
 Nov 01/05

FIG. & ITEM	PART NO.	AIRLINE PART NUMBER	NOMENCLATURE	EFF CODE	QTY PER ASSY
04-645	287T6202-3		1234567 ..BRACKET- (OPT ITEM 645A) (USED ON ITEM 5E)	A-BA, BC-BF ,BM-B V,B X-BZ CB-CR ,CT,C Z,DB, DD,DF ,DK DN-DP ,DS- EA,E C-EH, EK-ES	2
-645A	287T6202-68		..BRACKET- (OPT ITEM 645) (USED ON ITEM 5E)	A-BA, BC-BF ,BM-B V,B X-BZ CB-CR ,CT,C Z,DB, DD,DF ,DK DN-DP ,DS- EA,E C-EH, EK-ES	2
647	287T6202-68		..BRACKET- (USED ON ITEM 5F)	A-BA, BC-BF ,BM-B V,B X-BZ CB-CR ,CT,C Z,DB, DD,DF ,DK DN-DP ,DS- EA,E C-EH, EK-ES	2

32-21-21

 ILLUSTRATED PARTS LIST
 01.101 Page 1080N
 Nov 01/05

BOEING
 COMPONENT
 MAINTENANCE MANUAL

FIG. & ITEM	PART NO.	AIRLINE PART NUMBER	NOMENCLATURE	EFF CODE	QTY PER ASSY
			1234567		
04-650	NAS6606-5		..BOLT- (USED ON ITEMS 5E, 5F)	A-BA, BC-BF ,BM-B V,B X-BZ CB-CR ,CT,C Z,DB, DD,DF ,DK DN-DP ,DS- EA,E C-EH, EK-ES	1
655 655A	AN960PD616L AN960JD616L		DELETED ..WASHER- (USED ON ITEMS 5E, 5F)	A-BA, BC-BF ,BM-B V,B X-BZ CB-CR ,CT,C Z,DB, DD,DF ,DK DN-DP ,DS- EA,E C-EH, EK-ES	1

32-21-21

ILLUSTRATED PARTS LIST
 01.101 Page 10800
 Nov 01/05

FIG. & ITEM	PART NO.	AIRLINE PART NUMBER	NOMENCLATURE	EFF CODE	QTY PER ASSY
04- 660 660A	H10-6BAC MS21042L6		DELETED ..NUT- (USED ON ITEMS 5E, 5F)	A-BA, BC-BF ,BM-B V,B X-BZ CB-CR ,CT,C Z,DB, DD,DF ,DK DN-DP ,DS- EA,E C-EH, EK-ES	1
665	NAS6604-7		..BOLT- (USED ON ITEMS 5E, 5F)	A-BA, BC-BF ,BM-B V,B X-BZ CB-CR ,CT,C Z,DB, DD,DF ,DK DN-DP ,DS- EA,E C-EH, EK-ES	1

32-21-21

 ILLUSTRATED PARTS LIST
 01.101 Page 1080P
 Nov 01/05

BOEING
 COMPONENT
 MAINTENANCE MANUAL

FIG. & ITEM	PART NO.	AIRLINE PART NUMBER	NOMENCLATURE	EFF CODE	QTY PER ASSY
04-670	287T6204-3		1234567 ..SPACER- (MFD FROM SH AL 2024T3 F18.06 0.2 X 0.8 X 1.6 SRF14.9813 QQA250/5) (USED ON ITEMS 5E, 5F)	A-BA, BC-BF ,BM-B V,B X-BZ CB-CR ,CT,C Z,DB, DD,DF ,DK DN-DP ,DS- EA,E C-EH, EK-ES	2
675 675A	H10-4BAC MS21042L4		DELETED ..NUT- (USED ON ITEMS 5E, 5F)	A-BA, BC-BF ,BM-B V,B X-BZ CB-CR ,CT,C Z,DB, DD,DF ,DK DN-DP ,DS- EA,E C-EH, EK-ES	1

32-21-21

ILLUSTRATED PARTS LIST
 01.101 Page 1080Q
 Nov 01/05

FIG. & ITEM	PART NO.	AIRLINE PART NUMBER	NOMENCLATURE 1234567	EFF CODE	QTY PER ASSY
04-680	287T6202-5		..BRACKET- (USED ON ITEM 5E)	A-BA, BC-BF ,BM-B V,B X-BZ CB-CR ,CT,C Z,DB, DD,DF ,DK DN-DP ,DS- EA,E C-EH, EK-ES	1
682	287T6202-69		..BRACKET- (USED ON ITEM 5F)	A-BA, BC-BF ,BM-B V,B X-BZ CB-CR ,CT,C Z,DB, DD,DF ,DK DN-DP ,DS- EA,E C-EH, EK-ES	1
705	NAS1801-3-6		..SCREW- (USED ON ITEMS 5, 5P, 5S, 6)	A-BA, BC-BF ,BM-B V,B X-BZ CB-CR ,CT,C Z,DB, DD,DF ,DK DN-DP ,DS- EA,E C-EH, EK-ES	2

32-21-21

 ILLUSTRATED PARTS LIST
 01.101 Page 1080R
 Nov 01/05


BOEING
 COMPONENT
 MAINTENANCE MANUAL

FIG. & ITEM	PART NO.	AIRLINE PART NUMBER	NOMENCLATURE 1234567	EFF CODE	QTY PER ASSY
04-710	NAS1801-3-7		..SCREW- (USED ON ITEMS 5, 5P, 5S, 6)	A-BA, BC-BF ,BM-B V,B X-BZ CB-CR ,CT,C Z,DB, DD,DF ,DK DN-DP ,DS- EA,E C-EH, EK-ES	6
715	NAS1801-3-8		..SCREW- (USED ON ITEMS 5, 5P, 5S, 6)	A-BA, BC-BF ,BM-B V,B X-BZ CB-CR ,CT,C Z,DB, DD,DF ,DK DN-DP ,DS- EA,E C-EH, EK-ES	2
716	NAS1801-3-18		..SCREW- (USED ON ITEMS 5, 5P, 5S, 6)	A-BA, BC-BF ,BM-B V,B X-BZ CB-CR ,CT,C Z,DB, DD,DF ,DK DN-DP ,DS- EA,E C-EH, EK-ES	2

32-21-21

 ILLUSTRATED PARTS LIST
 01.101 Page 1080S
 Nov 01/05

FIG. & ITEM	PART NO.	AIRLINE PART NUMBER	NOMENCLATURE	EFF CODE	QTY PER ASSY
04-718	NAS42DD6-38		..SPACER- (USED ON ITEMS 5, 5P, 5S, 6)	A-BA, BC-BF ,BM-B V,B X-BZ CB-CR ,CT,C Z,DB, DD,DF ,DK DN-DP ,DS- EA,E C-EH, EK-ES	2
720	NAS6603-4		..BOLT- (USED ON ITEMS 5, 5P, 5S, 6)	A-BA, BC-BF ,BM-B V,B X-BZ CB-CR ,CT,C Z,DB, DD,DF ,DK DN-DP ,DS- EA,E C-EH, EK-ES	5
725	NAS6603-3		..BOLT- (USED ON ITEMS 5, 5P, 5S, 6)	A-BA, BC-BF ,BM-B V,B X-BZ CB-CR ,CT,C Z,DB, DD,DF ,DK DN-DP ,DS- EA,E C-EH, EK-ES	2

32-21-21

 ILLUSTRATED PARTS LIST
 01.101 Page 1080T
 Nov 01/05

BOEING
 COMPONENT
 MAINTENANCE MANUAL

FIG. & ITEM	PART NO.	AIRLINE PART NUMBER	NOMENCLATURE	EFF CODE	QTY PER ASSY
			1234567		
04- 730 732	AN960C10L AN960JD10L		DELETED ..WASHER- (USED ON ITEMS 5, 5P, 5S, 6)	A-BA, BC-BF ,BM-B V,B X-BZ CB-CR ,CT,C Z,DB, DD,DF ,DK DN-DP ,DS- EA,E C-EH, EK-ES	14
733	AN960JD10		..WASHER- (USED ON ITEMS 5, 5P, 5S, 6)	A-BA, BC-BF ,BM-B V,B X-BZ CB-CR ,CT,C Z,DB, DD,DF ,DK DN-DP ,DS- EA,E C-EH, EK-ES	2

32-21-21

ILLUSTRATED PARTS LIST
 01.101 Page 1080U
 Nov 01/05

FIG. & ITEM	PART NO.	AIRLINE PART NUMBER	NOMENCLATURE	EFF CODE	QTY PER ASSY
04-735 735A	H10-3BAC MS21042L3		DELETED ..NUT- (USED ON ITEMS 5, 5P, 5S, 6)	A-BA, BC-BF ,BM-B V,B X-BZ CB-CR ,CT,C Z,DB, DD,DF ,DK DN-DP ,DS- EA,E C-EH, EK-ES	19
740	BACB19F10		..BLOCK- (USED ON ITEMS 5, 5P, 5S, 6)	A-BA, BC-BF ,BM-B V,B X-BZ CB-CR ,CT,C Z,DB, DD,DF ,DK DN-DP ,DS- EA,E C-EH, EK-ES	7

32-21-21

 ILLUSTRATED PARTS LIST
 01.101 Page 1080V
 Nov 01/05

BOEING
 COMPONENT
 MAINTENANCE MANUAL

FIG. & ITEM	PART NO.	AIRLINE PART NUMBER	NOMENCLATURE 1234567	EFF CODE	QTY PER ASSY
04-745	JM44LC13WS9R		..CLAMP- (V22175) (SPEC BACC10GE9) (OPT S369WH9 (V18076)) (OPT TA12C32WS9 (V84971)) (OPT 509S9 (V83930)) (USED ON ITEMS 5, 5P, 5S, 6)	A-BA, BC-BF ,BM-B V,B X-BZ CB-CR ,CT,C Z,DB, DD,DF ,DK DN-DP ,DS- EA,E C-EH, EK-ES	6
750	JM44LC13WS20R		..CLAMP- (V22175) (SPEC BACC10GE20) (OPT S369WH20 (V18076)) (OPT TA12C32WS20 (V84971)) (OPT 509S20 (V83930)) (USED ON ITEMS 5, 5S)	A-BA, BC-BF ,BM-B V,B X-BZ CB-CR ,CT,C Z,DB, DD,DF ,DK DN-DP ,DS- EA,E C-EH, EK-ES	6
-750A	JM44LC13WS24R		..CLAMP- (V22175) (SPEC BACC10GE24) (OPT S369WH24 (V18076)) (OPT TA12C32WS24 (V84971)) (OPT 509S24 (V83930)) (USED ON ITEMS 5P, 6)	A-BA, BC-BF ,BM-B V,B X-BZ CB-CR ,CT,C Z,DB, DD,DF ,DK DN-DP ,DS- EA,E C-EH, EK-ES	6

32-21-21

ILLUSTRATED PARTS LIST
 01.101 Page 1080W
 Nov 01/05

FIG. & ITEM	PART NO.	AIRLINE PART NUMBER	NOMENCLATURE	EFF CODE	QTY PER ASSY
04-755 755A	BACC10GE9 JM44LC13WS7R		1234567 DELETED ..CLAMP- (V22175) (SPEC BACC10GE7) (OPT S369WH7 (V18076)) (OPT TA12C32WS7 (V84971)) (OPT 509S7 (V83930)) (USED ON ITEMS 5, 5P, 5S, 6)	A-BA, BC-BF ,BM-B V,B X-BZ CB-CR ,CT,C Z,DB, DD,DF ,DK DN-DP ,DS- EA,E C-EH, EK-ES	4
760	JM44LC13WS11R		..CLAMP- (V22175) (SPEC BACC10GE11) (OPT S369WH11 (V18076)) (OPT TA12C32WS11 (V84971)) (OPT 509S11 (V83930)) (USED ON ITEMS 5, 5S)	A-BA, BC-BF ,BM-B V,B X-BZ CB-CR ,CT,C Z,DB, DD,DF ,DK DN-DP ,DS- EA,E C-EH, EK-ES	1

32-21-21

 ILLUSTRATED PARTS LIST
 01.101 Page 1080X
 Nov 01/05


BOEING
 COMPONENT
 MAINTENANCE MANUAL

FIG. & ITEM	PART NO.	AIRLINE PART NUMBER	NOMENCLATURE 1234567	EFF CODE	QTY PER ASSY
04-765	BACC15AN10		..CLIP- (USED ON ITEMS 5, 5P, 5S, 6)	A-BA, BC-BF ,BM-B V,B X-BZ CB-CR ,CT,C Z,DB, DD,DF ,DK DN-DP ,DS- EA,E C-EH, EK-ES	7
770	MBC68941-780		..CLAMP- (V98625) (SPEC BACC10FY078S) (OPT B06A078S (V10234)) (OPT 3140AB078 (V94581)) (OPT 57490-078 (V98625)) (OPT BC1083-780S (V14242)) (OPT MBC68516-780 (V98625)) (OPT MBC68941-078 (V8W928)) (USED ON ITEMS 5, 5S)	A-BA, BC-BF ,BM-B V,B X-BZ CB-CR ,CT,C Z,DB, DD,DF ,DK DN-DP ,DS- EA,E C-EH, EK-ES	1

32-21-21

 ILLUSTRATED PARTS LIST
 01.101 Page 1080Y
 Nov 01/05

FIG. & ITEM	PART NO.	AIRLINE PART NUMBER	NOMENCLATURE 1234567	EFF CODE	QTY PER ASSY
04- -770A	MBC68941-810		..CLAMP- (V98625) (SPEC BACC10FY081S) (OPT B06A081S (V10234)) (OPT 3140AB081 (V94581)) (OPT 57490-081 (V98625)) (OPT BC1083-810S (V14242)) (OPT MBC68516-810 (V98625)) (OPT MBC68941-081 (V8W928)) (USED ON ITEM 5P, 6)	A-BA, BC-BF ,BM-B V,B X-BZ CB-CR ,CT,C Z,DB, DD,DF ,DK DN-DP ,DS- EA,E C-EH, EK-ES	1
775	MBC68941-810		..CLAMP- (V98625) (SPEC BACC10FY081S) (OPT B06A081S (V10234)) (OPT 3140AB081 (V94581)) (OPT 57490-081 (V98625)) (OPT BC1083-810S (V14242)) (OPT MBC68516-810 (V98625)) (OPT MBC68941-081 (V8W928)) (USED ON ITEMS 5, 5S)	A-BA, BC-BF ,BM-B V,B X-BZ CB-CR ,CT,C Z,DB, DD,DF ,DK DN-DP ,DS- EA,E C-EH, EK-ES	1

32-21-21

 ILLUSTRATED PARTS LIST
 01.101 Page 1080Z
 Nov 01/05

BOEING
 COMPONENT
 MAINTENANCE MANUAL

FIG. & ITEM	PART NO.	AIRLINE PART NUMBER	NOMENCLATURE	EFF CODE	QTY PER ASSY
			1234567		
04- -775A	MBC68941-780		..CLAMP- (V98625) (SPEC BACC10FY078S) (OPT B06A078S (V10234)) (OPT 3140AB078 (V94581)) (OPT 57490-078 (V98625)) (OPT BC1083-780S (V14242)) (OPT MBC68516-780 (V98625)) (OPT MBC68941-078 (V8W928)) (USED ON ITEM 5P, 6)	A-BA, BC-BF ,BM-B V,B X-BZ CB-CR ,CT,C Z,DB, DD,DF ,DK DN-DP ,DS- EA,E C-EH, EK-ES	1
780	NAS1801-3-5		..SCREW- (USED ON ITEMS 5, 5P, 5S, 6)	A-BA, BC-BF ,BM-B V,B X-BZ CB-CR ,CT,C Z,DB, DD,DF ,DK DN-DP ,DS- EA,E C-EH, EK-ES	2

32-21-21

ILLUSTRATED PARTS LIST
 01.101 Page 1081
 Nov 01/05

FIG. & ITEM	PART NO.	AIRLINE PART NUMBER	NOMENCLATURE	EFF CODE	QTY PER ASSY
04-785	JM44LC13WS3R		1234567 ..CLAMP- (V22175) (SPEC BACC10GE3) (OPT S369WH3 (V18076)) (OPT TA12C32S3 (V84971)) (OPT 509S3 (V83930)) (USED ON ITEMS 5, 5P, 5S, 6)	A-BA, BC-BF ,BM-B V,B X-BZ CB-CR ,CT,C Z,DB, DD,DF ,DK DN-DP ,DS- EA,E C-EH, EK-ES	2
790	6-2S8KC		..NUT- (V30463) (USED ON ITEMS 5, 5S)	A-BA, BC-BF ,BM-B V,B X-BZ CB-CR ,CT,C Z,DB, DD,DF ,DK DN-DP ,DS- EA,E C-EH, EK-ES	1

32-21-21

 ILLUSTRATED PARTS LIST
 01.101 Page 1082
 Nov 01/05

BOEING
 COMPONENT
 MAINTENANCE MANUAL

FIG. & ITEM	PART NO.	AIRLINE PART NUMBER	NOMENCLATURE	EFF CODE	QTY PER ASSY
			1234567		
04- -790A	186028FS60K3		..NUT- (V30463) (OPT ITEM 790B) (USED ON ITEM 5P, 6)	A-BA, BC-BF ,BM-B V,B X-BZ CB-CR ,CT,C Z,DB, DD,DF ,DK DN-DP ,DS- EA,E C-EH, EK-ES	1
-790B	6-2S8KC		..NUT- (V30463) (OPT ITEM 790A) (USED ON ITEM 5P, 6)	A-BA, BC-BF ,BM-B V,B X-BZ CB-CR ,CT,C Z,DB, DD,DF ,DK DN-DP ,DS- EA,E C-EH, EK-ES	1

32-21-21

ILLUSTRATED PARTS LIST
 01.101 Page 1082A
 Nov 01/05

FIG. & ITEM	PART NO.	AIRLINE PART NUMBER	NOMENCLATURE	EFF CODE	QTY PER ASSY
04-795	287T6205-17		1234567 ..HARNESS ASSY-WIRE (USED ON ITEMS 5, 5P, 5S, 6) (REF CMM 32-20-51)	A-BA, BC-BF ,BM-B V,B X-BZ CB-CR ,CT,C Z,DB, DD,DF ,DK DN-DP ,DS- EA,E C-EH, EK-ES	1
800	287T6205-15		..HARNESS ASSY-WIRE (USED ON ITEM 5) (REF CMM 32-20-51)	A-BA, BC-BF ,BM-B V,B X-BZ CB-CR ,CT,C Z,DB, DD,DF ,DK DN-DP ,DS- EA,E C-EH, EK-ES	1

32-21-21

 ILLUSTRATED PARTS LIST
 01.101 Page 1082B
 Nov 01/05

BOEING
 COMPONENT
 MAINTENANCE MANUAL

FIG. & ITEM	PART NO.	AIRLINE PART NUMBER	NOMENCLATURE 1234567	EFF CODE	QTY PER ASSY
04-800A	287T6205-30		..HARNESS ASSY-WIRE (USED ON ITEM 5S) (REF CMM 32-20-51)	A-BA, BC-BF ,BM-B V,B X-BZ CB-CR ,CT,C Z,DB, DD,DF ,DK DN-DP ,DS- EA,E C-EH, EK-ES	1
802	287T6205-24		..HARNESS ASSY-WIRE (USED ON ITEM 5P) (REF CMM 32-20-51)	A-BA, BC-BF ,BM-B V,B X-BZ CB-CR ,CT,C Z,DB, DD,DF ,DK DN-DP ,DS- EA,E C-EH, EK-ES	1
-802A	287T6205-37		..HARNESS ASSY-WIRE (USED ON ITEM 6) (REF CMM 32-20-51)	A-BA, BC-BF ,BM-B V,B X-BZ CB-CR ,CT,C Z,DB, DD,DF ,DK DN-DP ,DS- EA,E C-EH, EK-ES	1

32-21-21

ILLUSTRATED PARTS LIST
 01.101 Page 1082C
 Nov 01/05

FIG. & ITEM	PART NO.	AIRLINE PART NUMBER	NOMENCLATURE 1234567	EFF CODE	QTY PER ASSY
04-805	287T6205-14		..HARNESS ASSY-WIRE (USED ON ITEMS 5, 5P, 5S, 6) (REF CMM 32-20-51)	A-BA, BC-BF ,BM-B V,B X-BZ CB-CR ,CT,C Z,DB, DD,DF ,DK DN-DP ,DS- EA,E C-EH, EK-ES	1
810	287T6205-10		..HARNESS ASSY-WIRE (USED ON ITEMS 5, 5P, 5S, 6) (REF CMM 32-20-51)	A-BA, BC-BF ,BM-B V,B X-BZ CB-CR ,CT,C Z,DB, DD,DF ,DK DN-DP ,DS- EA,E C-EH, EK-ES	1
815	NAS1801-3-7		..SCREW- (USED ON ITEMS 5, 5P, 5S, 6)	A-BA, BC-BF ,BM-B V,B X-BZ CB-CR ,CT,C Z,DB, DD,DF ,DK DN-DP ,DS- EA,E C-EH, EK-ES	2

32-21-21

 ILLUSTRATED PARTS LIST
 01.101 Page 1082D
 Nov 01/05

BOEING
 COMPONENT
 MAINTENANCE MANUAL

FIG. & ITEM	PART NO.	AIRLINE PART NUMBER	NOMENCLATURE	EFF CODE	QTY PER ASSY
			1234567		
04-820	NAS6603-4		..BOLT- (USED ON ITEMS 5, 5P, 5S, 6)	A-BA, BC-BF ,BM-B V,B X-BZ CB-CR ,CT,C Z,DB, DD,DF ,DK DN-DP ,DS- EA,E C-EH, EK-ES	4
825 825A	AN960PD10 AN960JD10		DELETED ..WASHER- (USED ON ITEMS 5, 5P, 5S, 6)	A-BA, BC-BF ,BM-B V,B X-BZ CB-CR ,CT,C Z,DB, DD,DF ,DK DN-DP ,DS- EA,E C-EH, EK-ES	4

32-21-21

ILLUSTRATED PARTS LIST
 01.101 Page 1082E
 Nov 01/05

FIG. & ITEM	PART NO.	AIRLINE PART NUMBER	NOMENCLATURE	EFF CODE	QTY PER ASSY
04-830 830A	H10-3BAC MS21042L3		1234567 DELETED ..NUT- (USED ON ITEMS 5, 5P, 5S, 6)	A-BA, BC-BF ,BM-B V,B X-BZ CB-CR ,CT,C Z,DB, DD,DF ,DK DN-DP ,DS- EA,E C-EH, EK-ES	2
835	287T6202-44		..ANGLE- (USED ON ITEMS 5, 5S)	A-BA, BC-BF ,BM-B V,B X-BZ CB-CR ,CT,C Z,DB, DD,DF ,DK DN-DP ,DS- EA,E C-EH, EK-ES	1

32-21-21

 ILLUSTRATED PARTS LIST
 01.101 Page 1082F
 Nov 01/05

BOEING
 COMPONENT
 MAINTENANCE MANUAL

FIG. & ITEM	PART NO.	AIRLINE PART NUMBER	NOMENCLATURE	EFF CODE	QTY PER ASSY
04- -835A	287T6202-82		1234567 ..ANGLE- (USED ON ITEM 5P, 6)	A-BA, BC-BF ,BM-B V,B X-BZ CB-CR ,CT,C Z,DB, DD,DF ,DK DN-DP ,DS- EA,E C-EH, EK-ES	1
840	287T6202-7		..BRACKET- (USED ON ITEM 5, 5P, 5S, 6)	A-BA, BC-BF ,BM-B V,B X-BZ CB-CR ,CT,C Z,DB, DD,DF ,DK DN-DP ,DS- EA,E C-EH, EK-ES	1

32-21-21

ILLUSTRATED PARTS LIST
 01.101 Page 1082G
 Nov 01/05

FIG. & ITEM	PART NO.	AIRLINE PART NUMBER	NOMENCLATURE	EFF CODE	QTY PER ASSY
04-845	287T6202-25		1234567 ..ANGLE ASSY- (USED ON ITEM 5, 5P, 5S, 6)	A-BA, BC-BF ,BM-B V,B X-BZ CB-CR ,CT,C Z,DB, DD,DF ,DK DN-DP ,DS- EA,E C-EH, EK-ES	2
850	NAS1801-3-9		ATTACHING PARTS ..SCREW	A-BA, BC-BF ,BM-B V,B X-BZ CB-CR ,CT,C Z,DB, DD,DF ,DK DN-DP ,DS- EA,E C-EH, EK-ES	2

32-21-21

 ILLUSTRATED PARTS LIST
 01.101 Page 1082H
 Nov 01/05

BOEING
 COMPONENT
 MAINTENANCE MANUAL

FIG. & ITEM	PART NO.	AIRLINE PART NUMBER	NOMENCLATURE	EFF CODE	QTY PER ASSY
			1234567		
04- 855 855A	AN960C10L AN960JD10L		DELETED ..WASHER	A-BA, BC-BF ,BM-B V,B X-BZ CB-CR ,CT,C Z,DB, DD,DF ,DK DN-DP ,DS- EA,E C-EH, EK-ES	2
860 860A	H10-3BAC MS21042L3		DELETED ..NUT	A-BA, BC-BF ,BM-B V,B X-BZ CB-CR ,CT,C Z,DB, DD,DF ,DK DN-DP ,DS- EA,E C-EH, EK-ES	2
			-----*		

32-21-21

ILLUSTRATED PARTS LIST
 01.101 Page 1082I
 Nov 01/05

FIG. & ITEM	PART NO.	AIRLINE PART NUMBER	NOMENCLATURE	EFF CODE	QTY PER ASSY
04-865	BACR15BA3AD		1234567 ...RIVET- (SIZE DETERMINE ON INST)	A-BA, BC-BF ,BM-B V,B X-BZ CB-CR ,CT,C Z,DB, DD,DF ,DK DN-DP ,DS- EA,E C-EH, EK-ES	2
870	287T6202-22		...PLATE	A-BA, BC-BF ,BM-B V,B X-BZ CB-CR ,CT,C Z,DB, DD,DF ,DK DN-DP ,DS- EA,E C-EH, EK-ES	1

32-21-21

 ILLUSTRATED PARTS LIST
 01.101 Page 1082J
 Nov 01/05

BOEING
 COMPONENT
 MAINTENANCE MANUAL

FIG. & ITEM	PART NO.	AIRLINE PART NUMBER	NOMENCLATURE	EFF CODE	QTY PER ASSY
04-875	287T6202-24		1234567 ...PAD	A-BA, BC-BF ,BM-B V,B X-BZ CB-CR ,CT,C Z,DB, DD,DF ,DK DN-DP ,DS- EA,E C-EH, EK-ES	1
880	287T6202-23		...ANGLE	A-BA, BC-BF ,BM-B V,B X-BZ CB-CR ,CT,C Z,DB, DD,DF ,DK DN-DP ,DS- EA,E C-EH, EK-ES	1
881	NAS1801-3-10		..SCREW- (USED ON ITEMS 5N, 5W, 6A)	A-BA, BC-BF ,BM-B V,B X-BZ CB-CR ,CT,C Z,DB, DD,DF ,DK DN-DP ,DS- EA,E C-EH, EK-ES	1

32-21-21

ILLUSTRATED PARTS LIST
 01.101 Page 1082K
 Nov 01/05

FIG. & ITEM	PART NO.	AIRLINE PART NUMBER	NOMENCLATURE	EFF CODE	QTY PER ASSY
04-882	JM44LC53S106RG		..CLAMP- (V22175) (OPT ITEM 882A) (USED ON ITEMS 5N, 5W, 6A)	A-BA, BC-BF ,BM-B V,B X-BZ CB-CR ,CT,C Z,DB, DD,DF ,DK DN-DP ,DS- EA,E C-EH, EK-ES	2
-882A	JM44LC39S106RG		..CLAMP- (V22175) (SPEC BACC10GU106) (OPT 534CS106 (V83930)) (OPT ITEM 882) (USED ON ITEMS 5N, 5W, 6A)	A-BA, BC-BF ,BM-B V,B X-BZ CB-CR ,CT,C Z,DB, DD,DF ,DK DN-DP ,DS- EA,E C-EH, EK-ES	1
883	NAS1801-3-8		..SCREW- (USED ON ITEM 5R) (REF CMM 32-20-51)	A-BA, BC-BF ,BM-B V,B X-BZ CB-CR ,CT,C Z,DB, DD,DF ,DK DN-DP ,DS- EA,E C-EH, EK-ES	1

32-21-21

 ILLUSTRATED PARTS LIST
 01.101 Page 1082L
 Nov 01/05


BOEING
 COMPONENT
 MAINTENANCE MANUAL

FIG. & ITEM	PART NO.	AIRLINE PART NUMBER	NOMENCLATURE 1234567	EFF CODE	QTY PER ASSY
04-884	JM44LC53S106RG		..CLAMP- (V22175) (OPT ITEM 884A) (USED ON ITEM 5R)	A-BA, BC-BF ,BM-B V,B X-BZ CB-CR ,CT,C Z,DB, DD,DF ,DK DN-DP ,DS- EA,E C-EH, EK-ES	1
-884A	JM44LC39S106RG		..CLAMP- (V22175) (SPEC BACC10GU106) (OPT 534CS106 (V83930)) (OPT ITEM 884) (USED ON ITEM 5R)	A-BA, BC-BF ,BM-B V,B X-BZ CB-CR ,CT,C Z,DB, DD,DF ,DK DN-DP ,DS- EA,E C-EH, EK-ES	1
885	NAS6604-3		..BOLT- (USED ON ITEMS 5, 5P, 5S, 6)	A-BA, BC-BF ,BM-B V,B X-BZ CB-CR ,CT,C Z,DB, DD,DF ,DK DN-DP ,DS- EA,E C-EH, EK-ES	4

32-21-21

 ILLUSTRATED PARTS LIST
 01.101 Page 1082M
 Nov 01/05

FIG. & ITEM	PART NO.	AIRLINE PART NUMBER	NOMENCLATURE	EFF CODE	QTY PER ASSY
			1234567		
04- 890 890A	AN960C416L AN960JD416L		DELETED ..WASHER- (USED ON ITEMS 5, 5S)	A-BA, BC-BF ,BM-B V,B X-BZ CB-CR ,CT,C Z,DB, DD,DF ,DK DN-DP ,DS- EA,E C-EH, EK-ES	4
-890B	AN960JD416		..WASHER- (USED ON ITEM 5P, 6)	A-BA, BC-BF ,BM-B V,B X-BZ CB-CR ,CT,C Z,DB, DD,DF ,DK DN-DP ,DS- EA,E C-EH, EK-ES	4

32-21-21

 ILLUSTRATED PARTS LIST
 01.101 Page 1082N
 Nov 01/05

BOEING
 COMPONENT
 MAINTENANCE MANUAL

FIG. & ITEM	PART NO.	AIRLINE PART NUMBER	NOMENCLATURE	EFF CODE	QTY PER ASSY
04-895 895A	H10-4BAC MS21042L4		DELETED ..NUT- (USED ON ITEMS 5, 5P, 5S, 6)	A-BA, BC-BF ,BM-B V,B X-BZ CB-CR ,CT,C Z,DB, DD,DF ,DK DN-DP ,DS- EA,E C-EH, EK-ES	4
900	287T6207-4		..ANGLE- (USED ON ITEMS 5, 5P, 5S, 6)	A-BA, BC-BF ,BM-B V,B X-BZ CB-CR ,CT,C Z,DB, DD,DF ,DK DN-DP ,DS- EA,E C-EH, EK-ES	1

32-21-21

ILLUSTRATED PARTS LIST
 01.101 Page 10820
 Nov 01/05

FIG. & ITEM	PART NO.	AIRLINE PART NUMBER	NOMENCLATURE	EFF CODE	QTY PER ASSY
04-905	287T6207-3		1234567 ..ANGLE- (USED ON ITEMS 5, 5P, 5S, 6)	A-BA, BC-BF ,BM-B V,B X-BZ CB-CR ,CT,C Z,DB, DD,DF ,DK DN-DP ,DS- EA,E C-EH, EK-ES	1
906	NAS6603-2		..BOLT- (USED ON ITEMS 5N, 5R, 5W)	A-BA, BC-BF ,BM-B V,B X-BZ CB-CR ,CT,C Z,DB, DD,DF ,DK DN-DP ,DS- EA,E C-EH, EK-ES	4

32-21-21

 ILLUSTRATED PARTS LIST
 01.101 Page 1082P
 Nov 01/05

BOEING
 COMPONENT
 MAINTENANCE MANUAL

FIG. & ITEM	PART NO.	AIRLINE PART NUMBER	NOMENCLATURE 1234567	EFF CODE	QTY PER ASSY
04-907	AN960JD10L		..WASHER- (USED ON ITEMS 5N, 5R, 5W)	A-BA, BC-BF ,BM-B V,B X-BZ CB-CR ,CT,C Z,DB, DD,DF ,DK DN-DP ,DS- EA,E C-EH, EK-ES	4
908	287T6205-22		..HARNESS ASSY- (USED ON ITEM 5N) (REF CMM 32-20-51)	A-BA, BC-BF ,BM-B V,B X-BZ CB-CR ,CT,C Z,DB, DD,DF ,DK DN-DP ,DS- EA,E C-EH, EK-ES	1
-908A	287T6205-34		..HARNESS ASSY- (USED ON ITEM 5W) (REF CMM 32-20-51)	A-BA, BC-BF ,BM-B V,B X-BZ CB-CR ,CT,C Z,DB, DD,DF ,DK DN-DP ,DS- EA,E C-EH, EK-ES	1

32-21-21

ILLUSTRATED PARTS LIST
 01.101 Page 1082Q
 Nov 01/05

FIG. & ITEM	PART NO.	AIRLINE PART NUMBER	NOMENCLATURE 1234567	EFF CODE	QTY PER ASSY
04- -908B	287T6205-38		..HARNESS ASSY- (USED ON ITEM 6A) (REF CMM 32-20-51)	A-BA, BC-BF ,BM-B V,B X-BZ CB-CR ,CT,C Z,DB, DD,DF ,DK DN-DP ,DS- EA,E C-EH, EK-ES	1
909	287T6205-25		..HARNESS ASSY- (USED ON ITEM 5R) (REF CMM 32-20-51)	A-BA, BC-BF ,BM-B V,B X-BZ CB-CR ,CT,C Z,DB, DD,DF ,DK DN-DP ,DS- EA,E C-EH, EK-ES	1
-910	287T6201-6		.LATCH INSTL-SPR (LIMITED)	A-BA, BC-BF ,BM-B V,B X-BZ CB-CR ,CT,C Z,DB, DD,DF ,DK DN-DP ,DS- EA,E C-EH, EK-ES	1

32-21-21

 ILLUSTRATED PARTS LIST
 01.101 Page 1082R
 Nov 01/05

BOEING
 COMPONENT
 MAINTENANCE MANUAL

FIG. & ITEM	PART NO.	AIRLINE PART NUMBER	NOMENCLATURE	EFF CODE	QTY PER ASSY
04- -915	162T1612-2		1234567 ..LATCH ASSY	A-BA, BC-BF ,BM-B V,B X-BZ CB-CR ,CT,C Z,DB, DD,DF ,DK DN-DP ,DS- EA,E C-EH, EK-ES	1
-920	NAS6603-2		ATTACHING PARTS ..BOLT	A-BA, BC-BF ,BM-B V,B X-BZ CB-CR ,CT,C Z,DB, DD,DF ,DK DN-DP ,DS- EA,E C-EH, EK-ES	2

32-21-21

ILLUSTRATED PARTS LIST
 01.101 Page 1082S
 Nov 01/05

FIG. & ITEM	PART NO.	AIRLINE PART NUMBER	NOMENCLATURE	EFF CODE	QTY PER ASSY
04- -925	AN960C10L		1234567 ..WASHER	A-BA, BC-BF ,BM-B V,B X-BZ CB-CR ,CT,C Z,DB, DD,DF ,DK DN-DP ,DS- EA,E C-EH, EK-ES	2
-930	BACR15CE5M		-----*----- ...RIVET- (SIZE DETERMINE ON INST)	A-BA, BC-BF ,BM-B V,B X-BZ CB-CR ,CT,C Z,DB, DD,DF ,DK DN-DP ,DS- EA,E C-EH, EK-ES	2

32-21-21

 ILLUSTRATED PARTS LIST
 01.101 Page 1082T
 Nov 01/05

BOEING
 COMPONENT
 MAINTENANCE MANUAL

FIG. & ITEM	PART NO.	AIRLINE PART NUMBER	NOMENCLATURE	EFF CODE	QTY PER ASSY
04- -935	162T1612-3		1234567 ...PLATE-CATCH	A-BA, BC-BF ,BM-B V,B X-BZ CB-CR ,CT,C Z,DB, DD,DF ,DK DN-DP ,DS- EA,E C-EH, EK-ES	1
-940	162T1612-1		...LATCH-SPR	A-BA, BC-BF ,BM-B V,B X-BZ CB-CR ,CT,C Z,DB, DD,DF ,DK DN-DP ,DS- EA,E C-EH, EK-ES	1

32-21-21

ILLUSTRATED PARTS LIST
 01.101 Page 1082U
 Nov 01/05

FIG. & ITEM	PART NO.	AIRLINE PART NUMBER	NOMENCLATURE 1234567	EFF CODE	QTY PER ASSY
04-942	NAS6603-4		..BOLT- (USED ON ITEMS 5N, 5W)	A-BA, BC-BF ,BM-B V,B X-BZ CB-CR ,CT,C Z,DB, DD,DF ,DK DN-DP ,DS- EA,E C-EH, EK-ES	2
944	AN960JD10L		..WASHER- (USED ON ITEMS 5N, 5W)	A-BA, BC-BF ,BM-B V,B X-BZ CB-CR ,CT,C Z,DB, DD,DF ,DK DN-DP ,DS- EA,E C-EH, EK-ES	2
946	MS21042L3		..NUT- (USED ON ITEMS 5N, 5W)	A-BA, BC-BF ,BM-B V,B X-BZ CB-CR ,CT,C Z,DB, DD,DF ,DK DN-DP ,DS- EA,E C-EH, EK-ES	2

32-21-21

 ILLUSTRATED PARTS LIST
 01.101 Page 1082V
 Nov 01/05

BOEING
 COMPONENT
 MAINTENANCE MANUAL

FIG. & ITEM	PART NO.	AIRLINE PART NUMBER	NOMENCLATURE	EFF CODE	QTY PER ASSY
04-948	NAS6603-4		..BOLT- (USED ON ITEMS 5N, 5W)	A-BA, BC-BF ,BM-B V,B X-BZ CB-CR ,CT,C Z,DB, DD,DF ,DK DN-DP ,DS- EA,E C-EH, EK-ES	3
950	AN960JD10		..WASHER- (USED ON ITEMS 5N, 5W)	A-BA, BC-BF ,BM-B V,B X-BZ CB-CR ,CT,C Z,DB, DD,DF ,DK DN-DP ,DS- EA,E C-EH, EK-ES	3
952	NAS6604-6		..BOLT- (USED ON ITEMS 5N, 5W)	A-BA, BC-BF ,BM-B V,B X-BZ CB-CR ,CT,C Z,DB, DD,DF ,DK DN-DP ,DS- EA,E C-EH, EK-ES	2

32-21-21

ILLUSTRATED PARTS LIST
 01.101 Page 1082W
 Nov 01/05

FIG. & ITEM	PART NO.	AIRLINE PART NUMBER	NOMENCLATURE	EFF CODE	QTY PER ASSY
04-954	AN960JD416		1234567 ..WASHER- (USED ON ITEMS 5N, 5W)	A-BA, BC-BF ,BM-B V,B X-BZ CB-CR ,CT,C Z,DB, DD,DF ,DK DN-DP ,DS- EA,E C-EH, EK-ES	2
956 956A	287T6202-87 287T6202-92		DELETED ..BRACKET- (USED ON ITEMS 5N, 5W, 6A)	A-BA, BC-BF ,BM-B V,B X-BZ CB-CR ,CT,C Z,DB, DD,DF ,DK DN-DP ,DS- EA,E C-EH, EK-ES	1

32-21-21

 ILLUSTRATED PARTS LIST
 01.101 Page 1082X
 Nov 01/05

BOEING
 COMPONENT
 MAINTENANCE MANUAL

FIG. & ITEM	PART NO.	AIRLINE PART NUMBER	NOMENCLATURE	EFF CODE	QTY PER ASSY
04-958	287T6202-90		1234567 ..FILLER- (USED ON ITEMS 5N, 5W, 6A)	A-BA, BC-BF ,BM-B V,B X-BZ CB-CR ,CT,C Z,DB, DD,DF ,DK DN-DP ,DS- EA,E C-EH, EK-ES	2
960	287T6202-89		..BRACKET ASSY- (USED ON ITEMS 5N, 5W, 6A)	A-BA, BC-BF ,BM-B V,B X-BZ CB-CR ,CT,C Z,DB, DD,DF ,DK DN-DP ,DS- EA,E C-EH, EK-ES	1

32-21-21

ILLUSTRATED PARTS LIST
 01.101 Page 1082Y
 Nov 01/05

FIG. & ITEM	PART NO.	AIRLINE PART NUMBER	NOMENCLATURE 1234567	EFF CODE	QTY PER ASSY
04-961	BACR15BA3AD		...RIVET- (SIZE DETERMINE ON INST)	A-BA, BC-BF ,BM-B V,B X-BZ CB-CR ,CT,C Z,DB, DD,DF ,DK DN-DP ,DS- EA,E C-EH, EK-ES	10
962	BRFM20A3		...NUTPLATE- (V52828) (SPEC BACN10JN3) (OPT MF1000-3BAC (V15653)) (OPT NS103218-02 (V80539)) (OPT RMF9201M3 (V72962)) (OPT VN252A02 (V92215)) (OPT MF1000-3BAC (V15653)) (OPT MF53049-3 (V15653))	A-BA, BC-BF ,BM-B V,B X-BZ CB-CR ,CT,C Z,DB, DD,DF ,DK DN-DP ,DS- EA,E C-EH, EK-ES	3

32-21-21

 ILLUSTRATED PARTS LIST
 01.101 Page 1082Z
 Nov 01/05

BOEING
 COMPONENT
 MAINTENANCE MANUAL

FIG. & ITEM	PART NO.	AIRLINE PART NUMBER	NOMENCLATURE	EFF CODE	QTY PER ASSY
04-963	T8124S4S		1234567 ...NUTPLATE- (V71087) (SPEC BACN10JN4) (OPT MF1000-4BAC (V15653)) (OPT NS103218-048 (V80539)) (OPT RMF9201M4 (V72962)) (OPT VN252A048 (V92215)) (OPT VN252A048 (V92215)) (OPT T8124S4S (V11815))	A-BA, BC-BF ,BM-B V,B X-BZ CB-CR ,CT,C Z,DB, DD,DF ,DK DN-DP ,DS- EA,E C-EH, EK-ES	2
964	287T6202-88		...BRACKET	A-BA, BC-BF ,BM-B V,B X-BZ CB-CR ,CT,C Z,DB, DD,DF ,DK DN-DP ,DS- EA,E C-EH, EK-ES	1
966	NAS6603-2		..BOLT- (USED ON ITEMS 5N, 5R, 5W, 6A)	A-BA, BC-BF ,BM-B V,B X-BZ CB-CR ,CT,C Z,DB, DD,DF ,DK DN-DP ,DS- EA,E C-EH, EK-ES	2

32-21-21

ILLUSTRATED PARTS LIST
 01.101 Page 1083
 Nov 01/05

FIG. & ITEM	PART NO.	AIRLINE PART NUMBER	NOMENCLATURE 1234567	EFF CODE	QTY PER ASSY
04-968	AN960JD10L		..WASHER- (USED ON ITEMS 5N, 5R, 5W, 6A)	A-BA, BC-BF ,BM-B V,B X-BZ CB-CR ,CT,C Z,DB, DD,DF ,DK DN-DP ,DS- EA,E C-EH, EK-ES	2
970	287T6202-80		..ANGLE ASSY- (USED ON ITEMS 5N, 5R, 5W, 6A)	A-BA, BC-BF ,BM-B V,B X-BZ CB-CR ,CT,C Z,DB, DD,DF ,DK DN-DP ,DS- EA,E C-EH, EK-ES	1
971	BACR15BA3AD		...RIVET- (SIZE DETERMINE ON INST)	A-BA, BC-BF ,BM-B V,B X-BZ CB-CR ,CT,C Z,DB, DD,DF ,DK DN-DP ,DS- EA,E C-EH, EK-ES	2

32-21-21

ILLUSTRATED PARTS LIST

01.101 Page 1084

Nov 01/05


BOEING
 COMPONENT
 MAINTENANCE MANUAL

FIG. & ITEM	PART NO.	AIRLINE PART NUMBER	NOMENCLATURE 1234567	EFF CODE	QTY PER ASSY
04-972	K1000-3BAC		...NUTPLATE- (V15653) (SPEC BACN10JR3) (OPT NS103202-02 (V80539)) (OPT RMA9201-3 (V72962)) (OPT T8088S1032 (V11815)) (OPT VN102A1-02 (V92215)) (OPT BR2000A3 (V52828))	A-BA, BC-BF ,BM-B V,B X-BZ CB-CR ,CT,C Z,DB, DD,DF ,DK DN-DP ,DS- EA,E C-EH, EK-ES	1
973	287T6202-81		...ANGLE	A-BA, BC-BF ,BM-B V,B X-BZ CB-CR ,CT,C Z,DB, DD,DF ,DK DN-DP ,DS- EA,E C-EH, EK-ES	1
975	NAS1801-3-8		..SCREW- (USED ON ITEMS 5M, 5Q)	A-BA, BC-BF ,BM-B V,B X-BZ CB-CR ,CT,C Z,DB, DD,DF ,DK DN-DP ,DS- EA,E C-EH, EK-ES	4

32-21-21

 ILLUSTRATED PARTS LIST
 01.101 Page 1084A
 Nov 01/05

FIG. & ITEM	PART NO.	AIRLINE PART NUMBER	NOMENCLATURE	EFF CODE	QTY PER ASSY
04-977	JM44LC53S108RG		..CLAMP- (V22175) (OPT ITEM 977A) (USED ON ITEMS 5M, 5Q)	A-BA, BC-BF ,BM-B V,B X-BZ CB-CR ,CT,C Z,DB, DD,DF ,DK DN-DP ,DS- EA,E C-EH, EK-ES	4
-977A	JM44LC39S108RG		..CLAMP- (V22175) (SPEC BACC10GU108) (OPT 534CS108 (V83930)) (OPT ITEM 977) (USED ON ITEMS 5M, 5Q) 81205 287T6201-17 81205 287T6201-20	A-BA, BC-BF ,BM-B V,B X-BZ CB-CR ,CT,C Z,DB, DD,DF ,DK DN-DP ,DS- EA,E C-EH, EK-ES	4
979	NAS6603-2		..BOLT- (USED ON ITEMS 5M, 5Q)	A-BA, BC-BF ,BM-B V,B X-BZ CB-CR ,CT,C Z,DB, DD,DF ,DK DN-DP ,DS- EA,E C-EH, EK-ES	6

32-21-21

 ILLUSTRATED PARTS LIST
 01.101 Page 1084B
 Nov 01/05


BOEING
 COMPONENT
 MAINTENANCE MANUAL

FIG. & ITEM	PART NO.	AIRLINE PART NUMBER	NOMENCLATURE 1234567	EFF CODE	QTY PER ASSY
04-981	AN960JD10L		..WASHER- (USED ON ITEMS 5M, 5Q)	A-BA, BC-BF ,BM-B V,B X-BZ CB-CR ,CT,C Z,DB, DD,DF ,DK DN-DP ,DS- EA,E C-EH, EK-ES	6
983	287T6202-73		..BRACKET ASSY- (USED ON ITEMS 5M, 5Q)	A-BA, BC-BF ,BM-B V,B X-BZ CB-CR ,CT,C Z,DB, DD,DF ,DK DN-DP ,DS- EA,E C-EH, EK-ES	1
984	BACR15BA3AD		...RIVET- (SIZE DETERMINE ON INST)	A-BA, BC-BF ,BM-B V,B X-BZ CB-CR ,CT,C Z,DB, DD,DF ,DK DN-DP ,DS- EA,E C-EH, EK-ES	4

32-21-21

 ILLUSTRATED PARTS LIST
 01.101 Page 1084C
 Nov 01/05

FIG. & ITEM	PART NO.	AIRLINE PART NUMBER	NOMENCLATURE 1234567	EFF CODE	QTY PER ASSY
04-985	BRFM20A3		...NUTPLATE- (V52828) (SPEC BACN10JN3) (OPT MF1000-3BAC (V15653)) (OPT NS103218-02 (V80539)) (OPT RMF9201M3 (V72962)) (OPT VN252A02 (V92215)) (OPT MF1000-3BAC (V15653)) (OPT MF53049-3 (V15653))	A-BA, BC-BF ,BM-B V,B X-BZ CB-CR ,CT,C Z,DB, DD,DF ,DK DN-DP ,DS- EA,E C-EH, EK-ES	2
985G	NAS1801-04-5		...SCREW	A-BA, BC-BF ,BM-B V,B X-BZ CB-CR ,CT,C Z,DB, DD,DF ,DK DN-DP ,DS- EA,E C-EH, EK-ES	4
985J	AN960JD4L		...WASHER	A-BA, BC-BF ,BM-B V,B X-BZ CB-CR ,CT,C Z,DB, DD,DF ,DK DN-DP ,DS- EA,E C-EH, EK-ES	4

32-21-21

 ILLUSTRATED PARTS LIST
 01.101 Page 1084D
 Nov 01/05

BOEING
 COMPONENT
 MAINTENANCE MANUAL

FIG. & ITEM	PART NO.	AIRLINE PART NUMBER	NOMENCLATURE	EFF CODE	QTY PER ASSY
04-985L	MS21042L04		1234567 ...NUT	A-BA, BC-BF ,BM-B V,B X-BZ CB-CR ,CT,C Z,DB, DD,DF ,DK DN-DP ,DS- EA,E C-EH, EK-ES	4
986	M83723-61-118A		...RECEPTACLE	A-BA, BC-BF ,BM-B V,B X-BZ CB-CR ,CT,C Z,DB, DD,DF ,DK DN-DP ,DS- EA,E C-EH, EK-ES	1
987	287T6202-74		...BRACKET	A-BA, BC-BF ,BM-B V,B X-BZ CB-CR ,CT,C Z,DB, DD,DF ,DK DN-DP ,DS- EA,E C-EH, EK-ES	1

32-21-21

ILLUSTRATED PARTS LIST
 01.101 Page 1084E
 Nov 01/05

FIG. & ITEM	PART NO.	AIRLINE PART NUMBER	NOMENCLATURE 1234567	EFF CODE	QTY PER ASSY
04-989	287T6202-75		..BRACKET ASSY- (USED ON ITEMS 5M, 5Q)	A-BA, BC-BF ,BM-B V,B X-BZ CB-CR ,CT,C Z,DB, DD,DF ,DK DN-DP ,DS- EA,E C-EH, EK-ES	1
990	BACR15BA5AD		...RIVET- (SIZE DETERMINE ON INST)	A-BA, BC-BF ,BM-B V,B X-BZ CB-CR ,CT,C Z,DB, DD,DF ,DK DN-DP ,DS- EA,E C-EH, EK-ES	5
991	287T6202-77		...STIFFENER	A-BA, BC-BF ,BM-B V,B X-BZ CB-CR ,CT,C Z,DB, DD,DF ,DK DN-DP ,DS- EA,E C-EH, EK-ES	1

32-21-21

 ILLUSTRATED PARTS LIST
 01.101 Page 1084F
 Nov 01/05


BOEING
 COMPONENT
 MAINTENANCE MANUAL

FIG. & ITEM	PART NO.	AIRLINE PART NUMBER	NOMENCLATURE 1234567	EFF CODE	QTY PER ASSY
04-992	BACR15BA3AD		...RIVET- (SIZE DETERMINE ON INST)	A-BA, BC-BF ,BM-B V,B X-BZ CB-CR ,CT,C Z,DB, DD,DF ,DK DN-DP ,DS- EA,E C-EH, EK-ES	14
993	BRFM20A3		...NUTPLATE- (V52828) (SPEC BACN10JN3) (OPT MF1000-3BAC (V15653)) (OPT NS103218-02 (V80539)) (OPT RMF9201M3 (V72962)) (OPT VN252A02 (V92215)) (OPT MF1000-3BAC (V15653)) (OPT MF53049-3 (V15653))	A-BA, BC-BF ,BM-B V,B X-BZ CB-CR ,CT,C Z,DB, DD,DF ,DK DN-DP ,DS- EA,E C-EH, EK-ES	3
994	BRM200A3		...NUTPLATE- (V52828) (SPEC BACN10JP3A) (OPT MK1000-3BAC (V15653)) (OPT NS103197-02 (V80539)) (OPT RMA9201M3 (V72962)) (OPT T8076S1032 (V11815)) (OPT VN202A1-02 (V92215))	A-BA, BC-BF ,BM-B V,B X-BZ CB-CR ,CT,C Z,DB, DD,DF ,DK DN-DP ,DS- EA,E C-EH, EK-ES	4

32-21-21

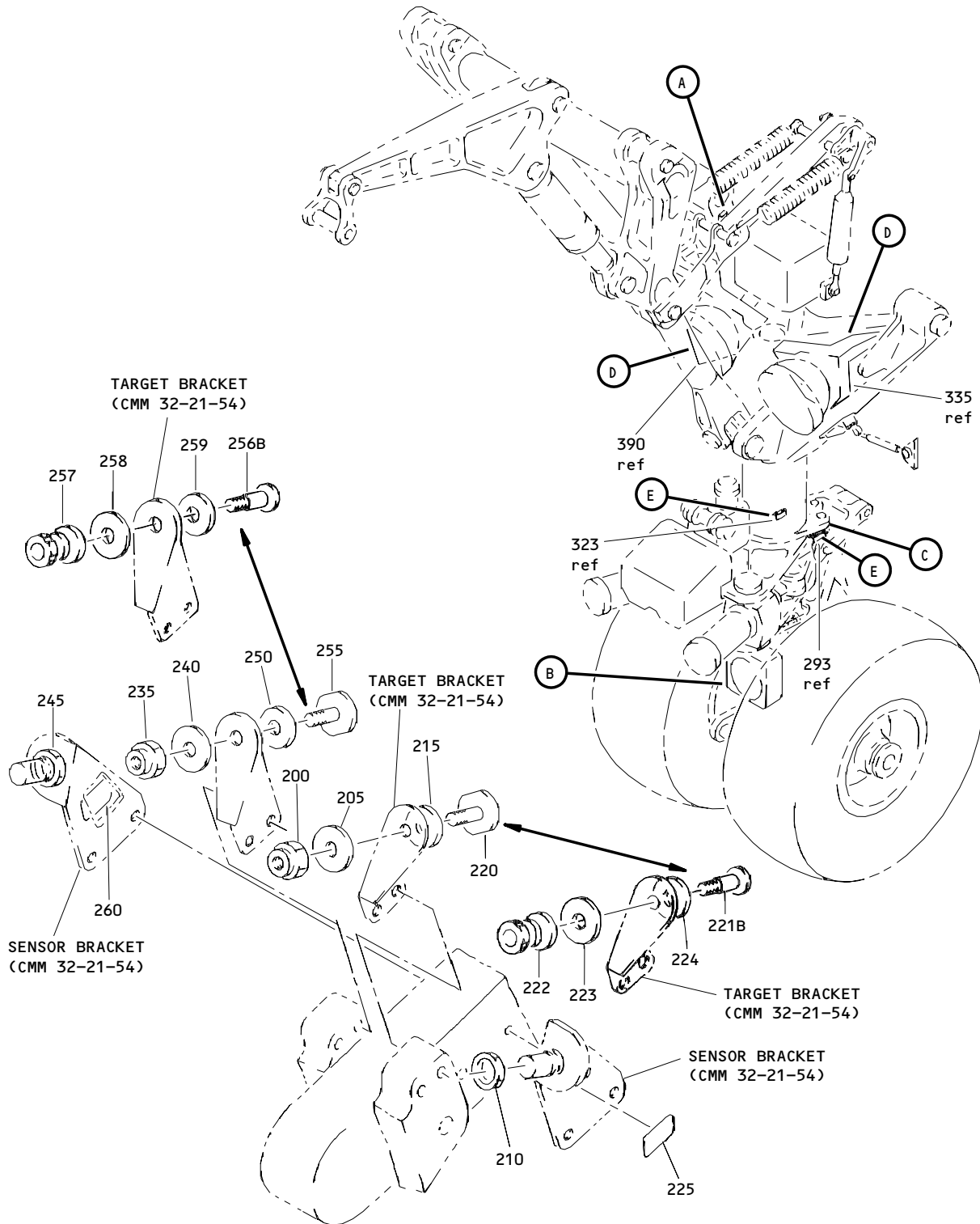
 ILLUSTRATED PARTS LIST
 01.101 Page 1084G
 Nov 01/05

FIG. & ITEM	PART NO.	AIRLINE PART NUMBER	NOMENCLATURE	EFF CODE	QTY PER ASSY
04-995	287T6202-76		1234567 ...BRACKET	A-BA, BC-BF ,BM-B V,B X-BZ CB-CR ,CT,C Z,DB, DD,DF ,DK DN-DP ,DS- EA,E C-EH, EK-ES	1

- Item Not Illustrated

32-21-21

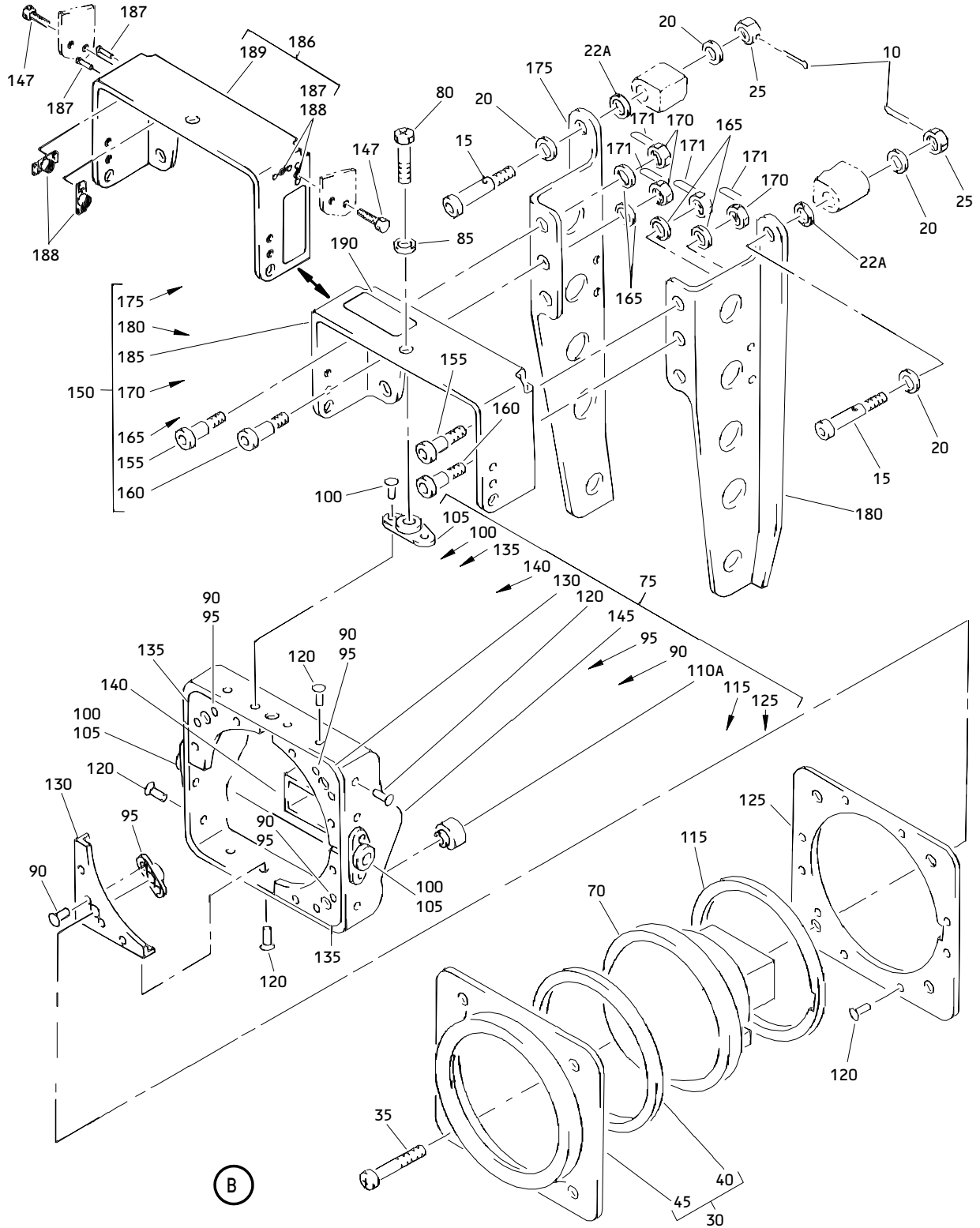
ILLUSTRATED PARTS LIST
 01.101 Page 1084H
 Nov 01/05



Nose Landing Gear Electronic Equipment Installation
 Figure 5 (Sheet 1)

32-21-21

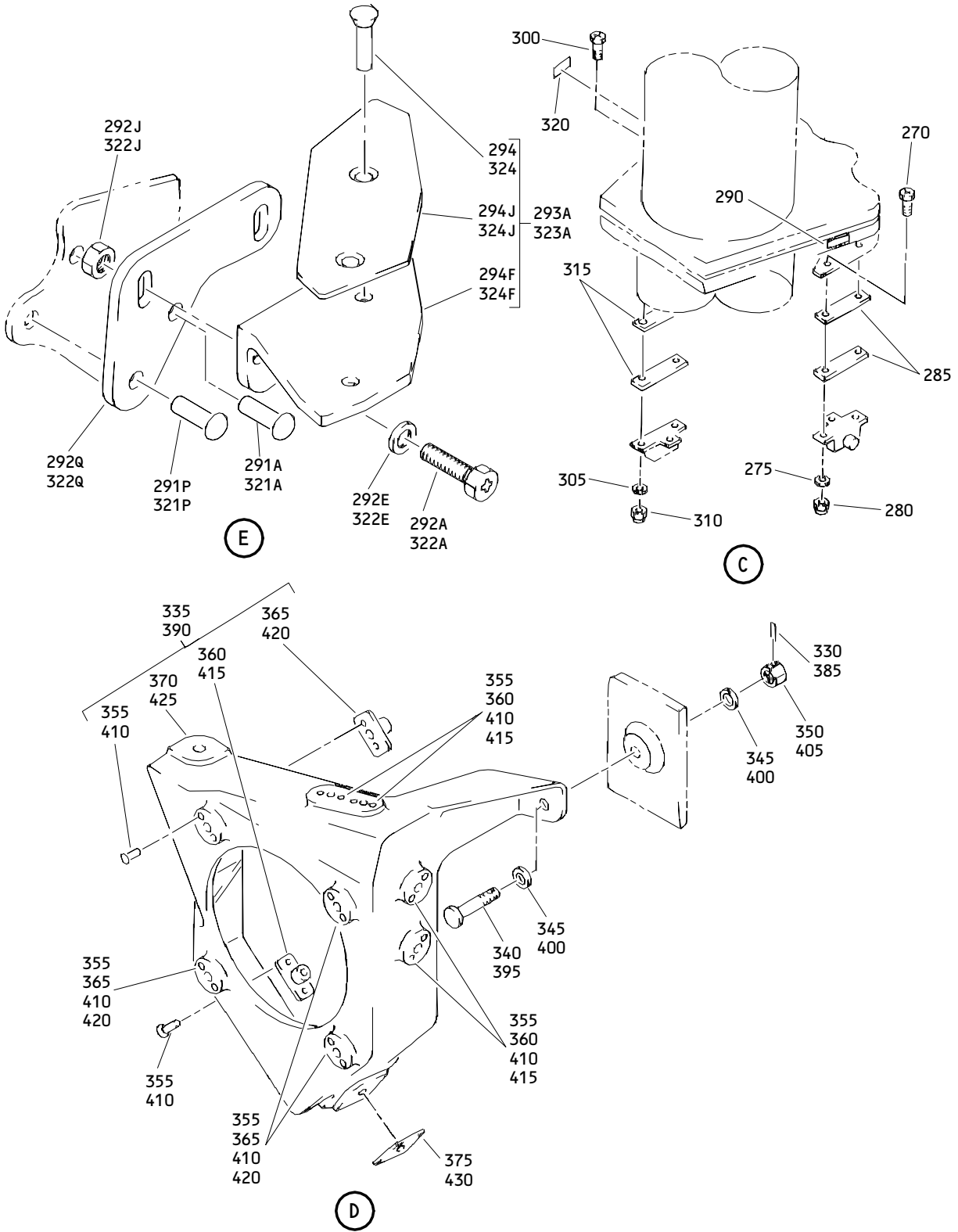
ILLUSTRATED PARTS LIST
 01.1 Page 1084J
 Nov 01/05



Nose Landing Gear Electronic Equipment Installation
Figure 5 (Sheet 2)

32-21-21

ILLUSTRATED PARTS LIST
01.1 Page 1084K
Nov 01/05



Nose Landing Gear Electronic Equipment Installation
Figure 5 (Sheet 3)

32-21-21

ILLUSTRATED PARTS LIST
01.101 Page 1084L
Nov 01/05

BOEING
 COMPONENT
 MAINTENANCE MANUAL

FIG. & ITEM	PART NO.	AIRLINE PART NUMBER	NOMENCLATURE	EFF CODE	QTY PER ASSY
05- -1	284T6200-2		EQUIPMENT INSTL-NLG ELEC	A-BA, BC-BF ,BM-B V,B X-BZ CB-CR ,CT,C Z,DB, DD,DF ,DK DN-DP ,DS- EA,E C-EH, EK-ES	RF
-3	284T6200-5001		.EQUIPMENT INSTL- (LIMITED)	A-BA, BC-BF ,BM-B V,B X-BZ CB-CR ,CT,C Z,DB, DD,DF ,DK DN-DP ,DS- EA,E C-EH, EK-ES	1
-3A	284T6200-5002		.EQUIPMENT INSTL- (LIMITED)	A-BA, BC-BF ,BM-B V,B X-BZ CB-CR ,CT,C Z,DB, DD,DF ,DK DN-DP ,DS- EA,E C-EH, EK-ES	1

32-21-21

ILLUSTRATED PARTS LIST
 01.101 Page 1084M
 Nov 01/05

FIG. & ITEM	PART NO.	AIRLINE PART NUMBER	NOMENCLATURE 1234567	EFF CODE	QTY PER ASSY
05- -3B	284T6200-5005		.EQUIPMENT INSTL- (LIMITED)	A-BA, BC-BF ,BM-B V,B X-BZ CB-CR ,CT,C Z,DB, DD,DF ,DK DN-DP ,DS- EA,E C-EH, EK-ES	1
-3C	284T6200-5006		.EQUIPMENT INSTL- (LIMITED)	A-BA, BC-BF ,BM-B V,B X-BZ CB-CR ,CT,C Z,DB, DD,DF ,DK DN-DP ,DS- EA,E C-EH, EK-ES	1
-3D	284T6200-5007		.COLLECTOR-LIMITED PART (LIMITED)	A-BA, BC-BF ,BM-B V,B X-BZ CB-CR ,CT,C Z,DB, DD,DF ,DK DN-DP ,DS- EA,E C-EH, EK-ES	1

32-21-21

 ILLUSTRATED PARTS LIST
 01.101 Page 1084N
 Nov 01/05

BOEING
 COMPONENT
 MAINTENANCE MANUAL

FIG. & ITEM	PART NO.	AIRLINE PART NUMBER	NOMENCLATURE 1234567	EFF CODE	QTY PER ASSY
05- -3E	284T6200-5008		.EQUIPMENT INSTL (LIMITED)		1
-3F	284T6200-5009		.EQUIPMENT INSTL (LIMITED)		1
-3G	284T6200-5010		.EQUIPMENT INSTL (LIMITED)		1
-5	284T0235-1		..LIGHT INSTL-TAXI (USED ON ITEM 3,3G)	A-BA, BC-BF ,BM-B V,B X-BZ CB-CR ,CT,C Z,DB, DD,DF ,DK DN-DP ,DS- EA,E C-EH, EK-ES	1
-5A	284T0235-5		..LIGHT INSTL-TAXI (USED ON ITEM 3C) (FOR DETAILS SEE FIG. 9)	A-BA, BC-BF ,BM-B V,B X-BZ CB-CR ,CT,C Z,DB, DD,DF ,DK DN-DP ,DS- EA,E C-EH, EK-ES	1

32-21-21

ILLUSTRATED PARTS LIST
 01.1 Page 10840
 Nov 01/05

FIG. & ITEM	PART NO.	AIRLINE PART NUMBER	NOMENCLATURE 1234567	EFF CODE	QTY PER ASSY
05- -7	284T0235-5001		...LIGHT INSTL-TAXI (LIMITED)	A-BA, BC-BF ,BM-B V,B X-BZ CB-CR ,CT,C Z,DB, DD,DF ,DK DN-DP ,DS- EA,E C-EH, EK-ES	1
-7A	284T0235-5002		...LIGHT INSTL-TAXI (LIMITED)	A-BA, BC-BF ,BM-B V,B X-BZ CB-CR ,CT,C Z,DB, DD,DF ,DK DN-DP ,DS- EA,E C-EH, EK-ES	1
-7B	284T0235-5005		...LIGHT INSTL-TAXI (LIMITED)	A-BA, BC-BF ,BM-B V,B X-BZ CB-CR ,CT,C Z,DB, DD,DF ,DK DN-DP ,DS- EA,E C-EH, EK-ES	1

32-21-21

 ILLUSTRATED PARTS LIST
 01.101 Page 1084P
 Nov 01/05

BOEING
 COMPONENT
 MAINTENANCE MANUAL

FIG. & ITEM	PART NO.	AIRLINE PART NUMBER	NOMENCLATURE	EFF CODE	QTY PER ASSY
05-7C	284T0235-5006		1234567 ...LIGHT INSTL-TAXI (LIMITED)	A-BA, BC-BF ,BM-B V,B X-BZ CB-CR ,CT,C Z,DB, DD,DF ,DK DN-DP ,DS- EA,E C-EH, EK-ES	1
10	MS24665-287	PIN-COTTER	A-BA, BC-BF ,BM-B V,B X-BZ CB-CR ,CT,C Z,DB, DD,DF ,DK DN-DP ,DS- EA,E C-EH, EK-ES	2
15	BACB30NF6D22	BOLT	A-BA, BC-BF ,BM-B V,B X-BZ CB-CR ,CT,C Z,DB, DD,DF ,DK DN-DP ,DS- EA,E C-EH, EK-ES	2

32-21-21

ILLUSTRATED PARTS LIST
 01.101 Page 1084Q
 Nov 01/05

FIG. & ITEM	PART NO.	AIRLINE PART NUMBER	NOMENCLATURE	EFF CODE	QTY PER ASSY
05-20	AN960PD616		1234567WASHER	A-BA, BC-BF ,BM-B V,B X-BZ CB-CR ,CT,C Z,DB, DD,DF ,DK DN-DP ,DS- EA,E C-EH, EK-ES	4
22 22A	AN960PD616L AN960-616L		DELETEDWASHER	A-BA, BC-BF ,BM-B V,B X-BZ CB-CR ,CT,C Z,DB, DD,DF ,DK DN-DP ,DS- EA,E C-EH, EK-ES	2

32-21-21

 ILLUSTRATED PARTS LIST
 01.101 Page 1084R
 Nov 01/05

BOEING
 COMPONENT
 MAINTENANCE MANUAL

FIG. & ITEM	PART NO.	AIRLINE PART NUMBER	NOMENCLATURE	EFF CODE	QTY PER ASSY
05-25	BACN10JD6		1234567NUT	A-BA, BC-BF ,BM-B V,B X-BZ CB-CR ,CT,C Z,DB, DD,DF ,DK DN-DP ,DS- EA,E C-EH, EK-ES	2
30	9-65896-3	RETAINER ASSY	A-BA, BC-BF ,BM-B V,B X-BZ CB-CR ,CT,C Z,DB, DD,DF ,DK DN-DP ,DS- EA,E C-EH, EK-ES	1

32-21-21

ILLUSTRATED PARTS LIST
 01.101 Page 1084S
 Nov 01/05

FIG. & ITEM	PART NO.	AIRLINE PART NUMBER	NOMENCLATURE 1234567	EFF CODE	QTY PER ASSY
05- 35	NAS1801-3-7		ATTACHING PARTSSCREW	A-BA, BC-BF ,BM-B V,B X-BZ CB-CR ,CT,C Z,DB, DD,DF ,DK DN-DP ,DS- EA,E C-EH, EK-ES	4
40	9-65896-2		-----*-----GASKET	A-BA, BC-BF ,BM-B V,B X-BZ CB-CR ,CT,C Z,DB, DD,DF ,DK DN-DP ,DS- EA,E C-EH, EK-ES	1

32-21-21

 ILLUSTRATED PARTS LIST
 01.101 Page 1084T
 Nov 01/05

BOEING
 COMPONENT
 MAINTENANCE MANUAL

FIG. & ITEM	PART NO.	AIRLINE PART NUMBER	NOMENCLATURE	EFF CODE	QTY PER ASSY
05-45	9-65896-1	RETAINER	A-BA, BC-BF ,BM-B V,B X-BZ CB-CR ,CT,C Z,DB, DD,DF ,DK DN-DP ,DS- EA,E C-EH, EK-ES	1
70	4551	LAMP- (V08806) (USED ON ITEMS 7, 7A, 7C)	A-BA, BC-BF ,BM-B V,B X-BZ CB-CR ,CT,C Z,DB, DD,DF ,DK DN-DP ,DS- EA,E C-EH, EK-ES	1
-70A	4553	LAMP- (V08806) (USED ON ITEM 7B)	A-BA, BC-BF ,BM-B V,B X-BZ CB-CR ,CT,C Z,DB, DD,DF ,DK DN-DP ,DS- EA,E C-EH, EK-ES	1

32-21-21

ILLUSTRATED PARTS LIST
 01.101 Page 1084U
 Nov 01/05

FIG. & ITEM	PART NO.	AIRLINE PART NUMBER	NOMENCLATURE 1234567	EFF CODE	QTY PER ASSY
05-75	69-21227-3	LIGHT ASSY-HSG	A-BA, BC-BF ,BM-B V,B X-BZ CB-CR ,CT,C Z,DB, DD,DF ,DK DN-DP ,DS- EA,E C-EH, EK-ES	1
-77	MS24665-210		ATTACHING PARTSPIN-COTTER	A-BA, BC-BF ,BM-B V,B X-BZ CB-CR ,CT,C Z,DB, DD,DF ,DK DN-DP ,DS- EA,E C-EH, EK-ES	AR

32-21-21

 ILLUSTRATED PARTS LIST
 01.101 Page 1084V
 Nov 01/05

BOEING
 COMPONENT
 MAINTENANCE MANUAL

FIG. & ITEM	PART NO.	AIRLINE PART NUMBER	NOMENCLATURE	EFF CODE	QTY PER ASSY
05-80	NAS1801-4D8		1234567SCREW	A-BA, BC-BF ,BM-B V,B X-BZ CB-CR ,CT,C Z,DB, DD,DF ,DK DN-DP ,DS- EA,E C-EH, EK-ES	3
85	AN960PD416	WASHER -----*-----	A-BA, BC-BF ,BM-B V,B X-BZ CB-CR ,CT,C Z,DB, DD,DF ,DK DN-DP ,DS- EA,E C-EH, EK-ES	3

32-21-21

ILLUSTRATED PARTS LIST
 01.101 Page 1084W
 Nov 01/05

FIG. & ITEM	PART NO.	AIRLINE PART NUMBER	NOMENCLATURE 1234567	EFF CODE	QTY PER ASSY
05-90	MS20426D3	RIVET- (SIZE DETERMINE ON INST)	A-BA, BC-BF ,BM-B V,B X-BZ CB-CR ,CT,C Z,DB, DD,DF ,DK DN-DP ,DS- EA,E C-EH, EK-ES	8
95	NAS680A3	NUTPLATE	A-BA, BC-BF ,BM-B V,B X-BZ CB-CR ,CT,C Z,DB, DD,DF ,DK DN-DP ,DS- EA,E C-EH, EK-ES	4
100	MS20426D4	RIVET- (SIZE DETERMINE ON INST)	A-BA, BC-BF ,BM-B V,B X-BZ CB-CR ,CT,C Z,DB, DD,DF ,DK DN-DP ,DS- EA,E C-EH, EK-ES	6

32-21-21

 ILLUSTRATED PARTS LIST
 01.101 Page 1084X
 Nov 01/05

BOEING
 COMPONENT
 MAINTENANCE MANUAL

FIG. & ITEM	PART NO.	AIRLINE PART NUMBER	NOMENCLATURE	EFF CODE	QTY PER ASSY
05-105	3-93398	FITTING	A-BA, BC-BF ,BM-B V,B X-BZ CB-CR ,CT,C Z,DB, DD,DF ,DK DN-DP ,DS- EA,E C-EH, EK-ES	3
110 110A	A7124 A7124-1		DELETEDBUSHING- (V72914)	A-BA, BC-BF ,BM-B V,B X-BZ CB-CR ,CT,C Z,DB, DD,DF ,DK DN-DP ,DS- EA,E C-EH, EK-ES	1

32-21-21

ILLUSTRATED PARTS LIST
 01.101 Page 1084Y
 Nov 01/05

FIG. & ITEM	PART NO.	AIRLINE PART NUMBER	NOMENCLATURE	EFF CODE	QTY PER ASSY
05-115	9-65897-3	GASKET	A-BA, BC-BF ,BM-B V,B X-BZ CB-CR ,CT,C Z,DB, DD,DF ,DK DN-DP ,DS- EA,E C-EH, EK-ES	1
120	MS20426D4	RIVET- (SIZE DETERMINE ON INST)	A-BA, BC-BF ,BM-B V,B X-BZ CB-CR ,CT,C Z,DB, DD,DF ,DK DN-DP ,DS- EA,E C-EH, EK-ES	19

32-21-21

 ILLUSTRATED PARTS LIST
 01.101 Page 1084Z
 Nov 01/05

BOEING
 COMPONENT
 MAINTENANCE MANUAL

FIG. & ITEM	PART NO.	AIRLINE PART NUMBER	NOMENCLATURE	EFF CODE	QTY PER ASSY
05-125	9-65897-2	FACEPLATE	A-BA, BC-BF ,BM-B V,B X-BZ CB-CR ,CT,C Z,DB, DD,DF ,DK DN-DP ,DS- EA,E C-EH, EK-ES	1
130	3-93916-1	SUPPORT	A-BA, BC-BF ,BM-B V,B X-BZ CB-CR ,CT,C Z,DB, DD,DF ,DK DN-DP ,DS- EA,E C-EH, EK-ES	2

32-21-21

ILLUSTRATED PARTS LIST
 01.101 Page 1085
 Nov 01/05

FIG. & ITEM	PART NO.	AIRLINE PART NUMBER	NOMENCLATURE 1234567	EFF CODE	QTY PER ASSY
05-135	3-93916-2	SUPPORT	A-BA, BC-BF ,BM-B V,B X-BZ CB-CR ,CT,C Z,DB, DD,DF ,DK DN-DP ,DS- EA,E C-EH, EK-ES	2
140	9-65897-4	INSULATOR	A-BA, BC-BF ,BM-B V,B X-BZ CB-CR ,CT,C Z,DB, DD,DF ,DK DN-DP ,DS- EA,E C-EH, EK-ES	1
145	69-21227-2	HOUSING	A-BA, BC-BF ,BM-B V,B X-BZ CB-CR ,CT,C Z,DB, DD,DF ,DK DN-DP ,DS- EA,E C-EH, EK-ES	1

32-21-21

 ILLUSTRATED PARTS LIST
 01.101 Page 1086
 Nov 01/05

BOEING
 COMPONENT
 MAINTENANCE MANUAL

FIG. & ITEM	PART NO.	AIRLINE PART NUMBER	NOMENCLATURE	EFF CODE	QTY PER ASSY
05- 147 150	NAS1802-3-8 284T0235-2		1234567 ...SCREWSUPPORT ASSY- (USED ON ITEMS 7, 7B)	A-BA, BC-BF ,BM-B V,B X-BZ CB-CR ,CT,C Z,DB, DD,DF ,DK DN-DP ,DS- EA,E C-EH, EK-ES	4 1
-150A	284T0235-4	SUPPORT ASSY- (USED ON ITEM 7A)	A-BA, BC-BF ,BM-B V,B X-BZ CB-CR ,CT,C Z,DB, DD,DF ,DK DN-DP ,DS- EA,E C-EH, EK-ES	1

32-21-21

ILLUSTRATED PARTS LIST
 01.101 Page 1086A
 Nov 01/05

FIG. & ITEM	PART NO.	AIRLINE PART NUMBER	NOMENCLATURE	EFF CODE	QTY PER ASSY
			1234567		
05- -150B	284T0235-7	SUPPORT ASSY- (USED ON ITEM 7C)	A-BA, BC-BF ,BM-B V,B X-BZ CB-CR ,CT,C Z,DB, DD,DF ,DK DN-DP ,DS- EA,E C-EH, EK-ES	1
153 155	MS24665-210 BACB30NF4D5		DELETEDBOLT	A-BA, BC-BF ,BM-B V,B X-BZ CB-CR ,CT,C Z,DB, DD,DF ,DK DN-DP ,DS- EA,E C-EH, EK-ES	2

32-21-21

 ILLUSTRATED PARTS LIST
 01.101 Page 1086B
 Nov 01/05

BOEING
 COMPONENT
 MAINTENANCE MANUAL

FIG. & ITEM	PART NO.	AIRLINE PART NUMBER	NOMENCLATURE 1234567	EFF CODE	QTY PER ASSY
05-160	BACB30NF4D4	BOLT	A-BA, BC-BF ,BM-B V,B X-BZ CB-CR ,CT,C Z,DB, DD,DF ,DK DN-DP ,DS- EA,E C-EH, EK-ES	4
165	AN960PD416	WASHER	A-BA, BC-BF ,BM-B V,B X-BZ CB-CR ,CT,C Z,DB, DD,DF ,DK DN-DP ,DS- EA,E C-EH, EK-ES	6
170	BACN10JD4	NUT	A-BA, BC-BF ,BM-B V,B X-BZ CB-CR ,CT,C Z,DB, DD,DF ,DK DN-DP ,DS- EA,E C-EH, EK-ES	6

32-21-21

ILLUSTRATED PARTS LIST
 01.101 Page 1086C
 Nov 01/05

FIG. & ITEM	PART NO.	AIRLINE PART NUMBER	NOMENCLATURE	EFF CODE	QTY PER ASSY
05- 171 175	MS24665-134 284T0236-2	PIN-COTTERSUPPORT-ZEE	A-BA, BC-BF ,BM-B V,B X-BZ CB-CR ,CT,C Z,DB, DD,DF ,DK DN-DP ,DS- EA,E C-EH, EK-ES	6 1
180	284T0236-1	SUPPORT-ZEE (USED ON ITEM 150)	A-BA, BC-BF ,BM-B V,B X-BZ CB-CR ,CT,C Z,DB, DD,DF ,DK DN-DP ,DS- EA,E C-EH, EK-ES	1

32-21-21

 ILLUSTRATED PARTS LIST
 01.1 Page 1086D
 Nov 01/05

BOEING
 COMPONENT
 MAINTENANCE MANUAL

FIG. & ITEM	PART NO.	AIRLINE PART NUMBER	NOMENCLATURE	EFF CODE	QTY PER ASSY
05-180A	284T0236-3	SUPPORT-ZEE (USED ON ITEMS 150A, 150B)	A-BA, BC-BF ,BM-B V,B X-BZ CB-CR ,CT,C Z,DB, DD,DF ,DK DN-DP ,DS- EA,E C-EH, EK-ES	1
185	284T0237-1	BRACKET- (USED ON ITEMS 150, 150B)	A-BA, BC-BF ,BM-B V,B X-BZ CB-CR ,CT,C Z,DB, DD,DF ,DK DN-DP ,DS- EA,E C-EH, EK-ES	1
186	284T0237-2	BRACKET ASSY- (USED ON ITEM 150A)	A-BA, BC-BF ,BM-B V,B X-BZ CB-CR ,CT,C Z,DB, DD,DF ,DK DN-DP ,DS- EA,E C-EH, EK-ES	1

32-21-21

ILLUSTRATED PARTS LIST
 01.101 Page 1086E
 Nov 01/05

FIG. & ITEM	PART NO.	AIRLINE PART NUMBER	NOMENCLATURE	EFF CODE	QTY PER ASSY
05-187	BACR15BA3AD	RIVET- (SIZE DETERMINE ON INST)	A-BA, BC-BF ,BM-B V,B X-BZ CB-CR ,CT,C Z,DB, DD,DF ,DK DN-DP ,DS- EA,E C-EH, EK-ES	8
188	BRFM20A3	NUTPLATE- (V52828) (SPEC BACN10JN3) (OPT MF1000-3BAC (V15653)) (OPT NS103218-02 (V80539)) (OPT RMF9201M3 (V72962)) (OPT VN252A02 (V92215)) (OPT MF1000-3BAC (V15653)) (OPT MF53049-3 (V15653))	A-BA, BC-BF ,BM-B V,B X-BZ CB-CR ,CT,C Z,DB, DD,DF ,DK DN-DP ,DS- EA,E C-EH, EK-ES	4
189	284T0237-1	BRACKET	A-BA, BC-BF ,BM-B V,B X-BZ CB-CR ,CT,C Z,DB, DD,DF ,DK DN-DP ,DS- EA,E C-EH, EK-ES	1

32-21-21

 ILLUSTRATED PARTS LIST
 01.101 Page 1086F
 Nov 01/05


BOEING
 COMPONENT
 MAINTENANCE MANUAL

FIG. & ITEM	PART NO.	AIRLINE PART NUMBER	NOMENCLATURE 1234567	EFF CODE	QTY PER ASSY
05-190	BAC27TEX2349	MARKER-TAXI LIGHT L59 250W USE LAMP 4551 (USED ON ITEMS 7, 7A, 7C)	A-BA, BC-BF ,BM-B V,B X-BZ CB-CR ,CT,C Z,DB, DD,DF ,DK DN-DP ,DS- EA,E C-EH, EK-ES	1
-190A	BAC27TEX4065	MARKER-TAXI LIGHT L59 250W USE LAMP 4553 (USED ON ITEM 7B)	A-BA, BC-BF ,BM-B V,B X-BZ CB-CR ,CT,C Z,DB, DD,DF ,DK DN-DP ,DS- EA,E C-EH, EK-ES	1
-195	284T0268-1		..SENSOR INSTL-LOCKED SYS 1 (S00233) (USED ON ITEMS 3-3D, 3G)	A-BA, BC-BF ,BM-B V,B X-BZ CB-CR ,CT,C Z,DB, DD,DF ,DK DN-DP ,DS- EA,E C-EH, EK-ES	1

32-21-21

ILLUSTRATED PARTS LIST

01.1 Page 1086G

Nov 01/05

FIG. & ITEM	PART NO.	AIRLINE PART NUMBER	NOMENCLATURE 1234567	EFF CODE	QTY PER ASSY
05- -197	284T0268-5001		...SENSOR INSTL- (LIMITED)	A-BA, BC-BF ,BM-B V,B X-BZ CB-CR ,CT,C Z,DB, DD,DF ,DK DN-DP ,DS- EA,E C-EH, EK-ES	1
-197A	284T0268-5003		...SENSOR INSTL- (LIMITED)	A-BA, BC-BF ,BM-B V,B X-BZ CB-CR ,CT,C Z,DB, DD,DF ,DK DN-DP ,DS- EA,E C-EH, EK-ES	1

32-21-21

 ILLUSTRATED PARTS LIST
 01.101 Page 1086H
 Nov 01/05

BOEING
 COMPONENT
 MAINTENANCE MANUAL

FIG. & ITEM	PART NO.	AIRLINE PART NUMBER	NOMENCLATURE	EFF CODE	QTY PER ASSY
05-200	H10-3BAC		1234567NUT- (V15653) (SPEC BACN10JC3) (OPT NS202101-02 (V80539)) (OPT RMLH9075-3W (V72962)) (OPT T6S1032J (V71087)) (OPT VN303A02 (V92215)) (OPT 96-02 (V80539)) (OPT BRH10A3 (V52828)) (USED ON ITEM 197)	A-BA, BC-BF ,BM-B V,B X-BZ CB-CR ,CT,C Z,DB, DD,DF ,DK DN-DP ,DS- EA,E C-EH, EK-ES	1
205	BACW10BP3APU	WASHER- (USED ON ITEM 197)	A-BA, BC-BF ,BM-B V,B X-BZ CB-CR ,CT,C Z,DB, DD,DF ,DK DN-DP ,DS- EA,E C-EH, EK-ES	1

32-21-21

ILLUSTRATED PARTS LIST
 01.101 Page 1086I
 Nov 01/05

FIG. & ITEM	PART NO.	AIRLINE PART NUMBER	NOMENCLATURE	EFF CODE	QTY PER ASSY
05-210	MS21340-25		1234567 NUT	A-BA, BC-BF ,BM-B V,B X-BZ CB-CR ,CT,C Z,DB, DD,DF ,DK DN-DP ,DS- EA,E C-EH, EK-ES	1
215	69B96332-1	SHIM- (USED ON ITEM 197)	A-BA, BC-BF ,BM-B V,B X-BZ CB-CR ,CT,C Z,DB, DD,DF ,DK DN-DP ,DS- EA,E C-EH, EK-ES	AR

32-21-21

 ILLUSTRATED PARTS LIST
 01.101 Page 1086J
 Nov 01/05

BOEING
 COMPONENT
 MAINTENANCE MANUAL

FIG. & ITEM	PART NO.	AIRLINE PART NUMBER	NOMENCLATURE 1234567	EFF CODE	QTY PER ASSY
05-220	162T3010-1	TARGET- (USED ON ITEM 197)	A-BA, BC-BF ,BM-B V,B X-BZ CB-CR ,CT,C Z,DB, DD,DF ,DK DN-DP ,DS- EA,E C-EH, EK-ES	1
221	HL441UC6-6		DELETED		
221A	HL19PB6-6		DELETED		
221B	HL19PB6-9	BOLT- (V56878) (SPEC BACB30FN6-9) (OPT HL19PB6-9 (V73197)) (OPT HL19PB6-9 (V92215)) (OPT HL19PB6-9 (V97928)) (OPT 62547-6-9 (V56878)) (OPT HL19PB6-9 (V80539)) (OPT HL19PB6-9 (V08524)) (USED ON ITEM 197A)	A-BA, BC-BF ,BM-B V,B X-BZ CB-CR ,CT,C Z,DB, DD,DF ,DK DN-DP ,DS- EA,E C-EH, EK-ES	1

32-21-21

ILLUSTRATED PARTS LIST
 01.101 Page 1086K
 Nov 01/05

FIG. & ITEM	PART NO.	AIRLINE PART NUMBER	NOMENCLATURE	EFF CODE	QTY PER ASSY
05-222	HL79-6	COLLAR- (V56878) (SPEC BACC30M6) (OPT HL79-6 (V73197)) (OPT HL79-6 (V92215)) (OPT 66014-6 (V56878)) (USED ON ITEM 197A)	A-BA, BC-BF ,BM-B V,B X-BZ CB-CR ,CT,C Z,DB, DD,DF ,DK DN-DP ,DS- EA,E C-EH, EK-ES	1
223	69B96332-1	SHIM- (USED ON ITEM 197A)	A-BA, BC-BF ,BM-B V,B X-BZ CB-CR ,CT,C Z,DB, DD,DF ,DK DN-DP ,DS- EA,E C-EH, EK-ES	AR

32-21-21

 ILLUSTRATED PARTS LIST
 01.101 Page 1086L
 Nov 01/05

BOEING
 COMPONENT
 MAINTENANCE MANUAL

FIG. & ITEM	PART NO.	AIRLINE PART NUMBER	NOMENCLATURE	EFF CODE	QTY PER ASSY
05-224	284T0870-1		1234567TARGET- (USED ON ITEM 197A)	A-BA, BC-BF ,BM-B V,B X-BZ CB-CR ,CT,C Z,DB, DD,DF ,DK DN-DP ,DS- EA,E C-EH, EK-ES	1
225	BAC27TEX1088	MARKER-S233	A-BA, BC-BF ,BM-B V,B X-BZ CB-CR ,CT,C Z,DB, DD,DF ,DK DN-DP ,DS- EA,E C-EH, EK-ES	1

32-21-21

ILLUSTRATED PARTS LIST
 01.101 Page 1086M
 Nov 01/05

FIG. & ITEM	PART NO.	AIRLINE PART NUMBER	NOMENCLATURE 1234567	EFF CODE	QTY PER ASSY
05- -230	284T0268-2		..SENSOR INSTL-LOCKED SYS 2 (S00255) (USED ON ITEMS 3-3D, 3G)	A-BA, BC-BF ,BM-B V,B X-BZ CB-CR ,CT,C Z,DB, DD,DF ,DK DN-DP ,DS- EA,E C-EH, EK-ES	1
-232	284T0268-5002		...SENSOR INSTL- (LIMITED)	A-BA, BC-BF ,BM-B V,B X-BZ CB-CR ,CT,C Z,DB, DD,DF ,DK DN-DP ,DS- EA,E C-EH, EK-ES	1
-232A	284T0268-5004		...SENSOR INSTL- (LIMITED)	A-BA, BC-BF ,BM-B V,B X-BZ CB-CR ,CT,C Z,DB, DD,DF ,DK DN-DP ,DS- EA,E C-EH, EK-ES	1

32-21-21

ILLUSTRATED PARTS LIST

01.1 Page 1086N

Nov 01/05

BOEING
 COMPONENT
 MAINTENANCE MANUAL

FIG. & ITEM	PART NO.	AIRLINE PART NUMBER	NOMENCLATURE	EFF CODE	QTY PER ASSY
05-235	H10-3BAC		1234567NUT- (V15653) (SPEC BACN10JC3) (OPT NS202101-02 (V80539)) (OPT RMLH9075-3W (V72962)) (OPT T6S1032J (V71087)) (OPT VN303A02 (V92215)) (OPT 96-02 (V80539)) (OPT BRH10A3 (V52828)) (USED ON ITEM 232)	A-BA, BC-BF ,BM-B V,B X-BZ CB-CR ,CT,C Z,DB, DD,DF ,DK DN-DP ,DS- EA,E C-EH, EK-ES	1
240	BACW10BP3APU	WASHER- (USED ON ITEM 232)	A-BA, BC-BF ,BM-B V,B X-BZ CB-CR ,CT,C Z,DB, DD,DF ,DK DN-DP ,DS- EA,E C-EH, EK-ES	1

32-21-21

ILLUSTRATED PARTS LIST
 01.101 Page 10860
 Nov 01/05

FIG. & ITEM	PART NO.	AIRLINE PART NUMBER	NOMENCLATURE	EFF CODE	QTY PER ASSY
05-245	MS21340-25		1234567NUT	A-BA, BC-BF ,BM-B V,B X-BZ CB-CR ,CT,C Z,DB, DD,DF ,DK DN-DP ,DS- EA,E C-EH, EK-ES	1
250	69B96332-1	SHIM- (USED ON ITEM 232)	A-BA, BC-BF ,BM-B V,B X-BZ CB-CR ,CT,C Z,DB, DD,DF ,DK DN-DP ,DS- EA,E C-EH, EK-ES	AR

32-21-21

 ILLUSTRATED PARTS LIST
 01.101 Page 1086P
 Nov 01/05

BOEING
 COMPONENT
 MAINTENANCE MANUAL

FIG. & ITEM	PART NO.	AIRLINE PART NUMBER	NOMENCLATURE 1234567	EFF CODE	QTY PER ASSY
05-255	162T3010-1	TARGET- (USED ON ITEM 232)	A-BA, BC-BF ,BM-B V,B X-BZ CB-CR ,CT,C Z,DB, DD,DF ,DK DN-DP ,DS- EA,E C-EH, EK-ES	1
256	HL441UC6-6		DELETED		
256A	HL19PB6-6		DELETED		
256B	HL19PB6-9	BOLT- (V56878) (SPEC BACB30FN6-9) (OPT HL19PB6-9 (V73197)) (OPT HL19PB6-9 (V92215)) (OPT HL19PB6-9 (V97928)) (OPT 62547-6-9 (V56878)) (OPT HL19PB6-9 (V80539)) (OPT HL19PB6-9 (V08524)) (USED ON ITEM 232A)	A-BA, BC-BF ,BM-B V,B X-BZ CB-CR ,CT,C Z,DB, DD,DF ,DK DN-DP ,DS- EA,E C-EH, EK-ES	1

32-21-21

ILLUSTRATED PARTS LIST
 01.101 Page 1086Q
 Nov 01/05

FIG. & ITEM	PART NO.	AIRLINE PART NUMBER	NOMENCLATURE 1234567	EFF CODE	QTY PER ASSY
05-257	HL79-6	COLLAR- (V56878) (SPEC BACC30M6) (OPT HL79-6 (V73197)) (OPT HL79-6 (V92215)) (OPT 66014-6 (V56878)) (USED ON ITEM 232A)	A-BA, BC-BF ,BM-B V,B X-BZ CB-CR ,CT,C Z,DB, DD,DF ,DK DN-DP ,DS- EA,E C-EH, EK-ES	1
258	69B96332-1	SHIM- (USED ON ITEM 232A)	A-BA, BC-BF ,BM-B V,B X-BZ CB-CR ,CT,C Z,DB, DD,DF ,DK DN-DP ,DS- EA,E C-EH, EK-ES	AR
259	284T0870-1	TARGET- (USED ON ITEM 232A)	A-BA, BC-BF ,BM-B V,B X-BZ CB-CR ,CT,C Z,DB, DD,DF ,DK DN-DP ,DS- EA,E C-EH, EK-ES	1

32-21-21

 ILLUSTRATED PARTS LIST
 01.101 Page 1086R
 Nov 01/05

BOEING
 COMPONENT
 MAINTENANCE MANUAL

FIG. & ITEM	PART NO.	AIRLINE PART NUMBER	NOMENCLATURE	EFF CODE	QTY PER ASSY
05-260	BAC27TEX1087		1234567MARKER-S255	A-BA, BC-BF ,BM-B V,B X-BZ CB-CR ,CT,C Z,DB, DD,DF ,DK DN-DP ,DS- EA,E C-EH, EK-ES	1
-265	284T0268-3		..SENSOR INSTL-NOT COMPRESSED SYS 1 (S00244) (USED ON ITEMS 3-3D, 3G)	A-BA, BC-BF ,BM-B V,B X-BZ CB-CR ,CT,C Z,DB, DD,DF ,DK DN-DP ,DS- EA,E C-EH, EK-ES	1

32-21-21

ILLUSTRATED PARTS LIST
 01.1 Page 1086S
 Nov 01/05

FIG. & ITEM	PART NO.	AIRLINE PART NUMBER	NOMENCLATURE 1234567	EFF CODE	QTY PER ASSY
05- -268	284T0268-5005		...SENSOR INSTL- (LIMITED)	A-BA, BC-BF ,BM-B V,B X-BZ CB-CR ,CT,C Z,DB, DD,DF ,DK DN-DP ,DS- EA,E C-EH, EK-ES	1
-268A	284T0268-5007		...SENSOR INSTL- (LIMITED)	A-BA, BC-BF ,BM-B V,B X-BZ CB-CR ,CT,C Z,DB, DD,DF ,DK DN-DP ,DS- EA,E C-EH, EK-ES	1
270	NAS1801-3-9	SCREW- (USED ON ITEM 268)	A-BA, BC-BF ,BM-B V,B X-BZ CB-CR ,CT,C Z,DB, DD,DF ,DK DN-DP ,DS- EA,E C-EH, EK-ES	2

32-21-21

 ILLUSTRATED PARTS LIST
 01.101 Page 1086T
 Nov 01/05

BOEING
 COMPONENT
 MAINTENANCE MANUAL

FIG. & ITEM	PART NO.	AIRLINE PART NUMBER	NOMENCLATURE	EFF CODE	QTY PER ASSY
05-270A	NAS1801-3-8		1234567SCREW- (USED ON ITEM 268A)	A-BA, BC-BF ,BM-B V,B X-BZ CB-CR ,CT,C Z,DB, DD,DF ,DK DN-DP ,DS- EA,E C-EH, EK-ES	2
275	AN960PD10L	WASHER	A-BA, BC-BF ,BM-B V,B X-BZ CB-CR ,CT,C Z,DB, DD,DF ,DK DN-DP ,DS- EA,E C-EH, EK-ES	2

32-21-21

ILLUSTRATED PARTS LIST
 01.101 Page 1086U
 Nov 01/05

FIG. & ITEM	PART NO.	AIRLINE PART NUMBER	NOMENCLATURE 1234567	EFF CODE	QTY PER ASSY
R	05-280	CR59083NUT- (V62554) (SPEC BACN10HR3CS) (OPT H39953-3 (V15653)) (OPT SL7059C1032 (V11815)) (OPT 109LH9031-3 (V72962)) (OPT 67832AS1032 (V56878)) (OPT BMN5024CPD3-3 (V08524)) (OPT BH00303-3 (V27238)) (OPT BMN10HRCPD3-3 (V97928))	A-BA, BC-BF ,BM-B V,B X-BZ CB-CR ,CT,C Z,DB, DD,DF ,DK DN-DP ,DS- EA,E C-EH, EK-ES	2
	285	284T0278-5SHIM- (USED ON ITEM 268)	A-BA, BC-BF ,BM-B V,B X-BZ CB-CR ,CT,C Z,DB, DD,DF ,DK DN-DP ,DS- EA,E C-EH, EK-ES	2

32-21-21

 ILLUSTRATED PARTS LIST
 01.101 Page 1086V
 Nov 01/05

BOEING
 COMPONENT
 MAINTENANCE MANUAL

FIG. & ITEM	PART NO.	AIRLINE PART NUMBER	NOMENCLATURE	EFF CODE	QTY PER ASSY
			1234567		
05-290	BAC27TEX1089	MARKER-S244	A-BA, BC-BF ,BM-B V,B X-BZ CB-CR ,CT,C Z,DB, DD,DF ,DK DN-DP ,DS- EA,E C-EH, EK-ES	1
291	BACR15BB4DD		DELETED		
291A	BACR15FT4KE		DELETED		
291B	BACR15BB4D	RIVET- (SIZE DETERMINE ON INST) (USED ON ITEM 268A)	A-BA, BC-BF ,BM-B V,B X-BZ CB-CR ,CT,C Z,DB, DD,DF ,DK DN-DP ,DS- EA,E C-EH, EK-ES	1

32-21-21

ILLUSTRATED PARTS LIST
 01.101 Page 1086W
 Nov 01/05

FIG. & ITEM	PART NO.	AIRLINE PART NUMBER	NOMENCLATURE 1234567	EFF CODE	QTY PER ASSY
05- 291N 291P	BACR15BB8DD BACR15FT8KE		DELETEDRIVET- (SIZE DETERMINE ON INST) (USED ON ITEM 268A)	A-BA, BC-BF ,BM-B V,B X-BZ CB-CR ,CT,C Z,DB, DD,DF ,DK DN-DP ,DS- EA,E C-EH, EK-ES	1
292 292A	NAS1801-3-09 NAS1801-3-9		DELETEDSCREW- (USED ON ITEM 268A)	A-BA, BC-BF ,BM-B V,B X-BZ CB-CR ,CT,C Z,DB, DD,DF ,DK DN-DP ,DS- EA,E C-EH, EK-ES	2

32-21-21

 ILLUSTRATED PARTS LIST
 01.101 Page 1086X
 Nov 01/05

BOEING
 COMPONENT
 MAINTENANCE MANUAL

FIG. & ITEM	PART NO.	AIRLINE PART NUMBER	NOMENCLATURE	EFF CODE	QTY PER ASSY
05-292E	AN960PD10L		1234567WASHER- (USED ON ITEM 268A)	A-BA, BC-BF ,BM-B V,B X-BZ CB-CR ,CT,C Z,DB, DD,DF ,DK DN-DP ,DS- EA,E C-EH, EK-ES	2
292J	H10-3BAC	NUT- (V15653) (SPEC BACN10JC3) (OPT NS202101-02 (V80539)) (OPT RMLH9075-3W (V72962)) (OPT T6S1032J (V71087)) (OPT VN303A02 (V92215)) (OPT 96-02 (V80539)) (OPT BRH10A3 (V52828)) (USED ON ITEM 268A)	A-BA, BC-BF ,BM-B V,B X-BZ CB-CR ,CT,C Z,DB, DD,DF ,DK DN-DP ,DS- EA,E C-EH, EK-ES	2
292P	284T0890-1		DELETED		

32-21-21

ILLUSTRATED PARTS LIST
 01.101 Page 1086Y
 Nov 01/05

FIG. & ITEM	PART NO.	AIRLINE PART NUMBER	NOMENCLATURE	EFF CODE	QTY PER ASSY
05-292Q	284T0890-5		1234567BRACKET- (USED ON ITEM 268A)	A-BA, BC-BF ,BM-B V,B X-BZ CB-CR ,CT,C Z,DB, DD,DF ,DK DN-DP ,DS- EA,E C-EH, EK-ES	1
293 293A	284T0891-1 284T0891-7		DELETEDSUPPORT ASSY- (USED ON ITEM 268A)	A-BA, BC-BF ,BM-B V,B X-BZ CB-CR ,CT,C Z,DB, DD,DF ,DK DN-DP ,DS- EA,E C-EH, EK-ES	1

32-21-21

 ILLUSTRATED PARTS LIST
 01.101 Page 1086Z
 Nov 01/05

BOEING
 COMPONENT
 MAINTENANCE MANUAL

FIG. & ITEM	PART NO.	AIRLINE PART NUMBER	NOMENCLATURE	EFF CODE	QTY PER ASSY
			1234567		
05-294	BACR15BA4AD	RIVET- (SIZE DETERMINE ON INST)	A-BA, BC-BF ,BM-B V,B X-BZ CB-CR ,CT,C Z,DB, DD,DF ,DK DN-DP ,DS- EA,E C-EH, EK-ES	2
294E 294F	284T0891-3 284T0891-9		DELETEDANGLE	A-BA, BC-BF ,BM-B V,B X-BZ CB-CR ,CT,C Z,DB, DD,DF ,DK DN-DP ,DS- EA,E C-EH, EK-ES	1

32-21-21

ILLUSTRATED PARTS LIST
 01.101 Page 1087
 Nov 01/05

FIG. & ITEM	PART NO.	AIRLINE PART NUMBER	NOMENCLATURE 1234567	EFF CODE	QTY PER ASSY
05-294J	284T0891-5	TARGET-SENSOR	A-BA, BC-BF ,BM-B V,B X-BZ CB-CR ,CT,C Z,DB, DD,DF ,DK DN-DP ,DS- EA,E C-EH, EK-ES	1
-295	284T0268-4		..SENSOR INSTL-NOT COMPRESSED SYS 2 (S00266) (USED ON ITEMS 3-3D, 3G)	A-BA, BC-BF ,BM-B V,B X-BZ CB-CR ,CT,C Z,DB, DD,DF ,DK DN-DP ,DS- EA,E C-EH, EK-ES	1
-298	284T0268-5006		...SENSOR INSTL-(LIMITED)	A-BA, BC-BF ,BM-B V,B X-BZ CB-CR ,CT,C Z,DB, DD,DF ,DK DN-DP ,DS- EA,E C-EH, EK-ES	1

32-21-21

ILLUSTRATED PARTS LIST

01.1 Page 1088

Nov 01/05

BOEING
 COMPONENT
 MAINTENANCE MANUAL

FIG. & ITEM	PART NO.	AIRLINE PART NUMBER	NOMENCLATURE	EFF CODE	QTY PER ASSY
05- -298A	284T0268-5008		1234567 ...SENSOR INSTL- (LIMITED)	A-BA, BC-BF ,BM-B V,B X-BZ CB-CR ,CT,C Z,DB, DD,DF ,DK DN-DP ,DS- EA,E C-EH, EK-ES	1
300	NAS1801-3-9	SCREW	A-BA, BC-BF ,BM-B V,B X-BZ CB-CR ,CT,C Z,DB, DD,DF ,DK DN-DP ,DS- EA,E C-EH, EK-ES	2
305	AN960PD10L	WASHER	A-BA, BC-BF ,BM-B V,B X-BZ CB-CR ,CT,C Z,DB, DD,DF ,DK DN-DP ,DS- EA,E C-EH, EK-ES	2

32-21-21

ILLUSTRATED PARTS LIST
 01.101 Page 1088A
 Nov 01/05

FIG. & ITEM	PART NO.	AIRLINE PART NUMBER	NOMENCLATURE 1234567	EFF CODE	QTY PER ASSY
R 05-310	CR59083	NUT- (V62554) (SPEC BACN10HR3CS) (OPT H39953-3 (V15653)) (OPT SL7059C1032 (V11815)) (OPT 109LH9031-3 (V72962)) (OPT 67832AS1032 (V56878)) (OPT BMN5024CPD3-3 (V08524)) (OPT BH00303-3 (V27238)) (OPT BMN10HRCPD3-3 (V97928))	A-BA, BC-BF ,BM-B V,B X-BZ CB-CR ,CT,C Z,DB, DD,DF ,DK DN-DP ,DS- EA,E C-EH, EK-ES	2
315	284T0278-5	SHIM- (USED ON ITEM 298)	A-BA, BC-BF ,BM-B V,B X-BZ CB-CR ,CT,C Z,DB, DD,DF ,DK DN-DP ,DS- EA,E C-EH, EK-ES	2

32-21-21

 ILLUSTRATED PARTS LIST
 01.101 Page 1088B
 Nov 01/05

BOEING
 COMPONENT
 MAINTENANCE MANUAL

FIG. & ITEM	PART NO.	AIRLINE PART NUMBER	NOMENCLATURE 1234567	EFF CODE	QTY PER ASSY
05-320	BAC27TEX1090	MARKER-S266	A-BA, BC-BF ,BM-B V,B X-BZ CB-CR ,CT,C Z,DB, DD,DF ,DK DN-DP ,DS- EA,E C-EH, EK-ES	1
321	BACR15BB4DD		DELETED		
321A	BACR15FT4KE		DELETED		
321B	BACR15BB4D	RIVET- (SIZE DETERMINE ON INST) (USED ON ITEM 298A)	A-BA, BC-BF ,BM-B V,B X-BZ CB-CR ,CT,C Z,DB, DD,DF ,DK DN-DP ,DS- EA,E C-EH, EK-ES	1

32-21-21

ILLUSTRATED PARTS LIST
 01.101 Page 1088C
 Nov 01/05

FIG. & ITEM	PART NO.	AIRLINE PART NUMBER	NOMENCLATURE 1234567	EFF CODE	QTY PER ASSY
05- 321N 321P	BACR15BB8DD BACR15FT8KE		DELETEDRIVET- (SIZE DETERMINE ON INST) (USED ON ITEM 298A)	A-BA, BC-BF ,BM-B V,B X-BZ CB-CR ,CT,C Z,DB, DD,DF ,DK DN-DP ,DS- EA,E C-EH, EK-ES	1
322 322A	NAS1801-3-09 NAS1801-3-9		DELETEDSCREW- (USED ON ITEM 298A)	A-BA, BC-BF ,BM-B V,B X-BZ CB-CR ,CT,C Z,DB, DD,DF ,DK DN-DP ,DS- EA,E C-EH, EK-ES	2

32-21-21

 ILLUSTRATED PARTS LIST
 01.101 Page 1088D
 Nov 01/05

BOEING
 COMPONENT
 MAINTENANCE MANUAL

FIG. & ITEM	PART NO.	AIRLINE PART NUMBER	NOMENCLATURE	EFF CODE	QTY PER ASSY
05-322E	AN960PD10L		1234567WASHER- (USED ON ITEM 298A)	A-BA, BC-BF ,BM-B V,B X-BZ CB-CR ,CT,C Z,DB, DD,DF ,DK DN-DP ,DS- EA,E C-EH, EK-ES	2
322J	H10-3BAC	NUT- (V15653) (SPEC BACN10JC3) (OPT NS202101-02 (V80539)) (OPT RMLH9075-3W (V72962)) (OPT T6S1032J (V71087)) (OPT VN303A02 (V92215)) (OPT 96-02 (V80539)) (OPT BRH10A3 (V52828)) (USED ON ITEM 298A)	A-BA, BC-BF ,BM-B V,B X-BZ CB-CR ,CT,C Z,DB, DD,DF ,DK DN-DP ,DS- EA,E C-EH, EK-ES	2
322P	284T0890-2		DELETED		

32-21-21

ILLUSTRATED PARTS LIST
 01.101 Page 1088E
 Nov 01/05

FIG. & ITEM	PART NO.	AIRLINE PART NUMBER	NOMENCLATURE	EFF CODE	QTY PER ASSY
05-322Q	284T0890-6		1234567BRACKET- (USED ON ITEM 298A)	A-BA, BC-BF ,BM-B V,B X-BZ CB-CR ,CT,C Z,DB, DD,DF ,DK DN-DP ,DS- EA,E C-EH, EK-ES	1
323 323A	284T0891-2 284T0891-8		DELETEDSUPPORT ASSY- (USED ON ITEM 298A)	A-BA, BC-BF ,BM-B V,B X-BZ CB-CR ,CT,C Z,DB, DD,DF ,DK DN-DP ,DS- EA,E C-EH, EK-ES	1

32-21-21

 ILLUSTRATED PARTS LIST
 01.101 Page 1088F
 Nov 01/05

BOEING
 COMPONENT
 MAINTENANCE MANUAL

FIG. & ITEM	PART NO.	AIRLINE PART NUMBER	NOMENCLATURE	EFF CODE	QTY PER ASSY
			1234567		
05-324	BACR15BA4AD	RIVET- (SIZE DETERMINE ON INST)	A-BA, BC-BF ,BM-B V,B X-BZ CB-CR ,CT,C Z,DB, DD,DF ,DK DN-DP ,DS- EA,E C-EH, EK-ES	2
324E 324F	284T0891-4 284T0891-10		DELETEDANGLE	A-BA, BC-BF ,BM-B V,B X-BZ CB-CR ,CT,C Z,DB, DD,DF ,DK DN-DP ,DS- EA,E C-EH, EK-ES	1

32-21-21

ILLUSTRATED PARTS LIST
 01.101 Page 1088G
 Nov 01/05

FIG. & ITEM	PART NO.	AIRLINE PART NUMBER	NOMENCLATURE	EFF CODE	QTY PER ASSY
05-324J	284T0891-5	TARGET-SENSOR	A-BA, BC-BF ,BM-B V,B X-BZ CB-CR ,CT,C Z,DB, DD,DF ,DK DN-DP ,DS- EA,E C-EH, EK-ES	1
-325	284T0588-3		..SUPPORT INSTL (USED ON ITEMS 3-3D, 3G)	A-BA, BC-BF ,BM-B V,B X-BZ CB-CR ,CT,C Z,DB, DD,DF ,DK DN-DP ,DS- EA,E C-EH, EK-ES	1
330	MS24665-304		...PIN-COTTER	A-BA, BC-BF ,BM-B V,B X-BZ CB-CR ,CT,C Z,DB, DD,DF ,DK DN-DP ,DS- EA,E C-EH, EK-ES	1

32-21-21

 ILLUSTRATED PARTS LIST
 01.1 Page 1088H
 Nov 01/05

BOEING
 COMPONENT
 MAINTENANCE MANUAL

FIG. & ITEM	PART NO.	AIRLINE PART NUMBER	NOMENCLATURE	EFF CODE	QTY PER ASSY
05-335	284T0212-1		1234567 ...SUPPORT ASSY-LT	A-BA, BC-BF ,BM-B V,B X-BZ CB-CR ,CT,C Z,DB, DD,DF ,DK DN-DP ,DS- EA,E C-EH, EK-ES	1
340	NAS6606D15		ATTACHING PARTS ...BOLT	A-BA, BC-BF ,BM-B V,B X-BZ CB-CR ,CT,C Z,DB, DD,DF ,DK DN-DP ,DS- EA,E C-EH, EK-ES	1

32-21-21

ILLUSTRATED PARTS LIST
 01.101 Page 1088I
 Nov 01/05

FIG. & ITEM	PART NO.	AIRLINE PART NUMBER	NOMENCLATURE	EFF CODE	QTY PER ASSY
05-345	AN960-616		...WASHER	A-BA, BC-BF ,BM-B V,B X-BZ CB-CR ,CT,C Z,DB, DD,DF ,DK DN-DP ,DS- EA,E C-EH, EK-ES	2
350	BACN10JD6		...NUT	A-BA, BC-BF ,BM-B V,B X-BZ CB-CR ,CT,C Z,DB, DD,DF ,DK DN-DP ,DS- EA,E C-EH, EK-ES	1
			-----*		

32-21-21

 ILLUSTRATED PARTS LIST
 01.101 Page 1088J
 Nov 01/05


BOEING
 COMPONENT
 MAINTENANCE MANUAL

FIG. & ITEM	PART NO.	AIRLINE PART NUMBER	NOMENCLATURE 1234567	EFF CODE	QTY PER ASSY
05-355	BACR15BA3AD	RIVET- (SIZE DETERMINE ON INST)	A-BA, BC-BF ,BM-B V,B X-BZ CB-CR ,CT,C Z,DB, DD,DF ,DK DN-DP ,DS- EA,E C-EH, EK-ES	18
360	BRFM20A3	NUTPLATE- (V52828) (SPEC BACN10JN3) (OPT MF1000-3BAC (V15653)) (OPT NS103218-02 (V80539)) (OPT RMF9201M3 (V72962)) (OPT VN252A02 (V92215)) (OPT MF1000-3BAC (V15653)) (OPT MF53049-3 (V15653))	A-BA, BC-BF ,BM-B V,B X-BZ CB-CR ,CT,C Z,DB, DD,DF ,DK DN-DP ,DS- EA,E C-EH, EK-ES	5

32-21-21

ILLUSTRATED PARTS LIST

01.101 Page 1088K

Nov 01/05

FIG. & ITEM	PART NO.	AIRLINE PART NUMBER	NOMENCLATURE	EFF CODE	QTY PER ASSY
05-365	T8124S4S		1234567NUTPLATE- (V71087) (SPEC BACN10JN4) (OPT MF1000-4BAC (V15653)) (OPT NS103218-048 (V80539)) (OPT RMF9201M4 (V72962)) (OPT VN252A048 (V92215)) (OPT VN252A048 (V92215)) (OPT T8124S4S (V11815))	A-BA, BC-BF ,BM-B V,B X-BZ CB-CR ,CT,C Z,DB, DD,DF ,DK DN-DP ,DS- EA,E C-EH, EK-ES	4
370	284T0212-3	SUPPORT	A-BA, BC-BF ,BM-B V,B X-BZ CB-CR ,CT,C Z,DB, DD,DF ,DK DN-DP ,DS- EA,E C-EH, EK-ES	1
375	284T0588-5		...SHIM	A-BA, BC-BF ,BM-B V,B X-BZ CB-CR ,CT,C Z,DB, DD,DF ,DK DN-DP ,DS- EA,E C-EH, EK-ES	AR

32-21-21

 ILLUSTRATED PARTS LIST
 01.101 Page 1088L
 Nov 01/05

BOEING
 COMPONENT
 MAINTENANCE MANUAL

FIG. & ITEM	PART NO.	AIRLINE PART NUMBER	NOMENCLATURE	EFF CODE	QTY PER ASSY
05-380	284T0588-4		1234567 ..SUPPORT INSTL (USED ON ITEMS 3-3D, 3G)	A-BA, BC-BF ,BM-B V,B X-BZ CB-CR ,CT,C Z,DB, DD,DF ,DK DN-DP ,DS- EA,E C-EH, EK-ES	1
385	MS24665-304		...PIN-COTTER	A-BA, BC-BF ,BM-B V,B X-BZ CB-CR ,CT,C Z,DB, DD,DF ,DK DN-DP ,DS- EA,E C-EH, EK-ES	1

32-21-21

ILLUSTRATED PARTS LIST
 01.1 Page 1088M
 Nov 01/05

FIG. & ITEM	PART NO.	AIRLINE PART NUMBER	NOMENCLATURE	EFF CODE	QTY PER ASSY
05-390	284T0212-2		1234567 ...SUPPORT ASSY-LT	A-BA, BC-BF ,BM-B V,B X-BZ CB-CR ,CT,C Z,DB, DD,DF ,DK DN-DP ,DS- EA,E C-EH, EK-ES	1
395	NAS6606D15		ATTACHING PARTS ...BOLT	A-BA, BC-BF ,BM-B V,B X-BZ CB-CR ,CT,C Z,DB, DD,DF ,DK DN-DP ,DS- EA,E C-EH, EK-ES	1

32-21-21

 ILLUSTRATED PARTS LIST
 01.101 Page 1088N
 Nov 01/05

BOEING
 COMPONENT
 MAINTENANCE MANUAL

FIG. & ITEM	PART NO.	AIRLINE PART NUMBER	NOMENCLATURE	EFF CODE	QTY PER ASSY
05-400	AN960-616		1234567 ...WASHER	A-BA, BC-BF ,BM-B V,B X-BZ CB-CR ,CT,C Z,DB, DD,DF ,DK DN-DP ,DS- EA,E C-EH, EK-ES	2
405	BACN10JD6		...NUT -----*	A-BA, BC-BF ,BM-B V,B X-BZ CB-CR ,CT,C Z,DB, DD,DF ,DK DN-DP ,DS- EA,E C-EH, EK-ES	1

32-21-21

ILLUSTRATED PARTS LIST
 01.101 Page 10880
 Nov 01/05

FIG. & ITEM	PART NO.	AIRLINE PART NUMBER	NOMENCLATURE 1234567	EFF CODE	QTY PER ASSY
05-410	BACR15BA3AD	RIVET- (SIZE DETERMINE ON INST)	A-BA, BC-BF ,BM-B V,B X-BZ CB-CR ,CT,C Z,DB, DD,DF ,DK DN-DP ,DS- EA,E C-EH, EK-ES	18
415	BRFM20A3	NUTPLATE- (V52828) (SPEC BACN10JN3) (OPT MF1000-3BAC (V15653)) (OPT NS103218-02 (V80539)) (OPT RMF9201M3 (V72962)) (OPT VN252A02 (V92215)) (OPT MF1000-3BAC (V15653)) (OPT MF53049-3 (V15653))	A-BA, BC-BF ,BM-B V,B X-BZ CB-CR ,CT,C Z,DB, DD,DF ,DK DN-DP ,DS- EA,E C-EH, EK-ES	5
420	T8124S4S	NUTPLATE- (V71087) (SPEC BACN10JN4) (OPT MF1000-4BAC (V15653)) (OPT NS103218-048 (V80539)) (OPT RMF9201M4 (V72962)) (OPT VN252A048 (V92215)) (OPT VN252A048 (V92215)) (OPT T8124S4S (V11815))	A-BA, BC-BF ,BM-B V,B X-BZ CB-CR ,CT,C Z,DB, DD,DF ,DK DN-DP ,DS- EA,E C-EH, EK-ES	4

32-21-21

 ILLUSTRATED PARTS LIST
 01.101 Page 1088P
 Nov 01/05

BOEING
 COMPONENT
 MAINTENANCE MANUAL

FIG. & ITEM	PART NO.	AIRLINE PART NUMBER	NOMENCLATURE	EFF CODE	QTY PER ASSY
05-425	284T0212-4		1234567SUPPORT	A-BA, BC-BF ,BM-B V,B X-BZ CB-CR ,CT,C Z,DB, DD,DF ,DK DN-DP ,DS- EA,E C-EH, EK-ES	1
430	284T0588-5		...SHIM	A-BA, BC-BF ,BM-B V,B X-BZ CB-CR ,CT,C Z,DB, DD,DF ,DK DN-DP ,DS- EA,E C-EH, EK-ES	AR

32-21-21

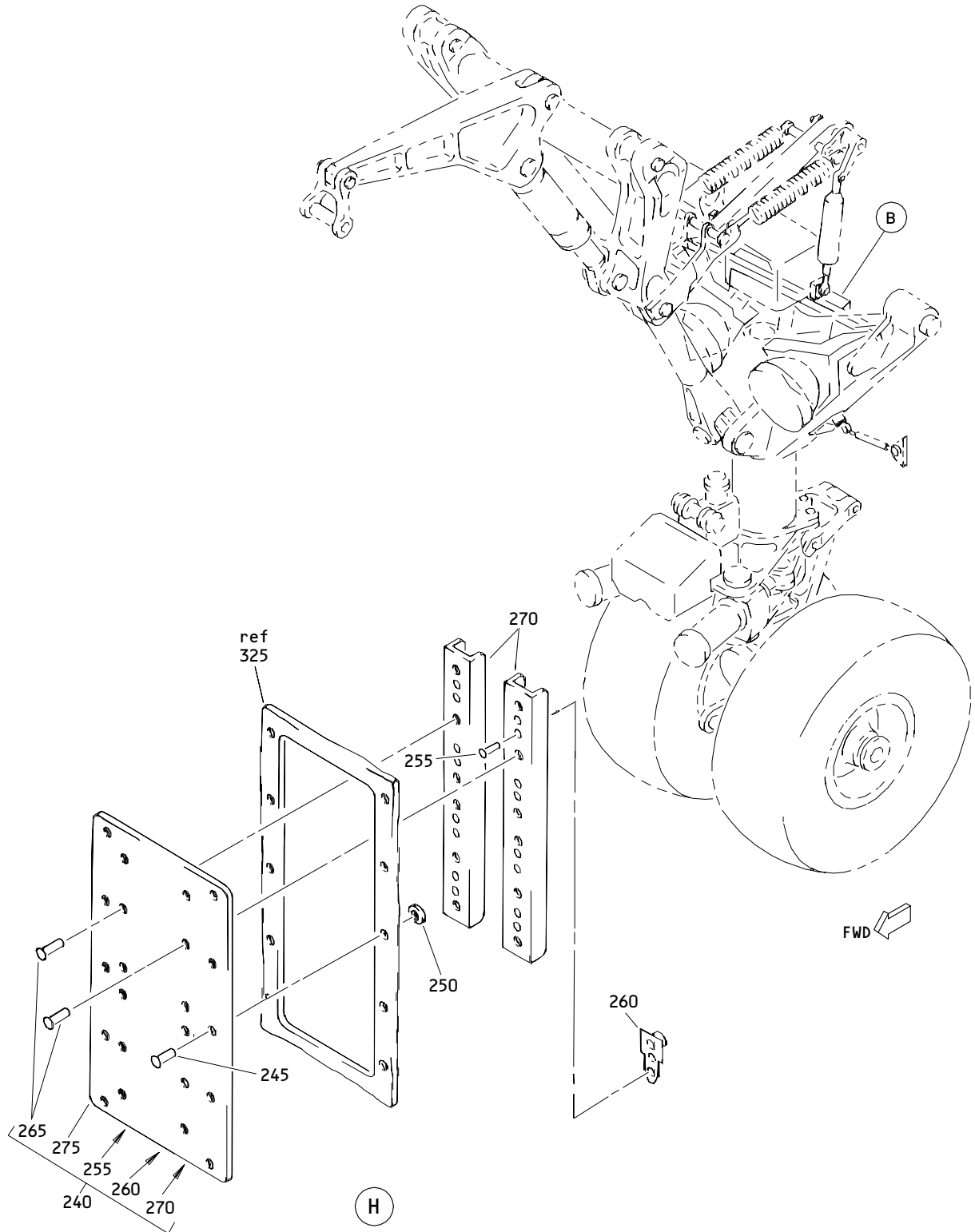
ILLUSTRATED PARTS LIST
 01.101 Page 1088Q
 Nov 01/05

FIG. & ITEM	PART NO.	AIRLINE PART NUMBER	NOMENCLATURE 1234567	EFF CODE	QTY PER ASSY
05- -435	284T0904-1		..SHIELD INSTL-XFMR LDG AND TAXI LIGHTS (USED ON ITEMS 3B, 3D) (FOR DETAILS SEE FIG. 6)	A-BA, BC-BF ,BM-B V,B X-BZ CB-CR ,CT,C Z,DB, DD,DF ,DK DN-DP ,DS- EA,E C-EH, EK-ES	1
-440	284T0588-8		..LIGHT INSTL-NOSE GEAR LANDING (USED ON ITEMS 3E,3F) (SEE 767 IPC 32-42-01-10)		1
-440A	284T0588-9		..LIGHT INSTL-NOSE GEAR LANDING (USED ON ITEMS 3E,3F) (SEE 767 IPC 32-42-01-10)		1
-445	284T0798-1		..LIGHT INSTL-NOSE GEAR TAXI (USED ON ITEMS 3E,3F) (SEE 767 IPC 32-42-02-05)		1
-445A	284T0798-2		..LIGHT INSTL-NOSE GEAR TAXI (USED ON ITEMS 3E,3F) (SEE 767 IPC 32-42-02-05)		1

- Item Not Illustrated

32-21-21

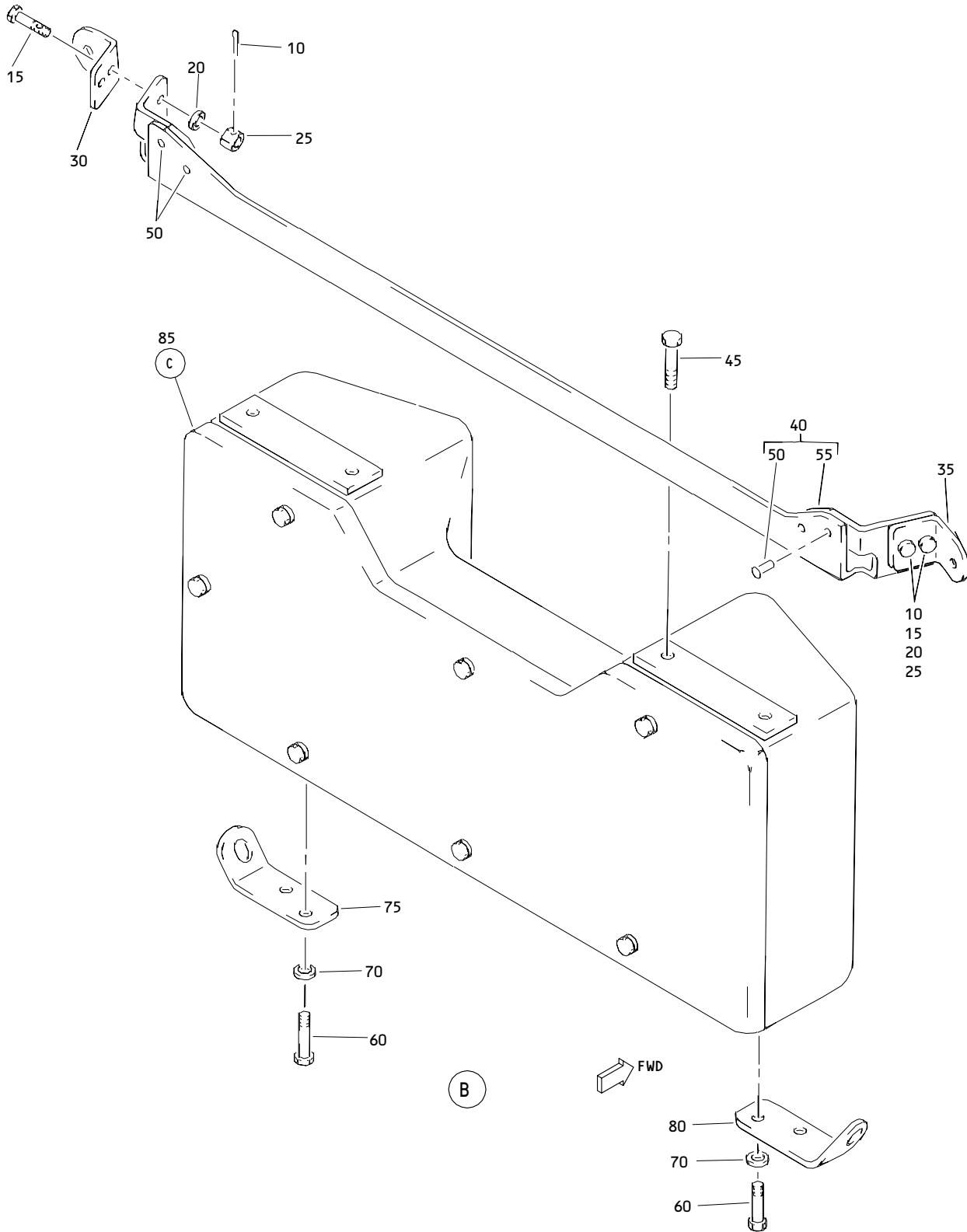
ILLUSTRATED PARTS LIST
 01.1 Page 1088R
 Nov 01/05



Nose Landing Gear Electronic Equipment Installation
Figure 6 (Sheet 1)

32-21-21

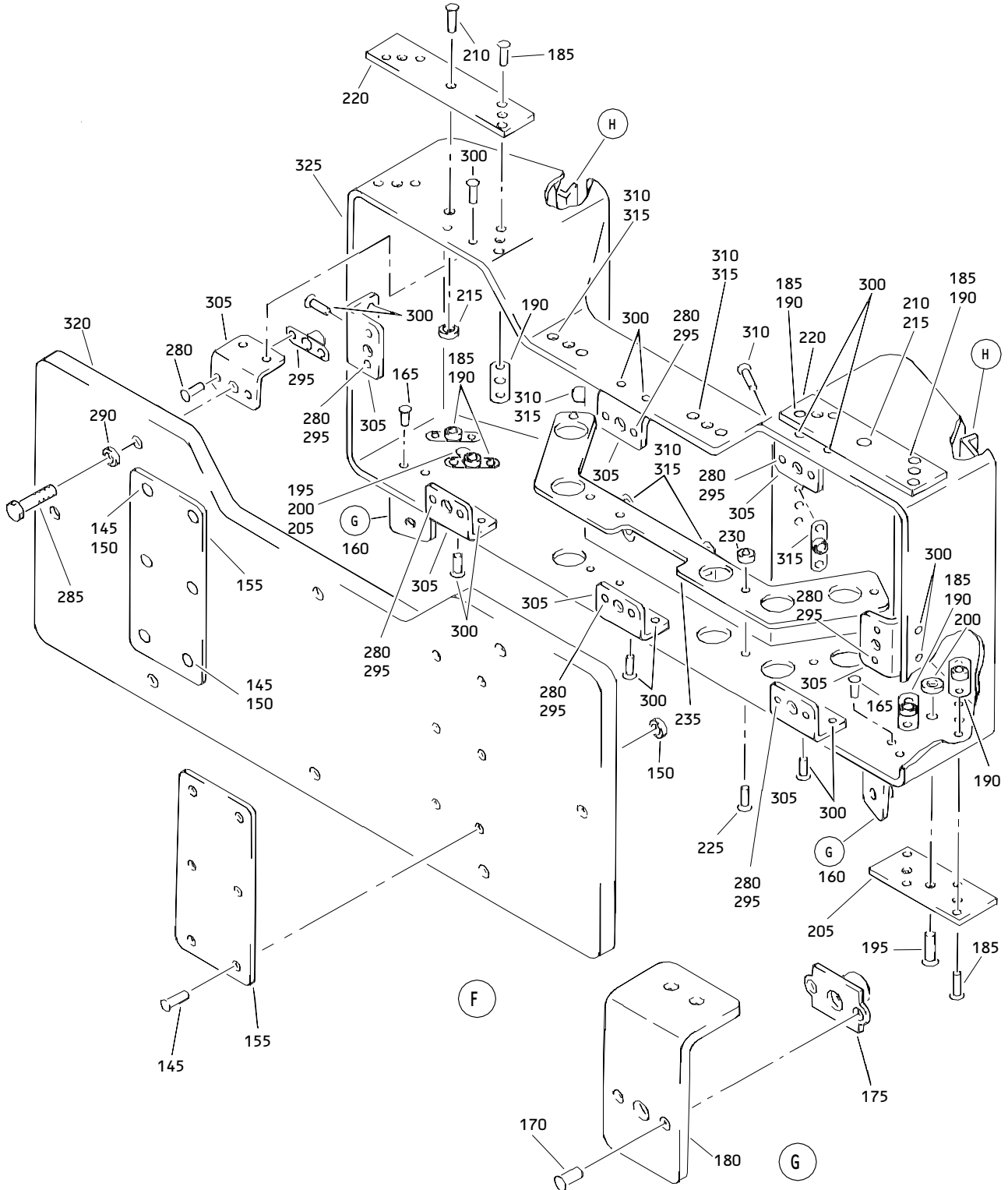
ILLUSTRATED PARTS LIST
01.101 Page 1088S
Nov 01/05



Nose Landing Gear Electronic Equipment Installation
 Figure 6 (Sheet 2)

32-21-21

ILLUSTRATED PARTS LIST
 01.101 Page 1088T
 Nov 01/05



Nose Landing Gear Electronic Equipment Installation
 Figure 6 (Sheet 4)

32-21-21

ILLUSTRATED PARTS LIST
 01.101 Page 1088V
 Nov 01/05

BOEING
 COMPONENT
 MAINTENANCE MANUAL

FIG. & ITEM	PART NO.	AIRLINE PART NUMBER	NOMENCLATURE	EFF CODE	QTY PER ASSY
06- -1 -5	284T6200-4 284T0904-1		DELETED SHIELD INSTL-XFMR LDG AND TAXI LIGHTS	A-BA, BC-BF ,BM-B V,B X-BZ CB-CR ,CT,C Z,DB, DD,DF ,DK DN-DP ,DS- EA,E C-EH, EK-ES	RF
10	MS24665-88		.PIN-COTTER	A-BA, BC-BF ,BM-B V,B X-BZ CB-CR ,CT,C Z,DB, DD,DF ,DK DN-DP ,DS- EA,E C-EH, EK-ES	4

32-21-21

ILLUSTRATED PARTS LIST
 01.101 Page 1088W
 Nov 01/05

FIG. & ITEM	PART NO.	AIRLINE PART NUMBER	NOMENCLATURE	EFF CODE	QTY PER ASSY
06-15	NAS6603D4		.BOLT	A-BA, BC-BF ,BM-B V,B X-BZ CB-CR ,CT,C Z,DB, DD,DF ,DK DN-DP ,DS- EA,E C-EH, EK-ES	4
20	AN960PD10		.WASHER	A-BA, BC-BF ,BM-B V,B X-BZ CB-CR ,CT,C Z,DB, DD,DF ,DK DN-DP ,DS- EA,E C-EH, EK-ES	4

32-21-21

 ILLUSTRATED PARTS LIST
 01.101 Page 1088X
 Nov 01/05

BOEING
 COMPONENT
 MAINTENANCE MANUAL

FIG. & ITEM	PART NO.	AIRLINE PART NUMBER	NOMENCLATURE	EFF CODE	QTY PER ASSY
06-25	BACN10JD3		.NUT	A-BA, BC-BF ,BM-B V,B X-BZ CB-CR ,CT,C Z,DB, DD,DF ,DK DN-DP ,DS- EA,E C-EH, EK-ES	4
30	284T0906-5		.ANGLE-SPRT	A-BA, BC-BF ,BM-B V,B X-BZ CB-CR ,CT,C Z,DB, DD,DF ,DK DN-DP ,DS- EA,E C-EH, EK-ES	1

32-21-21

ILLUSTRATED PARTS LIST
 01.101 Page 1088Y
 Nov 01/05

FIG. & ITEM	PART NO.	AIRLINE PART NUMBER	NOMENCLATURE	EFF CODE	QTY PER ASSY
			1234567		
06-35	284T0906-6		.ANGLE-SPRT	A-BA, BC-BF ,BM-B V,B X-BZ CB-CR ,CT,C Z,DB, DD,DF ,DK DN-DP ,DS- EA,E C-EH, EK-ES	1
40	284T0906-1		.SUPPORT ASSY	A-BA, BC-BF ,BM-B V,B X-BZ CB-CR ,CT,C Z,DB, DD,DF ,DK DN-DP ,DS- EA,E C-EH, EK-ES	1
			ATTACHING PARTS		

32-21-21

 ILLUSTRATED PARTS LIST
 01.101 Page 1088Z
 Nov 01/05

BOEING
 COMPONENT
 MAINTENANCE MANUAL

FIG. & ITEM	PART NO.	AIRLINE PART NUMBER	NOMENCLATURE	EFF CODE	QTY PER ASSY
06-45	NAS1801-3D10		1234567 .SCREW	A-BA, BC-BF ,BM-B V,B X-BZ CB-CR ,CT,C Z,DB, DD,DF ,DK DN-DP ,DS- EA,E C-EH, EK-ES	4
50	BACR15BB5AD		-----*----- ..RIVET- (SIZE DETERMINE ON INST)	A-BA, BC-BF ,BM-B V,B X-BZ CB-CR ,CT,C Z,DB, DD,DF ,DK DN-DP ,DS- EA,E C-EH, EK-ES	4

32-21-21

ILLUSTRATED PARTS LIST
 01.101 Page 1089
 Nov 01/05

FIG. & ITEM	PART NO.	AIRLINE PART NUMBER	NOMENCLATURE	EFF CODE	QTY PER ASSY
06-55	284T0906-2		1234567 ..SUPPORT	A-BA, BC-BF ,BM-B V,B X-BZ CB-CR ,CT,C Z,DB, DD,DF ,DK DN-DP ,DS- EA,E C-EH, EK-ES	1
60	NAS1801-3D11		.SCREW	A-BA, BC-BF ,BM-B V,B X-BZ CB-CR ,CT,C Z,DB, DD,DF ,DK DN-DP ,DS- EA,E C-EH, EK-ES	4

32-21-21

 ILLUSTRATED PARTS LIST
 01.101 Page 1090
 Nov 01/05

BOEING
 COMPONENT
 MAINTENANCE MANUAL

FIG. & ITEM	PART NO.	AIRLINE PART NUMBER	NOMENCLATURE	EFF CODE	QTY PER ASSY
06-70	AN960PD10		.WASHER	A-BA, BC-BF ,BM-B V,B X-BZ CB-CR ,CT,C Z,DB, DD,DF ,DK DN-DP ,DS- EA,E C-EH, EK-ES	4
75	284T0906-3		.ANGLE-SPRT	A-BA, BC-BF ,BM-B V,B X-BZ CB-CR ,CT,C Z,DB, DD,DF ,DK DN-DP ,DS- EA,E C-EH, EK-ES	1
80	284T0906-4		.ANGLE-SPRT	A-BA, BC-BF ,BM-B V,B X-BZ CB-CR ,CT,C Z,DB, DD,DF ,DK DN-DP ,DS- EA,E C-EH, EK-ES	1

32-21-21

ILLUSTRATED PARTS LIST
 01.101 Page 1090A
 Nov 01/05

FIG. & ITEM	PART NO.	AIRLINE PART NUMBER	NOMENCLATURE 1234567	EFF CODE	QTY PER ASSY
06-					
85	284T0905-1		DELETED		
90	NAS1801-3-8		DELETED		
95	FT1219		DELETED		
100	740A20-7		DELETED		
105	740A20-6		DELETED		
110	NAS1801-04-8		DELETED		
115	AN960PD4L		DELETED		
120	H10-04BAC		DELETED		
130	MS27212-2-6		DELETED		
135	MS18029-25-6		DELETED		
135A	MS18029-2S6		DELETED		
140	284T0917-1		DELETED		
145	BACR15BA5A		DELETED		
150	AN960PD8		DELETED		
155	284T0917-9		DELETED		
160	287T6207-1		DELETED		
			ATTACHING PARTS		
165	BACR15BB5A		DELETED		
170	BACR15BA3AD		DELETED		
175	K1000-3BAC		DELETED		
180	287T6207-2		DELETED		
185	BACR15BA3A		DELETED		
190	F1967-3BAC		DELETED		
195	BACR15BA4A		DELETED		
200	AN960PD4		DELETED		
205	BACF3T03D10-18		DELETED		
210	BACR15BA5A		DELETED		
215	AN960PD8		DELETED		
220	BACF3T02C8-38		DELETED		
225	BACR15BB4A		DELETED		

32-21-21

 ILLUSTRATED PARTS LIST
 01.101 Page 1090B
 Nov 01/05


BOEING
 COMPONENT
 MAINTENANCE MANUAL

FIG. & ITEM	PART NO.	AIRLINE PART NUMBER	NOMENCLATURE 1234567	EFF CODE	QTY PER ASSY
06-					
230	AN960PD4		DELETED		
235	284T0917-8		DELETED		
240	284T0917-2		DELETED		
245	BACR15BA4A		DELETED		
250	AN960PD4		DELETED		
255	BACR15BA3AD		DELETED		
260	F177-3		DELETED		
265	BACR15BA4AD		DELETED		
270	284T0917-7		DELETED		
275	284T0917-5		DELETED		
280	BACR15BA3AD		DELETED		
285	NAS1801-3-10		DELETED		
290	AN960PD10L		DELETED		
295	T8099S3SK		DELETED		
300	BACR15BA5A		DELETED		
305	284T0917-6		DELETED		
310	BACR15BA3A		DELETED		
315	WSI4-3		DELETED		
320	284T0917-3		DELETED		
325	284T0917-4		DELETED		
-330	284T1194		DELETED		
-330A	286T1194		DELETED		
335	BACR15BB3A		DELETED		
340	AN960PD3		DELETED		
345	BAC27TEX2016		DELETED		
-350	284T0268-1		DELETED		
-352	284T0268-5001		DELETED		
-352A	284T0268-5003		DELETED		
355	H10-3BAC		DELETED		
360	BACW10BP3APU		DELETED		

32-21-21

 ILLUSTRATED PARTS LIST
 01.101 Page 1090C
 Nov 01/05

FIG. & ITEM	PART NO.	AIRLINE PART NUMBER	NOMENCLATURE 1234567	EFF CODE	QTY PER ASSY
06-					
365	MS21340-25		DELETED		
370	69B96332-1		DELETED		
375	162T3010-1		DELETED		
376	HL441UC6-6		DELETED		
376A	HL19PB6-6		DELETED		
377	HL79-6		DELETED		
378	69B96332-1		DELETED		
379	284T0870-1		DELETED		
380	BAC27TEX1088		DELETED		
-385	284T0268-2		DELETED		
-387	284T0268-5002		DELETED		
-387A	284T0268-5004		DELETED		
390	H10-3BAC		DELETED		
395	BACW10BP3APU		DELETED		
400	MS21340-25		DELETED		
405	69B96332-1		DELETED		
410	162T3010-1		DELETED		
411	HL441UC6-6		DELETED		
411A	HL19PB6-6		DELETED		
412	HL79-6		DELETED		
413	69B96332-1		DELETED		
414	284T0870-1		DELETED		
415	BAC27TEX1087		DELETED		
-420	284T0268-3		DELETED		
425	NAS1801-3-9		DELETED		
430	AN960PD10L		DELETED		
435	BMN5024CPD3		DELETED		
440	284T0278-5		DELETED		
445	BAC27TEX1089		DELETED		
-450	284T0268-4		DELETED		
455	NAS1801-3-9		DELETED		
460	AN960PD10L		DELETED		
465	BMN5024CPD3		DELETED		
470	284T0278-5		DELETED		
475	BAC27TEX1090		DELETED		
-480	284T0588-3		DELETED		
485	MS24665-304		DELETED		
490	284T0212-1		DELETED		
495	NAS6606015		DELETED		
500	AN960-616		DELETED		
505	BACN10JD6		DELETED		
510	BACR15BA3AD		DELETED		
515	T8124S3S		DELETED		
520	T8124S4S		DELETED		
525	284T0212-3		DELETED		

32-21-21

 ILLUSTRATED PARTS LIST
 01.101 Page 1090D
 Nov 01/05


BOEING
 COMPONENT
 MAINTENANCE MANUAL

FIG. & ITEM	PART NO.	AIRLINE PART NUMBER	NOMENCLATURE 1234567	EFF CODE	QTY PER ASSY
06-					
530	284T0588-5		DELETED		
-535	284T0588-4		DELETED		
540	MS24665-304		DELETED		
545	284T0212-2		DELETED		
550	NAS6606D15		DELETED		
555	AN960-616		DELETED		
560	BACN10JD6		DELETED		
565	BACR15BA3AD		DELETED		
570	T8124S3S		DELETED		
575	T8124S4S		DELETED		
580	284T0212-4		DELETED		
585	284T0588-5		DELETED		

- Item Not Illustrated

32-21-21

ILLUSTRATED PARTS LIST
 01.101 Page 1090E
 Nov 01/05

FIG. & ITEM	PART NO.	AIRLINE PART NUMBER	NOMENCLATURE 1234567	EFF CODE	QTY PER ASSY
07-					
-1	257T4000-8		DELETED		
-1A	257T4000-9		DELETED		
10A	MS21251B3S		DELETED		
15	MS21256-1		DELETED		
20	MS24665-132		DELETED		
25A	BACC2D3A00508CG		DELETED		
-25C	BACC2C3D00509CG		DELETED		
30	MS24665-71		DELETED		
35	251T2050-33		DELETED		
-35A	251T2050-34		DELETED		
40A	MS21260S3RH		DELETED		
45	BA3-3		DELETED		
50	251T2050-101		DELETED		
-50A	251T2050-103		DELETED		
-55	257T4406-2		DELETED		
60A	257T4407-31		DELETED		
65	BACB30NF4-9		DELETED		
70	AN960PD416		DELETED		
75	H10-4BAC		DELETED		
80	BACR15BB4AD		DELETED		
85A	257T4407-25		DELETED		
90	BACR15BA5KE		DELETED		
95	BACR15FT5KE		DELETED		
100	257T4407-13		DELETED		
105	257T4407-3		DELETED		
110	BACB30NX5K		DELETED		
115	HL1187-5		DELETED		
120	257T4407-11		DELETED		
125	BACB30NF4-11		DELETED		
130	AN960PD416		DELETED		
135	H10-4BAC		DELETED		
140	257T4407-9		DELETED		
145	NAS623-3-10		DELETED		
150	NAS42DD6-31		DELETED		
155	AN960PD10		DELETED		

32-21-21

 ILLUSTRATED PARTS LIST
 01.101 Page 1090F
 Nov 01/05


BOEING
 COMPONENT
 MAINTENANCE MANUAL

FIG. & ITEM	PART NO.	AIRLINE PART NUMBER	NOMENCLATURE 1234567	EFF CODE	QTY PER ASSY
07-					
160	H10-3BAC		DELETED		
165	257T4408-1		DELETED		
170	65B80977-1		DELETED		
175	MKP4		DELETED		
180	69B81979-1		DELETED		
185	65B80978-1		DELETED		
190	69B81362-2		DELETED		
195	65B80978-2		DELETED		
197	BACR15BB4AD		DELETED		
198	257T4407-27		DELETED		
199	257T4407-29		DELETED		
200A	257T4407-33		DELETED		
205	257T4407-5		DELETED		
210A	257T4407-32		DELETED		
215	BACB30NF4-9		DELETED		
220	AN960PD416		DELETED		
225	H10-4BAC		DELETED		
230	BACR15BB4AD		DELETED		
235A	257T4407-25		DELETED		
240	BACR15BA5KE		DELETED		
245	BACR15FT5KE		DELETED		
250	257T4407-14		DELETED		
255	257T4407-4		DELETED		
260	BACB30NX5K		DELETED		
265	HL1187-5		DELETED		
270	257T4407-12		DELETED		
275	BACB30NF4-11		DELETED		
280	AN960PD416		DELETED		
285	H10-4BAC		DELETED		
290	257T4407-10		DELETED		
295	NAS623-3-10		DELETED		
300	NAS42DD6-31		DELETED		
305	AN960PD10		DELETED		
310	H10-3BAC		DELETED		
315	257T4408-1		DELETED		
320	65B80977-1		DELETED		
325	MKP4		DELETED		
330	69B81979-1		DELETED		
335	65B80978-1		DELETED		
340	69B81362-2		DELETED		
345	65B80978-2		DELETED		
347	BACR15BB4AD		DELETED		
348	257T4407-28		DELETED		
349	257T4407-30		DELETED		
350A	257T4407-34		DELETED		

32-21-21

 ILLUSTRATED PARTS LIST
 01.101 Page 1090G
 Nov 01/05

FIG. & ITEM	PART NO.	AIRLINE PART NUMBER	NOMENCLATURE 1234567	EFF CODE	QTY PER ASSY
07-					
355	257T4407-6		DELETED		
-360	257T4300-1		DELETED		
-362	257T4300-5001		DELETED		
-362A	257T4300-5002		DELETED		
-362B	257T4300-5003		DELETED		
-362C	257T4300-5004		DELETED		
-362D	257T4300-5005		DELETED		
365	257T4335-1		DELETED		
370	NAS514P1032-14		DELETED		
375	BACG20L3		DELETED		
380	257T4335-2		DELETED		
390	257T4318-4		DELETED		
390A	257T4318-5		DELETED		
-390B	257T4318-6		DELETED		
-390C	257T4318-7		DELETED		
-390D	257T4318-8		DELETED		
395	BACB30NF6-26		DELETED		
400	BACB30NF6-14		DELETED		
405	AN960PD616		DELETED		
410	H10-6BAC		DELETED		
-415	257T4400-1		DELETED		
420	257T4404-3		DELETED		
425	NAS514P1032-10		DELETED		
430	BACG20L3		DELETED		
435	257T4404-2		DELETED		
440	BAC27TCT0010		DELETED		
445	BAC27TCT0151		DELETED		
450	BACB30NF4-17		DELETED		
455	BACB30NF4-16		DELETED		
460	AN960PD416		DELETED		

32-21-21

 ILLUSTRATED PARTS LIST
 01.101 Page 1090H
 Nov 01/05


BOEING
 COMPONENT
 MAINTENANCE MANUAL

FIG. & ITEM	PART NO.	AIRLINE PART NUMBER	NOMENCLATURE 1234567	EFF CODE	QTY PER ASSY
07-					
465	H10-4BAC		DELETED		
470	65-35436-15		DELETED		
475	257T4401-1		DELETED		
480	LLDW4K2-1		DELETED		
485	2LPYE6-14		DELETED		
490	NAS42DD6-31		DELETED		
495	NAS1080D06		DELETED		
500	257T4401-2		DELETED		
505	65B80977-1		DELETED		
510	MKP4		DELETED		
515	69B81979-1		DELETED		
520	65B80978-1		DELETED		
525	69B81362-2		DELETED		
530	65B80978-2		DELETED		
535	69B81791-2		DELETED		
540	BACB28AK04-026		DELETED		
545	69B81787-6		DELETED		
550	BACB30NF4-15		DELETED		
555	BACB30NF4-17		DELETED		
560	AN960PD416		DELETED		
565	H10-4BAC		DELETED		
570	NAS509-6		DELETED		
575	NAS1193-6-1		DELETED		
580	NAS1193-6-2		DELETED		
585	REP4M6-4FS428		DELETED		
-585A	BACB10A446H		DELETED		
590	NAS509L6		DELETED		
595	NAS1193-6-1		DELETED		
600	NAS1193-6-2		DELETED		
605	REP4ML6-4FS428		DELETED		

32-21-21

 ILLUSTRATED PARTS LIST
 01.101 Page 1090I
 Nov 01/05

FIG. & ITEM	PART NO.	AIRLINE PART NUMBER	NOMENCLATURE 1234567	EFF CODE	QTY PER ASSY
07-					
-605A	REP4ML6-4E91715		DELETED		
610	69B81787-8		DELETED		
615	65-35436-15		DELETED		
620	BACB28AK04-026		DELETED		
625	69B81791-4		DELETED		
630	257T4405-1		DELETED		
635	NAS623-3-17		DELETED		
640	AN960PD10		DELETED		
645	H10-3BAC		DELETED		
650	NAS1368N12A		DELETED		
655	BACR15DR3		DELETED		
660	F5000-3BAC		DELETED		
665	BACR15FT5KE		DELETED		
670	257T4405-8		DELETED		
675	257T4405-11		DELETED		
680	NAS623-3-17		DELETED		
685	AN960PD10		DELETED		
690	H10-3BAC		DELETED		
695	BACB30NF4-32		DELETED		
700	AN960PD416		DELETED		
705	H10-4BAC		DELETED		
710	BACB30NF6-32		DELETED		
715	NAS43HT6-20		DELETED		
720	AN960PD616		DELETED		
725	H10-6BAC		DELETED		
730	257T4405-2		DELETED		
735	NAS1368N12A		DELETED		
740	BACR15BA4AD		DELETED		
745	257T4405-16		DELETED		
750	BACR15FT5KE		DELETED		
755	257T4405-7		DELETED		
760	BACR15DR3		DELETED		
765	F5000-3BAC		DELETED		
770	BACR15FT5KE		DELETED		
775	257T4405-15		DELETED		
780	257T4405-10		DELETED		
785	257T4405-12		DELETED		
790	BACB28AK04-149		DELETED		
795	NAS72-6E009		DELETED		
800	257T4403-1		DELETED		
805	69B82080-2		DELETED		
810	257T4403-2		DELETED		
815	KP6AFS428		DELETED		
820	257T4402-4		DELETED		
825	KP6AFS428		DELETED		

32-21-21

 ILLUSTRATED PARTS LIST
 01.101 Page 1090J
 Nov 01/05

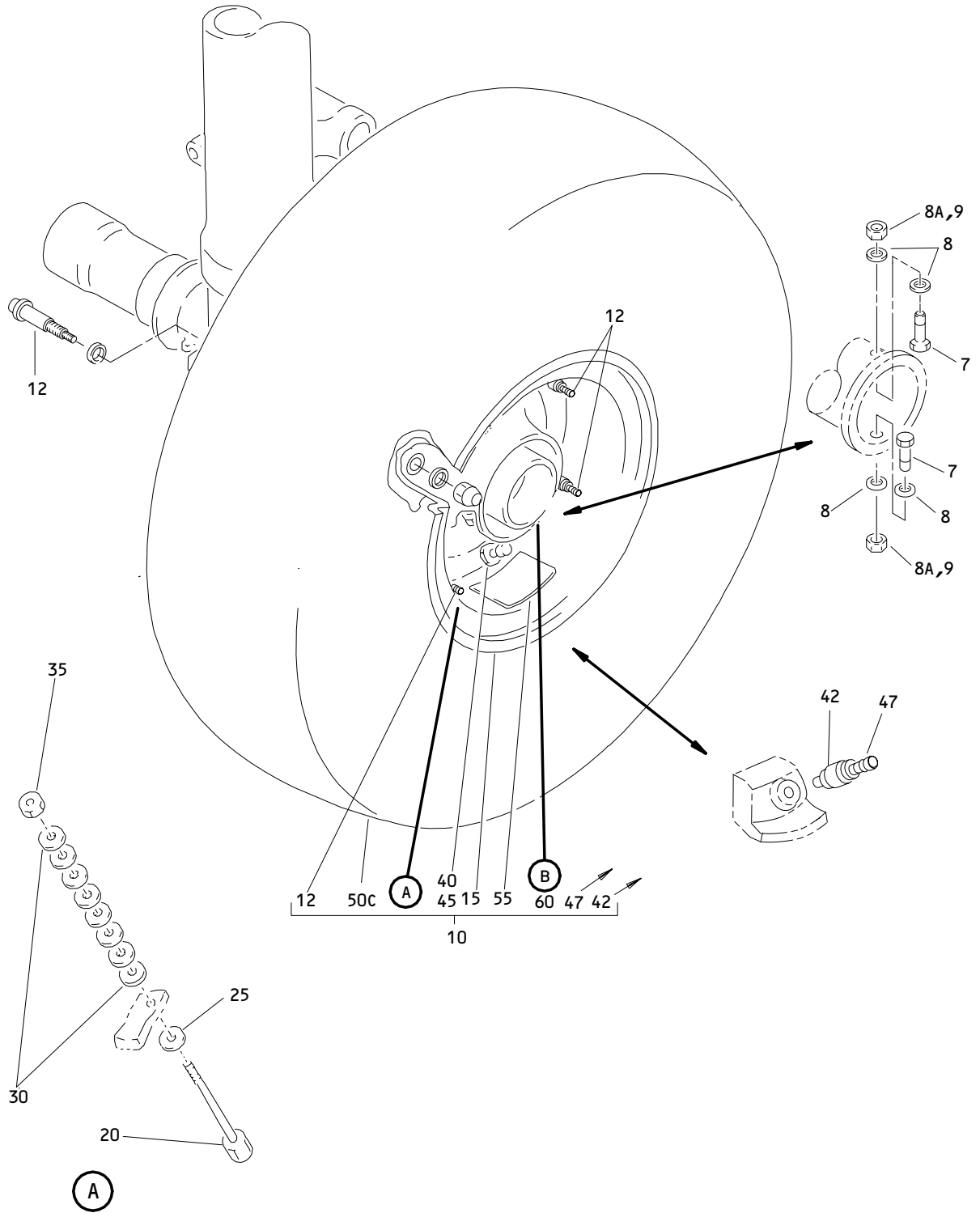

BOEING
 COMPONENT
 MAINTENANCE MANUAL

FIG. & ITEM	PART NO.	AIRLINE PART NUMBER	NOMENCLATURE	EFF CODE	QTY PER ASSY
			1234567		
07-					
830B	BACB28U10C084		DELETED		
835	69B82080-2		DELETED		
840	257T4402-5		DELETED		
845	257T4403-3		DELETED		
850	257T4405-18		DELETED		
855	NAS1368N10A		DELETED		
860	BACR15DR3		DELETED		
865	F5000-3BAC		DELETED		
870	BACR15FT5KE		DELETED		
875	257T4405-4		DELETED		
880	BACR15BA5KE		DELETED		
885	257T4405-6		DELETED		
890	257T4405-5		DELETED		
895	257T4405-9		DELETED		
900	257T4405-14		DELETED		
905	257T4405-17		DELETED		

- Item Not Illustrated

32-21-21

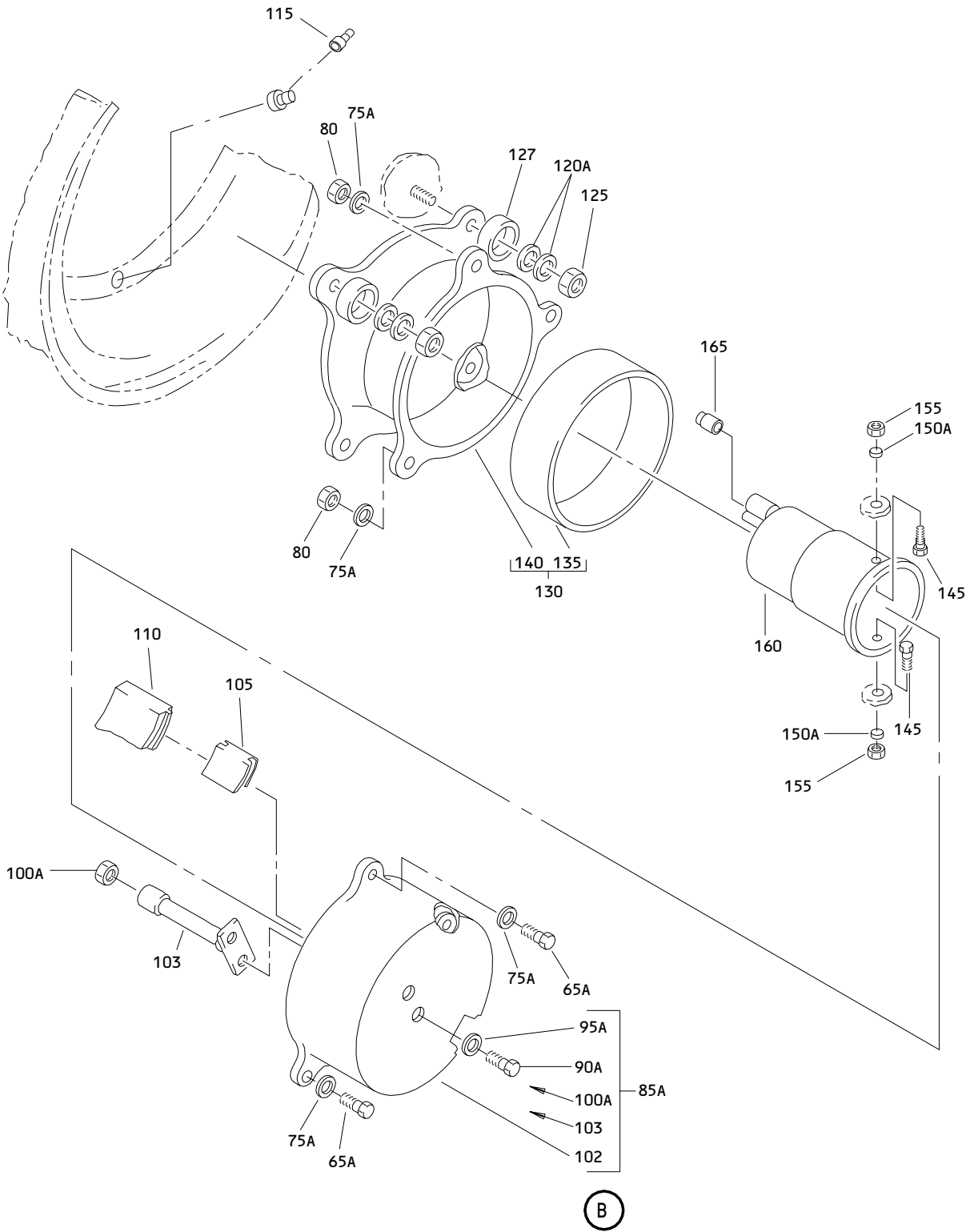
ILLUSTRATED PARTS LIST
 01.101 Page 1090K
 Nov 01/05



Wheel and Tire Installation - Nose Landing Gear
Figure 8 (Sheet 1)

32-21-21

ILLUSTRATED PARTS LIST
01.101 Page 1090M
Nov 01/05



Wheel and Tire Installation - Nose Landing Gear
 Figure 8 (Sheet 2)

32-21-21

ILLUSTRATED PARTS LIST
 01.101 Page 1090N
 Nov 01/05

BOEING
 COMPONENT
 MAINTENANCE MANUAL

FIG. & ITEM	PART NO.	AIRLINE PART NUMBER	NOMENCLATURE	EFF CODE	QTY PER ASSY
08-1	166T0000-1		1234567 WHEEL AND TIRE INSTL-NLG	U,W,Y ,Z,AA ,AE-A H,AL, AN AQ-BA ,BE,B F,B M-BV BX-BZ ,CB-C R,CT, CZ,DF ,DG DK,DN ,DP,D S-ES	RF
-5	166T0000-5001		.WHEEL AND TIRE INSTL-(LIMITED)	U,W,Y ,Z,AA ,AE-A H,AL, AN AQ-BA ,BE,B F,B M-BV BX-BZ ,CB-C R,CT, CZ,DF ,DG DK,DN ,DP,D S-ES	2

32-21-21

ILLUSTRATED PARTS LIST
 01.101 Page 10900
 Nov 01/05

FIG. & ITEM	PART NO.	AIRLINE PART NUMBER	NOMENCLATURE 1234567	EFF CODE	QTY PER ASSY
08- -5A	166T0000-5002		.WHEEL AND TIRE INSTL- (LIMITED)	U,W,Y ,Z,AA ,AE-A H,AL, AN AQ-BA ,BE,B F,B M-BV BX-BZ ,CB-C R,CT, CZ,DF ,DG DK,DN ,DP,D S-ES	2
-5B	166T0000-5003		.WHEEL AND TIRE INSTL- (LIMITED)	U,W,Y ,Z,AA ,AE-A H,AL, AN AQ-BA ,BE,B F,B M-BV BX-BZ ,CB-C R,CT, CZ,DF ,DG DK,DN ,DP,D S-ES	2

32-21-21

 ILLUSTRATED PARTS LIST
 01.101 Page 1090P
 Nov 01/05

BOEING
 COMPONENT
 MAINTENANCE MANUAL

FIG. & ITEM	PART NO.	AIRLINE PART NUMBER	NOMENCLATURE	EFF CODE	QTY PER ASSY
08-5C	166T0000-5004		1234567 .WHEEL AND TIRE INSTL- (LIMITED)	U,W,Y ,Z,AA ,AE-A H,AL, AN AQ-BA ,BE,B F,B M-BV BX-BZ ,CB-C R,CT, CZ,DF ,DG DK,DN ,DP,D S-ES	2
-5D	166T0000-5005		.WHEEL AND TIRE INSTL- (LIMITED)	U,W,Y ,Z,AA ,AE-A H,AL, AN AQ-BA ,BE,B F,B M-BV BX-BZ ,CB-C R,CT, CZ,DF ,DG DK,DN ,DP,D S-ES	2

32-21-21

ILLUSTRATED PARTS LIST
 01.101 Page 1090Q
 Nov 01/05

FIG. & ITEM	PART NO.	AIRLINE PART NUMBER	NOMENCLATURE 1234567	EFF CODE	QTY PER ASSY
08- -5E	166T0000-5006		.WHEEL AND TIRE INSTL- (LIMITED)	U,W,Y ,Z,AA ,AE-A H,AL, AN AQ-BA ,BE,B F,B M-BV BX-BZ ,CB-C R,CT, CZ,DF ,DG DK,DN ,DP,D S-ES	2
-5F	166T0000-5007		.WHEEL AND TIRE INSTL- (LIMITED)	U,W,Y ,Z,AA ,AE-A H,AL, AN AQ-BA ,BE,B F,B M-BV BX-BZ ,CB-C R,CT, CZ,DF ,DG DK,DN ,DP,D S-ES	2

32-21-21

 ILLUSTRATED PARTS LIST
 01.101 Page 1090R
 Nov 01/05

BOEING
 COMPONENT
 MAINTENANCE MANUAL

FIG. & ITEM	PART NO.	AIRLINE PART NUMBER	NOMENCLATURE 1234567	EFF CODE	QTY PER ASSY
08- -5G	166T0000-5008		.WHEEL AND TIRE INSTL- (LIMITED)	U,W,Y ,Z,AA ,AE-A H,AL, AN AQ-BA ,BE,B F,B M-BV BX-BZ ,CB-C R,CT, CZ,DF ,DG DK,DN ,DP,D S-ES	2
-5H	166T0000-5009		.WHEEL AND TIRE INSTL- (LIMITED)	U,W,Y ,Z,AA ,AE-A H,AL, AN AQ-BA ,BE,B F,B M-BV BX-BZ ,CB-C R,CT, CZ,DF ,DG DK,DN ,DP,D S-ES	2

32-21-21

ILLUSTRATED PARTS LIST
 01.101 Page 1090S
 Nov 01/05

FIG. & ITEM	PART NO.	AIRLINE PART NUMBER	NOMENCLATURE 1234567	EFF CODE	QTY PER ASSY
08- -5J	166T0000-5010		.WHEEL AND TIRE INSTL- (LIMITED)	U,W,Y ,Z,AA ,AE-A H,AL, AN AQ-BA ,BE,B F,B M-BV BX,BZ ,CB-C R,CT, CZ,DF ,DG DK,DN ,DP,D S-ES	2
-5K	166T0000-5011		.WHEEL AND TIRE INSTL- (LIMITED)	U,W,Y ,Z,AA ,AE-A H,AL, AN AQ-BA ,BE,B F,B M-BV BX-BZ ,CB-C R,CT, CZ,DF ,DG DK,DN ,DP,D S-ES	2

32-21-21

 ILLUSTRATED PARTS LIST
 01.101 Page 1090T
 Nov 01/05

BOEING
 COMPONENT
 MAINTENANCE MANUAL

FIG. & ITEM	PART NO.	AIRLINE PART NUMBER	NOMENCLATURE 1234567	EFF CODE	QTY PER ASSY
08- -5L	166T0000-5012		.WHEEL AND TIRE INSTL- (LIMITED)	U,W,Y ,Z,AA ,AE-A H,AL, AN AQ-BA ,BE,B F,B M-BV BX-BZ ,CB-C R,CT, CZ,DF ,DG DK,DN ,DP,D S-ES	2
-5M	166T0000-5013		.WHEEL AND TIRE INSTL- (LIMITED)	U,W,Y ,Z,AA ,AE-A H,AL, AN AQ-BA ,BE,B F,B M-BV BX-BZ ,CB-C R,CT, CZ,DF ,DG DK,DN ,DP,D S-ES	2

32-21-21

ILLUSTRATED PARTS LIST
 01.101 Page 1090U
 Nov 01/05

FIG. & ITEM	PART NO.	AIRLINE PART NUMBER	NOMENCLATURE 1234567	EFF CODE	QTY PER ASSY
08- -5N	166T0000-5014		.WHEEL AND TIRE INSTL- (LIMITED)	U,W,Y ,Z,AA ,AE-A H,AL, AN AQ-BA ,BE,B F,B M-BV BX-BZ ,CB-C R,CT, CZ,DF ,DG DK,DN ,DP,D S-ES	2
-5P	166T0000-5015		.WHEEL AND TIRE INSTL- (LIMITED)	U,W,Y ,Z,AA ,AE-A H,AL, AN AQ-BA ,BE,B F,B M-BV BX-BZ ,CB-C R,CT, CZ,DF ,DG DK,DN ,DP,D S-ES	2

32-21-21

 ILLUSTRATED PARTS LIST
 01.101 Page 1090V
 Nov 01/05

BOEING
 COMPONENT
 MAINTENANCE MANUAL

FIG. & ITEM	PART NO.	AIRLINE PART NUMBER	NOMENCLATURE	EFF CODE	QTY PER ASSY
08- -5Q	166T0000-5016		1234567 .WHEEL AND TIRE INSTL- (LIMITED)	U,W,Y ,Z,AA ,AE-A H,AL, AN AQ-BA ,BE,B F,B M-BV BX-BZ ,CB-C R,CT, CZ,DF ,DG DK,DN ,DP,D S-ES	2
-5R	166T0000-5017		.WHEEL AND TIRE INSTL- (LIMITED)	U,W,Y ,Z,AA ,AE-A H,AL, AN AQ-BA ,BE,B F,B M-BV BX-BZ ,CB-C R,CT, CZ,DF ,DG DK,DN ,DP,D S-ES	2

32-21-21

ILLUSTRATED PARTS LIST
 01.101 Page 1090W
 Nov 01/05

FIG. & ITEM	PART NO.	AIRLINE PART NUMBER	NOMENCLATURE 1234567	EFF CODE	QTY PER ASSY
08- -5S	166T0000-5018		.WHEEL AND TIRE INSTL- (LIMITED)	U,W,Y ,Z,AA ,AE-A H,AL, AN AQ-BA ,BE,B F,B M-BV BX-BZ ,CB-C R,CT, CZ,DF ,DG DK,DN ,DP,D S-ES	2
-5T	166T0000-5019		.WHEEL AND TIRE INSTL- (LIMITED)	U,W,Y ,Z,AA ,AE-A H,AL, AN AQ-BA ,BE,B F,B M-BV BX-BZ ,CB-C R,CT, CZ,DF ,DG DK,DN ,DP,D S-ES	2

32-21-21

 ILLUSTRATED PARTS LIST
 01.101 Page 1090X
 Nov 01/05

BOEING
 COMPONENT
 MAINTENANCE MANUAL

FIG. & ITEM	PART NO.	AIRLINE PART NUMBER	NOMENCLATURE	EFF CODE	QTY PER ASSY
08- -5U	166T0000-5020		1234567 .WHEEL AND TIRE INSTL- (LIMITED)	U,W,Y ,Z,AA ,AE-A H,AL, AN AQ-BA ,BE,B F,B M-BV BX-BZ ,CB-C R,CT, CZ,DF ,DG DK,DN ,DP,D S-ES	2
-5V	166T0000-5021		.WHEEL AND TIRE INSTL- (LIMITED)	U,W,Y ,Z,AA ,AE-A H,AL, AN AQ-BA ,BE,B F,B M-BV BX-BZ ,CB-C R,CT, CZ,DF ,DG DK,DN ,DP,D S-ES	2

32-21-21

ILLUSTRATED PARTS LIST
 01.101 Page 1090Y
 Nov 01/05

FIG. & ITEM	PART NO.	AIRLINE PART NUMBER	NOMENCLATURE 1234567	EFF CODE	QTY PER ASSY
08- -5W	166T0000-5022		.WHEEL AND TIRE INSTL- (LIMITED)	U,W,Y ,Z,AA ,AE-A H,AL, AN AQ-BA ,BE,B F,B M-BV BX-BZ ,CB-C R,CT, CZ,DF ,DG DK,DN ,DP,D S-ES	2
-5X	166T0000-5023		.WHEEL AND TIRE INSTL- (LIMITED)	U,W,Y ,Z,AA ,AE-A H,AL, AN AQ-BA ,BE,B F,B M-BV BX,BZ ,CB-C R,CT, CZ,DF ,DG DK,DN ,DP,D S-ES	2

32-21-21

 ILLUSTRATED PARTS LIST
 01.101 Page 1090Z
 Nov 01/05

BOEING
 COMPONENT
 MAINTENANCE MANUAL

FIG. & ITEM	PART NO.	AIRLINE PART NUMBER	NOMENCLATURE 1234567	EFF CODE	QTY PER ASSY
08- -5Y	166T0000-5024		.WHEEL AND TIRE INSTL- (LIMITED)	U,W,Y ,Z,AA ,AE-A H,AL, AN AQ-BA ,BE,B F,B M-BV BX-BZ ,CB-C R,CT, CZ,DF ,DG DK,DN ,DP,D S-ES	2
-5Z	166T0000-5025		.WHEEL AND TIRE INSTL- (LIMITED)	U,W,Y ,Z,AA ,AE-A H,AL, AN AQ-BA ,BE,B F,B M-BV BX-BZ ,CB-C R,CT, CZ,DF ,DG DK,DN ,DP,D S-ES	2

32-21-21

ILLUSTRATED PARTS LIST
 01.101 Page 1091
 Nov 01/05

FIG. & ITEM	PART NO.	AIRLINE PART NUMBER	NOMENCLATURE 1234567	EFF CODE	QTY PER ASSY
08- -6	166T0000-5026		.WHEEL AND TIRE INSTL- (LIMITED)	U,W,Y ,Z,AA ,AE-A H,AL, AN AQ-BA ,BE,B F,B M-BV BX-BZ ,CB-C R,CT, CZ,DF ,DG DK,DN ,DP,D S-ES	2
-6A	166T0000-5027		.WHEEL AND TIRE INSTL- (LIMITED)	U,W,Y ,Z,AA ,AE-A H,AL, AN AQ-BA ,BE,B F,B M-BV BX-BZ ,CB-C R,CT, CZ,DF ,DG DK,DN ,DP,D S-ES	2

32-21-21

 ILLUSTRATED PARTS LIST
 01.101 Page 1092
 Nov 01/05

BOEING
 COMPONENT
 MAINTENANCE MANUAL

FIG. & ITEM	PART NO.	AIRLINE PART NUMBER	NOMENCLATURE	EFF CODE	QTY PER ASSY
08- -6B	166T0000-5028		1234567 .WHEEL AND TIRE INSTL- (LIMITED)	U,W,Y ,Z,AA ,AE-A H,AL, AN AQ-BA ,BE,B F,B M-BV BX-BZ ,CB-C R,CT, CZ,DF ,DG DK,DN ,DP,D S-ES	2
-6C	166T0000-5029		.WHEEL AND TIRE INSTL- (LIMITED)	U,W,Y ,Z,AA ,AE-A H,AL, AN AQ-BA ,BE,B F,B M-BV BX-BZ ,CB-C R,CT, CZ,DF ,DG DK,DN ,DP,D S-ES H,AL,	2

32-21-21

ILLUSTRATED PARTS LIST
 01.101 Page 1092A
 Nov 01/05

FIG. & ITEM	PART NO.	AIRLINE PART NUMBER	NOMENCLATURE 1234567	EFF CODE	QTY PER ASSY
08- -6D	166T0000-5030		.WHEEL AND TIRE INSTL- (LIMITED)	U,W,Y ,Z,AA ,AE-A H,AL, AN AQ-BA ,BE,B F,B M-BV BX-BZ ,CB-C R,CT, CZ,DF ,DG DK,DN ,DP,D S-ES	2
-6E	166T0000-5031		.WHEEL AND TIRE INSTL- (LIMITED)	U,W,Y ,Z,AA ,AE-A AN AQ-BA ,BE,B F,B M-BV BX-BZ ,CB-C R,CT, CZ,DF ,DG DK,DN ,DP,D S-ES	2

32-21-21

 ILLUSTRATED PARTS LIST
 01.101 Page 1092B
 Nov 01/05

BOEING
 COMPONENT
 MAINTENANCE MANUAL

FIG. & ITEM	PART NO.	AIRLINE PART NUMBER	NOMENCLATURE	EFF CODE	QTY PER ASSY
08- -6F	166T0000-5032		1234567 .WHEEL AND TIRE INSTL- (LIMITED)	U,W,Y ,Z,AA ,AE-A H,AL, AN AQ-BA ,BE,B F,B M-BV BX-BZ ,CB-C R,CT, CZ,DF ,DG DK,DN ,DP,D S-ES	2
-6G	166T0000-5033		.WHEEL AND TIRE INSTL- (LIMITED)	U,W,Y ,Z,AA ,AE-A H,AL, AN AQ-BA ,BE,B F,B M-BV BX-BZ ,CB-C R,CT, CZ,DF ,DG DK,DN ,DP,D S-ES	2

32-21-21

ILLUSTRATED PARTS LIST
 01.101 Page 1092C
 Nov 01/05

FIG. & ITEM	PART NO.	AIRLINE PART NUMBER	NOMENCLATURE 1234567	EFF CODE	QTY PER ASSY
08- -6H	166T0000-5034		.WHEEL AND TIRE INSTL- (LIMITED)	U,W,Y ,Z,AA ,AE-A H,AL, AN AQ-BA ,BE,B F,B M-BV BX-BZ ,CB-C R,CT, CZ,DF ,DG DK,DN ,DP,D S-ES	2
-6J	166T0000-5035		.WHEEL AND TIRE INSTL- (LIMITED)	U,W,Y ,Z,AA ,AE-A H,AL, AN AQ-BA ,BE,B F,B M-BV BX-BZ ,CB-C R,CT, CZ,DF ,DG DK,DN ,DP,D S-ES	2

32-21-21

 ILLUSTRATED PARTS LIST
 01.101 Page 1092D
 Nov 01/05

BOEING
 COMPONENT
 MAINTENANCE MANUAL

FIG. & ITEM	PART NO.	AIRLINE PART NUMBER	NOMENCLATURE 1234567	EFF CODE	QTY PER ASSY
08- -6K	166T0000-5036		.WHEEL AND TIRE INSTL- (LIMITED)	U,W,Y ,Z,AA ,AE-A H,AL, AN AQ-BA ,BE,B F,B M-BV BX-BZ ,CB-C R,CT, CZ,DF ,DG DK,DN ,DP,D S-ES	2
-6L	166T0000-5037		.WHEEL AND TIRE INSTL- (LIMITED)	U,W,Y ,Z,AA ,AE-A H,AL, AN AQ-BA ,BE,B F,B M-BV BX-BZ ,CB-C R,CT, CZ,DF ,DG DK,DN ,DP,D S-ES	2

32-21-21

ILLUSTRATED PARTS LIST
 01.101 Page 1092E
 Nov 01/05

FIG. & ITEM	PART NO.	AIRLINE PART NUMBER	NOMENCLATURE 1234567	EFF CODE	QTY PER ASSY
08- -6M	166T0000-5038		.WHEEL AND TIRE INSTL- (LIMITED)	U,W,Y ,Z,AA ,AE-A H,AL, AN AQ-BA ,BE,B F,B M-BV BX-BZ ,CB-C R,CT, CZ,DF ,DG DK,DN ,DP,D S-ES	2
-6N	166T0000-5039		.WHEEL AND TIRE INSTL- (LIMITED)	U,W,Y ,Z,AA ,AE-A H,AL, AN AQ-BA ,BE,B F,B M-BV BX-BZ ,CB-C R,CT, CZ,DF ,DG DK,DN ,DP,D S-ES	2

32-21-21

 ILLUSTRATED PARTS LIST
 01.101 Page 1092F
 Nov 01/05

BOEING
 COMPONENT
 MAINTENANCE MANUAL

FIG. & ITEM	PART NO.	AIRLINE PART NUMBER	NOMENCLATURE 1234567	EFF CODE	QTY PER ASSY
08- -6P	166T0000-5040		.WHEEL AND TIRE INSTL- (LIMITED)	U,W,Y ,Z,AA ,AE-A H,AL, AN AQ-BA ,BE,B F,B M-BV BX-BZ ,CB-C R,CT, CZ,DF ,DG DK,DN ,DP,D S-ES	2
-6Q	166T0000-5041		.WHEEL AND TIRE INSTL- (LIMITED)	U,W,Y ,Z,AA ,AE-A H,AL, AN AQ-BA ,BE,B F,B M-BV BX-BZ ,CB-C R,CT, CZ,DF ,DG DK,DN ,DP,D S-ES	2

32-21-21

ILLUSTRATED PARTS LIST
 01.101 Page 1092G
 Nov 01/05

FIG. & ITEM	PART NO.	AIRLINE PART NUMBER	NOMENCLATURE	EFF CODE	QTY PER ASSY
08-6R	166T0000-5042		.WHEEL AND TIRE INSTL- (LIMITED)	U,W,Y ,Z,AA ,AE-A H,AL, AN AQ-BA ,BE,B F,B M-BV BX-BZ ,CB-C R,CT, CZ,DF ,DG DK,DN ,DP,D S-ES	2
7	NAS6704-11		..BOLT- (USED ON ITEMS 5B, 5D, 5N, 5S, 5T, 5U, 5V, 5W, 5X, 5Y, 5Z, 6, 6A, 6B, 6C, 6D, 6F, 6G, 6J, 6K, 6L, 6M, 6P, 6Q, 6R)	U,W,Y ,Z,AA ,AE-A H,AL, AN AQ-BA ,BE,B F,B M-BV BX-BZ ,CB-C R,CT, CZ,DF ,DG DK,DN ,DP,D S-ES	2

32-21-21

 ILLUSTRATED PARTS LIST
 01.101 Page 1092H
 Nov 01/05

BOEING
 COMPONENT
 MAINTENANCE MANUAL

FIG. & ITEM	PART NO.	AIRLINE PART NUMBER	NOMENCLATURE	EFF CODE	QTY PER ASSY
08-7J	NAS1149D0463J		1234567 ..WASHER- (USED ON ITEM 6R)	U,W,Y ,Z,AA ,AE-A H,AL, AN AQ-BA ,BE,B F,B M-BV BX-BZ ,CB-C R,CT, CZ,DF ,DG DK,DN ,DP,D S-ES	4
8	AN960JD416		..WASHER- (USED ON ITEMS 5B, 5D, 5N, 5S, 5T, 5U, 5V, 5W, 5X, 5Y, 5Z, 6, 6A, 6B, 6C, 6D, 6F, 6G, 6K, 6L, 6M, 6P, 6Q)	U,W,Y ,Z,AA ,AE-A H,AL, AN AQ-BA ,BE,B F,B M-BV BX-BZ ,CB-C R,CT, CZ,DF ,DG DK,DN ,DP,D S-ES	4

32-21-21

ILLUSTRATED PARTS LIST
 01.101 Page 1092I
 Nov 01/05

FIG. & ITEM	PART NO.	AIRLINE PART NUMBER	NOMENCLATURE	EFF CODE	QTY PER ASSY
08-8A	MS21042L4		1234567 ..NUT- (USED ON ITEM 6J)	U,W,Y ,Z,AA ,AE-A H,AL, AN AQ-BA ,BE,B F,B M-BV BX-BZ ,CB-C R,CT, CZ,DF ,DG DK,DN ,DP,D S-ES	4
9	MS21042L4		..NUT- (USED ON ITEMS 5B, 5D, 5N, 5S, 5T, 5U, 5V, 5W, 5X, 5Y, 5Z, 6, 6A, 6B, 6C, 6D, 6F, 6G, 6J, 6K 6L, 6M, 6P, 6Q, 6R)	U,W,Y ,Z,AA ,AE-A H,AL, AN AQ-BA ,BE,B F,B M-BV BX-BZ ,CB-C R,CT, CZ,DF ,DG DK,DN ,DP,D S-ES	2

32-21-21

 ILLUSTRATED PARTS LIST
 01.101 Page 1092J
 Nov 01/05

BOEING
 COMPONENT
 MAINTENANCE MANUAL

FIG. & ITEM	PART NO.	AIRLINE PART NUMBER	NOMENCLATURE	EFF CODE	QTY PER ASSY
08-10	166T0100-1		1234567 ..WHEEL AND TIRE ASSY- (OPT ITEM 10H) (USED ON ITEMS 5, 5H, 5J, 5S, 5X, 5Y, 6H)	U,W,Y ,Z,AA ,AE-A H,AL, AN AQ-BA ,BE,B F,B M-BV BX-BZ ,CB-C R,CT, CZ,DF ,DG DK,DN ,DP,D S-ES	1
-10A	166T0100-2		..WHEEL AND TIRE ASSY- (OPT ITEM 10J) (USED ON ITEMS 5A, 5T)	U,W,Y ,Z,AA ,AE-A H,AL, AN AQ-BA ,BE,B F,B M-BV BX-BZ ,CB-C R,CT, CZ,DF ,DG DK,DN ,DP,D S-ES	1

32-21-21

ILLUSTRATED PARTS LIST
 01.101 Page 1092K
 Nov 01/05

FIG. & ITEM	PART NO.	AIRLINE PART NUMBER	NOMENCLATURE 1234567	EFF CODE	QTY PER ASSY
08- -10B	166T0100-3		..WHEEL AND TIRE ASSY- (OPT ITEM 10K) (USED ON ITEM 5B)	U,W,Y ,Z,AA ,AE-A H,AL, AN AQ-BA ,BE,B F,B M-BV BX-BZ ,CB-C R,CT, CZ,DF ,DG DK,DN ,DP,D S-ES	1
-10C	166T0100-4		..WHEEL AND TIRE ASSY- (OPT ITEM 10L) (USED ON ITEM 5C)	U,W,Y ,Z,AA ,AE-A H,AL, AN AQ-BA ,BE,B F,B M-BV BX-BZ ,CB-C R,CT, CZ,DF ,DG DK,DN ,DP,D S-ES	1

32-21-21

 ILLUSTRATED PARTS LIST
 01.101 Page 1092L
 Nov 01/05

BOEING
 COMPONENT
 MAINTENANCE MANUAL

FIG. & ITEM	PART NO.	AIRLINE PART NUMBER	NOMENCLATURE	EFF CODE	QTY PER ASSY
08- -10D	166T0100-5		1234567 ..WHEEL AND TIRE ASSY- (OPT ITEM 10M) (USED ON ITEM 5D)	U,W,Y ,Z,AA ,AE-A H,AL, AN AQ-BA ,BE,B F,B M-BV BX-BZ ,CB-C R,CT, CZ,DF ,DG DK,DN ,DP,D S-ES	1
-10E	166T0100-6		..WHEEL AND TIRE ASSY- (OPT ITEM 10N) (USED ON ITEMS 5E, 5P, 5Q, 5U, 6, 6A)	U,W,Y ,Z,AA ,AE-A H,AL, AN AQ-BA ,BE,B F,B M-BV BX,BZ ,CB,C T,CZ, DF,DG DK,DN ,DP,D S-ES	1

32-21-21

ILLUSTRATED PARTS LIST
 01.101 Page 1092M
 Nov 01/05

FIG. & ITEM	PART NO.	AIRLINE PART NUMBER	NOMENCLATURE 1234567	EFF CODE	QTY PER ASSY
08- -10F	166T0100-7		..WHEEL AND TIRE ASSY- (OPT ITEM 10P) (USED ON ITEMS 5F, 5V)	U,W,Y ,Z,AA ,AE-A H,AL, AN AQ-BA ,BE,B F,B M-BV BX-BZ ,CB-C R,CT, CZ,DF ,DG DK,DN ,DP,D S-ES	1
-10G	166T0100-8		..WHEEL AND TIRE ASSY- (OPT ITEM 10Q) (USED ON ITEMS 5G, 5W)	U,W,Y ,Z,AA ,AE-A H,AL, AN AQ-BA ,BE,B F,B M-BV BX-BZ ,CB-C R,CT, CZ,DF ,DG DK,DN ,DP,D S-ES	1

32-21-21

 ILLUSTRATED PARTS LIST
 01.101 Page 1092N
 Nov 01/05

BOEING
 COMPONENT
 MAINTENANCE MANUAL

FIG. & ITEM	PART NO.	AIRLINE PART NUMBER	NOMENCLATURE	EFF CODE	QTY PER ASSY
08- -10H	162T0000-401		1234567 ..WHEEL AND TIRE ASSY- (OPT ITEM 10) (USED ON ITEMS 5, 5H, 5J, 5S, 5X, 5Y)	U,W,Y ,Z,AA ,AE-A H,AL, AN AQ-BA ,BE,B F,B M-BV BX-BZ ,CB-C R,CT, CZ,DF ,DG DK,DN ,DP,D S-ES	1
-10J	162T0000-402		..WHEEL AND TIRE ASSY- (OPT ITEM 10A) (USED ON ITEM 5A, 5T)	U,W,Y ,Z,AA ,AE-A H,AL, AN AQ-BA ,BE,B F,B M-BV BX-BZ ,CB-C R,CT, CZ,DF ,DG DK,DN ,DP,D S-ES	1

32-21-21

ILLUSTRATED PARTS LIST
 01.101 Page 10920
 Nov 01/05

FIG. & ITEM	PART NO.	AIRLINE PART NUMBER	NOMENCLATURE 1234567	EFF CODE	QTY PER ASSY
08- -10K	162T0000-403		..WHEEL AND TIRE ASSY- (OPT ITEM 10B) (USED ON ITEM 5B)	U,W,Y ,Z,AA ,AE-A H,AL, AN AQ-BA ,BE,B F,B M-BV BX-BZ ,CB-C R,CT, CZ,DF ,DG DK,DN ,DP,D S-ES	1
-10L	162T0000-404		..WHEEL AND TIRE ASSY- (OPT ITEM 10C) (USED ON ITEM 5C)	U,W,Y ,Z,AA ,AE-A H,AL, AN AQ-BA ,BE,B F,B M-BV BX-BZ ,CB-C R,CT, CZ,DF ,DG DK,DN ,DP,D S-ES	1

32-21-21

 ILLUSTRATED PARTS LIST
 01.101 Page 1092P
 Nov 01/05

BOEING
 COMPONENT
 MAINTENANCE MANUAL

FIG. & ITEM	PART NO.	AIRLINE PART NUMBER	NOMENCLATURE	EFF CODE	QTY PER ASSY
08- -10M	162T0000-408		1234567 ..WHEEL AND TIRE ASSY- (OPT ITEM 10D) (USED ON ITEM 5D)	U,W,Y ,Z,AA ,AE-A H,AL, AN AQ-BA ,BE,B F,B M-BV BX-BZ ,CB-C R,CT, CZ,DF ,DG DK,DN ,DP,D S-ES	1
-10N	162T0000-409		..WHEEL AND TIRE ASSY- (OPT ITEM 10E) (USED ON ITEMS 5E, 5P 5Q, 5U, 6, 6A)	U,W,Y ,Z,AA ,AE-A H,AL, AN AQ-BA ,BE,B F,B M-BV BX-BZ ,CB-C R,CT, CZ,DF ,DG DK,DN ,DP,D S-ES	1

32-21-21

ILLUSTRATED PARTS LIST
 01.101 Page 1092Q
 Nov 01/05

FIG. & ITEM	PART NO.	AIRLINE PART NUMBER	NOMENCLATURE	EFF CODE	QTY PER ASSY
08- -10P	162T0000-407		1234567 ..WHEEL AND TIRE ASSY- (OPT ITEM 10F) (USED ON ITEMS 5F, 5N, 5V)	U,W,Y ,Z,AA ,AE-A H,AL, AN AQ-BA ,BE,B F,B M-BV BX-BZ ,CB-C R,CT, CZ,DF ,DG DK,DN ,DP,D S-ES	1
-10Q	162T0000-410		..WHEEL AND TIRE ASSY- (OPT ITEM 10G) (USED ON ITEMS 5G, 5W)	U,W,Y ,Z,AA ,AE-A H,AL, AN AQ-BA ,BE,B F,B M-BV BX-BZ ,CB-C R,CT, CZ,DF ,DG DK,DN ,DP,D S-ES	1

32-21-21

 ILLUSTRATED PARTS LIST
 01.101 Page 1092R
 Nov 01/05

BOEING
 COMPONENT
 MAINTENANCE MANUAL

FIG. & ITEM	PART NO.	AIRLINE PART NUMBER	NOMENCLATURE	EFF CODE	QTY PER ASSY
08- -10R	166T0100-9		1234567 ..WHEEL AND TIRE ASSY- (USED ON ITEMS 5K, 5Z, 6G)	U,W,Y ,Z,AA ,AE-A H,AL, AN AQ-BA ,BE,B F,B M-BV BX-BZ ,CB-C R,CT, CZ,DF ,DG DK,DN ,DP,D S-ES	1
-10S	166T0100-10		..WHEEL AND TIRE ASSY- (USED ON ITEM 5L)	U,W,Y ,Z,AA ,AE-A H,AL, AN AQ-BA ,BE,B F,B M-BV BX-BZ ,CB-C R,CT, CZ,DF ,DG DK,DN ,DP,D S-ES	1

32-21-21

ILLUSTRATED PARTS LIST
 01.101 Page 1092S
 Nov 01/05

FIG. & ITEM	PART NO.	AIRLINE PART NUMBER	NOMENCLATURE 1234567	EFF CODE	QTY PER ASSY
08- -10T	166T0100-11		..WHEEL AND TIRE ASSY- (USED ON ITEM 5M, 6H, 6N)	U,W,Y ,Z,AA ,AE-A H,AL, AN AQ-BA ,BE,B F,B M-BV BX-BZ ,CB-C R,CT, CZ,DF ,DG DK,DN ,DP,D S-ES	1
-10U	166T0100-13		..WHEEL AND TIRE ASSY- (USED ON ITEMS 5R, 6B)	U,W,Y ,Z,AA ,AE-A H,AL, AN AQ-BA ,BE,B F,B M-BV BX-BZ ,CB-C R,CT, CZ,DF ,DG DK,DN ,DP,D S-ES	1

32-21-21

 ILLUSTRATED PARTS LIST
 01.101 Page 1092T
 Nov 01/05

BOEING
 COMPONENT
 MAINTENANCE MANUAL

FIG. & ITEM	PART NO.	AIRLINE PART NUMBER	NOMENCLATURE	EFF CODE	QTY PER ASSY
08- -10V	166T0100-12		1234567 ..WHEEL AND TIRE ASSY- (USED ON ITEMS 6C, 6E)	U,W,Y ,Z,AA ,AE-A H,AL, AN AQ-BA ,BE,B F,B M-BV BX-BZ ,CB-C R,CT, CZ,DF ,DG DK,DN ,DP,D S-ES	1
-10W	166T0100-15		..WHEEL AND TIRE ASSY- (USED ON ITEM 6D)	U,W,Y ,Z,AA ,AE-A H,AL, AN AQ-BA ,BE,B F,B M-BV BX-BZ ,CB-C R,CT, CZ,DF ,DG DK,DN ,DP,D S-ES	1

32-21-21

ILLUSTRATED PARTS LIST
 01.101 Page 1092U
 Nov 01/05

FIG. & ITEM	PART NO.	AIRLINE PART NUMBER	NOMENCLATURE 1234567	EFF CODE	QTY PER ASSY
08- -10X	166T0100-7		..WHEEL AND TIRE ASSY- (USED ON ITEM 6F)	U,W,Y ,Z,AA ,AE-A H,AL, AN AQ-BA ,BE,B F,B M-BV BX-BZ ,CB-C R,CT, CZ,DF ,DG DK,DN ,DP,D S-ES	1
-10Y	166T0100-18		..WHEEL AND TIRE ASSY- (USED ON ITEM 6J)	U,W,Y ,Z,AA ,AE-A H,AL, AN AQ-BA ,BE,B F,B M-BV BX-BZ ,CB-C R,CT, CZ,DF ,DG DK,DN ,DP,D S-ES	1

32-21-21

 ILLUSTRATED PARTS LIST
 01.101 Page 1092V
 Nov 01/05

BOEING
 COMPONENT
 MAINTENANCE MANUAL

FIG. & ITEM	PART NO.	AIRLINE PART NUMBER	NOMENCLATURE	EFF CODE	QTY PER ASSY
08- -10Z	166T0100-19		1234567 ..WHEEL AND TIRE ASSY- (USED ON ITEM 6L)	U,W,Y ,Z,AA ,AE-A H,AL, AN AQ-BA ,BE,B F,B M-BV BX-BZ ,CB-C R,CT, CZ,DF ,DG DK,DN ,DP,D S-ES	1
-11	166T0100-20		..WHEEL AND TIRE ASSY- (USED ON ITEM 6K)	U,W,Y ,Z,AA ,AE-A H,AL, AN AQ-BA ,BE,B F,B M-BV BX-BZ ,CB-C R,CT, CZ,DF ,DG DK,DN ,DP,D S-ES	1

32-21-21

ILLUSTRATED PARTS LIST
 01.101 Page 1092W
 Nov 01/05

FIG. & ITEM	PART NO.	AIRLINE PART NUMBER	NOMENCLATURE 1234567	EFF CODE	QTY PER ASSY
08- -11A	166T0100-21		..WHEEL AND TIRE ASSY- (USED ON ITEM 6M)	U,W,Y ,Z,AA ,AE-A H,AL, AN AQ-BA ,BE,B F,B M-BV BX-BZ ,CB-C R,CT, CZ,DF ,DG DK,DN ,DP,D S-ES	1
-11B	166T0100-22		..WHEEL AND TIRE ASSY- (USED ON ITEM 6P)	U,W,Y ,Z,AA ,AE-A H,AL, AN AQ-BA ,BE,B F,B M-BV BX-BZ ,CB-C R,CT, CZ,DF ,DG DK,DN ,DP,D S-ES	1

32-21-21

 ILLUSTRATED PARTS LIST
 01.101 Page 1092X
 Nov 01/05

BOEING
 COMPONENT
 MAINTENANCE MANUAL

FIG. & ITEM	PART NO.	AIRLINE PART NUMBER	NOMENCLATURE	EFF CODE	QTY PER ASSY
08-11C	166T0100-23		1234567 ..WHEEL AND TIRE ASSY- (USED ON ITEM 6Q)	U,W,Y ,Z,AA ,AE-A H,AL, AN AQ-BA ,BE,B F,B M-BV BX-BZ ,CB-C R,CT, CZ,DF ,DG DK,DN ,DP,D S-ES	1
-11D	166T0100-24		..WHEEL AND TIRE ASSY- (USED ON ITEM 6R)	U,W,Y ,Z,AA ,AE-A H,AL, AN AQ-BA ,BE,B F,B M-BV BX-BZ ,CB-C R,CT, CZ,DF ,DG DK,DN ,DP,D S-ES	1

32-21-21

ILLUSTRATED PARTS LIST
 01.101 Page 1092Y
 Nov 01/05

FIG. & ITEM	PART NO.	AIRLINE PART NUMBER	NOMENCLATURE 1234567	EFF CODE	QTY PER ASSY
08-12	2610268		...BOLT-WHEEL TIE (V55284) (USED ON ITEMS 10S, 10T)	U,W,Y ,Z,AA ,AE-A H,AL, AN AQ-BA ,BE,B F,B M-BV BX-BZ ,CB-C R,CT, CZ,DF ,DG DK,DN ,DP,D S-ES	4
15	2606735-1		...WHEEL ASSY- (V55284) (SPEC S160T200-30) (USED ON ITEMS 10, 10A, 10B, 10C, 10D, 11D)	U,W,Y ,Z,AA ,AE-A H,AL, AN AQ-BA ,BE,B F,B M-BV BX-BZ ,CB-C R,CT, CZ,DF ,DG DK,DN ,DP,D S-ES	1

32-21-21

 ILLUSTRATED PARTS LIST
 01.101 Page 1092Z
 Nov 01/05

BOEING
 COMPONENT
 MAINTENANCE MANUAL

FIG. & ITEM	PART NO.	AIRLINE PART NUMBER	NOMENCLATURE	EFF CODE	QTY PER ASSY
08- -15A -15B	S160T200-31 2606735-2		1234567 DELETED ...WHEEL ASSY- (V55284) (SPEC S160T200-31) (USED ON ITEMS 10E, 10F, 10G, 10R, 10S, 10T, 10U, 10V, 10W, 10X, 10Y, 10Z 11, 11A, 11B, 11C)	U,W,Y ,Z,AA ,AE-A H,AL, AN AQ-BA ,BE,B F,B M-BV BX-BZ ,CB-C R,CT, CZ,DF ,DG DK,DN ,DP,D S-ES	1
20	MS16998-32		...SCREW- (USED ON ITEM 10D)	U,W,Y ,Z,AA ,AE-A H,AL, AN AQ-BA ,BE,B F,B M-BV BX-BZ ,CB-C R,CT, CZ,DF ,DG DK,DN ,DP,D S-ES	1

32-21-21

ILLUSTRATED PARTS LIST
 01.101 Page 1093
 Nov 01/05

FIG. & ITEM	PART NO.	AIRLINE PART NUMBER	NOMENCLATURE	EFF CODE	QTY PER ASSY
08-25	AN960-10L		1234567 ...WASHER- (USED ON ITEM 10D)	U,W,Y ,Z,AA ,AE-A H,AL, AN AQ-BA ,BE,B F,B M-BV BX-BZ ,CB-C R,CT, CZ,DF ,DG DK,DN ,DP,D S-ES	1
30	AN970-3		...WASHER- (USED ON ITEM 10D)	U,W,Y ,Z,AA ,AE-A H,AL, AN AQ-BA ,BE,B F,B M-BV BX-BZ ,CB,C T,CZ, DF,DG DK,DN ,DP,D S-ES	8

32-21-21

 ILLUSTRATED PARTS LIST
 01.101 Page 1094
 Nov 01/05

BOEING
 COMPONENT
 MAINTENANCE MANUAL

FIG. & ITEM	PART NO.	AIRLINE PART NUMBER	NOMENCLATURE	EFF CODE	QTY PER ASSY
08-35	MS21044N3		1234567 ...NUT- (OPT ITEM 35A) (USED ON ITEM 10D)	U,W,Y ,Z,AA ,AE-A H,AL, AN AQ-BA ,BE,B F,B M-BV BX-BZ ,CB-C R,CT, CZ,DF ,DG DK,DN ,DP,D S-ES	1
-35A	2604535		...NUT- (V55284) (USED ON ITEM 10D)	U,W,Y ,Z,AA ,AE-A H,AL, AN AQ-BA ,BE,B F,B M-BV BX-BZ ,CB-C R,CT, CZ,DF ,DG DK,DN ,DP,D S-ES	1

32-21-21

ILLUSTRATED PARTS LIST
 01.101 Page 1094A
 Nov 01/05

FIG. & ITEM	PART NO.	AIRLINE PART NUMBER	NOMENCLATURE 1234567	EFF CODE	QTY PER ASSY
08-40	10-44		...VALVE ASSY-FILL (V91816) (SPEC 60B10055-4) (USED ON ITEMS 10, 10A, 10C, 10E, 10F, 10R, 10X, 11A, 11B, 11C, 11D) (FOR DETAILS SEE FIG. 80)	U,W,Y ,Z,AA ,AE-A H,AL, AN AQ-BA ,BE,B F,B M-BV BX-BZ ,CB-C R,CT, CZ,DF ,DG DK,DN ,DP,D S-ES	1
-40A	10-57		...VALVE ASSY-FILL (V91816) (SPEC 60B10055-2) (USED ON ITEMS 10B, 10G) (FOR DETAILS SEE FIG. 80)	U,W,Y ,Z,AA ,AE-A H,AL, AN AQ-BA ,BE,B F,B M-BV BX-BZ ,CB-C R,CT, CZ,DF ,DG DK,DN ,DP,D S-ES	1

32-21-21

 ILLUSTRATED PARTS LIST
 01.101 Page 1094B
 Nov 01/05

BOEING
 COMPONENT
 MAINTENANCE MANUAL

FIG. & ITEM	PART NO.	AIRLINE PART NUMBER	NOMENCLATURE	EFF CODE	QTY PER ASSY
			1234567		
08- -40B -40C	10-44 10-40		DELETED ...VALVE ASSY-FILL (V91816) (USED ON ITEMS 10U, 10V 10W) (FOR DETAILS SEE FIG. 9)	U,W,Y ,Z,AA ,AE-A H,AL, AN AQ-BA ,BE,B F,B M-BV BX-BZ ,CB-C R,CT, CZ,DF ,DG DK,DN ,DP,D S-ES	1
41	TRJ781-03		...VALVE ASSY-FILL (V07573) (USED ON ITEMS 11)	U,W,Y ,Z,AA ,AE-A H,AL, AN AQ-BA ,BE,B F,B M-BV BX-BZ ,CB-C R,CT, CZ,DF ,DG DK,DN ,DP,D S-ES	2

32-21-21

ILLUSTRATED PARTS LIST
 01.101 Page 1094C
 Nov 01/05

FIG. & ITEM	PART NO.	AIRLINE PART NUMBER	NOMENCLATURE 1234567	EFF CODE	QTY PER ASSY
08-42	4305901040		...HOLDER-PRESSURE SENSOR (VFO217) (SPEC S283U006-5) (USED ON ITEMS 10S, 10T)	U,W,Y ,Z,AA ,AE-A H,AL, AN AQ-BA ,BE,B F,B M-BV BX-BZ ,CB-C R,CT, CZ,DF ,DG DK,DN ,DP,D S-ES	1
45	2602101		...VALVE-TIRE INFLATION (CUSTOMER FURNISHED) (V55284) (USED ON ITEM 10D, 10Z)	U,W,Y ,Z,AA ,AE-A H,AL, AN AQ-BA ,BE,B F,B M-BV BX-BZ ,CB-C R,CT, CZ,DF ,DG DK,DN ,DP,D S-ES	1

32-21-21

 ILLUSTRATED PARTS LIST
 01.101 Page 1094D
 Nov 01/05

BOEING
 COMPONENT
 MAINTENANCE MANUAL

FIG. & ITEM	PART NO.	AIRLINE PART NUMBER	NOMENCLATURE 1234567	EFF CODE	QTY PER ASSY
08-47	4305910080		...CAP-SEAL (VF0217) (SPEC S283U006-9) (USED ON ITEMS 10S, 10T)	U,W,Y ,Z,AA ,AE-A H,AL, AN AQ-BA ,BE,B F,B M-BV BX-BZ ,CB-C R,CT, CZ,DF ,DG DK,DN ,DP,D S-ES	1
50	032-744		DELETED		
-50A	S160T201-422		DELETED		
-50B	032-744		DELETED		
50C	039-739-0		DELETED		
50D	APS01214A		DELETED		
-50E	APS01214A		DELETED		
-50F	020-739-0		DELETED		
-50G	APS01222		...TIRE- (VS4233) (SPEC S160T201-422) (OPT DR23224T (VK1037)) (OPT SR23224T (V0940B)) (OPT 039-739-0 (V83187)) (USED ON ITEMS 10E, 10T, 10U, 11B)	U,W,Y ,Z,AA ,AE-A H,AL, AN AQ-BA ,BE,B F,B M-BV BX-BZ ,CB-C R,CT, CZ,DF ,DG DK,DN ,DP,D S-ES	1

32-21-21

ILLUSTRATED PARTS LIST
 01.101 Page 1094E
 Nov 01/05

FIG. & ITEM	PART NO.	AIRLINE PART NUMBER	NOMENCLATURE 1234567	EFF CODE	QTY PER ASSY
08-50H	S0077A		...TIRE-(H37X14-15) (VS5825) (SPEC S160T201-412) (OPT 032-744 (V03481)) (OPT 375K22-1 (V73842)) (OPT APS01214 (VS4233)) (OPT APS01214A (VS4233)) (OPT DR23220T (VK1037)) (OPT DR23221T (V0940B)) (OPT DR23222T (V0940B)) (USED ON ITEMS 10, 10B, 10C, 10D, 10F, 10G, 10R, 10S, 10W, 10X, 10Y, 10Z, 11)	U,W,Y ,Z,AA ,AE-A H,AL, AN AQ-BA ,BE,B F,B M-BV BX-BZ ,CB-C R,CT, CZ,DF ,DG DK,DN ,DP,D S-ES	1
-50J	S0077A		...TIRE-(H37X14-15) (CUSTOMER FURNISHED) (VS5825) (SPEC S160T201-412) (OPT 032-744 (V03481)) (OPT 375K22-1 (V73842)) (OPT APS01214 (VS4233)) (OPT APS01214A (VS4233)) (OPT DR23220T (VK1037)) (OPT DR23221T (V0940B)) (OPT DR23222T (V0940B)) (USED ON ITEMS 10A, 10V, 11C, 11D)	U,W,Y ,Z,AA ,AE-A H,AL, AN AQ-BA ,BE,B F,B M-BV BX-BZ ,CB-C R,CT, CZ,DF ,DG DK,DN ,DP,D S-ES	1

32-21-21

 ILLUSTRATED PARTS LIST
 01.101 Page 1094F
 Nov 01/05

BOEING
 COMPONENT
 MAINTENANCE MANUAL

FIG. & ITEM	PART NO.	AIRLINE PART NUMBER	NOMENCLATURE	EFF CODE	QTY PER ASSY
R 08-50K	DR23225T		1234567 ...TIRE- (VU8018) (SPEC S160T201-423) (OPT 020-739-0 (0A1K8)) (USED ON ITEM 11A)	U,W,Y ,Z,AA ,AE-A H,AL, AN AQ-BA ,BE,B F,B M-BV BX-BZ ,CB-C R,CT, CZ,DF ,DG DK,DN ,DP,D S-ES	1
55	QC34191-1		...PLACARD-TIRE CHANGE (CUSTOMER FURNISHED) (VZ0268) (USED ON ITEM 10D, 10Z)	U,W,Y ,Z,AA ,AE-A H,AL, AN AQ-BA ,BE,B F,B M-BV BX-BZ ,CB-C R,CT, CZ,DF ,DG DK,DN ,DP,D S-ES	1

32-21-21

ILLUSTRATED PARTS LIST
 01.101 Page 1094G
 Nov 01/05

FIG. & ITEM	PART NO.	AIRLINE PART NUMBER	NOMENCLATURE	EFF CODE	QTY PER ASSY
08-60	166T0101-1		1234567 ..WHEEL EQUIPMENT ASSY- (USED ON ITEMS 5L, 5M, 6N)	U,W,Y ,Z,AA ,AE-A H,AL, AN AQ-BA ,BE,B F,B M-BV BX-BZ ,CB-C R,CT, CZ,DF ,DG DK,DN ,DP,D S-ES	1
65 65A	BACB30NF4-8 NAS6704-8		DELETED ...BOLT	U,W,Y ,Z,AA ,AE-A H,AL, AN AQ-BA ,BE,B F,B M-BV BX-BZ ,CB-C R,CT, CZ,DF ,DG DK,DN ,DP,D S-ES	3

32-21-21

 ILLUSTRATED PARTS LIST
 01.101 Page 1094H
 Nov 01/05

BOEING
 COMPONENT
 MAINTENANCE MANUAL

FIG. & ITEM	PART NO.	AIRLINE PART NUMBER	NOMENCLATURE	EFF CODE	QTY PER ASSY
08- 70 75 75A	BACB30NF4-6 AN960JD416 BACW10BN4C		1234567 DELETED DELETED ...WASHER	U,W,Y ,Z,AA ,AE-A H,AL, AN AQ-BA ,BE,B F,B M-BV BX-BZ ,CB-C R,CT, CZ,DF ,DG DK,DN ,DP,D S-ES	6
80	MS21042L4		...NUT	U,W,Y ,Z,AA ,AE-A H,AL, AN AQ-BA ,BE,B F,B M-BV BX-BZ ,CB-C R,CT, CZ,DF ,DG DK,DN ,DP,D S-ES	3

32-21-21

ILLUSTRATED PARTS LIST
 01.101 Page 1094I
 Nov 01/05

FIG. & ITEM	PART NO.	AIRLINE PART NUMBER	NOMENCLATURE 1234567	EFF CODE	QTY PER ASSY
08- 85 85A	166T0200-1 166T0101-102		DELETED ...HUBCAP ASSY	U,W,Y ,Z,AA ,AE-A H,AL, AN AQ-BA ,BE,B F,B M-BV BX-BZ ,CB-C R,CT, CZ,DF ,DG DK,DN ,DP,D S-ES	1
90 90A	NAS6703H7 BACB30NM3K6		DELETEDBOLT	U,W,Y ,Z,AA ,AE-A H,AL, AN AQ-BA ,BE,B F,B M-BV BX-BZ ,CB-C R,CT, CZ,DF ,DG DK,DN ,DP,D S-ES	2

32-21-21

 ILLUSTRATED PARTS LIST
 01.101 Page 1094J
 Nov 01/05

BOEING
 COMPONENT
 MAINTENANCE MANUAL

FIG. & ITEM	PART NO.	AIRLINE PART NUMBER	NOMENCLATURE 1234567	EFF CODE	QTY PER ASSY
08- 95 95A	AN960JD10 AN960C10		DELETEDWASHER	U,W,Y ,Z,AA ,AE-A H,AL, AN AQ-BA ,BE,B F,B M-BV BX-BZ ,CB-C R,CT, CZ,DF ,DG DK,DN ,DP,D S-ES	2
100 100A	MS21042L3 H52732-3CM		DELETEDNUT- (V15653) (SPEC BACN10YR3CM) (OPT PLH53CM (V62554))	U,W,Y ,Z,AA ,AE-A H,AL, AN AQ-BA ,BE,B F,B M-BV BX-BZ ,CB-C R,CT, CZ,DF ,DG DK,DN ,DP,D S-ES	2

32-21-21

ILLUSTRATED PARTS LIST
 01.101 Page 1094K
 Nov 01/05

FIG. & ITEM	PART NO.	AIRLINE PART NUMBER	NOMENCLATURE 1234567	EFF CODE	QTY PER ASSY
08-102	166T0200-3	HUBCAP	U,W,Y ,Z,AA ,AE-A H,AL, AN AQ-BA ,BE,B F,B M-BV BX-BZ ,CB-C R,CT, CZ,DF ,DG DK,DN ,DP,D S-ES	1
103	166T0202-1	PIN-DRIVE	U,W,Y ,Z,AA ,AE-A H,AL, AN AQ-BA ,BE,B F,B M-BV BX-BZ ,CB-C R,CT, CZ,DF ,DG DK,DN ,DP,D S-ES	1

32-21-21

 ILLUSTRATED PARTS LIST
 01.101 Page 1094L
 Nov 01/05

BOEING
 COMPONENT
 MAINTENANCE MANUAL

FIG. & ITEM	PART NO.	AIRLINE PART NUMBER	NOMENCLATURE	EFF CODE	QTY PER ASSY
08-105	163U6010-2		1234567 ...GROMMET	U,W,Y ,Z,AA ,AE-A H,AL, AN AQ-BA ,BE,B F,B M-BV BX,BZ ,CB-C R,CT, CZ,DF ,DG DK,DN ,DP,D S-ES	1
110	163U6009-3		...SPACER	U,W,Y ,Z,AA ,AE-A H,AL, AN AQ-BA ,BE,B F,B M-BV BX-BZ ,CB-C R,CT, CZ,DF ,DG DK,DN ,DP,D S-ES	1

32-21-21

ILLUSTRATED PARTS LIST
 01.101 Page 1094M
 Nov 01/05

FIG. & ITEM	PART NO.	AIRLINE PART NUMBER	NOMENCLATURE 1234567	EFF CODE	QTY PER ASSY
08-115	4305990060		...SENSOR-PRESSURE (VFO217) (SPEC S283T024-3)	U,W,Y ,Z,AA ,AE-A H,AL, AN AQ-BA ,BE,B F,B M-BV BX-BZ ,CB-C R,CT, CZ,DF ,DG DK,DN ,DP,D S-ES	1
120 120A	AN960JD416 BACW10BN4C		DELETED ...WASHER	U,W,Y ,Z,AA ,AE-A H,AL, AN AQ-BA ,BE,B F,B M-BV BX-BZ ,CB-C R,CT, CZ,DF ,DG DK,DN ,DP,D S-ES	8

32-21-21

 ILLUSTRATED PARTS LIST
 01.101 Page 1094N
 Nov 01/05

BOEING
 COMPONENT
 MAINTENANCE MANUAL

FIG. & ITEM	PART NO.	AIRLINE PART NUMBER	NOMENCLATURE	EFF CODE	QTY PER ASSY
08-125	MS21042L4		1234567 ...NUT	U,W,Y ,Z,AA ,AE-A H,AL, AN AQ-BA ,BE,B F,B M-BV BX-BZ ,CB-C R,CT, CZ,DF ,DG DK,DN ,DP,D S-ES	4
127	166T0203-1		...WEIGHT-BALANCE	U,W,Y ,Z,AA ,AE-A H,AL, AN AQ-BA ,BE,B F,B M-BV BX-BZ ,CB-C R,CT, CZ,DF ,DG DK,DN ,DP,D S-ES	2

32-21-21

ILLUSTRATED PARTS LIST
 01.101 Page 10940
 Nov 01/05

FIG. & ITEM	PART NO.	AIRLINE PART NUMBER	NOMENCLATURE 1234567	EFF CODE	QTY PER ASSY
08-130	166T0201-1		...SPIDER ASSY	U,W,Y ,Z,AA ,AE-A H,AL, AN AQ-BA ,BE,B F,B M-BV BX-BZ ,CB-C R,CT, CZ,DF ,DG DK,DN ,DP,D S-ES	1
135	166T0201-4	SEAL	U,W,Y ,Z,AA ,AE-A H,AL, AN AQ-BA ,BE,B F,B M-BV BX-BZ ,CB-C R,CT, CZ,DF ,DG DK,DN ,DP,D S-ES	1

32-21-21

 ILLUSTRATED PARTS LIST
 01.101 Page 1094P
 Nov 01/05

BOEING
 COMPONENT
 MAINTENANCE MANUAL

FIG. & ITEM	PART NO.	AIRLINE PART NUMBER	NOMENCLATURE	EFF CODE	QTY PER ASSY
08-140	166T0201-2		1234567SPIDER	U,W,Y ,Z,AA ,AE-A H,AL, AN AQ-BA ,BE,B F,B M-BV BX-BZ ,CB-C R,CT, CZ,DF ,DG DK,DN ,DP,D S-ES	1
145	BACB30NF4-12		...BOLT	U,W,Y ,Z,AA ,AE-A H,AL, AN AQ-BA ,BE,B F,B M-BV BX-BZ ,CB-C R,CT, CZ,DF ,DG DK,DN ,DP,D S-ES	2

32-21-21

ILLUSTRATED PARTS LIST
 01.101 Page 1094Q
 Nov 01/05

FIG. & ITEM	PART NO.	AIRLINE PART NUMBER	NOMENCLATURE	EFF CODE	QTY PER ASSY
08- 150 150A	AN960JD416L BACW10BN4C		DELETED ...WASHER	U,W,Y ,Z,AA ,AE-A H,AL, AN AQ-BA ,BE,B F,B M-BV BX,BZ ,CB-C R,CT, CZ,DF ,DG DK,DN ,DP,D S-ES	2
155	MS21042L4		...NUT	U,W,Y ,Z,AA ,AE-A H,AL, AN AQ-BA ,BE,B F,B M-BV BX-BZ ,CB-C R,CT, CZ,DF ,DG DK,DN ,DP,D S-ES	2

32-21-21

 ILLUSTRATED PARTS LIST
 01.101 Page 1094R
 Nov 01/05

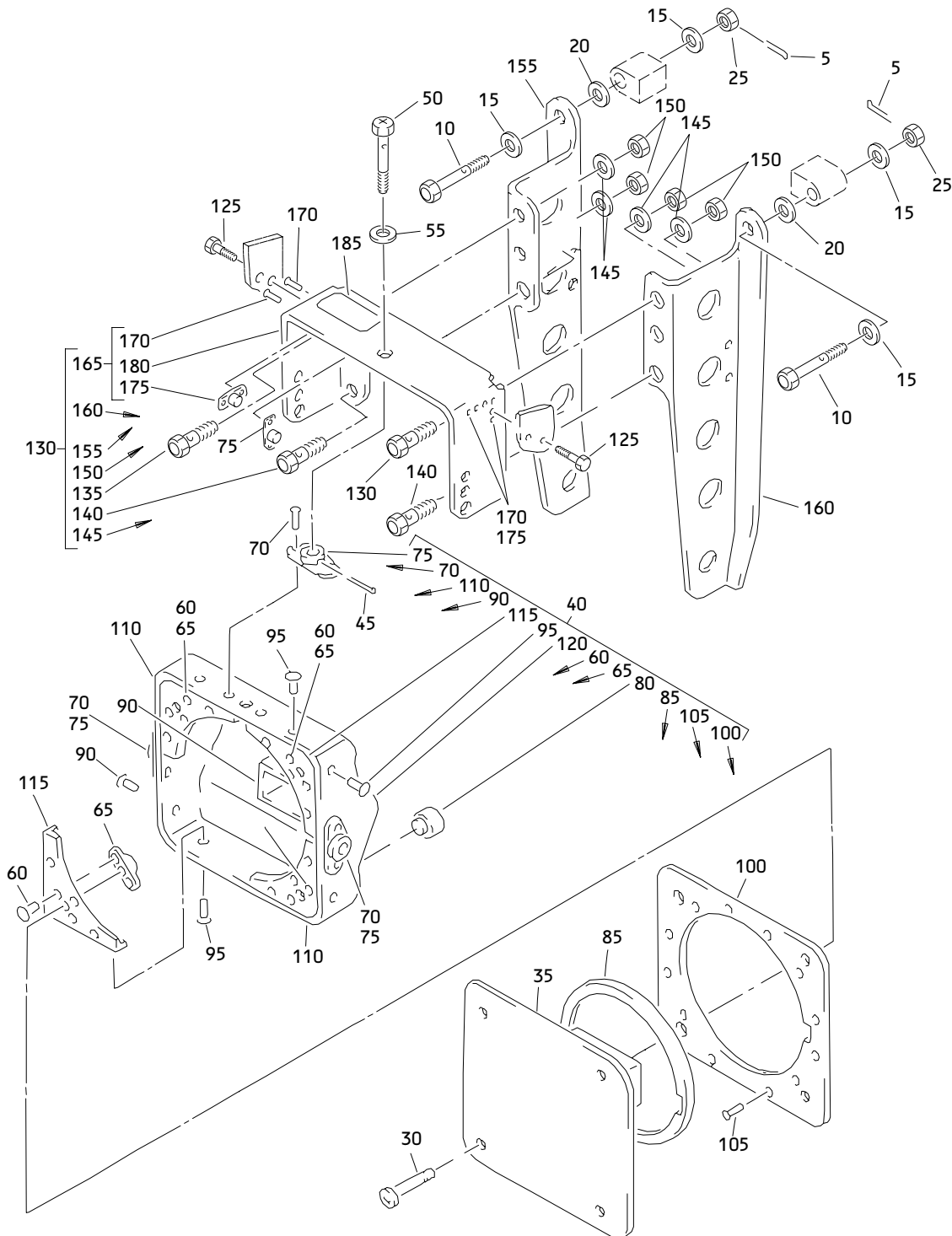

BOEING
 COMPONENT
 MAINTENANCE MANUAL

FIG. & ITEM	PART NO.	AIRLINE PART NUMBER	NOMENCLATURE 1234567	EFF CODE	QTY PER ASSY
08-160	4305890040		...UNIT-INTERFACE WHEEL (VF0217) (SPEC S283T024-2)	U,W,Y ,Z,AA ,AE-A H,AL, AN AQ-BA ,BE,B F,B M-BV BX-BZ ,CB-C R,CT, CZ,DF ,DG DK,DN ,DP,D S-ES	1
165	ZZY10R5P6L		DELETED		

- Item Not Illustrated

32-21-21

ILLUSTRATED PARTS LIST
 01.101 Page 1094S
 Nov 01/05



Light Installation - Taxi
 Figure 9

32-21-21

ILLUSTRATED PARTS LIST
 01.101 Page 1094T
 Nov 01/05

BOEING
 COMPONENT
 MAINTENANCE MANUAL

FIG. & ITEM	PART NO.	AIRLINE PART NUMBER	NOMENCLATURE	EFF CODE	QTY PER ASSY
09-1	284T0235-5		LIGHT INSTL-TAXI	A-BA, BC-BF ,BM-B V,B X-BZ CB-CR ,CT,C Z,DB, DD,DF ,DK DN-DP ,DS- EA,E C-EH, EK-ES	RF
5	MS24665-287		.PIN-COTTER	A-BA, BC-BF ,BM-B V,B X-BZ CB-CR ,CT,C Z,DB, DD,DF ,DK DN-DP ,DS- EA,E C-EH, EK-ES	2

32-21-21

ILLUSTRATED PARTS LIST
 01.101 Page 1094U
 Nov 01/05

FIG. & ITEM	PART NO.	AIRLINE PART NUMBER	NOMENCLATURE 1234567	EFF CODE	QTY PER ASSY
09-10	BACB30NF6D22		.BOLT	A-BA, BC-BF ,BM-B V,B X-BZ CB-CR ,CT,C Z,DB, DD,DF ,DK DN-DP ,DS- EA,E C-EH, EK-ES	2
15	AN960PD616		.WASHER	A-BA, BC-BF ,BM-B V,B X-BZ CB-CR ,CT,C Z,DB, DD,DF ,DK DN-DP ,DS- EA,E C-EH, EK-ES	4
20	AN960-616L		.WASHER	A-BA, BC-BF ,BM-B V,B X-BZ CB-CR ,CT,C Z,DB, DD,DF ,DK DN-DP ,DS- EA,E C-EH, EK-ES	2

32-21-21

 ILLUSTRATED PARTS LIST
 01.101 Page 1094V
 Nov 01/05

BOEING
 COMPONENT
 MAINTENANCE MANUAL

FIG. & ITEM	PART NO.	AIRLINE PART NUMBER	NOMENCLATURE	EFF CODE	QTY PER ASSY
09-25	BACN10JD6		.NUT	A-BA, BC-BF ,BM-B V,B X-BZ CB-CR ,CT,C Z,DB, DD,DF ,DK DN-DP ,DS- EA,E C-EH, EK-ES	2
30	NAS1801-3-7		.SCREW	A-BA, BC-BF ,BM-B V,B X-BZ CB-CR ,CT,C Z,DB, DD,DF ,DK DN-DP ,DS- EA,E C-EH, EK-ES	4
35	284T0235-6		.COVER	A-BA, BC-BF ,BM-B V,B X-BZ CB-CR ,CT,C Z,DB, DD,DF ,DK DN-DP ,DS- EA,E C-EH, EK-ES	1

32-21-21

ILLUSTRATED PARTS LIST
 01.101 Page 1094W
 Nov 01/05

FIG. & ITEM	PART NO.	AIRLINE PART NUMBER	NOMENCLATURE	EFF CODE	QTY PER ASSY
09-40	69-21227-3		.LIGHT ASSY-TAXI	A-BA, BC-BF ,BM-B V,B X-BZ CB-CR ,CT,C Z,DB, DD,DF ,DK DN-DP ,DS- EA,E C-EH, EK-ES	1
45	MS24665-210		.PIN-COTTER	A-BA, BC-BF ,BM-B V,B X-BZ CB-CR ,CT,C Z,DB, DD,DF ,DK DN-DP ,DS- EA,E C-EH, EK-ES	AR
50	NAS1801-4D8		.SCREW	A-BA, BC-BF ,BM-B V,B X-BZ CB-CR ,CT,C Z,DB, DD,DF ,DK DN-DP ,DS- EA,E C-EH, EK-ES	3

32-21-21

 ILLUSTRATED PARTS LIST
 01.101 Page 1094X
 Nov 01/05

BOEING
 COMPONENT
 MAINTENANCE MANUAL

FIG. & ITEM	PART NO.	AIRLINE PART NUMBER	NOMENCLATURE	EFF CODE	QTY PER ASSY
09-55	AN960PD416		1234567 .WASHER	A-BA, BC-BF ,BM-B V,B X-BZ CB-CR ,CT,C Z,DB, DD,DF ,DK DN-DP ,DS- EA,E C-EH, EK-ES	3
60	MS20426D3		-----*----- ..RIVET- (SIZE DETERMINE ON INST)	A-BA, BC-BF ,BM-B V,B X-BZ CB-CR ,CT,C Z,DB, DD,DF ,DK DN-DP ,DS- EA,E C-EH, EK-ES	8

32-21-21

ILLUSTRATED PARTS LIST
 01.101 Page 1094Y
 Nov 01/05

FIG. & ITEM	PART NO.	AIRLINE PART NUMBER	NOMENCLATURE	EFF CODE	QTY PER ASSY
09-65	NAS680A3		1234567 ..NUTPLATE	A-BA, BC-BF ,BM-B V,B X-BZ CB-CR ,CT,C Z,DB, DD,DF ,DK DN-DP ,DS- EA,E C-EH, EK-ES	4
70	MS20426D4		..RIVET- (SIZE DETERMINE ON INST)	A-BA, BC-BF ,BM-B V,B X-BZ CB-CR ,CT,C Z,DB, DD,DF ,DK DN-DP ,DS- EA,E C-EH, EK-ES	6

32-21-21

 ILLUSTRATED PARTS LIST
 01.101 Page 1094Z
 Nov 01/05

BOEING
 COMPONENT
 MAINTENANCE MANUAL

FIG. & ITEM	PART NO.	AIRLINE PART NUMBER	NOMENCLATURE	EFF CODE	QTY PER ASSY
09-75	3-93398		1234567 ..FITTING	A-BA, BC-BF ,BM-B V,B X-BZ CB-CR ,CT,C Z,DB, DD,DF ,DK DN-DP ,DS- EA,E C-EH, EK-ES	3
80	A7124-1		..BUSHING- (V72914)	A-BA, BC-BF ,BM-B V,B X-BZ CB-CR ,CT,C Z,DB, DD,DF ,DK DN-DP ,DS- EA,E C-EH, EK-ES	1

32-21-21

ILLUSTRATED PARTS LIST
 01.101 Page 1095
 Nov 01/05

FIG. & ITEM	PART NO.	AIRLINE PART NUMBER	NOMENCLATURE	EFF CODE	QTY PER ASSY
09-85	9-65897-3		..GASKET	A-BA, BC-BF ,BM-B V,B X-BZ CB-CR ,CT,C Z,DB, DD,DF ,DK DN-DP ,DS- EA,E C-EH, EK-ES	1
90	9-65897-4		..INSULATOR	A-BA, BC-BF ,BM-B V,B X-BZ CB-CR ,CT,C Z,DB, DD,DF ,DK DN-DP ,DS- EA,E C-EH, EK-ES	1
95	MS20426D4		..RIVET- (SIZE DETERMINE ON INST)	A-BA, BC-BF ,BM-B V,B X-BZ CB-CR ,CT,C Z,DB, DD,DF ,DK DN-DP ,DS- EA,E C-EH, EK-ES	8

32-21-21

 ILLUSTRATED PARTS LIST
 01.101 Page 1096
 Nov 01/05

BOEING
 COMPONENT
 MAINTENANCE MANUAL

FIG. & ITEM	PART NO.	AIRLINE PART NUMBER	NOMENCLATURE	EFF CODE	QTY PER ASSY
09-100	9-65897-2		1234567 ..FACEPLATE	A-BA, BC-BF ,BM-B V,B X-BZ CB-CR ,CT,C Z,DB, DD,DF ,DK DN-DP ,DS- EA,E C-EH, EK-ES	1
105	MS20426D4		..RIVET- (SIZE DETERMINE ON INST)	A-BA, BC-BF ,BM-B V,B X-BZ CB-CR ,CT,C Z,DB, DD,DF ,DK DN-DP ,DS- EA,E C-EH, EK-ES	12
110	3-93916-2		..SUPPORT	A-BA, BC-BF ,BM-B V,B X-BZ CB-CR ,CT,C Z,DB, DD,DF ,DK DN-DP ,DS- EA,E C-EH, EK-ES	2

32-21-21

ILLUSTRATED PARTS LIST
 01.101 Page 1096A
 Nov 01/05

FIG. & ITEM	PART NO.	AIRLINE PART NUMBER	NOMENCLATURE	EFF CODE	QTY PER ASSY
09-115	3-93916-1		..SUPPORT	A-BA, BC-BF ,BM-B V,B X-BZ CB-CR ,CT,C Z,DB, DD,DF ,DK DN-DP ,DS- EA,E C-EH, EK-ES	2
120	69-21227-2		..HOUSING	A-BA, BC-BF ,BM-B V,B X-BZ CB-CR ,CT,C Z,DB, DD,DF ,DK DN-DP ,DS- EA,E C-EH, EK-ES	1
125	NAS1802-3-6		.SCREW	A-BA, BC-BF ,BM-B V,B X-BZ CB-CR ,CT,C Z,DB, DD,DF ,DK DN-DP ,DS- EA,E C-EH, EK-ES	4

32-21-21

 ILLUSTRATED PARTS LIST
 01.101 Page 1096B
 Nov 01/05

BOEING
 COMPONENT
 MAINTENANCE MANUAL

FIG. & ITEM	PART NO.	AIRLINE PART NUMBER	NOMENCLATURE	EFF CODE	QTY PER ASSY
09-130	284T0235-4		.SUPPORT ASSY	A-BA, BC-BF ,BM-B V,B X-BZ CB-CR ,CT,C Z,DB, DD,DF ,DK DN-DP ,DS- EA,E C-EH, EK-ES	1
135	BACB30NF4D5		..BOLT	A-BA, BC-BF ,BM-B V,B X-BZ CB-CR ,CT,C Z,DB, DD,DF ,DK DN-DP ,DS- EA,E C-EH, EK-ES	2
140	BACB30NF4D4		..BOLT	A-BA, BC-BF ,BM-B V,B X-BZ CB-CR ,CT,C Z,DB, DD,DF ,DK DN-DP ,DS- EA,E C-EH, EK-ES	4

32-21-21

ILLUSTRATED PARTS LIST
 01.101 Page 1096C
 Nov 01/05

FIG. & ITEM	PART NO.	AIRLINE PART NUMBER	NOMENCLATURE	EFF CODE	QTY PER ASSY
09-145	AN96OPD416		..WASHER	A-BA, BC-BF ,BM-B V,B X-BZ CB-CR ,CT,C Z,DB, DD,DF ,DK DN-DP ,DS- EA,E C-EH, EK-ES	6
150	BACN10JD4		..NUT	A-BA, BC-BF ,BM-B V,B X-BZ CB-CR ,CT,C Z,DB, DD,DF ,DK DN-DP ,DS- EA,E C-EH, EK-ES	6
155	284T0236-2		..SUPPORT-ZEE	A-BA, BC-BF ,BM-B V,B X-BZ CB-CR ,CT,C Z,DB, DD,DF ,DK DN-DP ,DS- EA,E C-EH, EK-ES	1

32-21-21

 ILLUSTRATED PARTS LIST
 01.101 Page 1096D
 Nov 01/05


BOEING
 COMPONENT
 MAINTENANCE MANUAL

FIG. & ITEM	PART NO.	AIRLINE PART NUMBER	NOMENCLATURE 1234567	EFF CODE	QTY PER ASSY
09-160	284T0236-3		..SUPPORT-ZEE	A-BA, BC-BF ,BM-B V,B X-BZ CB-CR ,CT,C Z,DB, DD,DF ,DK DN-DP ,DS- EA,E C-EH, EK-ES	1
165	284T0237-2		..BRACKET ASSY	A-BA, BC-BF ,BM-B V,B X-BZ CB-CR ,CT,C Z,DB, DD,DF ,DK DN-DP ,DS- EA,E C-EH, EK-ES	1
170	BACR15BA3AD		...RIVET- (SIZE DETERMINE ON INST)	A-BA, BC-BF ,BM-B V,B X-BZ CB-CR ,CT,C Z,DB, DD,DF ,DK DN-DP ,DS- EA,E C-EH, EK-ES	8

32-21-21

 ILLUSTRATED PARTS LIST
 01.101 Page 1096E
 Nov 01/05

FIG. & ITEM	PART NO.	AIRLINE PART NUMBER	NOMENCLATURE	EFF CODE	QTY PER ASSY
09-175	BRFM20A3		1234567 ...NUTPLATE- (V52828) (SPEC BACN10JN3) (OPT MF1000-3BAC (V15653)) (OPT NS103218-02 (V80539)) (OPT RMF9201M3 (V72962)) (OPT VN252A02 (V92215)) (OPT MF1000-3BAC (V15653)) (OPT MF53049-3 (V15653))	A-BA, BC-BF ,BM-B V,B X-BZ CB-CR ,CT,C Z,DB, DD,DF ,DK DN-DP ,DS- EA,E C-EH, EK-ES	4
180	284T0237-1		...BRACKET	A-BA, BC-BF ,BM-B V,B X-BZ CB-CR ,CT,C Z,DB, DD,DF ,DK DN-DP ,DS- EA,E C-EH, EK-ES	1

32-21-21

 ILLUSTRATED PARTS LIST
 01.101 Page 1096F
 Nov 01/05

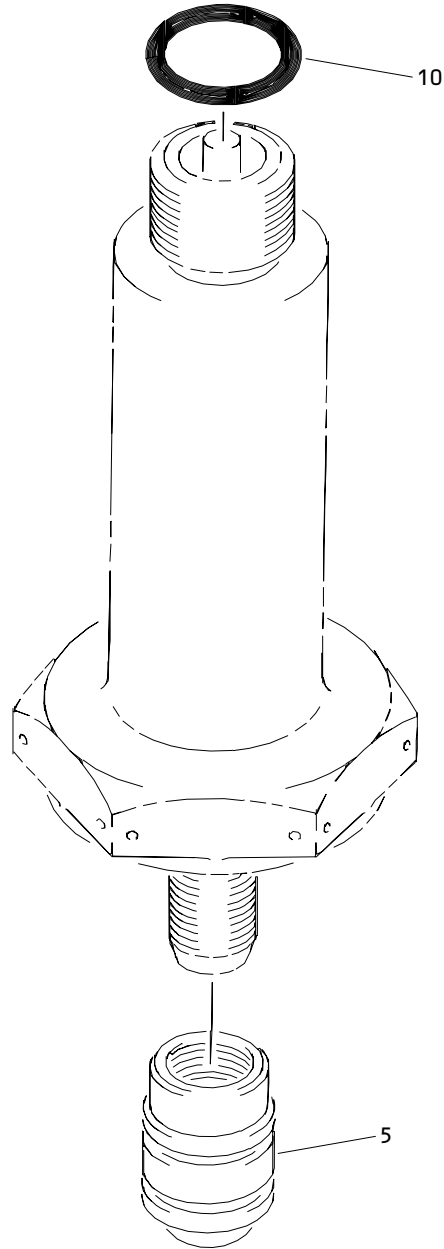

BOEING
 COMPONENT
 MAINTENANCE MANUAL

FIG. & ITEM	PART NO.	AIRLINE PART NUMBER	NOMENCLATURE	EFF CODE	QTY PER ASSY
09-185	BAC27TEX2349		1234567 MARKER-TAXI LIGHT L59 250W USE LAMP 4551	A-BA, BC-BF ,BM-B V,B X-BZ CB-CR ,CT,C Z,DB, DD,DF ,DK DN-DP ,DS- EA,E C-EH, EK-ES	1

- Item Not Illustrated

32-21-21

ILLUSTRATED PARTS LIST
 01.101 Page 1096G
 Nov 01/05



Fill Valve Assembly
Figure 80

32-21-21

ILLUSTRATED PARTS LIST
01.101 Page 1096H
Nov 01/05

BOEING
 COMPONENT
 MAINTENANCE MANUAL

FIG. & ITEM	PART NO.	AIRLINE PART NUMBER	NOMENCLATURE	EFF CODE	QTY PER ASSY
80- -1	10-44		1234567 VALVE ASSY-FILL (V91816) (SPEC 60B10055-4)	A,B, D-G, J-Q, S-AB, AD-AL AN-BA ,BE,B F,B M-BV, BX-BZ CB-CR ,CT,C Z,DF, DG,DK ,DN DP,D S-ES	RF
-1A	10-57		VALVE ASSY-FILL (V91816) (SPEC 60B10055-2)	C,H,R ,U, W-AA, AC,A E-AH, AL AN,A Q-BA, BE,BF BM-BV ,BX-B Z,C B-CR, CT,CZ DF,DG ,DK,D N,DP, DS-ES	RF

32-21-21

ILLUSTRATED PARTS LIST
 01.101 Page 1096I
 Nov 01/05

FIG. & ITEM	PART NO.	AIRLINE PART NUMBER	NOMENCLATURE	EFF CODE	QTY PER ASSY
80-5	10-6017		1234567 .CAP- (V91816) (USED ON ITEM 1)	A,B, D-G, J-Q, S-AB, AD-AL AN-BA ,BE,B F,B M-BV, BX-BZ CB-CR ,CT,C Z,DF, DG,DK ,DN DP,D S-ES	1
-5A	10-6015		.CAP- (V91816) (USED ON ITEM 1A)	C,H,R ,U, W-AA, AC,A E-AH, AL AN,A Q-BA, BE,BF BM-BV ,BX-B Z,C B-CR, CT,CZ DF,DG ,DK,D N,DP, DS-ES	1

32-21-21

 ILLUSTRATED PARTS LIST
 01.101 Page 1096J
 Nov 01/05


BOEING
 COMPONENT
 MAINTENANCE MANUAL

FIG. & ITEM	PART NO.	AIRLINE PART NUMBER	NOMENCLATURE 1234567	EFF CODE	QTY PER ASSY
80- 10	10-4905-24		.PACKING- (V91816)	A-AL, AN-BA ,BE,B F,B M-BV BX-BZ ,CB-C R,CT, CZ,DF ,DG DK,DN ,DP,D S-ES	1

- Item Not Illustrated

32-21-21

ILLUSTRATED PARTS LIST
 01.101 Page 1096K
 Nov 01/05